

Integration

Exploded View & Part List

Product : Refrigerator (300L class)

- MODEL :**
- * FR-4501K _____
 - * FR-4501N _____
 - * FR-4502K _____
 - * FR-4502N _____
 - * FR-4503N _____
 - * FR-4504K _____
 - * FR-4505K _____
 - * FR-4506K _____
 - * FR-4506N _____
 - * _____
 - * _____
 - * _____
 - * _____
 - * _____
 - * _____
 - * _____
 - * _____

✓ Caution

: In this Manual, some parts can be changed for improving, their performance without notice in the parts list. So, if you need the latest parts information, please refer to PPL(Parts Price List) in Service Information Center(<http://svc.dwe.co.kr>).

1-2. PART LIST

1) FR-4501K (# : Refer to PPL in <http://svc.dwe.co.kr>)

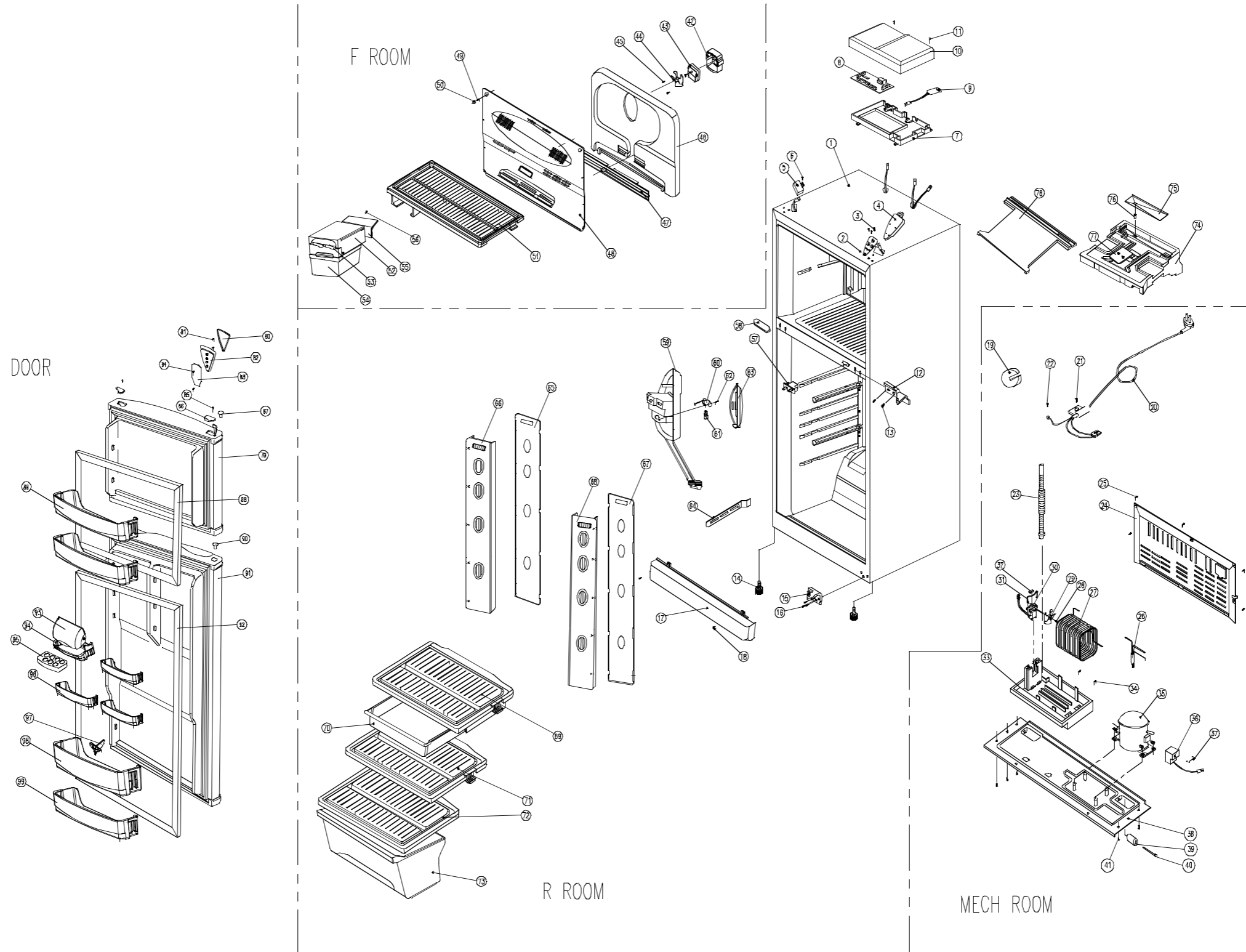
NO	PART CODE	PART NAME	PART DESCRIPTION	QTY	REMARK
1	3010031200	ASSY CAB URT	FRM(P)-371	1	
2	3012911500	HINGE*T	SPCC T2	1	
3	3012905400	SPECIAL BOLT T/U	6X22 SWCH22A(WH)	3	
4	3011449800	COVER *T HI	HIPS	1	
5	7112401211	SCREW TAPPING	T1TRS 4X12 MFZN	1	
6	3012911400	HINGE *M AS	DC-2 ZN	1	
7	3012101300	FOOT ADJUST AS	PP	2	
8	3012911300	HINGE *U AS	SPHC-H T4	1	
9	3012905400	SPECIAL BOLT T/U	6X22 SWCH22A(WH)	3	
10	3011450200	COVER CAB BRKT	PP	1	
11	7112401211	SCREW TAPPING	T1TRS 4X12 MFZN	2	
12	3010103700	ABSORBER SUC P	NR	1	
13	3011302012	CORD POWER AS		1	250V/16A
14	7112401211	SCREW TAPPING	T1TRS 4X12 MFZN	1	
15	7001400865	SCREW MACHINE	PAN 4X8 BSNI	1	
16	3013202700	HOSE DRN B	PP	1	
17	3012405800	GRILLE	SBHG1	1	
18	7112401211	SCREW TAPPING	T1TRS 4X12 MFZN	5	
19	3016805500	DRYER AS		1	
20	3014433500	PIPE WICON	TSW OD4.76XT0.7XL14560	1	
21	3011200400	CLAMP FAN	SUS304	1	
22	3011800400	FAN		1	
23		MOTOR C		1	
24	3012004400	FIXTURE C MOTR	SUS	1	
25	3010102100	ABSORBER C MOTR	*NR,FRB-5350NT*	1	
26	3011161900	CASE VAPORI	PP	1	
27	7112401211	SCREW TAPPING	T1TRS 4X12 MFZN	2	
28		COMPRESSOR		1	
29	3018116610	SWITCH P-RELAY AS		1	
30	3012610000	CLAMP BRAND RELAY	SK-5 T0.7	1	
31	3010318400	BASE COMP	SBHG1	1	
32	3016500000	CASTER *B	PP OD36XL37	2	
33	3014902900	SHAFT CASTER *B	*SPH, T1, OD6XL51*	2	
34	3016003300	SPECIAL BOLT	T2 M6.5X20	4	
35	3012007900	FIXTURE MOTR B	PP	1	
36		MOTOR F		1	
37	3011802200	FAN	ABS(OD110)	1	
38	7112401211	SCREW TAPPING	T1TRS 4X12 MFZN	2	
39	3013336310	INSU F LUVR	EPS	1	
40	3013402600	KNOB F CONTL	PP	1	
41	3018910400	LOUVER F	HIPS	1	
42	7112401611	SCREW TAPPING	T1TRS 4X16 MFZN	2	
43	3010924600	CAP F-LUVR	HIPS T2.3	2	
44	3017821600	SHELF F	HIPS T3.0	1	
45	7112401208	SCREW TAPPING	T1 TRS 4X10 SUS	1	

NO	PART CODE	PART NAME	PART DESCRIPTION	QTY	REMARK
46	3012509800	GUIDE TWIST ICE	HIPS	1	
47	3013002300	HOLDER ICE SAS	HIPS	1	
48	3012201900	FRAME ICE CASE SAS		1	
49	3010518900	BOX ICE		1	
50	3018100050	SWITCH DR	DSD-5(220V)	1	
51	3010936100	CAP DV *M HI HOLE	ABS	1	
52	3017903610	SOCKET R LAMP AS		1	
53	3013600080	LAMP AS	240V/15W	1	
54	7121300811	SCREW TAPPING	T2 PAN 3X8 MFZN	1	
55	3013402500	KNOB R CONTL	ABS	1	
56	3011449900	COVER R CONTL BOX	HIPS	1	
57	3012733700	HARNES R-THERMO AS		1	
58	3018301500	THERMOSTAT	GNF-175D	1	
59	3015505200	WINDOW LAMP	PP	1	
60	3011439500	COVER CUBIC	HIPS	4	
61	3017460900	INSU R *S *L	F-PS	1	
62	3018910200	LOUVER R *S *L	PP	1	
63	3017461000	INSU R *S *R	F-PS	1	
64	3018910300	LOUVER R *S *R	PP	1	
65	3017821800	SHELF CHILD	GPPS	1	
66	3011162300	CASE CHILD	GPPS	1	
67	3017822000	SHELF R	GPPS	1	
68	3011451400	COVER VEGETB	GPPS	1	
69	3011162400	CASE VEGETB	GPPS	1	
70	3013336000	INSULATOR F A	EPS	1	
71	3012509900	GUIDE DRN	AL 0.4T	1	
72	3014433400	PIPE DRN	AL 1.0T	1	
73	3012009400	FIXTURE R CONTL COVR	PP	1	
74	3013336100	INSULATOR F B	EPS	1	
75		ASSY F DR		1	
76	3011450400	COVER CAP HOLE B	PP	1	
77	3011450500	COVER T HI HRNS *L	PP	1	
78	7112401211	SCREW TAPPING	T1TRS 4X12 MFZN	1	
79	3012301420	GASKET F DR AS	PVC	1	
80	3019013500	POCKET F	HIPS	2	
81		ASSY R DR		1	
82	3011450300	COVER CAP HOLE A	PP	1	
83	3012301720	GASKET R DR AS	PVC	1	
84	3011451200	COVER DARIY ROOM	GPPS	1	
85	3019012900	POCKET DAIRY	HIPS	1	
86	3011162100	CASE EGG	GPPS	1	
87	3019013100	POCKET SMALL	HIPS	3	
88	3012509600	GUIDE POCKET	HIPS	1	
89	3019013300	POCKET JUMBO	HIPS	1	
90	3019013400	POCKET BOTTLE	HIPS	1	

NO	PART CODE	PART NAME	PART DESCRIPTION	QTY	REMARK
75	30100894A0	ASSY F DOOR	White PCM	1	CFC
	30100894B0		White High-glossy Laminasheet	1	CFC
	30100894C0		Beige PCM	1	CFC
	30100894D0		Beige High-glossy Laminasheet	1	CFC
	30100894E0		Light Gray High-glossy Laminasheet	1	CFC
	30100894F0		Daewoo Silver	1	CFC
	30100894G0		White Embo PCM	1	CFC
	30100894H0		Beige Embo PCM	1	CFC
	30100894J0		White PCM	1	HCFC
	30100894K0		White High-glossy Laminasheet	1	HCFC
	30100894L0		Beige PCM	1	HCFC
	30100894M0		Beige High-glossy Laminasheet	1	HCFC
	30100894N0		Light Gray High-glossy Laminasheet	1	HCFC
	30100894P0		Daewoo Silver	1	HCFC
	30100894Q0		White Embo PCM	1	HCFC
	30100894R0		Beige Embo PCM	1	HCFC
81	30100334A0	ASSY R DOOR	White PCM	1	CFC
	30100334B0		White High-glossy Laminasheet	1	CFC
	30100334C0		Beige PCM	1	CFC
	30100334D0		Beige High-glossy Laminasheet	1	CFC
	30100334E0		Light Gray High-glossy Laminasheet	1	CFC
	30100334H0		Daewoo Silver	1	CFC
	30100334J0		White Embo PCM	1	CFC
	30100334K0		Beige Embo PCM	1	CFC
	30100334L0		White PCM	1	HCFC
	30100334M0		White High-glossy Laminasheet	1	HCFC
	30100334N0		Beige PCM	1	HCFC
	30100334P0		Beige High-glossy Laminasheet	1	HCFC
	30100334Q0		Light Gray High-glossy Laminasheet	1	HCFC
	30100334R0		Daewoo Silver	1	HCFC
	30100334S0		White Embo PCM	1	HCFC
	30100334T0		Beige Embo PCM	1	HCFC
	30100334AK		White PCM	1	Key type CFC
	30100334BK		White High-glossy Laminasheet	1	Key type CFC
	30100334CK		Beige PCM	1	Key type CFC
	30100334DK		Beige High-glossy Laminasheet	1	Key type CFC
	30100334EK		Light Gray High-glossy Laminasheet	1	Key type CFC
	30100334HK		Daewoo Silver	1	Key type CFC
	30100334JK		White Embo PCM	1	Key type CFC
	30100334KK		Beige Embo PCM	1	Key type CFC
	30100334LK		White PCM	1	Key type HCFC
	30100334MK		White High-glossy Laminasheet	1	Key type HCFC
	30100334NK		Beige PCM	1	Key type HCFC
	30100334PK		Beige High-glossy Laminasheet	1	Key type HCFC
	30100334QK		Light Gray High-glossy Laminasheet	1	Key type HCFC
	30100334RK		Daewoo Silver	1	Key type HCFC
	30100334SK		White Embo PCM	1	Key type HCFC
	30100334TK		Beige Embo PCM	1	Key type HCFC

2. FR-4501N

2-1. EXPLODED VIEW



2-2. PART LIST

1) FR-4501N(# : Refer to PPL in <http://svc.dwe.co.kr>)

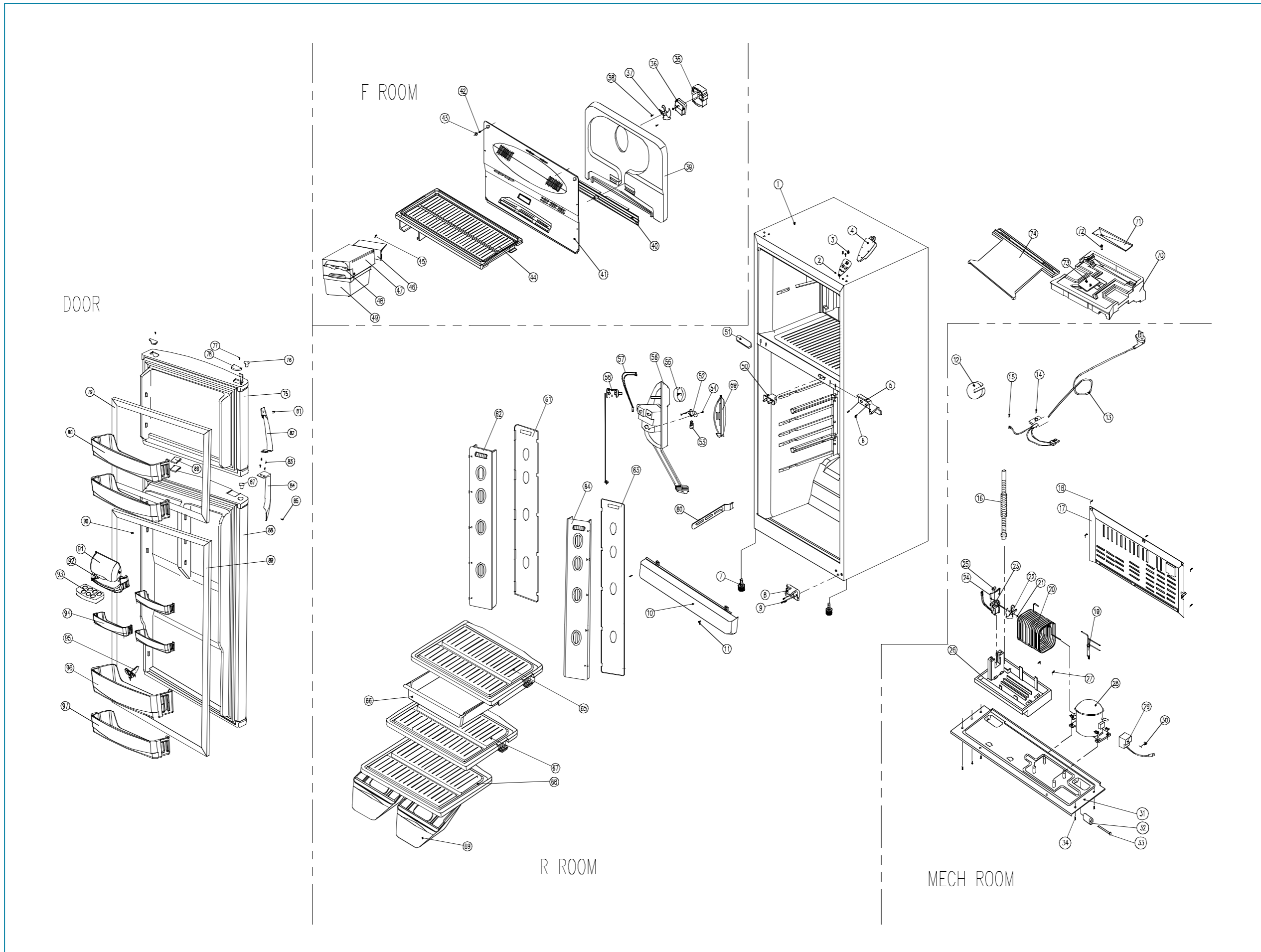
NO	PART CODE	PART NAME	PART DESCRIPTION	Q'TY	REMARK
1	3010031200	ASSY CAB URT	FRM(P)-371	1	
2	3012911500	HINGE *T	SPCC T2	1	
3	3012905400	SPECIAL BOLT T/U	6X22 SWCH22A(WH)	3	
4	3011449800	COVER *T HI	HIPS	1	
5	3011449500	COVER GUIDE L/WIRE	PP	1	
6	7112401211	SCREW TAPPING	T1TRS 4X12 MFZN	1	
7	3010519800	BOX MAIN POWER	PP	1	
8		PCB MAIN AS	PP	1	
9		HARNESS RUN CON		1	
10		COVER M-PCB BOX	PP	1	
11	7112401211	SCREW TAPPING	T1TRS 4X12 MFZN	2	
12	3012911400	HINGE *M AS	DC-2 ZN	1	
13	3016001220	SPECIAL BOLT M	6X20 SWCH22A(WH)	2	
14	3012101300	FOOT ADJUST AS		2	
15	3012911300	HINGE *U AS	SPHC-H T4	1	
16	3012905400	SPECIAL BOLT T/U	6X22 SWCH22A(WH)	3	
17	3011450200	COVER CAB BRKT	PP	1	
18	7112401211	SCREW TAPPING	T1TRS 4X12 MFZN	2	
19	3010103700	ABSORBER SUC P	NR	1	
20	3011302012	CORD POWER AS		1	250V/16A
21	7112401211	SCREW TAPPING	T1TRS 4X12 MFZN	1	
22	7001400865	SCREW MACHINE	PAN 4X8 BSNI	1	
23	3013202700	HOSE DRN B	PP	1	
24	3012405800	GRILLE	SBHG1	1	
25	7112401211	SCREW TAPPING	T1TRS 4X12 MFZN	5	
26	3016805500	DRYER AS		1	
27	3014433500	PIPE WICON	TSW OD4.76XT0.7XL14560	1	
28	3011200400	CLAMP FAN	SUS304	1	
29	3011800400	FAN		1	
30		MOTOR C		1	
31	3012004400	FIXTURE C MOTR	SUS	1	
32	3010102100	ABSORBER C MOTR	*NR,FRB-5350NT*	1	
33	3011161900	CASE VAPORI	PP	1	
34	7112401211	SCREW TAPPING	T1TRS 4X12 MFZN	2	
35		COMPRESSOR		1	
36	3018116610	SWITCH P-RELAY AS		1	
37	3012610000	CLAMP BRAND RELAY	SK-5 T0.7	1	
38	3010318400	BASE COMP	SBHG1	1	
39	3016500000	CASTER *B	PP OD36XL37	2	
40	3014902900	SHAFT CASTER *B	*SPH, T1, OD6XL51*	2	
41	3016003300	SPECIAL BOLT	T2 M6.5X20	4	
42	3012007900	FIXTURE MOTR B	PP	1	
43		MOTOR F		1	
44	3011802200	FAN	ABS(OD110)	1	
45	7112401211	SCREW TAPPING	T1TRS 4X12 MFZN	2	
46	3013336310	INSU F LUVR	EPS	1	
47	3013402600	KNOB F CONTL	PP	1	
48	3018910400	LOUVER F	HIPS	1	
49	7112401611	SCREW TAPPING	T1TRS 4X16 MFZN	2	
50	3010924600	CAP F-LUVR	HIPS T2.3	2	
51	3017821600	SHELF F	HIPS T3.0	1	

NO	PART CODE	PART NAME	PART DESCRIPTION	Q'TY	REMARK
52	3013002300	HOLDER ICE SAS	HIPS	1	
53	3012201900	FRAME ICE CASE SAS		1	
54	3010518900	BOX ICE	GPPS	1	
55	3012509800	GUIDE TWIST ICE	HIPS	1	
56	7112401208	SCREW TAPPING	T1 TRS 4X10 SUS	1	
57	3018100050	SWITCH DR	DSD-5(220V)	1	
58	3010936100	CAP DV *M HI HOLE	ABS	1	
59	3011450100	COVER R LAMP	HIPS	1	
60	3017903610	SOCKET R LAMP AS		1	
61	3013600080	LAMP AS	240V/15W	1	
62	7121300811	SCREW TAPPING	T2 PAN 3X8 MFZN	1	
63	3015505200	WINDOW LAMP	PP	1	
64	3011439500	COVER CUBIC	HIPS	2	
65	3017460900	INSU R *S *L	F-PS	1	
66	3018910200	LOUVER R *S *L	PP	1	
67	3017461000	INSU R *S *R	F-PS	1	
68	3018910300	LOUVER R *S *R	PP	1	
69	3017821800	SHELF CHILD	GPPS	1	
70	3011162300	CASE CHILD	GPPS	1	
71	3017822000	SHELF R	GPPS	1	
72	3011451400	COVER VEGETB	GPPS	1	
73	3011162500	CASE VEGETB	GPPS	2	
74	3013336000	INSULATOR F A	EPS	1	
75	3012509900	GUIDE DRN	AL 0.4T	1	
76	3014433400	PIPE DRN	AL 1.0T	1	
77	3012009400	FIXTURE R CONTL COVR	PP	1	
78	3013336100	INSULATOR F B	EPS	1	
79		ASSY F DR		1	
80	301550530	WINDOW FCP	GPPS	1	
81	7112401211	SCREW TAPPING	T1 TRS 4X12 MFZN	1	
82	3014228600	PANEL CONTROL F	ABS	1	
83	3014228600	PCB FRONT AS	T1.6	1	
84	7121300811	SCREW TAPPING	T2 PAN 3X8 MFZN	1	
85	3011450400	COVER CAP HOLE B	PP	1	
86	3011450500	COVER T HI HRNS *L	PP	1	
87	7112401211	SCREW TAPPING	T1TRS 4X12 MFZN	1	
88	3012301420	GASKET F DR AS	PVC	2	
89	3019013500	POCKET F	HIPS	1	
90	3011450300	COVER CAP HOLE A	PP	1	
91		ASSY R DR		1	
92	3012301720	GASKET R DR AS	PVC	1	
93	3011451300	COVER DARIY ROOM	GPPS	1	
94	3019013000	POCKET DAIRY	HIPS	1	
95	3011162100	CASE EGG	GPPS	1	
96	3019013100	POCKET SMALL	HIPS	3	
97	3012509600	GUIDE POCKET	HIPS	1	
98	3019013300	POCKET JUMBO	HIPS	1	
99	3019013400	POCKET BOTTLE	HIPS	1	

NO	PART CODE	PART NAME	PART DESCRIPTION	Q'TY	REMARK
79	30100896A0	ASSY F DOOR	White PCM	1	CFC
	30100896B0		White High-glossy Laminasheet	1	CFC
	30100896C0		Beige PCM	1	CFC
	30100896D0		Beige High-glossy Laminasheet	1	CFC
	30100896E0		Light Gray High-glossy Laminasheet	1	CFC
	30100896F0		Daewoo Silver	1	CFC
	30100896G0		White Embo PCM	1	CFC
	30100896H0		Beige Embo PCM	1	CFC
	30100896J0		White PCM	1	HCFC
	30100896K0		White High-glossy Laminasheet	1	HCFC
	30100896L0		Beige PCM	1	HCFC
	30100896M0		Beige High-glossy Laminasheet	1	HCFC
	30100896N0		Light Gray High-glossy Laminasheet	1	HCFC
	30100896P0		Daewoo Silver	1	HCFC
	30100896Q0		White Embo PCM	1	HCFC
	30100896R0		Beige Embo PCM	1	HCFC
91	30100334A0	ASSY R DOOR	White PCM	1	CFC
	30100334B0		White High-glossy Laminasheet	1	CFC
	30100334C0		Beige PCM	1	CFC
	30100334D0		Beige High-glossy Laminasheet	1	CFC
	30100334E0		Light Gray High-glossy Laminasheet	1	CFC
	30100334H0		Daewoo Silver	1	CFC
	30100334J0		White Embo PCM	1	CFC
	30100334K0		Beige Embo PCM	1	CFC
	30100334L0		White PCM	1	HCFC
	30100334M0		White High-glossy Laminasheet	1	HCFC
	30100334N0		Beige PCM	1	HCFC
	30100334P0		Beige High-glossy Laminasheet	1	HCFC
	30100334Q0		Light Gray High-glossy Laminasheet	1	HCFC
	30100334R0		Daewoo Silver	1	HCFC
	30100334S0		White Embo PCM	1	HCFC
	30100334T0		Beige Embo PCM	1	HCFC
	30100334A0		White PCM	1	Key type CFC
	30100334BK		White High-glossy Laminasheet	1	Key type CFC
	30100334CK		Beige PCM	1	Key type CFC
	30100334DK		Beige High-glossy Laminasheet	1	Key type CFC
	30100334EK		Light Gray High-glossy Laminasheet	1	Key type CFC
	30100334HK		Daewoo Silver	1	Key type CFC
	30100334JK		White Embo PCM	1	Key type CFC
	30100334KK		Beige Embo PCM	1	Key type CFC
	30100334LK		White PCM	1	Key type HCFC
	30100334MK		White High-glossy Laminasheet	1	Key type HCFC
	30100334NK		Beige PCM	1	Key type HCFC
	30100334PK		Beige High-glossy Laminasheet	1	Key type HCFC
	30100334QK		Light Gray High-glossy Laminasheet	1	Key type HCFC
	30100334RK		Daewoo Silver	1	Key type HCFC
	30100334SK		White Embo PCM	1	Key type HCFC
	30100334TK		Beige Embo PCM	1	Key type HCFC

3. FR-4502K

3-1. EXPLODED VIEW



3-2. PART LIST

1) FR-4502K(# : Refer to PPL in <http://svc.dwe.co.kr>)

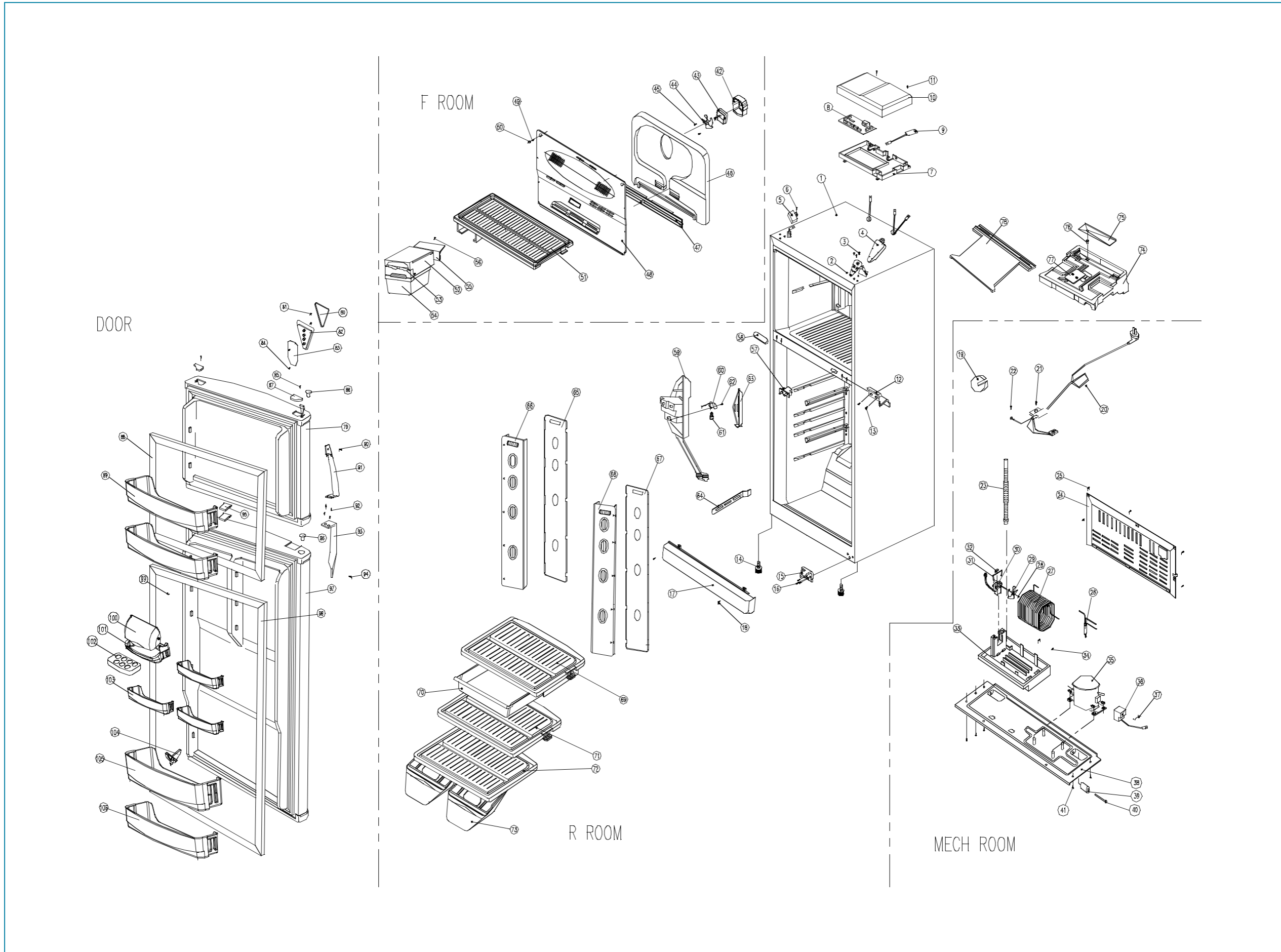
NO	PART CODE	PART NAME	PART DESCRIPTION	Q'TY	REMARK
1	3010031200	ASSY CAB URT	FRM(P)-371	1	
2	3012911500	HINGE *T	SPCC T2	1	
3	3012905400	SPECIAL BOLT T/U	6X22 SWCH22A(WH)	3	
4	3011449800	COVER *T HI	HIPS	1	
5	3012911400	HINGE *M AS	DC-2 ZN	1	
6	3016001220	SPECIAL BOLT M	6X20 SWCH22A(WH)	2	
7	3012101300	FOOT ADJUST AS	PP	2	
8	3012911300	HINGE *U AS	SPHC-H T4	1	
9	3012905400	SPECIAL BOLT T/U	6X22 SWCH22A(WH)	3	
10	3011450200	COVER CAB BRKT	PP	1	
11	7112401211	SCREW TAPPING	T1TRS 4X12 MFZN	2	
12	3010103700	ABSORBER SUC P	NR	1	
13	3011302012	CORD POWER AS		1	250V/16A
14	7112401211	SCREW TAPPING	T1TRS 4X12 MFZN	1	
15	7001400865	SCREW MACHINE	PAN 4X8 BSNI	1	
16	3013202700	HOSE DRN B	PP	1	
17	3012405800	GRILLE	SBHG1	1	
18	7112401211	SCREW TAPPING	T1TRS 4X12 MFZN	5	
19	3016805500	DRYER AS		1	
20	3014433500	PIPE WICON	TSW OD4.76XT0.7XL14560	1	
21	3011200400	CLAMP FAN	SUS304	1	
22	3011800400	FAN		1	
23		MOTOR C		1	
24	3012004400	FIXTURE C MOTR	SUS	1	
25	3010102100	ABSORBER C MOTR	*NR,FRB-5350NT*	1	
26	3011161900	CASE VAPORI	PP	1	
27	7112401211	SCREW TAPPING	T1TRS 4X12 MFZN	2	
28		COMPRESSOR		1	
29	3018116610	SWITCH P-RELAY AS		1	
30	3012610000	CLAMP BRAND RELAY	SK-5 T0.7	1	
31	3010318400	BASE COMP	SBHG1	1	
32	3016500000	CASTER *B	PP OD36XL37	2	
33	3014902900	SHAFT CASTER *B	*SPH, T1, OD6XL51*	2	
34	3016003300	SPECIAL BOLT	T2 M6.5X20	4	
35	3012007900	FIXTURE MOTR B	PP	1	
36		MOTOR F		1	
37	3011802200	FAN	ABS(OD110)	1	
38	7112401211	SCREW TAPPING	T1TRS 4X12 MFZN	2	
39	3013336310	INSU F LUVR	EPS	1	
40	3013402600	KNOB F CONTL	PP	1	
41	3018910400	LOUVER F	HIPS	1	
42	7112401611	SCREW TAPPING	T1TRS 4X16 MFZN	2	
43	3010924600	CAP F-LUVR	HIPS T2.3	2	
44	3017821600	SHELF F	HIPS T3.0	1	
45	3013002300	HOLDER ICE SAS	HIPS	1	
46	3012201900	FRAME ICE CASE SAS		1	
47	3010518900	BOX ICE	GPPS	1	
48	3012509800	GUIDE TWIST ICE	HIPS	1	

NO	PART CODE	PART NAME	PART DESCRIPTION	Q'TY	REMARK
49	7112401208	SCREW TAPPING	T1 TRS 4X10 SUS	1	
50	3018100050	SWITCH DR	DSD-5(220V)	1	
51	3010936100	CAP DV *M HI HOLE	ABS	1	
52	3017903610	SOCKET R LAMP AS		1	
53	3013600080	LAMP AS	240V/15W	1	
54	7121300811	SCREW TAPPING	T2 PAN 3X8 MFZN	1	
55	3013402500	KNOB R CONTL	ABS	1	
56	3011449900	COVER R CONTL BOX	HIPS	1	
57	3012733700	HARNESS R-THERMO		1	
58	3018301500	THERMOSTAT	GNF-175D	1	
59	3015505200	WINDOW LAMP	PP	1	
60	3011439500	COVER CUBIC	HIPS	2	
61	3017460900	INSU R *S *L	F-PS	1	
62	3018910200	LOUVER R *S *L	PP	1	
63	3017461000	INSU R *S *R	F-PS	1	
64	3018910300	LOUVER R *S *R	PP	1	
65	3017821800	SHELF CHILD	GPPS	1	
66	3011162300	CASE CHILD	GPPS	1	
67	3017822000	SHELF R	GPPS	1	
68	3011451400	COVER VEGETB	GPPS	1	
69	3011162500	CASE VEGETB	GPPS	2	
70	3013336000	INSULATOR F A	EPS	1	
71	3012509900	GUIDE DRN	AL 0.4T	1	
72	3014433400	PIPE DRN	AL 1.0T	1	
73	3012009400	FIXTURE R CONTL COVR	PP	1	
74	3013336100	INSULATOR F B	EPS	1	
75		ASSY F DR		1	
76	3011450400	COVER CAP HOLE B	PP	1	
77	7112401211	SCREW TAPPING	T1TRS 4X12 MFZN	1	
78	3011450500	COVER T HI HRNS *L	PP	1	
79	3012301420	GASKET F DR AS	PVC	1	
80	3019013500	POCKET F	HIPS	2	
81	7112401211	SCREW TAPPING	T1 FLT 4X12 MFZN	1	FR-4501.2,3N
82		HANDLE F	ABS	1	
83	7112401211	SCREW TAPPING	T1 FLT 4X12 MFZN	4	FR-4501.2,3N
84		HANDLE R	ABS	1	
85	7112401211	SCREW TAPPING	T1 FLT 4X12 MFZN	1	FR-4501.2,3N
86	3011450800	COVER CAP HNDL *L	ABS	1	
87	3011450300	COVER CAP HOLE A	PP	1	
88		ASSY R DR		1	
89	3012301720	GASKET R DR AS	PVC	1	
90	3010936600	CAP DR SCREW HOLE	PP	1	
91	3011451300	COVER DARIY ROOM	GPPS	1	
92	3019013000	POCKET DAIRY	HIPS	1	
93	3011162100	CASE EGG	GPPS	1	
94	3019013100	POCKET SMALL	HIPS	3	
95	3012509600	GUIDE POCKET	HIPS	1	
96	3019013300	POCKET JUMBO	HIPS	1	
97	3019013400	POCKET BOTTLE	HIPS	1	

NO	PART CODE	PART NAME	PART DESCRIPTION	Q'TY	REMARK
75	30100895A0	ASSY F DOOR	White PCM	1	CFC
	30100895B0		White High-glossy Laminasheet	1	CFC
	30100895C0		Beige PCM	1	CFC
	30100895D0		Beige High-glossy Laminasheet	1	CFC
	30100895E0		Light Gray High-glossy Laminasheet	1	CFC
	30100895F0		Daewoo Silver	1	CFC
	30100895G0		White Embo PCM	1	CFC
	30100895H0		Beige Embo PCM	1	CFC
	30100895J0		White PCM	1	HCFC
	30100895K0		White High-glossy Laminasheet	1	HCFC
	30100895L0		Beige PCM	1	HCFC
	30100895M0		Beige High-glossy Laminasheet	1	HCFC
	30100895N0		Light Gray High-glossy Laminasheet	1	HCFC
	30100895P0		Daewoo Silver	1	HCFC
	30100895Q0		White Embo PCM	1	HCFC
	30100895R0		Beige Embo PCM	1	HCFC
88	30100335A0	ASSY R DOOR	White PCM	1	CFC
	30100335B0		White High-glossy Laminasheet	1	CFC
	30100335C0		Beige PCM	1	CFC
	30100335D0		Beige High-glossy Laminasheet	1	CFC
	30100335E0		Light Gray High-glossy Laminasheet	1	CFC
	30100335H0		Daewoo Silver	1	CFC
	30100335J0		White Embo PCM	1	CFC
	30100335K0		Beige Embo PCM	1	CFC
	30100335L0		White PCM	1	HCFC
	30100335M0		White High-glossy Laminasheet	1	HCFC
	30100335N0		Beige PCM	1	HCFC
	30100335P0		Beige High-glossy Laminasheet	1	HCFC
	30100335Q0		Light Gray High-glossy Laminasheet	1	HCFC
	30100335R0		Daewoo Silver	1	HCFC
	30100335S0		White Embo PCM	1	HCFC
	30100335T0		Beige Embo PCM	1	HCFC
	30100335AK		White PCM	1	Key type CFC
	30100335BK		White High-glossy Laminasheet	1	Key type CFC
	30100335CK		Beige PCM	1	Key type CFC
	30100335DK		Beige High-glossy Laminasheet	1	Key type CFC
	30100335EK		Light Gray High-glossy Laminasheet	1	Key type CFC
	30100335HK		Daewoo Silver	1	Key type CFC
	30100335JK		White Embo PCM	1	Key type CFC
	30100335KK		Beige Embo PCM	1	Key type CFC
	30100335LK		White PCM	1	Key type HCFC
	30100335MK		White High-glossy Laminasheet	1	Key type HCFC
	30100335NK		Beige PCM	1	Key type HCFC
	30100335PK		Beige High-glossy Laminasheet	1	Key type HCFC
	30100335QK		Light Gray High-glossy Laminasheet	1	Key type HCFC
	30100335RK		Daewoo Silver	1	Key type HCFC
	30100335SK		White Embo PCM	1	Key type HCFC
	30100335TK		Beige Embo PCM	1	Key type HCFC

4. FR-4502N

4-1. EXPLODED VIEW



4-2. PART LIST

1) FR-4502N(# : Refer to PPL in <http://svc.dwe.co.kr>)

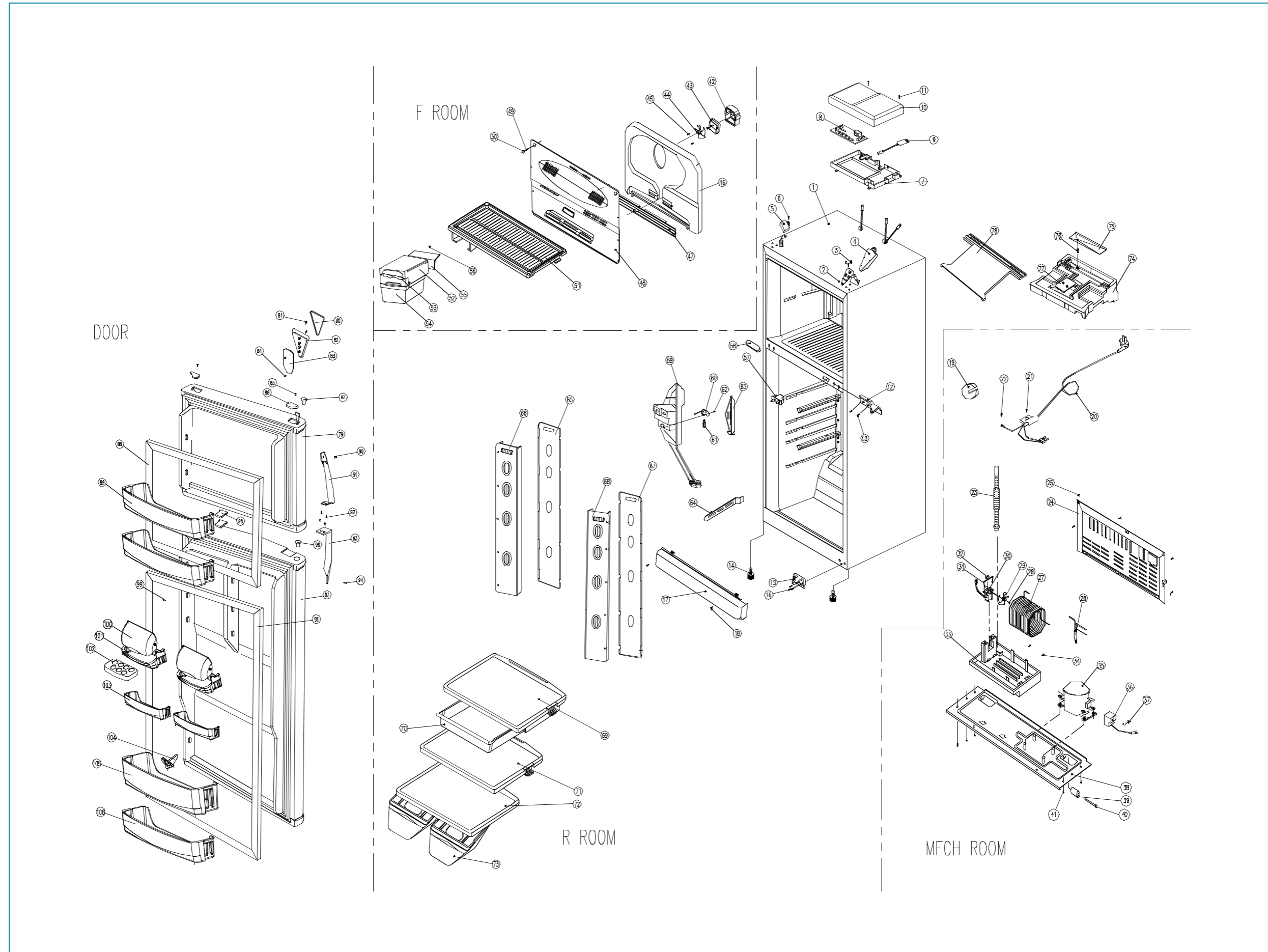
NO	PART CODE	PART NAME	PART DESCRIPTION	Q'TY	REMARK
1	3010031200	ASSY CAB URT	FRM(P)-371	1	
2	3012911500	HINGE *T	SPCC T2	1	
3	3012905400	SPECIAL BOLT T/U	6X22 SWCH22A(WH)	3	
4	3011449800	COVER *T HI	HIPS	1	
5	3011449500	COVER GUIDE L/WIRE	PP	1	
6	7112401211	SCREW TAPPING	T1TRS 4X12 MFZN	1	
7	3010519800	BOX MAIN POWER	PP	1	
8		PCB MAIN AS	PP	1	
9		HARNESS RUN CON		1	
10		COVER M-PCB BOX	PP	1	
11	7112401211	SCREW TAPPING	T1TRS 4X12 MFZN	2	
12	3012911400	HINGE *M AS	DC-2 ZN	1	
13	3016001220	SPECIAL BOLT M	6X20 SWCH22A(WH)	2	
14	3012101300	FOOT ADJUST AS	PP	2	
15	3012911300	HINGE *U AS	SPHC-H T4	1	
16	3012905400	SPECIAL BOLT T/U	6X22 SWCH22A(WH)	3	
17	3011450200	COVER CAB BRKT	PP	1	
18	7112401211	SCREW TAPPING	T1TRS 4X12 MFZN	2	
19	3010103700	ABSORBER SUC P	NR	1	
20	3011302012	CORD POWER AS		1	250V/16A
21	7112401211	SCREW TAPPING	T1TRS 4X12 MFZN	1	
22	7001400865	SCREW MACHINE	PAN 4X8 BSNI	1	
23	3013202700	HOSE DRN B	PP	1	
24	3012405800	GRILLE	SBHG1	1	
25	7112401211	SCREW TAPPING	T1TRS 4X12 MFZN	5	
26	3016805500	DRYER AS		1	
27	3014433500	PIPE WICON	TSW OD4.76XT0.7XL14560	1	
28	3011200400	CLAMP FAN	SUS304	1	
29	3011800400	FAN		1	
30		MOTOR C		1	
31	3012004400	FIXTURE C MOTR	SUS	1	
32	3010102100	ABSORBER C MOTR	*NR,FRB-5350NT*	1	
33	3011161900	CASE VAPORI	PP	1	
34	7112401211	SCREW TAPPING	T1TRS 4X12 MFZN	2	
35		COMPRESSOR		1	
36	3018116610	SWITCH P-RELAY AS		1	
37	3012610000	CLAMP BRAND RELAY	SK-5 T0.7	1	
38	3010318400	BASE COMP	SBHG1	1	
39	3016500000	CASTER *B	PP OD36XL37	2	
40	3014902900	SHAFT CASTER *B	*SPH, T1, OD6XL51*	2	
41	3016003300	SPECIAL BOLT	T2 M6.5X20	4	
42	3012007900	FIXTURE MOTR B	PP	1	
43		MOTOR F		1	
44	3011802200	FAN	ABS(OD110)	1	
45	7112401211	SCREW TAPPING	T1TRS 4X12 MFZN	2	
46	3013336310	INSU F LUVR	EPS	1	
47	3013402600	KNOB F CONTL	PP	1	
48	3018910400	LOUVER F	HIPS	1	
49	7112401611	SCREW TAPPING	T1TRS 4X16 MFZN	2	
50	3010924600	CAP F-LUVR	HIPS T2.3	2	
51	3017821600	SHELF F	HIPS T3.0	1	
52	3013002300	HOLDER ICE SAS	HIPS	1	
53	3012201900	FRAME ICE CASE SAS		1	
54	3010518900	BOX ICE	GPPS	1	

NO	PART CODE	PART NAME	PART DESCRIPTION	Q'TY	REMARK
55	3012509800	GUIDE TWIST ICE	HIPS	1	
56	7112401208	SCREW TAPPING	T1 TRS 4X10 SUS	1	
57	3018100050	SWITCH DR	DSD-5(220V)	1	
58	3010936100	CAP DV *M HI HOLE	ABS	1	
59	3011450100	COVER R LAMP	HIPS	1	
60	3017903610	SOCKET R LAMP AS		1	
61	3013600080	LAMP AS	240V/15W	1	
62	7121300811	SCREW TAPPING	T2 PAN 3X8 MFZN	1	
63	3015505200	WINDOW LAMP	PP	1	
64	3011439500	COVER CUBIC	HIPS	2	
65	3017460900	INSU R *S *L	F-PS	1	
66	3018910200	LOUVER R *S *L	PP	1	
67	3017461000	INSU R *S *R	F-PS	1	
68	3018910300	LOUVER R *S *R	PP	1	
69	3017821800	SHELF CHILD	GPPS	1	
70	3011162300	CASE CHILD	GPPS	1	
71	3017822000	SHELF R	GPPS	1	
72	3011451400	COVER VEGETB	GPPS	1	
73	3011162500	CASE VEGETB	GPPS	2	
74	3013336000	INSULATOR F A	EPS	1	
75	3012509900	GUIDE DRN	AL 0.4T	1	
76	3014433400	PIPE DRN	AL 1.0T	1	
77	3012009400	FIXTURE R CONTL COVR	PP	1	
78	3013336100	INSULATOR F B	EPS	1	
79		ASSY F DR		1	
80	301550530	WINDOW FCP	GPPS	1	
81	7112401211	SCREW TAPPING	T1TRS 4X12 MFZN	1	FR-4501,2,3N
82	3014228600	PANEL CONTROL F	ABS	1	
83	3014228600	PCB FRONT AS	T1.6	1	
84	7121300811	SCREW TAPPING	T2 PAN 3X8 MFZN	1	
85	7112401211	SCREW TAPPING	T1TRS 4X12 MFZN	1	
86	3011450400	COVER CAP HOLE B	PP	1	
87	3011450500	COVER T HI HRNS *L	PP	1	
88	3012301420	GASKET F DR AS	PVC	1	
89	3019013500	POCKET F	HIPS	2	
90	7112401211	SCREW TAPPING	T1 FLT 4X12 MFZN	1	FR-4501,2,3N
91		HANDLE F	ABS	1	
92	7112401211	SCREW TAPPING	T1 FLT 4X12 MFZN	4	FR-4501,2,3N
93		HANDLE R	ABS	1	
94	7112401211	SCREW TAPPING	T1 FLT 4X12 MFZN	1	FR-4501,2,3N
95	3011450800	COVER CAP HNDL *L	ABS	1	
96	3011450300	COVER CAP HOLE A	PP	1	
97		ASSY R DR		1	
98	3012301720	GASKET R DR AS	PVC	1	
99	3010936600	CAP DR SCREW HOLE	PP	1	
100	3011451300	COVER DARIY ROOM	GPPS	1	
101	3019013000	POCKET DAIRY	HIPS	1	
102	3011162100	CASE EGG	GPPS	1	
103	3019013100	POCKET SMALL	HIPS	3	
104	3012509600	GUIDE POCKET	HIPS	1	
105	3019013300	POCKET JUMBO	HIPS	1	
106	3019013400	POCKET BOTTLE	HIPS	1	

NO	PART CODE	PART NAME	PART DESCRIPTION	Q'TY	REMARK
79	30100897A0	ASSY F DOOR	White PCM	1	CFC
	30100897B0		White High-glossy Laminasheet	1	CFC
	30100897C0		Beige PCM	1	CFC
	30100897D0		Beige High-glossy Laminasheet	1	CFC
	30100897E0		Light Gray High-glossy Laminasheet	1	CFC
	30100897F0		Daewoo Silver	1	CFC
	30100897G0		White Embo PCM	1	CFC
	30100897H0		Beige Embo PCM	1	CFC
	30100897J0		White PCM	1	HCFC
	30100897K0		White High-glossy Laminasheet	1	HCFC
	30100897L0		Beige PCM	1	HCFC
	30100897M0		Beige High-glossy Laminasheet	1	HCFC
	30100897N0		Light Gray High-glossy Laminasheet	1	HCFC
	30100897P0		Daewoo Silver	1	HCFC
	30100897Q0		White Embo PCM	1	HCFC
	30100897R0		Beige Embo PCM	1	HCFC
97	30100335A0	ASSY R DOOR	White PCM	1	CFC
	30100335B0		White High-glossy Laminasheet	1	CFC
	30100335C0		Beige PCM	1	CFC
	30100335D0		Beige High-glossy Laminasheet	1	CFC
	30100335E0		Light Gray High-glossy Laminasheet	1	CFC
	30100335H0		Daewoo Silver	1	CFC
	30100335J0		White Embo PCM	1	CFC
	30100335K0		Beige Embo PCM	1	CFC
	30100335L0		White PCM	1	HCFC
	30100335M0		White High-glossy Laminasheet	1	HCFC
	30100335N0		Beige PCM	1	HCFC
	30100335P0		Beige High-glossy Laminasheet	1	HCFC
	30100335Q0		Light Gray High-glossy Laminasheet	1	HCFC
	30100335R0		Daewoo Silver	1	HCFC
	30100335S0		White Embo PCM	1	HCFC
	30100335T0		Beige Embo PCM	1	HCFC
	30100335AK		White PCM	1	Key type CFC
	30100335BK		White High-glossy Laminasheet	1	Key type CFC
	30100335CK		Beige PCM	1	Key type CFC
	30100335DK		Beige High-glossy Laminasheet	1	Key type CFC
	30100335EK		Light Gray High-glossy Laminasheet	1	Key type CFC
	30100335HK		Daewoo Silver	1	Key type CFC
	30100335JK		White Embo PCM	1	Key type CFC
	30100335KK		Beige Embo PCM	1	Key type CFC
	30100335LK		White PCM	1	Key type HCFC
	30100335MK		White High-glossy Laminasheet	1	Key type HCFC
	30100335NK		Beige PCM	1	Key type HCFC
	30100335PK		Beige High-glossy Laminasheet	1	Key type HCFC
	30100335QK		Light Gray High-glossy Laminasheet	1	Key type HCFC
	30100335RK		Daewoo Silver	1	Key type HCFC
	30100335SK		White Embo PCM	1	Key type HCFC
	30100335TK		Beige Embo PCM	1	Key type HCFC

5. FR-4503N

5-1. EXPLODED VIEW



5-2. PART LIST

1) FR-4503N(# : Refer to PPL in <http://svc.dwe.co.kr>)

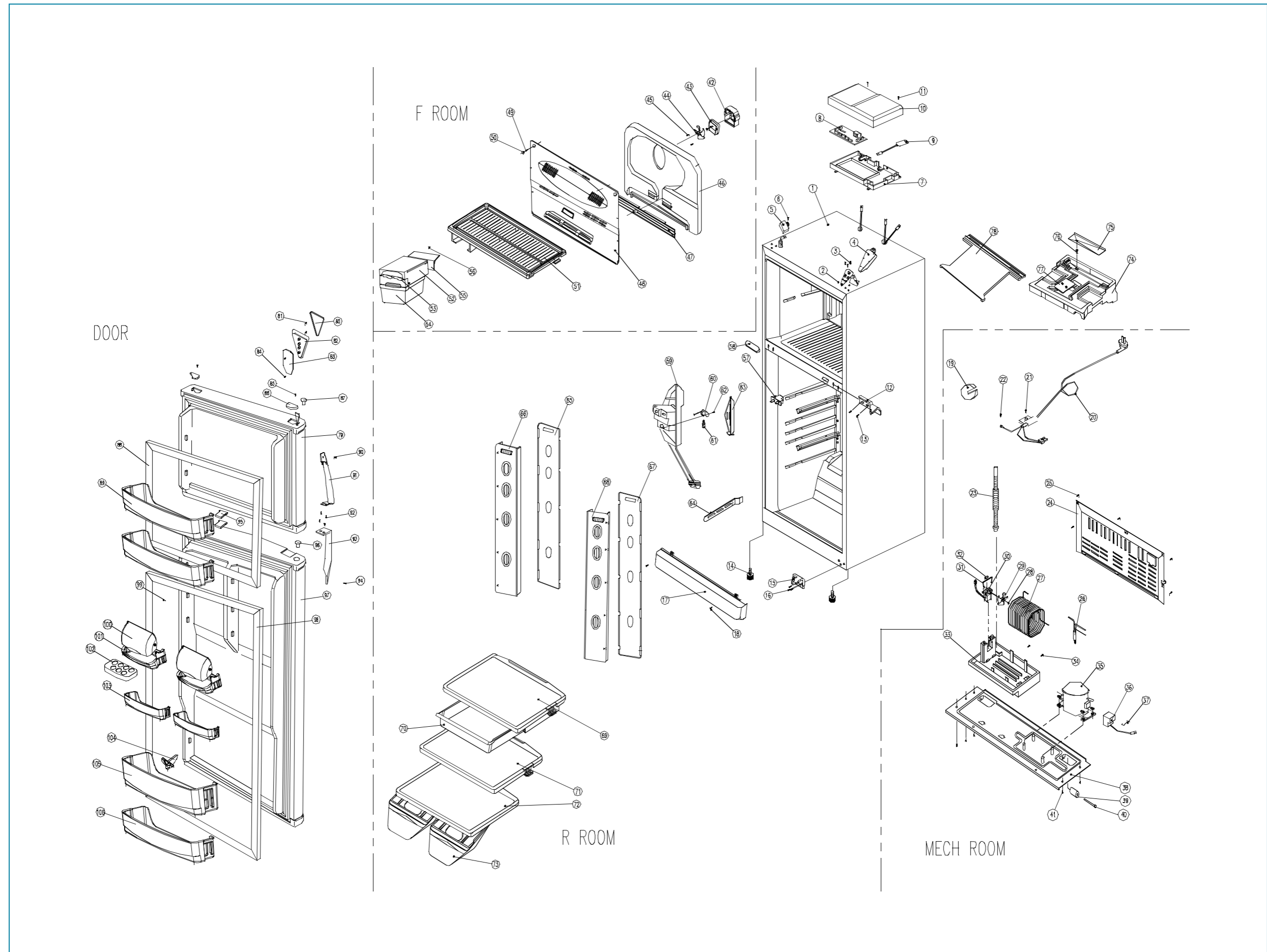
NO	PART CODE	PART NAME	PART DESCRIPTION	QTY	REMARK
1	3010031200	ASSY CAB URT	FRM(P)-371	1	
2	3012911500	HINGE*T	SPCC T2	1	
3	3012905400	SPECIAL BOLT T/U	6X22 SWCH22A(WH)	3	
4	3011449800	COVER *T HI	HIPS	1	
5	3011449500	COVER GUIDE L/WIRE	PP	1	
6	7112401211	SCREW TAPPING	T1TRS 4X12 MFZN	1	
7	3010519800	BOX MAIN POWER	PP	1	
8		PCB MAIN AS	PP	1	
9		HARNES RUN CON		1	
10		COVER M-PCB BOX	PP	1	
11	7112401211	SCREW TAPPING	T1TRS 4X12 MFZN	2	
12	3012911400	HINGE *M AS	DC-2 ZN	1	
13	3016001220	SPECIAL BOLT M	6X20 SWCH22A(WH)	2	
14	3012101300	FOOT ADJUST AS	PP	2	
15	3012911300	HINGE *U AS	SPHC-H T4	1	
16	3012905400	SPECIAL BOLT T/U	6X22 SWCH22A(WH)	3	
17	3011450200	COVER CAB BRKT	PP	1	
18	7112401211	SCREW TAPPING	T1TRS 4X12 MFZN	2	
19	3010103700	ABSORBER SUC P	NR	1	
20	3011302012	CORD POWER AS		1	250V/16A
21	7112401211	SCREW TAPPING	T1TRS 4X12 MFZN	1	
22	7001400865	SCREW MACHINE	PAN 4X8 BSNI	1	
23	3013202700	HOSE DRN B	PP	1	
24	3012405800	GRILLE	SBHG1	1	
25	7112401211	SCREW TAPPING	T1TRS 4X12 MFZN	5	
26	3016805500	DRYER AS		1	
27	3014433500	PIPE WICON	TSW OD4.76XT0.7XL14560	1	
28	3011200400	CLAMP FAN	SUS304	1	
29	3011800400	FAN		1	
30		MOTOR C		1	
31	3012004400	FIXTURE C MOTR	SUS	1	
32	3010102100	ABSORBER C MOTR	*NR,FRB-5350NT*	1	
33	3011161900	CASE VAPORI	PP	1	
34	7112401211	SCREW TAPPING	T1TRS 4X12 MFZN	2	
35		COMPRESSOR		1	
36	3018116610	SWITCH P-RELAY AS		1	
37	3012610000	CLAMP BRAND RELAY	SK-5 T0.7	1	
38	3010318400	BASE COMP	SBHG1	1	
39	3016500000	CASTER *B	PP OD36XL37	2	
40	3014902900	SHAFT CASTER *B	*SPH, T1, OD6XL51*	2	
41	3016003300	SPECIAL BOLT	T2 M6.5X20	4	
42	3012007900	FIXTURE MOTR B	PP	1	
43		MOTOR F		1	
44	3011802200	FAN	ABS(OD110)	1	
45	7112401211	SCREW TAPPING	T1TRS 4X12 MFZN	2	
46	3013336310	INSU F LUVR	EPS	1	
47	3013402600	KNOB F CONTL	PP	1	
48	3018910400	LOUVER F	HIPS	1	
49	7112401611	SCREW TAPPING	T1TRS 4X16 MFZN	2	
50	3010924600	CAP F-LUVR	HIPS T2.3	2	
51	3017821600	SHELF F	HIPS T3.0	1	
52	3013002300	HOLDER ICE SAS	HIPS	1	
53	3012201900	FRAME ICE CASE SAS		1	

NO	PART CODE	PART NAME	PART DESCRIPTION	QTY	REMARK
54	3010518900	BOX ICE	GPPS	1	
55	3012509800	GUIDE TWIST ICE	HIPS	1	
56	7112401208	SCREW TAPPING	T1 TRS 4X10 SUS	1	
57	3018100050	SWITCH DR	DSD-5(220V)	1	
58	3010936100	CAP DV *M HI HOLE	ABS	1	
59	3011450100	COVER R LAMP	HIPS	1	
60	3017903610	SOCKET R LAMP AS		1	
61	3013600080	LAMP AS	240V/15W	1	
62	7121300811	SCREW TAPPING	T2 PAN 3X8 MFZN	1	
63	3015505200	WINDOW LAMP	PP	1	
64	3011439500	COVER CUBIC	HIPS	2	
65	3017460900	INSU R *S *L	F-PS	1	
66	3018910200	LOUVER R *S *L	PP	1	
67	3017461000	INSU R *S *R	F-PS	1	
68	3018910300	LOUVER R *S *R	PP	1	
69	3017821900	SHELF CHILD	HIPS	1	
70	3011162300	CASE CHILD	GPPS	1	
71	3017822100	SHELF R	HIPS	1	
72	3011451400	COVER VEGETB	GPPS	1	
73	3011162500	CASE VEGETB	GPPS	2	
74	3013336000	INSULATOR F A	EPS	1	
75	3012509900	GUIDE DRN	AL 0.4T	1	
76	3014433400	PIPE DRN	AL 1.0T	1	
77	3012009400	FIXTURE R CONTL COVR	PP	1	
78	3013336100	INSULATOR F B	EPS	1	
79		ASSY F DR		1	
80	301550530	WINDOW FCP	GPPS	1	
81	7112401211	SCREW TAPPING	T1TRS 4X12 MFZN	1	FR-4501,2,3N
82	3014228600	PANEL CONTROL F	ABS	1	
83	3014228600	PCB FRONT AS	T1.6	1	
84	7121300811	SCREW TAPPING	T2 PAN 3X8 MFZN	1	
85	7112401211	SCREW TAPPING	T1TRS 4X12 MFZN	1	FR-4501,2,3N
86	3011450400	COVER CAP HOLE B	PP	1	
87	3011450500	COVER T HI HRS *L	PP	1	
88	3012301420	GASKET F DR AS	PVC	1	
89	3019013500	POCKET F	HIPS	2	
90		SCREW TAPPING	T1 FLT 4X12 MFZN	1	
91		HANDLE F	ABS	1	
92		SCREW TAPPING	T1 FLT 4X12 MFZN	4	
93		HANDLE R	ABS	1	
94		SCREW TAPPING	T1 FLT 4X12 MFZN	1	
95	3011450800	COVER CAP HNDL *L	ABS	1	
96	3011450300	COVER CAP HOLE A	PP	1	
97		ASSY R DR		1	
98	3012301720	GASKET R DR AS	PVC	1	
99	3010936600	CAP DR SCREW HOLE	PP	1	
100	3011451300	COVER DARIY ROOM	GPPS	2	
101	3019013000	POCKET DAIRY	HIPS	2	
102	3011162100	CASE EGG	GPPS	1	
103	3019013100	POCKET SMALL	HIPS	2	
104	3012509600	GUIDE POCKET	HIPS	1	
105	3019013300	POCKET JUMBO	HIPS	1	
106	3019013400	POCKET BOTTLE	HIPS	1	

NO	PART CODE	PART NAME	PART DESCRIPTION	QTY	REMARK
79	30100897A0	ASSY F DOOR	White PCM	1	CFC
	30100897B0		White High-glossy Laminasheet	1	CFC
	30100897C0		Beige PCM	1	CFC
	30100897D0		Beige High-glossy Laminasheet	1	CFC
	30100897E0		Light Gray High-glossy Laminasheet	1	CFC
	30100897F0		Daewoo Silver	1	CFC
	30100897G0		White Embo PCM	1	CFC
	30100897H0		Beige Embo PCM	1	CFC
	30100897J0		White PCM	1	HCFC
	30100897K0		White High-glossy Laminasheet	1	HCFC
	30100897L0		Beige PCM	1	HCFC
	30100897M0		Beige High-glossy Laminasheet	1	HCFC
	30100897N0		Light Gray High-glossy Laminasheet	1	HCFC
	30100897P0		Daewoo Silver	1	HCFC
	30100897Q0		White Embo PCM	1	HCFC
	30100897R0		Beige Embo PCM	1	HCFC
97	30100335A0	ASSY R DOOR	White PCM	1	CFC
	30100335B0		White High-glossy Laminasheet	1	CFC
	30100335C0		Beige PCM	1	CFC
	30100335D0		Beige High-glossy Laminasheet	1	CFC
	30100335E0		Light Gray High-glossy Laminasheet	1	CFC
	30100335H0		Daewoo Silver	1	CFC
	30100335J0		White Embo PCM	1	CFC
	30100335K0		Beige Embo PCM	1	CFC
	30100335L0		White PCM	1	HCFC
	30100335M0		White High-glossy Laminasheet	1	HCFC
	30100335N0		Beige PCM	1	HCFC
	30100335P0		Beige High-glossy Laminasheet	1	HCFC
	30100335Q0		Light Gray High-glossy Laminasheet	1	HCFC
	30100335R0		Daewoo Silver	1	HCFC
	30100335S0		White Embo PCM	1	HCFC
	30100335T0		Beige Embo PCM	1	HCFC
	30100335AK		White PCM	1	Key type CFC
	30100335BK		White High-glossy Laminasheet	1	Key type CFC
	30100335CK		Beige PCM	1	Key type CFC
	30100335DK		Beige High-glossy Laminasheet	1	Key type CFC
	30100335EK		Light Gray High-glossy Laminasheet	1	Key type CFC
	30100335HK		Daewoo Silver	1	Key type CFC
	30100335JK		White Embo PCM	1	Key type CFC
	30100335KK		Beige Embo PCM	1	Key type CFC
	30100335LK		White PCM	1	Key type HCFC
	30100335MK		White High-glossy Laminasheet	1	Key type HCFC
	30100335NK		Beige PCM	1	Key type HCFC
	30100335PK		Beige High-glossy Laminasheet	1	Key type HCFC
	30100335QK		Light Gray High-glossy Laminasheet	1	Key type HCFC
	30100335RK		Daewoo Silver	1	Key type HCFC
	30100335SK		White Embo PCM	1	Key type HCFC
	30100335TK		Beige Embo PCM	1	Key type HCFC

6. FR-4504K

6-1. EXPLODED VIEW



6-2. PART LIST

1) FR-4504K(# : Refer to PPL in <http://svc.dwe.co.kr>)

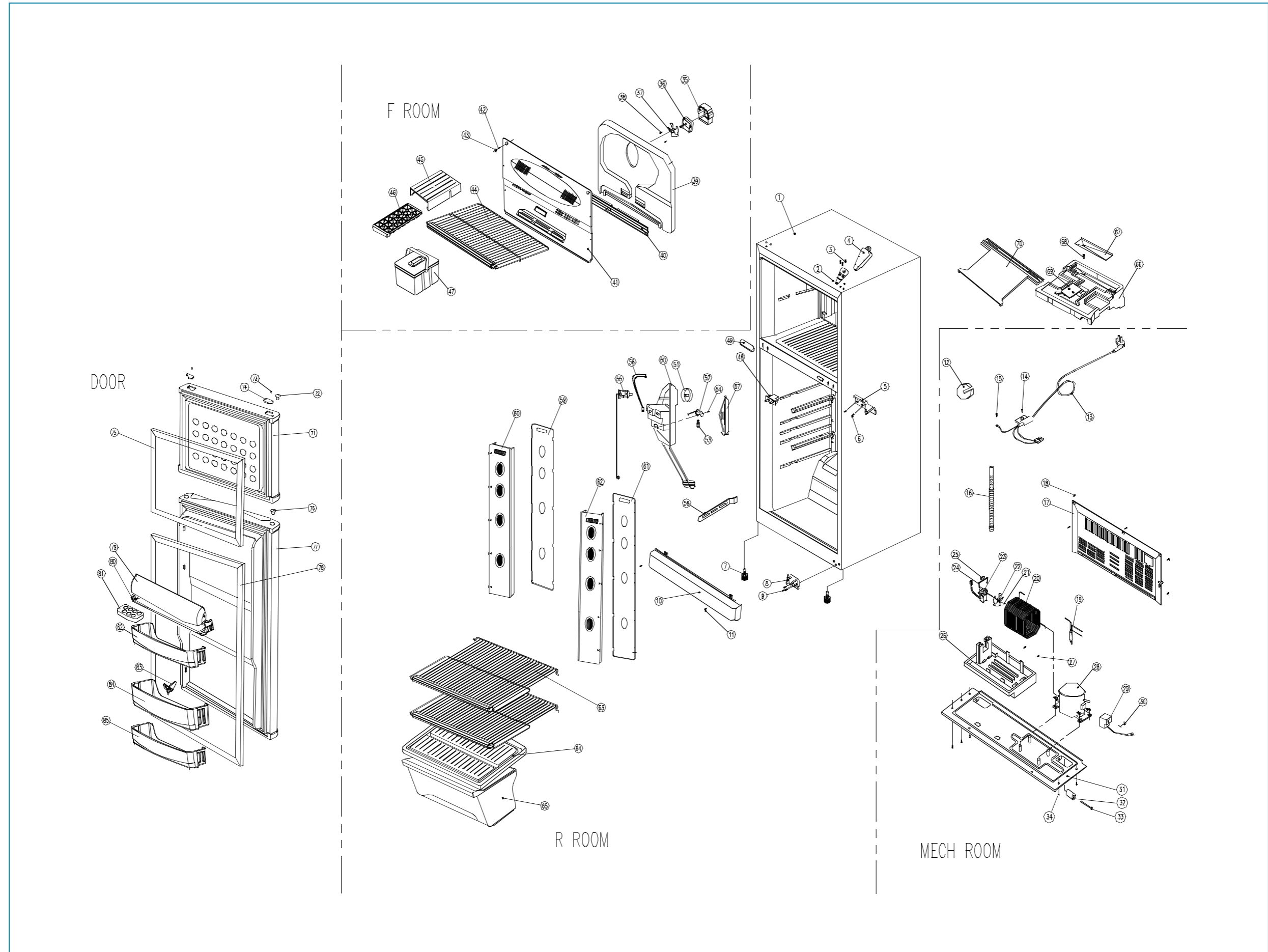
NO	PART CODE	PART NAME	PART DESCRIPTION	Q'TY	REMARK
1	3010031200	ASSY CAB URT	FRM(P)-371	1	
2	3012911500	HINGE *T	SPCC T2	1	
3	3012905400	SPECIAL BOLT T/U	6X22 SWCH22A(WH)	3	
4	3011449800	COVER *T HI	HIPS	1	
5	7112401211	SCREW TAPPING	T1TRS 4X12 MFZN	1	
6	3012911400	HINGE *M AS	DC-2 ZN	1	
7	3012101300	FOOT ADJUST AS	PP	2	
8	3012911300	HINGE *U AS	SPHC-H T4	1	
9	3012905400	SPECIAL BOLT T/U	6X22 SWCH22A(WH)	3	
10	3011450200	COVER CAB BRKT	PP	1	
11	7112401211	SCREW TAPPING	T1TRS 4X12 MFZN	2	
12	3010103700	ABSORBER SUC P	NR	1	
13	3011302012	CORD POWER AS		1	250V/16A
14	7112401211	SCREW TAPPING	T1TRS 4X12 MFZN	1	
15	7001400865	SCREW MACHINE	PAN 4X8 BSNI	1	
16	3013202700	HOSE DRN B	PP	1	
17	3012405800	GRILLE	SBHG1	1	
18	7112401211	SCREW TAPPING	T1TRS 4X12 MFZN	5	
19	3016805500	DRYER AS		1	
20	3014433500	PIPE WICON	TSW OD4.76XT0.7XL14560	1	
21	3011200400	CLAMP FAN	SUS304	1	
22	3011800400	FAN		1	
23		MOTOR C		1	
24	3012004400	FIXTURE C MOTR	SUS	1	
25	3010102100	ABSORBER C MOTR	"NR,FRB-5350NT"	1	
26	3011161900	CASE VAPORI	PP	1	
27	7112401211	SCREW TAPPING	T1TRS 4X12 MFZN	2	
28		COMPRESSOR		1	
29	3018116610	SWITCH P-RELAY AS		1	
30	3012610000	CLAMP BRAND RELAY	SK-5 T0.7	1	
31	3010318400	BASE COMP	SBHG1	1	
32	3016500000	CASTER *B	PP OD36XL37	2	
33	3014902900	SHAFT CASTER *B	"SPH, T1, OD6XL51"	2	
34	3016003300	SPECIAL BOLT	T2 M6.5X20	4	
35	3012007900	FIXTURE MOTR B	PP	1	
36		MOTOR F		1	
37	3011802200	FAN	ABS(OD110)	1	
38	7112401211	SCREW TAPPING	T1TRS 4X12 MFZN	2	
39	3013336310	INSU F LUVR	EPS	1	
40	3013402600	KNOB F CONTL	PP	1	
41	3018910400	LOUVER F	HIPS	1	
42	7112401611	SCREW TAPPING	T1TRS 4X16 MFZN	2	
43	3010924600	CAP F-LUVR	HIPS T2.3	2	

NO	PART CODE	PART NAME	PART DESCRIPTION	Q'TY	REMARK
44	3017821500	SHELF F	SWRM-B	1	
45	3012509700	GUIDE ICE CASE	HIPS	1	
46	3011162200	CASE ICE	PP	1	
47	3010518900	BOX ICE	GPPS	1	
48	3018100050	SWITCH DR	DSD-5(220V)	1	
49	3010936100	CAP DV *M HI HOLE	ABS	1	
50	3017903610	SOCKET R LAMP AS		1	
51	3013600080	LAMP AS	240V/15W	1	
52	7121300811	SCREW TAPPING	T2 PAN 3X8 MFZN	1	
53	3013402500	KNOB R CONTL	ABS	1	
54	3011449900	COVER R CONTL BOX	HIPS	1	
55	3012733700	HARNESS R-THERMO		1	
56	3018301500	THERMOSTAT	GNF-175D	1	
57	3015505200	WINDOW LAMP	PP	1	
58	3011439500	COVER CUBIC	HIPS	2	
59	3017460900	INSU R *S *L	F-PS	1	
60	3018910200	LOUVER R *S *L	PP	1	
61	3017461000	INSU R *S *R	F-PS	1	
62	3018910300	LOUVER R *S *R	PP	1	
63	3017821700	SHELF R	SWRM-B	2	
64	3011451400	COVER VEGETB	GPPS	1	
65	3011162400	CASE VEGETB	GPPS	1	
66	3013336000	INSULATOR F A	EPS	1	
67	3012509900	GUIDE DRN	AL 0.4T	1	
68	3014433400	PIPE DRN	AL 1.0T	1	
69	3012009400	FIXTURE R CONTL COVR	PP	1	
70	3013336100	INSULATOR F B	EPS	1	
71		ASSY F DR		1	
72	3011450400	COVER CAP HOLE B	PP	1	
73	3011450500	COVER T HI HRNS *L	PP	1	
74	7112401211	SCREW TAPPING	T1TRS 4X12 MFZN	1	
75	3012301420	GASKET F DR AS	PVC	1	
76	3019013500	POCKET F	HIPS	2	
77		ASSY R DR		1	
78	3011450300	COVER CAP HOLE A	PP	1	
79	3012301720	GASKET R DR AS	PVC	1	
80	3011451200	COVER DARIY ROOM	GPPS	1	
81	3019012900	POCKET DAIRY	HIPS	1	
82	3011162100	CASE EGG	GPPS	1	
83	3019013200	POCKET MULTI	HIPS	1	
84	3012509600	GUIDE POCKET	HIPS	1	
85	3019013300	POCKET JUMBO	HIPS	1	
86	3019013400	POCKET BOTTLE	HIPS	1	

NO	PART CODE	PART NAME	PART DESCRIPTION	Q'TY	REMARK
71	30100898A0	ASSY F DOOR	White PCM	1	CFC
	30100898B0		White High-glossy Laminasheet	1	CFC
	30100898C0		Beige PCM	1	CFC
	30100898D0		Beige High-glossy Laminasheet	1	CFC
	30100898E0		Light Gray High-glossy Laminasheet	1	CFC
	30100898F0		Daewoo Silver	1	CFC
	30100898G0		White Embo PCM	1	CFC
	30100898H0		Beige Embo PCM	1	CFC
	30100898J0		White PCM	1	HCFC
	30100898K0		White High-glossy Laminasheet	1	HCFC
	30100898L0		Beige PCM	1	HCFC
	30100898M0		Beige High-glossy Laminasheet	1	HCFC
	30100898N0		Light Gray High-glossy Laminasheet	1	HCFC
	30100898P0		Daewoo Silver	1	HCFC
	30100898Q0		White Embo PCM	1	HCFC
	30100898R0		Beige Embo PCM	1	HCFC
77	30100336A0	ASSY R DOOR	White PCM	1	CFC
	30100336B0		White High-glossy Laminasheet	1	CFC
	30100336C0		Beige PCM	1	CFC
	30100336D0		Beige High-glossy Laminasheet	1	CFC
	30100336E0		Light Gray High-glossy Laminasheet	1	CFC
	30100336H0		Daewoo Silver	1	CFC
	30100336J0		White Embo PCM	1	CFC
	30100336K0		Beige Embo PCM	1	CFC
	30100336L0		White PCM	1	HCFC
	30100336M0		White High-glossy Laminasheet	1	HCFC
	30100336N0		Beige PCM	1	HCFC
	30100336P0		Beige High-glossy Laminasheet	1	HCFC
	30100336Q0		Light Gray High-glossy Laminasheet	1	HCFC
	30100336R0		Daewoo Silver	1	HCFC
	30100336S0		White Embo PCM	1	HCFC
	30100336T0		Beige Embo PCM	1	HCFC
	30100336AK		White PCM	1	Key type CFC
	30100336BK		White High-glossy Laminasheet	1	Key type CFC
	30100336CK		Beige PCM	1	Key type CFC
	30100336DK		Beige High-glossy Laminasheet	1	Key type CFC
	30100336EK		Light Gray High-glossy Laminasheet	1	Key type CFC
	30100336HK		Daewoo Silver	1	Key type CFC
	30100336JK		White Embo PCM	1	Key type CFC
	30100336KK		Beige Embo PCM	1	Key type CFC
	30100336LK		White PCM	1	Key type HCFC
	30100336MK		White High-glossy Laminasheet	1	Key type HCFC
	30100336NK		Beige PCM	1	Key type HCFC
	30100336PK		Beige High-glossy Laminasheet	1	Key type HCFC
	30100336QK		Light Gray High-glossy Laminasheet	1	Key type HCFC
	30100336RK		Daewoo Silver	1	Key type HCFC
	30100336SK		White Embo PCM	1	Key type HCFC
	30100336TK		Beige Embo PCM	1	Key type HCFC

7. FR-4505K

7-1. EXPLODED VIEW



7-2. PART LIST

1) FR-4505K(# : Refer to PPL in <http://svc.dwe.co.kr>)

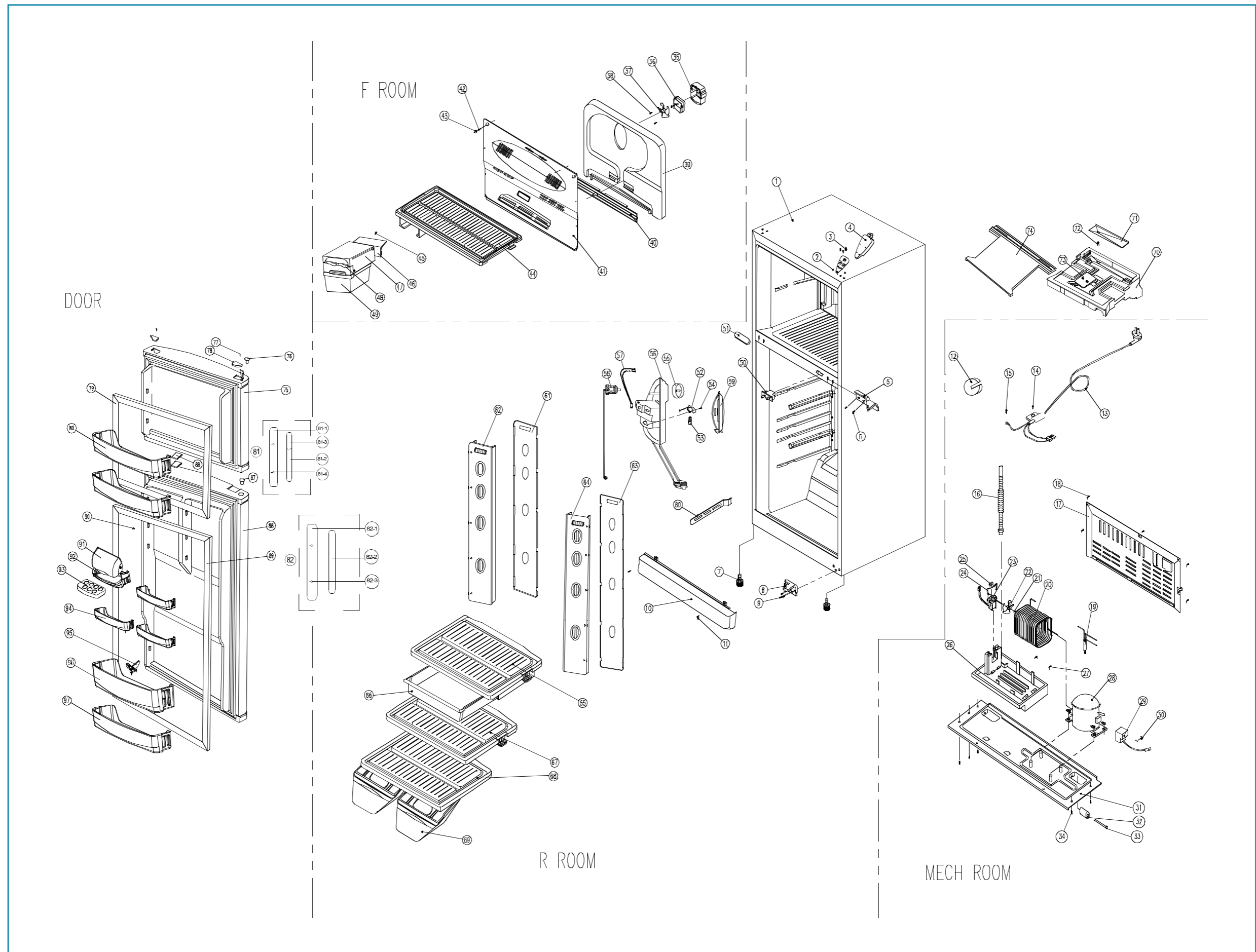
NO	PART CODE	PART NAME	PART DESCRIPTION	Q'TY	REMARK
1	3010031200	ASSY CAB URT	FRM(P)-371	1	
2	3012911500	HINGE *T	SPCC T2	1	
3	3012905400	SPECIAL BOLT T/U	6X22 SWCH22A(WH)	3	
4	3011449800	COVER *T HI	HIPS	1	
5	3012911400	HINGE *M AS	DC-2 ZN	1	
6	3016001220	SPECIAL BOLT M	6X20 SWCH22A(WH)	2	
7	3012101300	FOOT ADJUST AS	PP	2	
8	3012911300	HINGE *U AS	SPHC-H T4	1	
9	3012905400	SPECIAL BOLT T/U	6X22 SWCH22A(WH)	3	
10	3011450200	COVER CAB BRKT	PP	1	
11	7112401211	SCREW TAPPING	T1TRS 4X12 MFZN	2	
12	3010103700	ABSORBER SUC P	NR	1	
13	3011302012	CORD POWER AS		1	250V/16A
14	7112401211	SCREW TAPPING	T1TRS 4X12 MFZN	1	
15	7001400865	SCREW MACHINE	PAN 4X8 BSNI	1	
16	3013202700	HOSE DRN B	PP	1	
17	3012405800	GRILLE	SBHG1	1	
18	7112401211	SCREW TAPPING	T1TRS 4X12 MFZN	5	
19	3016805500	DRYER AS		1	
20	3014433500	PIPE WICON	TSW OD4.76XT0.7XL14560	1	
21	3011200400	CLAMP FAN	SUS304	1	
22	3011800400	FAN		1	
23		MOTOR C		1	
24	3012004400	FIXTURE C MOTR	SUS	1	
25	3010102100	ABSORBER C MOTR	*NR,FRB-5350NT*	1	
26	3011161900	CASE VAPORI	PP	1	
27	7112401211	SCREW TAPPING	T1TRS 4X12 MFZN	2	
28		COMPRESSOR		1	
29	3018116610	SWITCH P-RELAY AS		1	
30	3012610000	CLAMP BRAND RELAY	SK-5 T0.7	1	
31	3010318400	BASE COMP	SBHG1	1	
32	3016500000	CASTER *B	PP OD36XL37	2	
33	3014902900	SHAFT CASTER *B	*SPH, T1, OD6XL51*	2	
34	3016003300	SPECIAL BOLT	T2 M6.5X20	4	
35	3012007900	FIXTURE MOTR B	PP	1	
36		MOTOR F		1	
37	3011802200	FAN	ABS(OD110)	1	
38	7112401211	SCREW TAPPING	T1TRS 4X12 MFZN	2	
39	3013336310	INSU F LUVR	EPS	1	
40	3013402600	KNOB F CONTL	PP	1	
41	3018910400	LOUVER F	HIPS	1	
42	7112401611	SCREW TAPPING	T1TRS 4X16 MFZN	2	
43	3010924600	CAP F-LUVR	HIPS T2.3	2	

NO	PART CODE	PART NAME	PART DESCRIPTION	Q'TY	REMARK
44	3017821600	SHELF F	HIPS T3.0	1	
45	3012509700	GUIDE ICE CASE	HIPS	1	
46	3011162200	CASE ICE	PP	1	
47	3010518900	BOX ICE	GPPS	1	
48	3018100050	SWITCH DR	DSD-5(220V)	1	
49	3010936100	CAP DV *M HI HOLE	ABS	1	
50	3011449900	COVER R CONTL BOX	HIPS	1	
51	3013402500	KNOB R CONTL	ABS	1	
52	3017903610	SOCKET R LAMP AS		1	
53	3013600080	LAMP AS	240V/15W	1	
54	7121300811	SCREW TAPPING	T2 PAN 3X8 MFZN	1	
55	3012733700	HARNESS R-THERMO		1	
56	3018301500	THERMOSTAT	GNF-175D	1	
57	3015505200	WINDOW LAMP	PP	1	
58	3011439500	COVER CUBIC	HIPS	2	
59	3017460900	INSU R *S *L	F-PS	1	
60	3018910200	LOUVER R *S *L	PP	1	
61	3017461000	INSU R *S *R	F-PS	1	
62	3018910300	LOUVER R *S *R	PP	1	
63	3017821700	SHELF R	SWRM-B	2	
64	3011451400	COVER VEGETB	GPPS	1	
65	3011162400	CASE VEGETB	GPPS	1	
66	3013336000	INSULATOR F A	EPS	1	
67	3012509900	GUIDE DRN	AL 0.4T	1	
68	3014433400	PIPE DRN	AL 1.0T	1	
69	3012009400	FIXTURE R CONTL COVR	PP	1	
70	3013336100	INSULATOR F B	EPS	1	
71		ASSY F DR		1	
72	3011450400	COVER CAP HOLE B	PP	1	
73	3011450500	COVER T HI HRNS *L	PP	1	
74	7112401211	SCREW TAPPING	T1TRS 4X12 MFZN		
75	3012301420	GASKET F DR AS	PVC	1	
76	3011450300	COVER CAP HOLE A	PP	1	
77		ASSY R DR		1	
78	3012301720	GASKET R DR AS	PVC	1	
79	3011451300	COVER DARIY ROOM	GPPS	1	
80	3019013000	POCKET DAIRY	HIPS	1	
81	3011162100	CASE EGG	GPPS	1	
82	3019013200	POCKET MULTI	HIPS	1	
83	3012509600	GUIDE POCKET	HIPS	1	
84	3019013300	POCKET JUMBO	HIPS	1	
85	3019013400	POCKET BOTTLE	HIPS	1	

NO	PART CODE	PART NAME	PART DESCRIPTION	Q'TY	REMARK
71	30100899A0	ASS'Y F DOOR	White PCM	1	CFC
	30100899B0		White High-glossy Laminasheet	1	CFC
	30100899C0		Beige PCM	1	CFC
	30100899D0		Beige High-glossy Laminasheet	1	CFC
	30100899E0		Light Gray High-glossy Laminasheet	1	CFC
	30100899F0		Daewoo Silver	1	CFC
	30100899G0		White Embo PCM	1	CFC
	30100899H0		Beige Embo PCM	1	CFC
	30100899J0		White PCM	1	HCFC
	30100899K0		White High-glossy Laminasheet	1	HCFC
	30100899L0		Beige PCM	1	HCFC
	30100899M0		Beige High-glossy Laminasheet	1	HCFC
	30100899N0		Light Gray High-glossy Laminasheet	1	HCFC
	30100899P0		Daewoo Silver	1	HCFC
	30100899Q0		White Embo PCM	1	HCFC
	30100899R0		Beige Embo PCM	1	HCFC
77	30100336A0	ASS'Y R DOOR	White PCM	1	CFC
	30100336B0		White High-glossy Laminasheet	1	CFC
	30100336C0		Beige PCM	1	CFC
	30100336D0		Beige High-glossy Laminasheet	1	CFC
	30100336E0		Light Gray High-glossy Laminasheet	1	CFC
	30100336H0		Daewoo Silver	1	CFC
	30100336J0		White Embo PCM	1	CFC
	30100336K0		Beige Embo PCM	1	CFC
	30100336L0		White PCM	1	HCFC
	30100336M0		White High-glossy Laminasheet	1	HCFC
	30100336N0		Beige PCM	1	HCFC
	30100336P0		Beige High-glossy Laminasheet	1	HCFC
	30100336Q0		Light Gray High-glossy Laminasheet	1	HCFC
	30100336R0		Daewoo Silver	1	HCFC
	30100336S0		White Embo PCM	1	HCFC
	30100336T0		Beige Embo PCM	1	HCFC
	30100336AK		White PCM	1	Key type CFC
	30100336BK		White High-glossy Laminasheet	1	Key type CFC
	30100336CK		Beige PCM	1	Key type CFC
	30100336DK		Beige High-glossy Laminasheet	1	Key type CFC
	30100336EK		Light Gray High-glossy Laminasheet	1	Key type CFC
	30100336HK		Daewoo Silver	1	Key type CFC
	30100336JK		White Embo PCM	1	Key type CFC
	30100336KK		Beige Embo PCM	1	Key type CFC
	30100336LK		White PCM	1	Key type HCFC
	30100336MK		White High-glossy Laminasheet	1	Key type HCFC
	30100336NK		Beige PCM	1	Key type HCFC
	30100336PK		Beige High-glossy Laminasheet	1	Key type HCFC
	30100336QK		Light Gray High-glossy Laminasheet	1	Key type HCFC
	30100336RK		Daewoo Silver	1	Key type HCFC
	30100336SK		White Embo PCM	1	Key type HCFC
	30100336TK		Beige Embo PCM	1	Key type HCFC

8. FR-4506K

8-1. EXPLODED VIEW



8-2. PART LIST

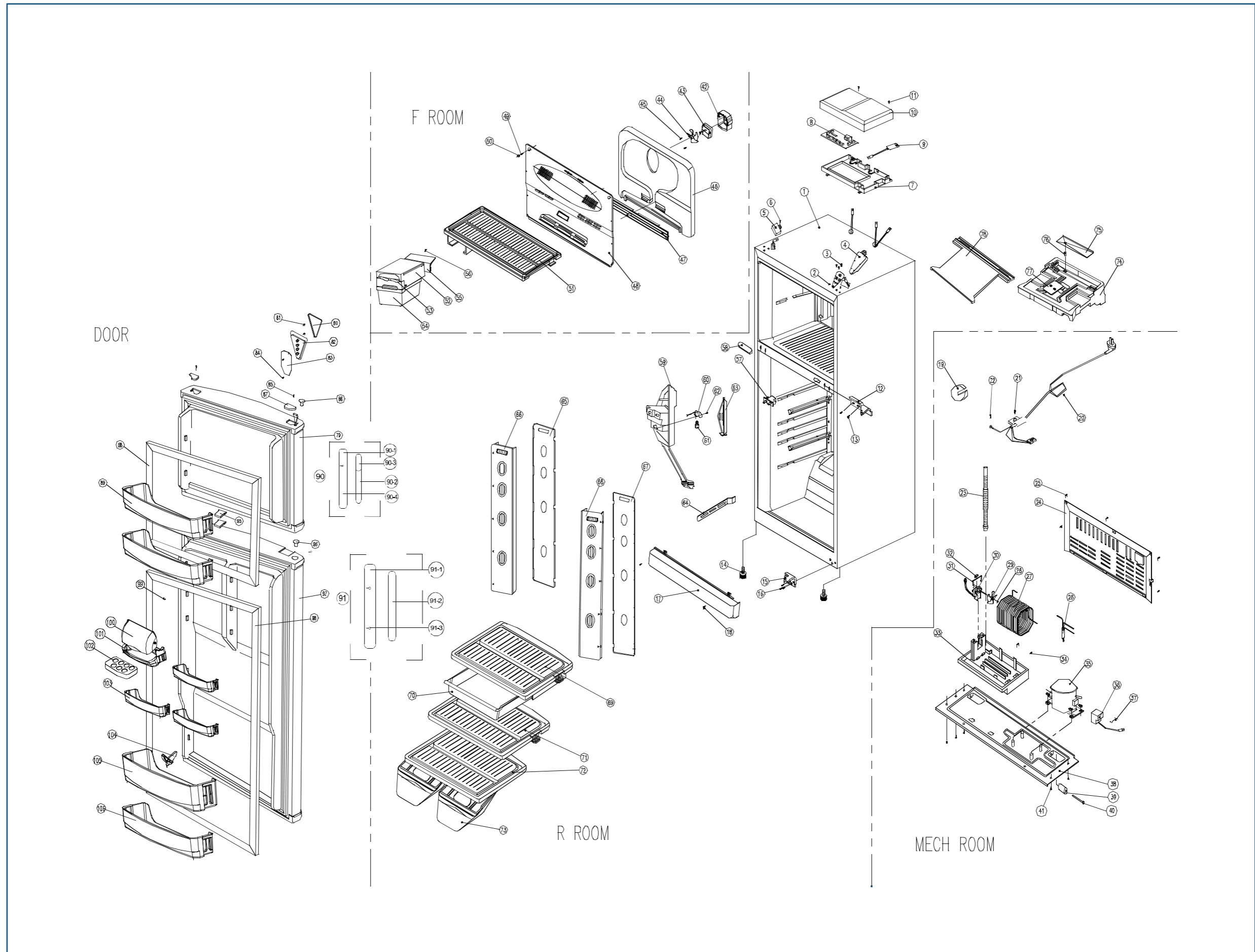
1) FR-4506K(# : Refer to PPL in <http://svc.dwe.co.kr>)

NO	PART CODE	PART NAME	PART DESCRIPTION	Q'TY	REMARK
1	3010031200	ASSY CAB URT	FRM(P)-371	1	
2	3012911500	HINGE *T	SPCC T2	1	
3	3012905400	SPECIAL BOLT T/U	6X22 SWCH22A(WH)	3	
4	3011449800	COVER *T HI	HIPS	1	
5	3012911400	HINGE *M AS	DC-2 ZN	1	
6	3016001220	SPECIAL BOLT M	6X20 SWCH22A(WH)	2	
7		FOOT ADJUST AS		2	
8	3012911300	HINGE *U AS	SPHC-H T4	1	
9	3012905400	SPECIAL BOLT T/U	6X22 SWCH22A(WH)	3	
10	3011450200	COVER CAB BRKT	PP	1	
11	7112401211	SCREW TAPPING	T1TRS 4X12 MFZN	2	
12	3010103700	ABSORBER SUC P	NR	1	
13	3011302012	CORD POWER AS		1	250V/16A
14	7112401211	SCREW TAPPING	T1TRS 4X12 MFZN	1	
15	7001400865	SCREW MACHINE	PAN 4X8 BSNI	1	
16	3013202700	HOSE DRN B	PP	1	
17	3012405800	GRILLE	SBHG1	1	
18	7112401211	SCREW TAPPING	T1TRS 4X12 MFZN	5	
19	3016805500	DRYER AS		1	
20	3014433500	PIPE WICON	TSW OD4.76XT0.7XL14560	1	
21	3011200400	CLAMP FAN	SUS304	1	
22	3011800400	FAN		1	
23		MOTOR C		1	
24	3012004400	FIXTURE C MOTR	SUS	1	
25	3010102100	ABSORBER C MOTR	NR,FRB-5350NT	1	
26	3011161900	CASE VAPORI	PP	1	
27	7112401211	SCREW TAPPING	T1TRS 4X12 MFZN	2	
28		COMPRESSOR		1	
29	3018116610	SWITCH P-RELAY AS		1	
30	3012610000	CLAMP BRAND RELAY	SK-5 T0.7	1	
31	3010318400	BASE COMP	SBHG1	1	
32	3016500000	CASTER *B	PP OD36XL37	2	
33	3014902900	SHAFT CASTER *B	"SPH, T1, OD6XL51"	2	
34	3016003300	SPECIAL BOLT	T2 M6.5X20	4	
35	3012007900	FIXTURE MOTR B	PP	1	
36		MOTOR F		1	
37	3011802200	FAN	ABS(OD110)	1	
38	7112401211	SCREW TAPPING	T1TRS 4X12 MFZN	2	
39	3013336310	INSU F LUVR	EPS	1	
40	3013402600	KNOB F CONTL	PP	1	
41	3018910400	LOUVER F	HIPS	1	
42	7112401611	SCREW TAPPING	T1TRS 4X16 MFZN	2	
43	3010924600	CAP F-LUVR	HIPS T2.3	2	
44	3017821600	SHELF F	HIPS T3.0	1	
45	3013002300	HOLDER ICE SAS	HIPS	1	
46	3012201900	FRAME ICE CASE SAS		1	
47		BOX ICE		1	
48	3012509800	GUIDE TWIST ICE	HIPS	1	
49	7112401208	SCREW TAPPING	T1 TRS 4X10 SUS	1	

NO	PART CODE	PART NAME	PART DESCRIPTION	Q'TY	REMARK
50	3018100050	SWITCH DR	DSD-5(220V)	1	
51	3010936100	CAP DV *M HI HOLE	ABS	1	
52	3017903610	SOCKET R LAMP AS		1	
53	3013600080	LAMP AS	240V/15W	1	
54	7121300811	SCREW TAPPING	T2 PAN 3X8 MFZN	1	
55	3013402500	KNOB R CONTL	ABS	1	
56	3011449900	COVER R CONTL BOX	HIPS	1	
57	3012733700	HARNESS R-THERMO		1	
58	3018301500	THERMOSTAT	GNF-175D	1	
59	3015505200	WINDOW LAMP	PP	1	
60	3011439500	COVER CUBIC	HIPS	2	
61	3017460900	INSU R *S *L	F-PS	1	
62	3018910200	LOUVER R *S *L	PP	1	
63	3017461000	INSU R *S *R	F-PS	1	
64	3018910300	LOUVER R *S *R	PP	1	
65	3017821800	SHELF CHILD	GPPS	1	
66	3011162300	CASE CHILD	GPPS	1	
67	3017822000	SHELF R	GPPS	1	
68	3011451400	COVER VEGETB	GPPS	1	
69	3011162500	CASE VEGETB	GPPS	2	
70	3013336000	INSULATOR F A	EPS	1	
71	3012509900	GUIDE DRN	AL 0.4T	1	
72	3014433400	PIPE DRN	AL 1.0T	1	
73	3012009400	FIXTURE R CONTL COVR	PP	1	
74	3013336100	INSULATOR F B	EPS	1	
75		ASSY F DR		1	
79	3012301420	GASKET F DR AS	PVC	1	
80	3019013500	POCKET F	HIPS	2	
81					
81-1	3012624300	HANDLE F	ABS	1	
81-2	3011611300	DECORATOR F HANDLE A	ABS	1	
81-3	3011611410	DECORATOR F HANDLE B	ABS	1	
81-4	7002501611	SCREW MACHINE	TRS 5X15 MFZN	2	
82		ASSY R HANDLE	ABS	1	
82-1	3012624400	HANDLE R	ABS	1	
82-2	3011611500	DECORATOR R HANDLE	ABS	1	
82-3	7002501611	SCREW MACHINE	TRS 5 X15 MFZN		
88		ASSY R DR		1	
89	3012301720	GASKET R DR AS	PVC	1	
90	3010936600	CAP DR SCREW HOLE	PP	1	
91	3011451300	COVER DARIY ROOM	GPPS	1	
92	3019013000	POCKET DAIRY	HIPS	1	
93	3011162100	CASE EGG	GPPS	1	
94	3019013100	POCKET SMALL	HIPS	3	
95	3012509600	GUIDE POCKET	HIPS	1	
96	3019013300	POCKET JUMBO	HIPS	1	
97	3019013400	POCKET BOTTLE	HIPS	1	

9. FR-4506N

9-1. EXPLODED VIEW



9-2. PART LIST

1) FR-4506N(# : Refer to PPL in <http://svc.dwe.co.kr>)

NO	PART CODE	PART NAME	PART DESCRIPTION	Q'TY	REMARK
1	3010031200	ASSY CAB URT	FRM(P)-371	1	
2	3012911500	HINGE*T	SPCC T2	1	
3	3012905400	SPECIAL BOLT T/U	6X22 SWCH22A(WH)	3	
4	3011449800	COVER *T HI	HIPS	1	
5	3011449500	COVER GUIDE L/WIRE	PP	1	
6	7112401211	SCREW TAPPING	T1TRS 4X12 MFZN	1	
7	3010519800	BOX MAIN POWER	PP	1	
8		PCB MAIN AS	PP	1	
9		HARNESS RUN CON		1	
10		COVER M-PCB BOX	PP	1	
11	7112401211	SCREW TAPPING	T1TRS 4X12 MFZN	2	
12	3012911400	HINGE *M AS	DC-2 ZN	1	
13	3016001220	SPECIAL BOLT M	6X20 SWCH22A(WH)	2	
14		FOOT ADJUST AS		2	
15	3012911300	HINGE *U AS	SPHC-H T4	1	
16	3012905400	SPECIAL BOLT T/U	6X22 SWCH22A(WH)	3	
17	3011450200	COVER CAB BRKT	PP	1	
18	7112401211	SCREW TAPPING	T1TRS 4X12 MFZN	2	
19	3010103700	ABSORBER SUC P	NR	1	
20	3011302012	CORD POWER AS		1	250V/16A
21	7112401211	SCREW TAPPING	T1TRS 4X12 MFZN	1	
22	7001400865	SCREW MACHINE	PAN 4X8 BSNI	1	
23	3013202700	HOSE DRN B	PP	1	
24	3012405800	GRILLE	SBHG1	1	
25	7112401211	SCREW TAPPING	T1TRS 4X12 MFZN	5	
26	3016805500	DRYER AS		1	
27	3014433500	PIPE WICON	TSW OD4.76XT0.7XL14560	1	
28	3011200400	CLAMP FAN	SUS304	1	
29	3011800400	FAN		1	
30		MOTOR C		1	
31	3012004400	FIXTURE C MOTR	SUS	1	
32	3010102100	ABSORBER C MOTR	NR,FRB-5350NT	1	
33	3011161900	CASE VAPORI	PP	1	
34	7112401211	SCREW TAPPING	T1TRS 4X12 MFZN	2	
35		COMPRESSOR		1	
36	3018116610	SWITCH P-RELAY AS		1	
37	3012610000	CLAMP BRAND RELAY	SK-5 T0.7	1	
38	3010318400	BASE COMP	SBHG1	1	
39	3016500000	CASTER *B	PP OD36XL37	2	
40	3014902900	SHAFT CASTER *B	"SPH, T1, OD6XL51"	2	
41	3016003300	SPECIAL BOLT	T2 M6.5X20	4	
42	3012007900	FIXTURE MOTR B	PP	1	
43		MOTOR F		1	
44	3011802200	FAN	ABS(OD110)	1	
45	7112401211	SCREW TAPPING	T1TRS 4X12 MFZN	2	
46	3013336310	INSU F LUVR	EPS	1	
47	3013402600	KNOB F CONTL	PP	1	
48	3018910400	LOUVER F	HIPS	1	
49	7112401611	SCREW TAPPING	T1TRS 4X16 MFZN	2	
50	3010924600	CAP F-LUVR	HIPS T2.3	2	
51	3017821600	SHELF F	HIPS T3.0	1	
52	3013002300	HOLDER ICE SAS	HIPS	1	

NO	PART CODE	PART NAME	PART DESCRIPTION	Q'TY	REMARK
53	3012201900	FRAME ICE CASE SAS		1	
54		BOX ICE		1	
55	3012509800	GUIDE TWIST ICE	HIPS	1	
56	7112401208	SCREW TAPPING	T1 TRS 4X10 SUS	1	
57	3018100050	SWITCH DR	DSD-5(220V)	1	
58	3010936100	CAP DV *M HI HOLE	ABS	1	
59	3011450100	COVER R LAMP	HIPS	1	
60	3017903610	SOCKET R LAMP AS		1	
61	3013600080	LAMP AS	240V/15W	1	
62	7121300811	SCREW TAPPING	T2 PAN 3X8 MFZN	1	
63	3015505200	WINDOW LAMP	PP	1	
64	3011439500	COVER CUBIC	HIPS	2	
65	3017460900	INSU R *S *L	F-PS	1	
66	3018910200	LOUVER R *S *L	PP	1	
67	3017461000	INSU R *S *R	F-PS	1	
68	3018910300	LOUVER R *S *R	PP	1	
69	3017821800	SHELF CHILD	GPPS	1	
70	3011162300	CASE CHILD	GPPS	1	
71	3017822000	SHELF R	GPPS	1	
72	3011451400	COVER VEGETB	GPPS	1	
73	3011162500	CASE VEGETB	GPPS	2	
74	3013336000	INSULATOR F A	EPS	1	
75	3012509900	GUIDE DRN	AL 0.4T	1	
76	3014433400	PIPE DRN	AL 1.0T	1	
77	3012009400	FIXTURE R CONTL COVR	PP	1	
78	3013336100	INSULATOR F B	EPS	1	
79		ASSY F DR		1	
80	301550530	WINDOW FCP	GPPS	1	
81		SCREW TAPPING		1	
82	3014228600	PANEL CONTROL F	ABS	1	
83	3014228600	PCB FRONT AS	T1.6	1	
84	7121300811	SCREW TAPPING	T2 PAN 3X8 MFZN	1	
88	3012301420	GASKET F DR AS	PVC	1	
89	3019013500	POCKET F	HIPS	2	
90		ASSY F HANDLE	ABS	1	
90-1	3012624300	HANDLE F	ABS	1	
90-2	3011611300	DECORATOR F HANDLE A	ABS	1	
90-3	3011611410	DECORATOR F HANDLE B	ABS	1	
90-4	7002501611	SCREW MACHINE	TRS 5X15 MFZN	2	
91		ASSY R HANDLE	ABS	1	
91-1	3012624400	HANDLE R	ABS	1	
91-2	3011611500	DECORATOR R HANDLE	ABS	1	
91-3	7002501611	SCREW MACHINE	TRS 5X15 MFZN	2	
97		ASSY R DR		1	
98	3012301720	GASKET R DR AS	PVC	1	
99	3010936600	CAP DR SCREW HOLE	PP	1	
100	3011451300	COVER DARIY ROOM	GPPS	1	
101	3019013000	POCKET DAIRY	HIPS	1	
102	3011162100	CASE EGG	GPPS	1	
103	3019013100	POCKET SMALL	HIPS	3	
104	3012509600	GUIDE POCKET	HIPS	1	
105	3019013300	POCKET JUMBO	HIPS	1	
106	3019013400	POCKET BOTTLE	HIPS	1	