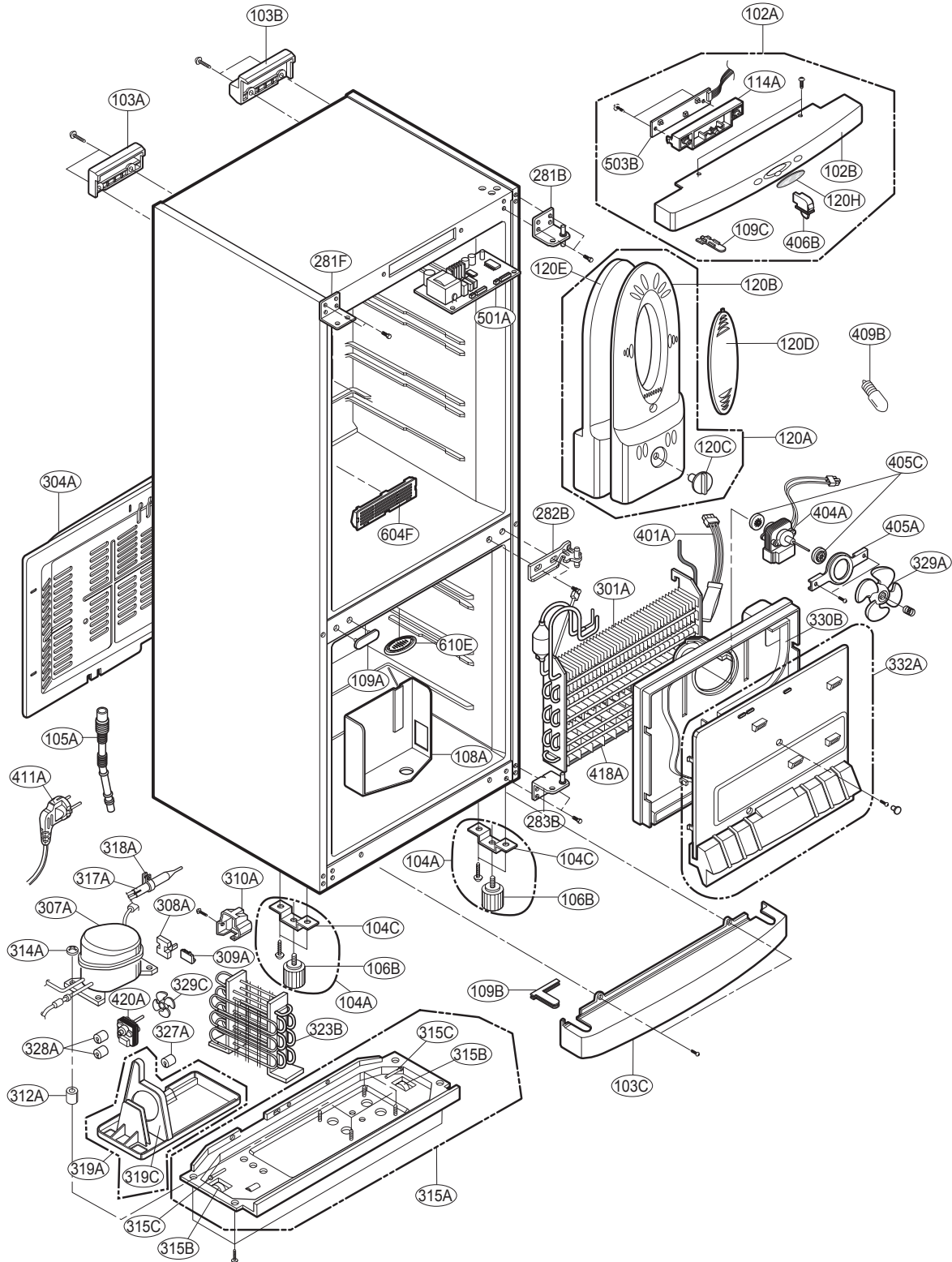


# EXPLODED VIEW & REPLACEMENT PARTS LIST

1.Ref. No : GR-349/389

▼ The parts of refrigerator and the shape of each part are subject to change in different localities.



2.Ref. No : GR-349

