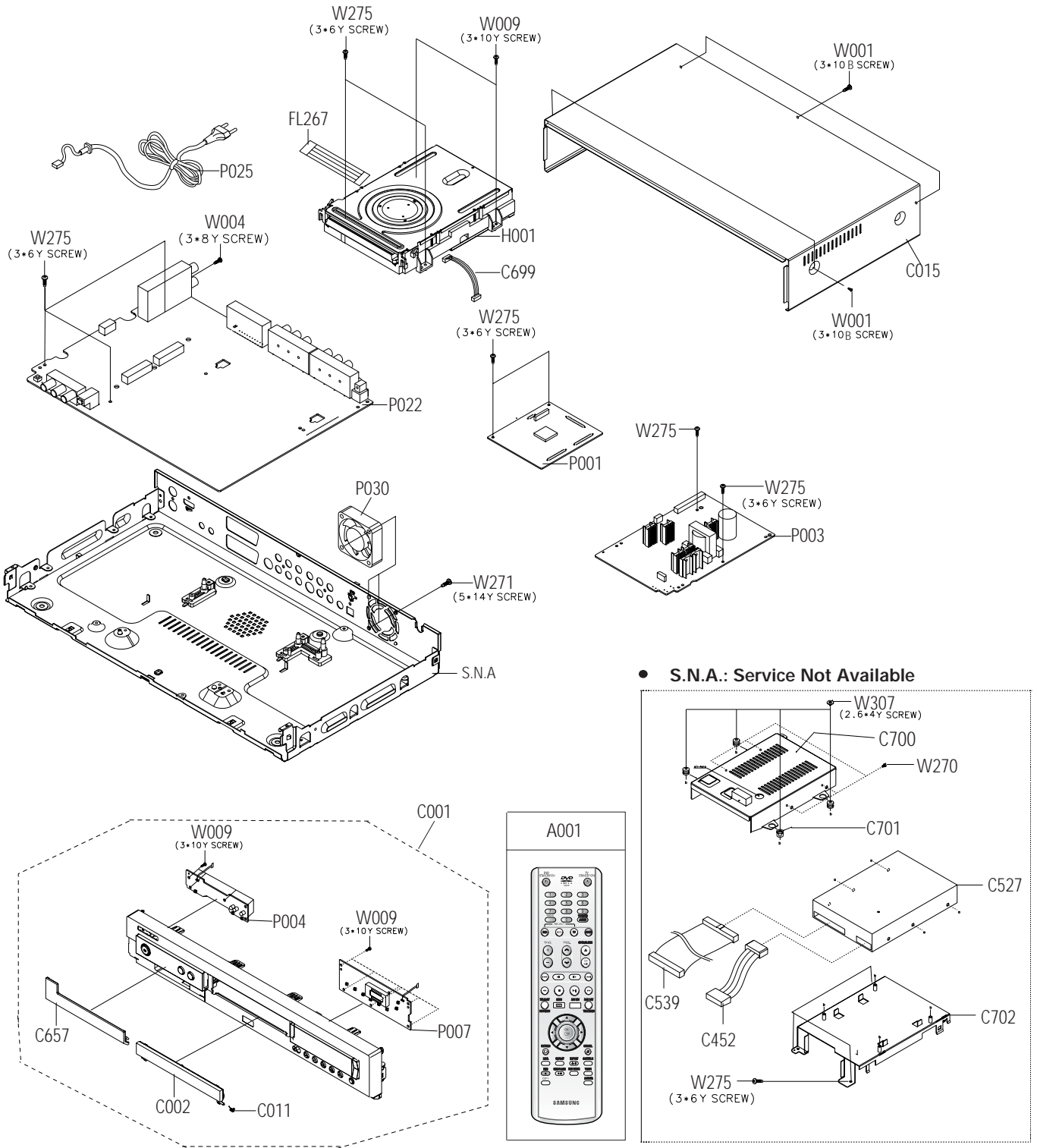

6. Exploded View and Parts List

6-1 Cabinet Assembly 6-2

6-1 Cabinet Assembly



Loc. No	Parts No.	Description ; Specification	Q'ty	S.N.A	Remark
A001	AK59-00023M	REMOCON-ASSY;DVD-HR720/XEL,XEL,210*55*21	1	SA	
C001	AK97-01270F	ASSY CABINET-FRONT;ASSY,DVD-HR720/XEV,HIP	1	SA	CIS Only
	AK97-01270E	ASSY CABINET-FRONT;ASSY,DVD-HR720/XEU,HI	1	SA	U.K Only
	AK97-01270B	ASSY CABINET-FRONT;ASSY,DVD-HR720,HIPS H	1	SA	Other Only
C002	AK64-01264A	DOOR-TRAY;DVD-HR720,HIPS V2,T2.5,H25,W15	1	SA	
C011	AK61-00137A	SPRING ETC-DOOR;DVD-R4000,COIL,,,,,PI0.	1	SA	
C015	AK64-01263B	CABINET-TOP;DVD-HR720,PCM,T0.625,W427.8,	1	SA	
C452	AK39-00050A	LEAD CONNECTOR;LEAD CONNECTOR ASS,UL 100	1	SA	
C527	AK59-00041A	HDD;80G,SV0802E/OMD,512/SECTOR,2,-	1	SA	
C539	AK39-00051A	WIRE HARNESS;CABLE ASS,2651#28 40COR,-,4	1	SA	
C657	AK64-01265B	DOOR-JACK;DVD-HR720,HIPS V2,T2.5,H18,W66	1	SA	
C699	AK39-00044A	LEAD CONNECTOR-ASSY;HS-030925-01,UL1007	1	SA	
C700	AK61-00336A	BRACKET-HDD/COVER;DVD-HR800,SECC US,T0.8	1	SA	
C701	AK73-00028A	RUBBER-HDD;DVD-HR800/XAA,BUTHYL 40Hs,10*	1	SA	
C702	AK61-00463A	BRACKET-HDD BOTTOM;DVD-HR720,SECC,T0.8,W	1	SA	
FL267	3809-001673	FFC CABLE-FLAT;30V,80C,145mm,40P,0.5mm,U	1	SA	
H001	AK97-01211A	ASSY-ASSY LOADER DRIVE;- ,SV-R250,ASSY LO	1	SA	
P001	AK92-00659B	ASSY PCB-MAIN;DVD-HR720 CIS,-	1	SA	CIS Only
	AK92-00659A	ASSY PCB-MAIN;DVD-HR720 PAL,-	1	SA	Other Only
P003	AK92-00654A	ASSY PCB-SMPS;DVD-HR720,DVD-HR720 SMPS	1	SA	
P004	AK92-00662B	ASSY PCB-KEY;DVD-HR720 PAL,LEFT	1	SA	
P007	AK92-00662A	ASSY PCB-KEY;DVD-HR720 PAL,RIGHT	1	SA	
P022	AK92-00652A	ASSY PCB-FR;DVD-HR720E/XEF,JACK PCB ASSY	1	SA	SECAM Only
	AK92-00652C	ASSY PCB-JACK;DVD-HR720/725 CIS,-	1	SA	CIS Only
	AK92-00652B	ASSY PCB-JACK;DVD-HR720/725 PAL,-	1	SA	Other Only
P025	AC39-12022K	CBF-POWER CORD;AT,,GP2,HOUING(2P),250V,3	1	SA	U.K Only
	AC39-10019A	CBF-POWER CORD;KKP-419C,H03VVH2-F,VDE/KE	1	SA	Other Only
P030	3103-001154	FAN-DC;DC 12.0V,110mA,2000rpm,0.388m^	1	SA	
W001	6003-000275	SCREW-TAPTITE;BH,+,B,M3,L10,BLK ,SWCH101	5	SA	
W004	6003-000283	SCREW-TAPTITE;BH,+,B,M3,L8,ZPC(YEL),SWRC	1	SA	
W009	6003-000276	SCREW-TAPTITE;BH,+,B,M3,L10,ZPC(YEL),SWC	13	SA	
W270	6001-000742	SCREW-MACHINE;PH,+,UNC6-32,L4.2,ZPC(WHT)	4	SA	
W271	6009-001411	SCREW-SPECIAL;TH,+, -,M5,L14,NI PLT,SWRCH	2	SA	
W275	6003-001561	SCREW-TAPTITE;BH,+,WT,B,M3,L6,ZPC(YEL),S	12	SA	
W307	6001-001868	SCREW-MACHINE;PWH,+, -,M2.6,L4,ZPC(YEL),S	4	SA	

MEMO