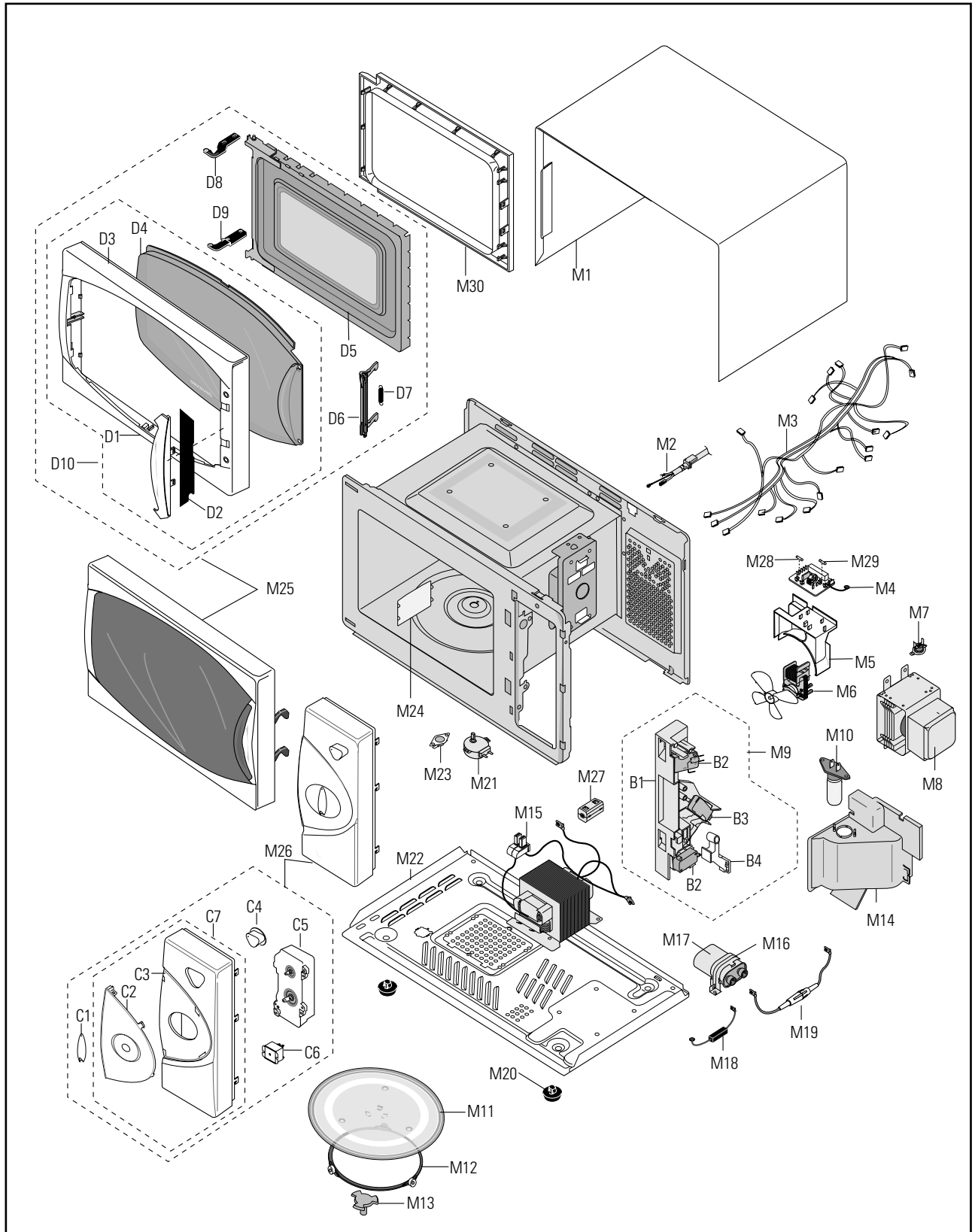


# 7. Exploded Views and Parts List

## 7-1 Exploded Views



## 7-2 Main Parts List

Ref. No.	Parts No.	Description/Specification	Q'ty	Remarks
M 1	DE70-30116W	PANEL-OUTER;SECC,T0.5,W351.7,L1014.7,WHT,M	1	
M 2	DE39-20145A	ASSY POWER CORD;MOONSUNG,-,230V50HZ,-,-,M308	1	
M 3	DE39-00053A	WIRE HARNESS-A;230V50HZ,3RD FISH2-D TYPE,-,M1714/XEF	1	
M 4	DE96-00008A	ASSY NOISE FILTER;SN-3WEB,250V10A,3W INRUSH D	1	
M 5	DE71-60467A	COVER-BLOWER;PP,-,-,-,3RD-0.7	1	
M 6	DE96-00031A	ASSY MOTOR-FAN;SMF-3RDEA,230V50HZ,2400RPM,M1733	1	
M 7	DE47-20009A	THERMOSTAT;PW2N-520PB,160/60,250V/7.5A,H,	1	MGT
M 8	DE03-30029A	MAGNETRON;OM75SH(31)ESS	1	▲
M 9	DE93-20020A	ASSY BODY LATCH;RE-43B/90B	1	
M10	4713-001004	LAMP-INCANDESCENT;230V,-,40W,ORG,-,-,25x71mm	1	
M11	DE74-20102B	TRAY-COOKING;GLASS,T5.0,PI288,780G,M745	1	
M12	DE92-90436C	ASSY-GUIDE ROLLER;MW4370W,D16.5,XAREX	1	
M13	DE67-60075A	COUPLER;PPS,7G,BRN,M97G45	1	
M14	DE71-60457A	COVER-AIR;PP,T1.7,W115.5,L150,WHT,3RD-W0	1	
M15	DE26-00014A	TRANS-H.V.;SHV-175EC,230V50HZ,2275V/3.40V,-,DY	1	▲
M16	DE61-50106A	BRACKET-HVC;SECC,T0.8,W31,L125.8	1	
M17	2501-001016	C-OIL;950nF,2.1KV,BK,35x54x80,20mm	1	
M18	DE59-40001A	DIODE-H.V.;HVR-1X-32B-12	1	
M19	DE91-70061B	ASSY-H.V.FUSE;THV060T-0750-H,5KV0.75A,RED	1	
M20	DE61-40017A	FOOT;PP(A353),BLK,MW5630T	2	
M21	DE31-10154A	MOTOR-DRIVE;M2HJ49ZR02,ST-16,50/60HZ	1	
M22	DE80-10003B	BASE-PLATE;SGCC1-Z,T0.8,W340,L550,3RD-0.7	1	
M23	DE47-20173A	THERMOSTAT;PW-2N(90/60)30,187Y,250V7.5A,9	1	CAVITY
M24	DE71-60450B	COVER-MGT;PP,T2,W110.5,L109,-,28G,3RD-0.7	1	
M25	DE92-40182M	ASSY DOOR;M1774/XEF,P/WHT,3RD-FISH2	1	▲
M26	DE94-00098A	ASSY CONTROL-BOX;230V50HZ,M1714,P-WHT,FISH2	1	▲
M27	DE73-90027A	FERRITE-CORE;NI-ZN,T13.8,W21.0,L28.0,BNF-14	1	
M28	3601-000448	FUSE-FERRULE;250V,10A,SLOW-BLOW,CERAMIC,6.3	1	
M29	3601-001126	FUSE-FERRULE;250V,1.6A,QUICK-ACTING,CERAMIC	1	
M30	DE64-40008B	DOOR-C;PP,T1.5,BLK,CE745G	1	

● : Option Parts

▲ : Warning

▲ :Electrostatically Sensitive Devices

### 7-3 Door Parts List

Ref. No.	Parts No.	Description / Specification	Q'ty	Remarks
D 1	DE64-20116B	HANDLE-DOOR;ABS,-,-,-,P/WHT,M1774,3RD-FISH2	1	
D 2	DE01-00098A	FILM-DOOR;PET,T0.13,W22.6,L201.8,-,M959,	1	
D 3	DE64-40277B	DOOR-A;ABS(HR-0370),200G,WHT(W9501),M	1	
D 4	DE64-40278E	SCREEN-DOOR;ACRYL,-,-,-,SMOG,M1774,3RD-FISH2	1	▲
D 5	DE92-50133C	ASSY DOOR-E;MW4593G,-,BLK,3RD-0.7	1	
D 6	DE64-40264C	DOOR-KEY;POM(F20-02),5g,BLK,-,2ND HANDL	1	
D 7	DE61-70033A	SPRING-KEY;ES,HSWR10,PI0.6,D6.0,L22.3,BLU	1	
D 8	DE61-80005A	HINGE-UPPER;SCP1,T2.3,ZN-COATIN,M745	1	
D 9	DE61-80004A	HINGE-LOWER;SCP1,T2.3,ZN-COATING,M745	1	
D10	DE92-40196L	ASSY DOOR;M1774/XEF,P/WHT,3RD-FISH2	1	

### 7-4 Control-Box Parts List

Ref. No.	Parts No.	Description / Specification	Q'ty	Remarks
C 1	DE64-00008A	KNOB-TIMER;ABS(HR0370),P-WHT,M1714	1	
C 2	DE71-00006A	COVER-PANEL;ABS(HR0370),-,-,-,BLK,M1714	1	
C 3	DE72-00010A	CONTROL-PANEL;,M1714,-,-,-,P-WHT,FISH2	1	
C 4	DE64-00006A	KNOB-POWER;ABS,10G,WHT,-,M1974,-,-,-	1	
C 5	DE45-00004A	TIMER;TMFK35M1B1,-,-,-,FISH,-,-,CMO/VARIABLE	1	
C 6	3501-000309	RELAY-POWER;240V,3750VA,15A,-,6mS,20mS	1	
C 7	DE94-00188A	ASSY CONTROL-PANEL;230V50HZ,M1714/XEF,P/WHT,3RD-FISH2	1	

### 7-5 Body Latch Parts List

Ref. No.	Parts No.	Description / Specification	Q'ty	Remarks
B 1	DE66-40021A	LATCH-BODY;POM(F20-02),50G,RE-330	1	
B 2	3405-000178	SWITCH-MICRO;250V,15A,200gf,SPST-NO	2	
B 3	3405-000175	SWITCH-MICRO;250V,15A,200gf,SPST-NO	1	
B 4	DE66-90054A	LEVER-SWITCH;POM(F20-02),15G,NTR,RE-330	1	

## 7-6 Standard Parts List

Parts No.	Description / Specification	Q'ty	Remarks
DE60-10012A	SCREW-TAP TITE;TH,+,3,M4,L10,SWR10,ZPC2,TOOTH	1	N/P EARTH
DE60-10012A	SCREW-TAP TITE;TH,+,3,M4,L10,SWR10,ZPC2,TOOTH	1	P/C EARTH
DE60-10012A	SCREW-TAP TITE;TH,+,3,M4,L10,SWR10,ZPC2,TOOTH	1	PCB EARTH
DE60-10063A	SCREW-TAP TH;TH,M4,L12,FEFN	1	O/PANEL
DE60-10080A	SCREW-WASHER;M5,L12,2S	4	HVT
DE60-10080A	SCREW-WASHER;M5,L12,2S	4	MGT
DE60-10082H	SCREW-A;2S-4X12,TOOTHED	1	AIR/COVER
DE60-10082H	SCREW-A;2S-4X12,TOOTHED	2	B/LATCH
DE60-10082H	SCREW-A;2S-4X12,TOOTHED	4	B/PLATE
DE60-10082H	SCREW-A;2S-4X12,TOOTHED	1	C/BLOWER
DE60-10082H	SCREW-A;2S-4X12,TOOTHED	2	C/BOX
DE60-10082H	SCREW-A;2S-4X12,TOOTHED	4	O/PANEL
DE60-10098A	SCREW-ASSY TAP TITE;PH,TC,M4X8,SWRCH18A,ZPC2,GLD,W	1	CAVITY TCO
DE60-10098A	SCREW-ASSY TAP TITE;PH,TC,M4X8,SWRCH18A,ZPC2,GLD,W	2	D/MOTOR
DE60-10098A	SCREW-ASSY TAP TITE;PH,TC,M4X8,SWRCH18A,ZPC2,GLD,W	2	MGT TCO
DE60-30016A	NUT-FLANGE;M4,MSWR10	2	F-MOTOR
DE60-10069A	SCREW-TAP TH;TH,M4,L10,FRFZY	2	SCR/DOOR
DE60-10069A	SCREW-TAP TH;TH,M4,L10,FRFZY	1	RELAY
DE60-10072A	SCREW-TAP TH;TH,M4,L16,FEFZY,2-SLOT	4	TIMER
DE60-10098A	SCREW-ASSY TAP TITE;PH,TC,M4X8,SWRCH18A,ZPC2,GLD,W	1	H.V.D
DE60-10012A	SCREW-TAP TITE;TH,+,3,M4,L10,SWR10,ZPC2,TOOTH	1	-