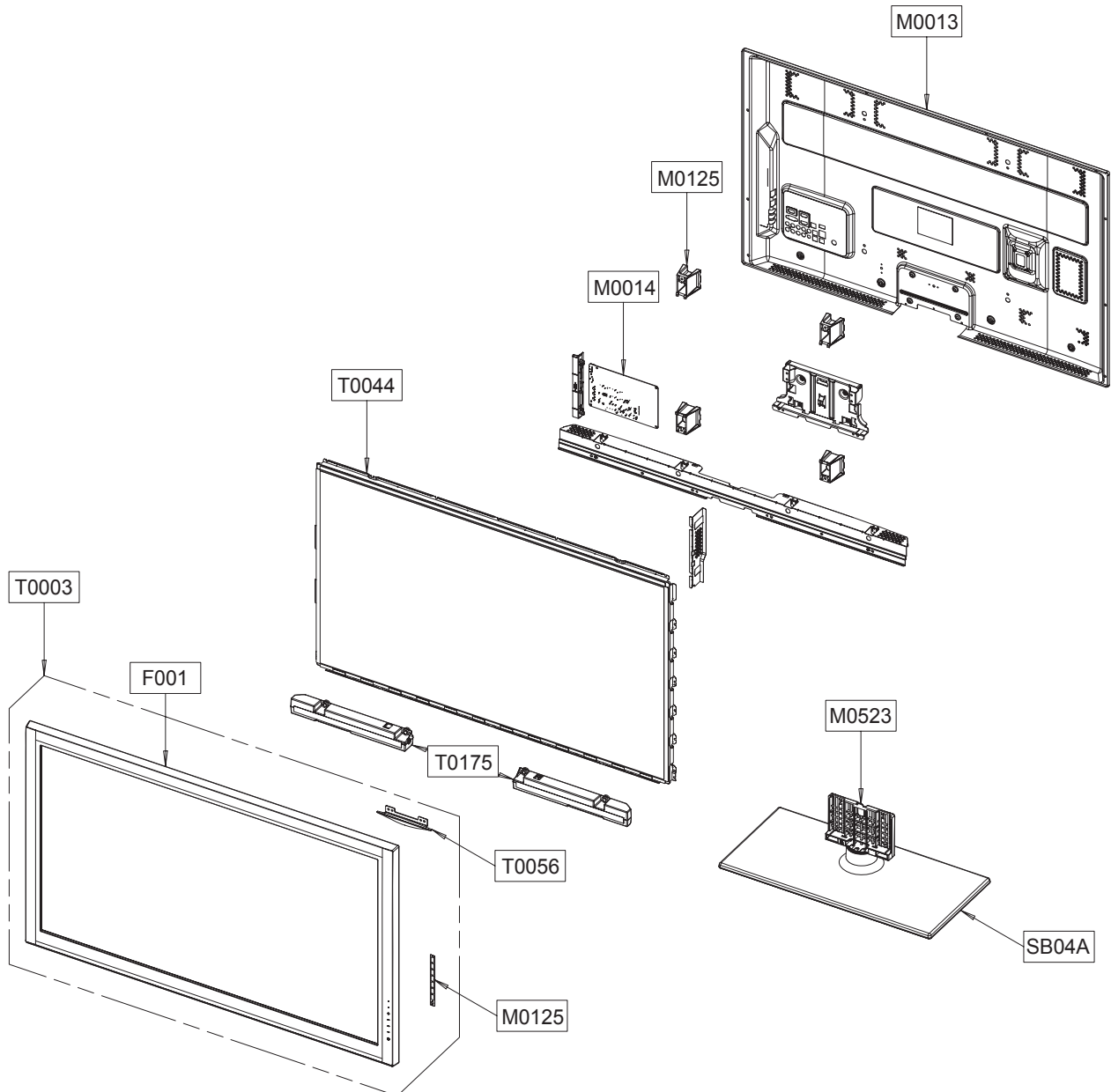


5. Exploded View & Part List

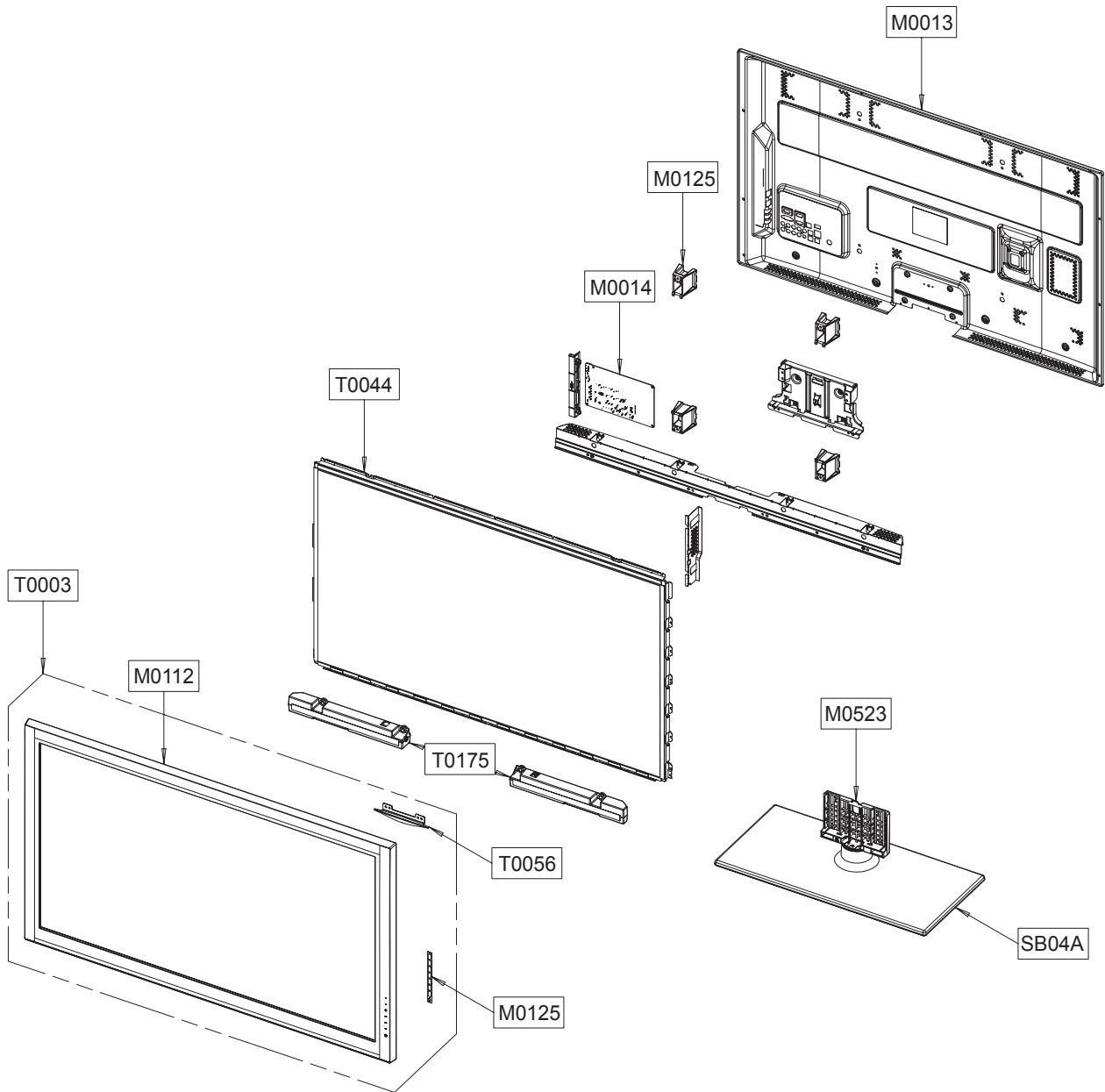
5-1 PS42C450B1WXXC Exploded View



■ Part List

Loc. No.	Part No.	Description;Specification	Qty.	SNA	Remark
F001	BN63-06449P	COVER-FRONT;PC450 42,PMMA+ABS(ROSE BLACK	1	SNA	
M0013	BN96-13004E	ASSY COVER P-REAR;PC430,PCM,T0.45,BKN-P8	1	SA	
M0014	BN94-03257B	ASSY PCB MISC-MAIN;C450	1	SA	△
M0125	BN96-13389B	ASSY BOARD P-TOUCH FUNCTION&IR;PN42C450,	1	SA	
M0125	BN61-06064A	HOLDER-WALL;42PC450,ABS HB,BLK(BK0020)	4	SNA	
M0523	BN96-11138B	ASSY STAND P-GUIDE;PC450 42/50	1	SA	
SB04A	BN96-13016D	ASSY STAND P-BASE;PC430/PC450 42/50,PC A	1	SA	
T0003	BN96-12980C	ASSY COVER P-FRONT;PC450 42,PC(Rose Blac	1	SA	
T0044	BN96-12647A	ASSY PDP MODULE P;S42AX-YB09,PL42AF070A,	1	SA	△
T0056	BN63-06455A	COVER-DECORATION;42PC450,PETG,V2,CLEAR(T	1	SNA	
T0175	BN96-12832A	ASSY SPEAKER P;6ohm,4pin,10W,L:300 R:550	1	SA	

5-2 PS50C450B1WXXC Exploded View



■ Part List

Loc. No.	Part No.	Description;Specification	Qty.	SNA	Remark
M0013	BN96-13005E	ASSY COVER P-REAR;PC430,PCM,T0.45,BKN-P8	1	SA	
M0014	BN94-03257A	ASSY PCB MISC-MAIN;C450,EUROPE	1	SA	△
M0112	BN63-06525P	COVER-FRONT;PC450 50,PMMA+ABS(ROSE BLACK	1	SNA	
M0125	BN96-13389C	ASSY BOARD P-TOUCH FUNCTION&IR;PN50C450,	1	SA	
M0125	BN61-06064A	HOLDER-WALL;42PC450,ABS HB,BLK(BK0020)	4	SNA	
M0523	BN96-11138B	ASSY STAND P-GUIDE;PC450 42/50	1	SA	
SB04A	BN96-13016D	ASSY STAND P-BASE;PC430/PC450 42/50,PC A	1	SA	
T0003	BN96-12981C	ASSY COVER P-FRONT;PC450 50,PC(Rose Blac	1	SA	
T0044	BN96-12706A	ASSY PDP MODULE P;S50HW-YB06,PL50HF010A,	1	SA	△
T0056	BN63-06455A	COVER-DECORATION;42PC450,PETG,V2,CLEAR(T	1	SNA	
T0175	BN96-12832C	ASSY SPEAKER P;6ohm,4pin,10W,L:350 R:600	1	SA	

5-3 PS42C450B1WXXC Service Item

Loc. No.	Part No.	Description;Specification	Qty.	Remark
T0175	BN96-12832A	ASSY SPEAKER P;6ohm,4pin,10W,L:300 R:550	1	
T0003	BN96-12980C	ASSY COVER P-FRONT;PC450 42,PC(Rose Blac	1	
M0125	BN96-13389B	ASSY BOARD P-TOUCH FUNCTION&IR;PN42C450,	1	
M0013	BN96-13004E	ASSY COVER P-REAR;PC430,PCM,T0.45,BKN-P8	1	
M0523	BN96-11138B	ASSY STAND P-GUIDE;PC450 42/50	1	
SB04A	BN96-13016D	ASSY STAND P-BASE;PC430/PC450 42/50,PC A	1	
M2893	BN39-01285B	LEAD CONNECTOR;PN42C450,Flat Connector A	1	
P001A	BN44-00329A	SMPS-PDP-TV;PZ-4,AC/DC,AC100~240V,50/60H	1	△
M0014	BN94-03257B	ASSY PCB MISC-MAIN;C450	1	△
CIS3	BN40-00173A	TUNER;DTOS40CVL081A,DVB-T/C,164CH,38.9MH	1	
M0251	BN96-12469F	ASSY CABLE P;PS42C450,FFC CABLE,342MM,30	1	
T0044	BN96-12647A	ASSY PDP MODULE P;S42AX-YB09,PL42AF070A,	1	△
T0037	BN96-12651A	ASSY PDP P-LOGIC MAIN BOARD;S42AX-YB09,P	1	
T0941	BN96-12652A	ASSY PDP P-E-BUFFER BOARD;S42AX-YB09,PL4	1	
T0942	BN96-12653A	ASSY PDP P-F-BUFFER BOARD;S42AX-YB09,PL4	1	
T0045	BN96-13067A	ASSY PDP P-X-MAIN BOARD;S42AX-YB09,PL42A	1	△
T0045	BN96-13068A	ASSY PDP P-X-MAIN BUFFER BOARD;S42AX-YB0	1	
T0262	BN96-13069A	ASSY PDP P-Y-MAIN BOARD;S42AX-YB09,PL42A	1	△
T1963	BN96-13070A	ASSY PDP P-Y SCAN BUFFER BOARD;S42AX-YB0	1	
T0074	BN59-01012A	REMOCON;TM950,SAMSUNG,20PIN SINGLE,48KEY	1	
T0531	BN63-06456A	COVER-BOTTOM;42PC450,HIPS,V0~V1,BLK(BK00	1	

5-4 PS50C450B1WXXC Service Item

Loc. No.	Part No.	Description;Specification	Qty.	Remark
T0003	BN96-12981C	ASSY COVER P-FRONT;PC450 50,PC(Rose Blac	1	
M0125	BN96-13389C	ASSY BOARD P-TOUCH FUNCTION&IR;PN50C450,	1	
T0175	BN96-12832C	ASSY SPEAKER P;6ohm,4pin,10W,L:350 R:600	1	
M0013	BN96-13005E	ASSY COVER P-REAR;PC430,PCM,T0.45,BKN-P8	1	
M0523	BN96-11138B	ASSY STAND P-GUIDE;PC450 42/50	1	
SB04A	BN96-13016D	ASSY STAND P-BASE;PC430/PC450 42/50,PC A	1	
M2893	BN39-01285C	LEAD CONNECTOR;PS42B450B1,FLAT CONNECTOR	1	
T0764	BN44-00330B	SMPS-PDP TV;PZ-5,AC/DC,AC100~240V,50/60H	1	△
M0014	BN94-03257A	ASSY PCB MISC-MAIN;C450,EUROPE	1	△
CIS3	BN40-00173A	TUNER;DTOS40CVL081A,DVB-T/C,164CH,38.9MH	1	
M0251	BN96-12469H	ASSY CABLE P;PS50C450,FFC CABLE,380MM,30	1	
T0044	BN96-12706A	ASSY PDP MODULE P;S50HW-YB06,PL50HF010A,	1	△
M0154	BN96-12391A	ASSY PDP P-Y-MAIN BUFFER BOARD;S50HW-YB0	1	
T0045	BN96-12950A	ASSY PDP P-X-MAIN BOARD;S50HW-YB05,PL50H	1	△
T0045	BN96-12951A	ASSY PDP P-X-MAIN BUFFER BOARD;S50HW-YB0	1	
T0262	BN96-12952A	ASSY PDP P-Y-MAIN BOARD;S50HW-YB05,PL50H	1	△
T0037	BN96-12953A	ASSY PDP P-LOGIC MAIN BOARD;S50HW-YB05,P	1	
T0941	BN96-12954A	ASSY PDP P-E-BUFFER BOARD;S50HW-YB05,PL5	1	
T0942	BN96-12955A	ASSY PDP P-F-BUFFER BOARD;S50HW-YB05,PL5	1	
T0074	BN59-01012A	REMOCON;TM950,SAMSUNG,20PIN SINGLE,48KEY	1	
T0531	BN63-06456A	COVER-BOTTOM;42PC450,HIPS,V0~V1,BLK(BK00	1	

MEMO