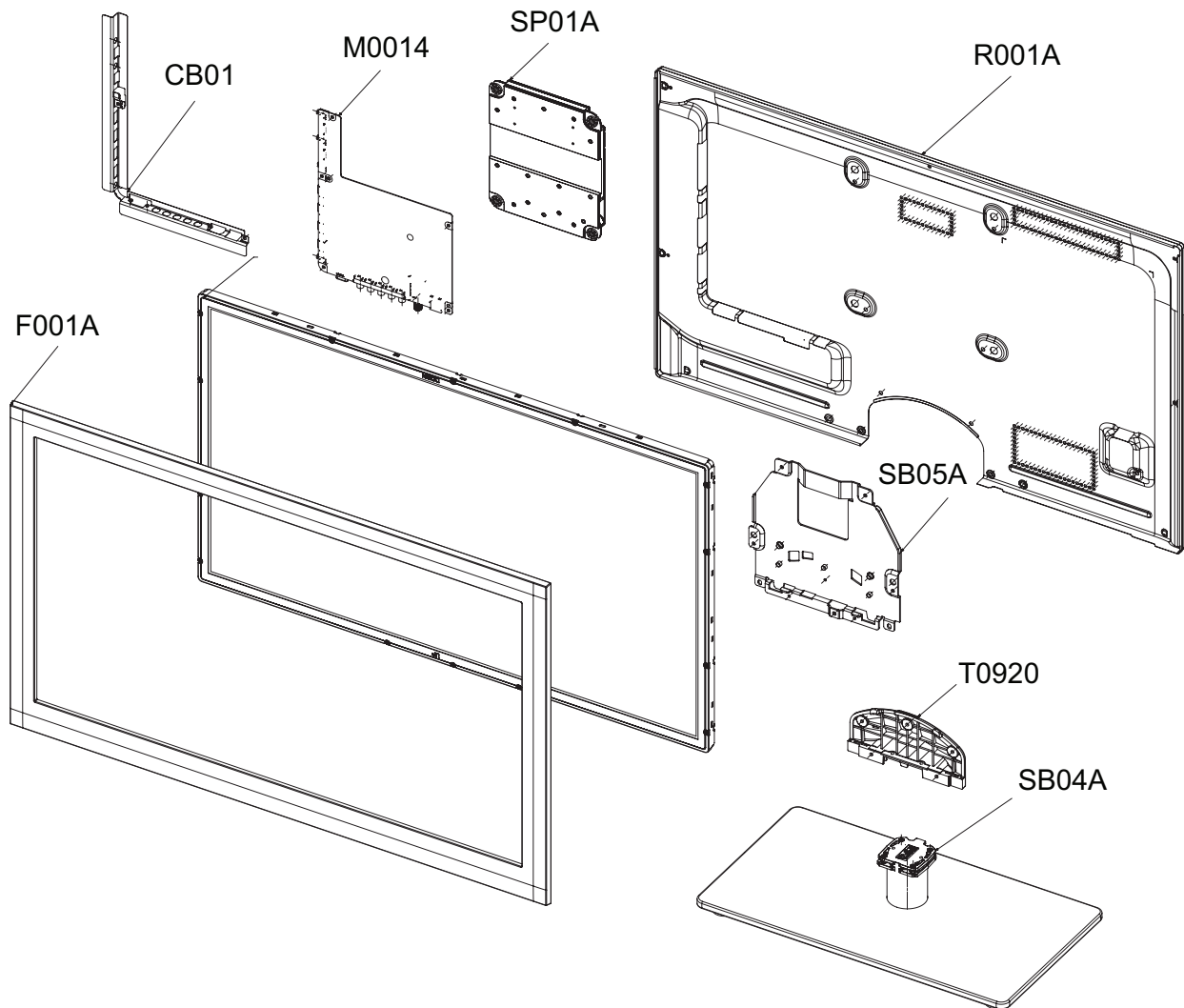


5. Exploded View & Part List

5-1. UE32C6000RW Exploded View



5-2. UE32C6000RW Parts List

Location No.	Code No.	Description & Specification	Q'ty	S.A/S.N.A	Remark
CB01	BN61-04924A	BRACKET-AV;LB700 40,PCM,T0.5,BKN-P824, P	1	SNA	
F001A	BN96-12895A	ASSY COVER P-FRONT;UC6000 32,PC(CLR)+PC(1	SA	
M0014	BN94-03364S	ASSY PCB MAIN;UE32C6000RWXXC	1	SA	
R001A	BN96-12912E	ASSY COVER P-REAR;UC6000 32,AUSTRALIA,PC	1	SA	
SB04A	BN96-12934A	ASSY STAND P-BASE;UC6400 32,SUS430,T0.6	1	SA	
SB05A	BN96-12927B	ASSY BRACKET P-STAND LINK;UC4000 32,SECC	1	SNA	
SP01A	BN96-12944C	ASSY SPEAKER P;4ohm,4pin,10W,R:70,Enclos	1	SA	
T0920	BN61-06220A	GUIDE-STAND;UC6500 32inch,PC,G/F 20%,V2,	1	SNA	

5-2-1. UE32C6000RW Parts List

Service Bom (SA: SERVICE AVAILABLE, SNA: SERVICE NOT AVAILABLE)

Level	Location No.	Code No.	Description & Specification	Q'ty	SA/SNA	Remark
0.1		BN90-02538A	ASSY COVER FRONT;UC6400 32	1	SNA	
..2	F001A	BN96-12895A	ASSY COVER P-FRONT;UC6000 32,PC(CLR)+PC(1	SA	
...3	AB326	BN61-04661A	BRACKET-STOPPER;L650,SK-5,T0.4,Plating,H	2	SNA	
...3		BN61-04692A	BOSS-PRIMER,#94,clear,35cps	0.005	SNA	
...3		BN61-05915A	BOSS-TAPE;LB650 65",T1.1,W12.0mm,DARK GR	0.27	SNA	
...3		BN61-05915B	BOSS-TAPE;LB650 65",3M #4711,T1.1,W6.0mm	0.03	SNA	
...3		BN61-06213A	BRACKET-STOPPER BOSS;C8K,SECC+SK5,T1.2	8	SNA	
...3		BN61-06215A	BRACKET-STOPPER PANEL;C8K,SK5,0.5T	1	SNA	
...3		BN61-06236A	HOLDER-BOSS BOTTOM;UC6100 32inch,ABS,HB	1	SNA	
...3	CCM1	BN63-02183F	COVER-SHEET;Rhcm,PE Vinyl,T0.04,900mm,20	0.35	SNA	
...3	CCM1	BN63-05199P	COVER-SHEET;AMBER,PE,T0.08,W1000,200M,CL	0.31	SNA	
...3	F001	BN63-06618A	COVER-FRONT;UC6000 32,PC(CLR)+PC(CHARCOA	1	SNA	
...3	T0382	BP61-00495C	HOLDER-CARE;PJT,ACRYL-FOAM,T0.25,W30.0mm	0.16	SNA	
...3	T0176	BN96-12941A	ASSY SPEAKER P;8ohm,4pin,10W,L:220 R:460	1	SA	
...3		BN60-00162Y	SPACER-FOAM;FOAM,50000mm,Dark Gray,0.35T	1.98	SA	
...3	FB21A	BN96-13047F	ASSY BOARD P-TOUCH FUNCTION&IR;UC6300,CT	1	SA	
...3		BN81-01805C	A/S-TAPE-FILAMENT;ELMATIT,T0.1,W12,L1200	0.06	SNA	
0.1	R001A	BN90-02550E	ASSY COVER REAR;UC5000 32	1	SNA	
..2	R001A	BN96-12912E	ASSY COVER P-REAR;UC6000 32,AUSTRALIA,PC	1	SA	
...3	T0069	AA63-60131R	SPACER-FELT;21Z57,FELT,325,T0.35,7	1	SNA	
...3		BN60-00162A	SPACER-FOAM;FOAM,50000L,BLK,0.35T,20W	0.73	SNA	
...3	R001	BN63-06516D	COVER-REAR;UC6500 32inch,PCM,T0.5,BKN-P8	1	SNA	
...3		BN68-02543T	LABEL-TERMINAL BOTTOM;Rev.02 UC6000,EO,P	1	SNA	
...3		BN68-02544B	LABEL-TERMINAL SIDE;Rev.01 UC5000/6000,E	1	SNA	
...3		BN96-12924A	ASSY MISC P-INSULATOR;UC6500 32,PC,T0.43	1	SNA	
....4	T0278	BN60-00122E	SPACER-SPONGE;UC6500,CR,L200,T2.0,W10	2	SNA	
....4		BN63-06629A	SHEET-INSULATOR SMPS;UC6100 32inch,PC,T0	1	SNA	
...3		BN60-00162Y	SPACER-FOAM;FOAM,50000mm,Dark Gray,0.35T	0.4	SA	
..2	T0081	6001-002610	SCREW-MACHINE;BH,+,M4,L6,ZPC(BLK),SWRCH1	7	SA	
..2	SCREW	6003-001782	SCREW-TAPTYPE;BH,+,B,M4,L12,ZPC(BLK),SWR	11	SA	
0.1	S001A	BN90-02561A	ASSY STAND;UC6400 32	1	SNA	
..2	SB04A	BN96-12934A	ASSY STAND P-BASE;UC6400 32,SUS430,T0.6	1	SA	
...3	SCREW	6003-001374	SCREW-TAPTYPE;FH,+,B,M4,L12,NI PLT,SWRCH	6	SNA	
...3		BN61-04248D	BOSS-TAPE;#4920,acryl,0.45mm,20mm,3M,whi	1.19	SNA	
...3		BN61-04692A	BOSS-PRIMER,#94,clear,35cps	0.4	SNA	
...3		BN61-06169A	BRACKET-SWIVEL BOTTOM;UC6500 32inch,SECC	1	SNA	
...3	SG01	BN61-06223A	GUIDE-STAND NECK;UC6400 32inch,PETG inse	1	SNA	
....4		BN61-06078B	GUIDE-NECK-INSERT;LC650 32,PETG HB,TP000	1	SNA	
...3		BN61-06226A	HOLDER-SWIVEL RING BOTTOM;UC6500 32inch,	1	SNA	
...3		BN61-06229A	HOLDER-SWIVEL RING TOP;UC6500 32inch,POM	1	SNA	
...3		BN61-06232A	BRACKET-STAND BOTTOM;UC6400 32inch,SECC,	1	SNA	
...3	CCM1	BN63-04755A	COVER-SHEET;AMBER,PE,T0.05,W150mm,200M,6	1.1	SNA	
...3	SC05	BN63-06623A	COVER-STAND;UC6400 32inch,Al,T0.6	1	SNA	
...3	T0527	BN68-01648B	LABEL WARNING;WW,PET,T0.05,40,25,EXPORT	1	SNA	
...3	M0126	BN73-00182A	RUBBER-FOOT;P750,CR RUBBER	4	SNA	
...3	M0126	BN73-00216A	RUBBER-FOOT;LB650,RUBBER,16*33,T2.5,Dark	4	SNA	
...3		BN74-00031A	GREASE;kanto-kasei FL-955,grease,wht	0.6	SNA	
...3		BN60-00162L	SPACER-FOAM;FOAM,50000mm,Dark Gray,0.5T,	1.2	SNA	

5. Exploded View & Part List

Level	Location No.	Code No.	Description & Specification	Q'ty	SA/SNA	Remark
..2	T0920	BN61-06220A	GUIDE-STAND;UC6500 32inch,PC,G/F 20%,V2,	1	SNA	
0.1		BN91-05070A	ASSY SHIELD;UE32C6500UWXXC	1	SNA	
..2	T0081	6001-000115	SCREW-MACHINE;BH,+,-,M3,L10,ZPC(WHT),SWR	2	SNA	
..2	T0081	6001-002283	SCREW-MACHINE;BH,+ ,M3,L5,ZPC(WHT),SWRCH1	9	SNA	
..2	P001A	BN44-00355A	SMPS-LED TV PD BD;PD37AF1E_ZSM,PSLF141BO	1	SA	
..2	FL06	BN96-12723J	ASSY CABLE P-FPCB LVDS CABLE;LED120Hz-32	1	SA	
..2	M2893	BN39-01267E	LEAD CONNECTOR;LB6T,FLAT CONNECTOR ASS'Y	1	SA	
..2	SP01A	BN96-12944C	ASSY SPEAKER P;4ohm,4pin,10W,R:70,Enclos	1	SA	
..2	T0081	6001-002610	SCREW-MACHINE;BH,+ ,M4,L6,ZPC(BLK),SWRCH1	4	SA	
..2	SCREW	6003-001782	SCREW-TAPTYPE;BH,+ ,B,M4,L12,ZPC(BLK),SWR	1	SA	
..2		BN73-00273A	SILICON/RUBBER-GAPPAD;UE46B7700,SILICON+	1	SNA	
..2	SB05A	BN96-12927B	ASSY BRACKET P-STAND LINK;UC4000 32,SECC	1	SNA	
...3		BN61-02932H	BRACKET-STOPPER NUT;LED-TV,M4,D6,L5.0,BL	2	SNA	
...3	M0115	BN61-06163A	BRACKET-STAND LINK;UC6500 32inch,SECC,T2	1	SNA	
...3		BN60-00184A	SPACER-FOAM;FOAM,30000mm,DARK GRAY,1T,30	0.12	SNA	
...3		BN61-02932K	BRACKET-STOPPER NUT;LED TV,M4,D6,L7.0,BR	3	SNA	
..2		BN81-01805D	A/S-TAPE-FILAMENT;ELMATIT,T0.1,W30,L1200	0.1	SNA	
0.1	M0017	BN91-05141A	ASSY CHASSIS;UE32C6000RWXXC	1	SNA	
..2	M0014	BN94-03364S	ASSY PCB MAIN;UE32C6000RWXXC	1	SA	
...3		0202-001608	SOLDER-WIRE FLUX;LFC7-107,D0.8,99.3Sn/0.	1	SNA	
...3		3701-001698	CONNECTOR-DSUB;15P,3ROW,FEMALE,ANGLE,NI	1	SA	
...3		3709-001603	CONNECTOR-CARD SLOT;68P(U/S LIM 60mm) W/L	1	SA	
...3		3711-007302	HEADER-BOARD TO BOARD;BOX,18P,2R,2mm,ANG	1	SA	
...3	JA330	3722-002844	JACK-PHONE;1/7P,NI,LAUREL-GREEN,ANGLE	1	SA	
...3	JA330	3722-002845	JACK-PHONE;1/7P,NI,YELLOW,ANGLE	1	SA	
...3	JA330	3722-002846	JACK-PHONE;1/6,NI,BLACK,ANGLE	2	SNA	
...3		3722-002849	JACK-MODULAR;8P/8C(ULTRA SLIM),YES,ANGLE	1	SNA	
...3	T0562	6046-001015	STAND OFF;#4-40,L5,NI PLT,C3601,M3	2	SNA	
...3	ET01	BN40-00172A	TUNER;DTOS40CVH081A,DVB-T/C,164CH,38.9MH	1	SA	
...3	CB01	BN61-04924A	BRACKET-AV;LB700 40,PCM,T0.5,BKN-P824, P	1	SNA	
...3	T0066	BN62-00071A	HEAT SINK-ES;22*22*2.6,Ceramic,T2.6,TAPE	2	SNA	
...3	T0066	BN62-00072A	HEAT SINK-ES;40*40*2.6,Ceramic,T2.6,TAPE	1	SNA	
...3		BN97-04091S	ASSY SMD;UE32C6000RWXXC,BN94-03364S	1	SNA	
....4		0202-001767	SOLDER-CREAM;LST-5710,D20-38,Sn-57Bi-1Ag	1	SNA	
....4	DS01A	0401-001056	DIODE-SWITCHING;MMBD4148SE,100V,200mA,SO	18	SA	
....4		0403-001164	DIODE-ZENER;MMSZ5232B,5.32-5.88V,500MW,S	1	SA	
....4		0403-001783	DIODE-ZENER;BZB84-C6V2,5.8/6.6V,300mW,SO	19	SNA	
....4	D0254	0404-001404	DIODE-SCHOTTKY;BAT721C,40V,200mA,SOT-23,	8	SA	
....4	T0139	0406-001200	DIODE-TVS;RCLAMP0504F,6/-V,150W,SC-70	2	SA	
....4	T0139	0406-001271	DIODE-TVS;RCLAMP0524P,6/-V,150W,SLP251	8	SNA	
....4	SD3	0407-000114	DIODE-SWITCHING;KDS184,80V,100mA,SOT-23,	1	SNA	
....4	Q101	0501-000445	TR-SMALL SIGNAL;KTC3875S-Y,NPN,150mW,SOT	12	SA	
....4		0501-000669	TR-SMALL SIGNAL;KTA1505Y,PNP,150mW,SOT-2	2	SA	
....4	CEQ2	0505-000110	FET-SILICON;2N7002,N,60V,115mA,7.5ohm,0.	3	SA	
....4	Q409	0505-000274	FET-SILICON;AO4435L,P,-30V,-11A,0.014ohm	1	SNA	
....4	Q409	0505-002386	FET-SILICON;AO3415AL,P,-20V,-4A,0.045ohm	1	SA	
....4	IC104	0801-002630	IC-CMOS LOGIC;74AHCT1G08,2-INPUT AND GAT	1	SA	
....4	ND51C2	0801-002780	IC-CMOS LOGIC;74LVC1G17,SCHMITT-TRIGGER	1	SA	
....4	IC104	0801-003330	IC-CMOS LOGIC;Octal buffer,DQFN,20P,4.5x	2	SA	
....4	IC104	0802-001012	IC-CMOS LOGIC;74LCX245,TRANSCEIVER,DQFN,	1	SNA	
....4		1001-000164	IC-ANALOG MULTIPLEX;74HC4052,CMOS,SOP,16	1	SA	

5. Exploded View & Part List

Level	Location No.	Code No.	Description & Specification	Q'ty	SA/SNA	Remark
....4	IC106	1001-001573	IC-VIDEO SWITCH;Sii9287BCNUTR,QFN,72P,10	1	SNA	
....4	IC112	1103-000129	IC-EEPROM;24C02,2Kbit,256x8,SOP,8P,5x4mm	1	SA	
....4	IC112	1103-001310	IC-EEPROM;24LC02B,256X8BIT,SOIC,8P,3.91X	1	SA	
....4	IC112	1103-001475	IC-EEPROM;M24256-BR,256Kbit,32Kx8,SOP,8P	1	SNA	
....4		1105-001931	IC-DDR2 SDRAM;K4T51163Q,DDR2-800,512Mbit	2	SA	
....4		1105-002058	IC-DDR2 SDRAM;K4T1G164QE-HCF8,DDR2,1Gbit	2	SA	
....4		1105-002075	IC-DDR2 SDRAM;K4T1G084QE-HCF8,DDR2,1Gbit	4	SA	
....4	T0085	1201-002487	IC-AUDIO AMP;MAX9728A,QFN,12P,3x3mm,DUAL	1	SA	
....4	T0124	1201-002992	IC-POWER AMP;STA369BWS,PSSO,36P,10.3x7.5	2	SA	
....4	T0087	1203-002519	IC-POSI.FIXED REG.;KIA7809AF,DPAK,3P,240	1	SA	
....4	IC012	1203-003544	IC-POSI.ADJUST REG.;RT9173BPS,SOP-8,8P,5	1	SA	
....4		1203-004363	IC-VOL. DETECTOR;RT9818C-29PV,SOT-23,3P,	1	SA	
....4		1203-004364	IC-VOL. DETECTOR;RT9818C-42PV,SOT-23,3P,	1	SA	
....4		1203-005538	IC-DC/DC CONVERTER;AOZ1021HAIL,SOP,8P,4.	3	SA	
....4		1203-006012	IC-DC/DC CONVERTER;MP8725EL,QFN14,14P,3x	1	SA	
....4	T0087	1203-006109	IC-POSI.FIXED REG.;S-1206B33-M3T1G,SOT-2	1	SA	
....4	IC012	1203-006138	IC-POSI.ADJUST REG.;AP1117DGZ-13-89,TO-2	1	SA	
....4	T0087	1203-006141	IC-POSI.FIXED REG.;S-1172B33-U5T1G,SOT-8	2	SA	
....4		1203-006142	IC-DC/DC CONVERTER;BD8924G,5P,2.9x1.6x1.	1	SA	
....4		1203-006167	IC-POSI.FIXED REG.;S-1172B12-U5T1G,SOT-8	1	SA	
....4	IC118	1204-003085	IC-VIDEO PROCESS;SDP91-PS,PBGA,496P,23x2	1	SA	
....4		1204-003100	IC-DECODER;SDP92,FCPBGAH,937P,35x35mm,PL	1	SA	
....4	IC118	1204-003101	IC-VIDEO PROCESS;SDP94,PBGA,345P,19x19mm	1	SNA	
....4		1205-003201	IC-BUS SWITCH;TC7WB125FK,SSOP,8P,2x2.3mm	1	SA	
....4		1205-003479	IC-SWITCH;TPS2051BDBVR,SOT-23,5P,2.9x1.6	1	SA	
....4		1205-003733	IC-SWITCH;AP2191MPG-13,MSOP-8L-EP,8P,2.9	1	SA	
....4		1205-003735	IC-SWITCH;AP2151WG-7,SOT25,5P,2.9x1.6mm,	1	SA	
....4		1205-003834	IC-ETHERNET CONTROLLER;RTL8201E-VC-GR,QF	1	SA	
....4		1205-003840	IC-CODEC;WM8595GEFL/RS,QFN,48P,7x7x0.9mm	1	SA	
....4		1405-001185	VARISTOR;24Vdc,1.6x0.8x0.36mm,TP	1	SA	
....4		1405-001233	VARISTOR;30Vdc,5A,1.6x0.8x0.8mm,TP	28	SA	
....4	PR6	2007-000072	R-CHIP;47ohm,5%,1/10W,TP,1608	6	SNA	
....4	MR604	2007-000137	R-CHIP;2Kohm,5%,1/16W,TP,1005	14	SNA	
....4	R105	2007-000138	R-CHIP;100ohm,5%,1/16W,TP,1005	26	SA	
....4	AR49	2007-000140	R-CHIP;1Kohm,5%,1/16W,TP,1005	25	SNA	
....4	MR306	2007-000141	R-CHIP;2.2Kohm,5%,1/16W,TP,1005	5	SNA	
....4	R319	2007-000143	R-CHIP;4.7Kohm,5%,1/16W,TP,1005	51	SNA	
....4		2007-000146	R-CHIP;6.8Kohm,5%,1/16W,TP,1005	1	SNA	
....4	R104	2007-000148	R-CHIP;10Kohm,5%,1/16W,TP,1005	25	SA	
....4	R102	2007-000149	R-CHIP;12Kohm,5%,1/16W,TP,1005	1	SA	
....4	RR33	2007-000154	R-CHIP;24Kohm,5%,1/16W,TP,1005	1	SA	
....4	AR43	2007-000155	R-CHIP;27Kohm,5%,1/16W,TP,1005	1	SNA	
....4	MR13	2007-000157	R-CHIP;47Kohm,5%,1/16W,TP,1005	18	SNA	
....4	DR39	2007-000162	R-CHIP;100Kohm,5%,1/16W,TP,1005	8	SNA	
....4	R509	2007-000170	R-CHIP;1Mohm,5%,1/16W,TP,1005	4	SNA	
....4	R111	2007-000171	R-CHIP;0ohm,5%,1/16W,TP,1005	37	SNA	
....4	HDR17	2007-000172	R-CHIP;10ohm,5%,1/16W,TP,1005	6	SNA	
....4	R338	2007-000173	R-CHIP;22ohm,5%,1/16W,TP,1005	39	SNA	
....4	UR23	2007-000174	R-CHIP;47ohm,5%,1/16W,TP,1005	8	SNA	
....4		2007-000231	R-CHIP;1.3Kohm,1%,1/10W,TP,1608	2	SA	
....4	MR39	2007-000242	R-CHIP;1.5Kohm,5%,1/16W,TP,1005	1	SNA	

5. Exploded View & Part List

Level	Location No.	Code No.	Description & Specification	Q'ty	SA/SNA	Remark
....4	UR53	2007-000305	R-CHIP;10Mohm,5%,1/10W,TP,1608	1	SA	
....4	HR12	2007-000591	R-CHIP;22ohm,1%,1/10W,TP,1608	1	SNA	
....4		2007-000606	R-CHIP;240ohm,1%,1/10W,TP,1608	2	SA	
....4	JR11	2007-000614	R-CHIP;24Kohm,1%,1/10W,TP,1608	2	SNA	
....4	KAR28	2007-000637	R-CHIP;270Kohm,5%,1/10W,TP,1608	1	SNA	
....4	R945	2007-000726	R-CHIP;300ohm,1%,1/10W,TP,1608	1	SA	
....4	R19	2007-000763	R-CHIP;330ohm,1%,1/10W,TP,1608	1	SNA	
....4	R528	2007-000835	R-CHIP;39ohm,1%,1/10W,TP,1608	1	SA	
....4	DR37	2007-000932	R-CHIP;470ohm,5%,1/16W,TP,1005	4	SNA	
....4	R740	2007-001217	R-CHIP;82ohm,5%,1/16W,TP,1005	1	SNA	
....4	OTR1	2007-001292	R-CHIP;33ohm,5%,1/16W,TP,1005	5	SNA	
....4	DR43	2007-001298	R-CHIP;51ohm,5%,1/16W,TP,1005	1	SNA	
....4	CER07	2007-001308	R-CHIP;200ohm,5%,1/16W,TP,1005	3	SNA	
....4	R326	2007-001325	R-CHIP;3.3Kohm,5%,1/16W,TP,1005	6	SNA	
....4		2007-001333	R-CHIP;18Kohm,5%,1/16W,TP,1005	1	SNA	
....4		2007-001335	R-CHIP;36Kohm,5%,1/16W,TP,1005	2	SA	
....4	MR316	2007-002796	R-CHIP;510ohm,5%,1/16W,TP,1005	1	SA	
....4	PR24	2007-002970	R-CHIP;56ohm,5%,1/16W,TP,1005	2	SA	
....4	AVR22	2007-003013	R-CHIP;2.4Kohm,5%,1/16W,TP,1005	1	SA	
....4		2007-003022	R-CHIP;62ohm,5%,1/16W,TP,1005	17	SNA	
....4		2007-007008	R-CHIP;300ohm,5%,1/16W,TP,1005	1	SNA	
....4	TR30	2007-007009	R-CHIP;75ohm,5%,1/16W,TP,1005	4	SNA	
....4	PR8	2007-007015	R-CHIP;13Kohm,5%,1/16W,TP,1005	1	SA	
....4	R365	2007-007107	R-CHIP;100Kohm,1%,1/16W,TP,1005	3	SNA	
....4		2007-007132	R-CHIP;15Kohm,1%,1/16W,TP,1005	1	SA	
....4		2007-007134	R-CHIP;39Kohm,1%,1/16W,TP,1005	1	SA	
....4		2007-007136	R-CHIP;4.7Kohm,1%,1/16W,TP,1005	6	SNA	
....4		2007-007137	R-CHIP;1.2Kohm,1%,1/16W,TP,1005	1	SA	
....4		2007-007138	R-CHIP;27Kohm,1%,1/16W,TP,1005	2	SA	
....4		2007-007139	R-CHIP;47Kohm,1%,1/16W,TP,1005	1	SA	
....4	DR4	2007-007142	R-CHIP;10Kohm,1%,1/16W,TP,1005	8	SNA	
....4		2007-007156	R-CHIP;1ohm,5%,1/16W,TP,1005	3	SNA	
....4		2007-007197	R-CHIP;3.3ohm,5%,1/16W,TP,1005	2	SNA	
....4		2007-007306	R-CHIP;100ohm,1%,1/16W,TP,1005	17	SNA	
....4		2007-007318	R-CHIP;1Kohm,1%,1/16W,TP,1005	32	SNA	
....4		2007-007352	R-CHIP;130Kohm,1%,1/10W,TP,1608	1	SA	
....4		2007-007469	R-CHIP;110ohm,1%,1/16W,TP,1005	1	SNA	
....4	HDR44	2007-007470	R-CHIP;7.5Kohm,1%,1/16W,TP,1005	2	SNA	
....4		2007-007617	R-CHIP;2.49Kohm,1%,1/10W,TP,1608	1	SA	
....4		2007-007698	R-CHIP;5.1Kohm,1%,1/16W,TP,1005	2	SNA	
....4		2007-007724	R-CHIP;40.2ohm,1%,1/10W,TP,1608	2	SA	
....4		2007-007730	R-CHIP;6.8Mohm,1%,1/10W,TP,1608	1	SA	
....4		2007-007947	R-CHIP;36ohm,1%,1/10W,TP,1608	1	SA	
....4	MR11	2007-008015	R-CHIP;75ohm,1%,1/16W,TP,1005	24	SA	
....4		2007-008263	R-CHIP;3Kohm,1%,1/16W,TP,1005	1	SA	
....4		2007-008275	R-CHIP;30Kohm,1%,1/16W,TP,1005	1	SNA	
....4		2007-008391	R-CHIP;6.34Kohm,1%,1/16W,TP,1005	1	SA	
....4		2007-008811	R-CHIP;1.5ohm,5%,1/16W,TP,1005	1	SA	
....4		2007-009853	R-CHIP;1.6Kohm,1%,1/16W,TP,1005	1	SNA	
....4		2011-001015	R-NETWORK;1Kohm,5%,1/16W,L,CHIP,8P,TP,3.	4	SA	
....4	MR38	2011-001093	R-NETWORK;100ohm,5%,1/16W,L,CHIP,8P,TP,3	1	SA	

5. Exploded View & Part List

Level	Location No.	Code No.	Description & Specification	Q'ty	SA/SNA	Remark
....4	ZRN10	2011-001261	R-NETWORK;33ohm,5%,1/16W,L,CHIP,8P,TP,2.	4	SA	
....4	DAR09	2011-001262	R-NETWORK;22ohm,5%,1/16W,L,CHIP,8P,TP,2.	25	SA	
....4		2011-001264	R-NETWORK;10ohm,5%,1/16W,L,CHIP,8P,TP,2.	6	SNA	
....4		2011-001345	R-NETWORK;10Kohm,5%,1/16W,L,CHIP,8P,TP,2	2	SA	
....4	DRP29	2011-001396	R-NETWORK;4.7Kohm,5%,1/16W,L,CHIP,8P,TP,	1	SA	
....4		2011-001427	R-NETWORK;0ohm,5%,1/16W,L,CHIP,8P,TP,2.0	1	SNA	
....4		2011-001449	R-NETWORK;22ohm,5%,1/16W,L,4P,TP,1010	8	SA	
....4		2011-001497	R-NETWORK;470ohm,5%,1/16W,L,CHIP,4P,TP,1	2	SNA	
....4	C24	2203-000041	C-CER,CHIP;0.01nF,0.25pF,50V,C0G,1608	1	SNA	
....4	AC1	2203-000125	C-CER,CHIP;1.2nF,10%,50V,X7R,TP,1608,-	6	SA	
....4	PC43	2203-000233	C-CER,CHIP;0.1nF,5%,50V,C0G,TP,1005	11	SA	
....4	MC2	2203-000254	C-CER,CHIP;10nF,10%,16V,X7R,TP,1005	6	SA	
....4	DC54	2203-000278	C-CER,CHIP;.01nF,0.5pF,50V,C0G,TP,1005	3	SA	
....4	RC34	2203-000280	C-CER,CHIP;0.01nF,0.5pF,50V,C0G,1608	3	SA	
....4	C3	2203-000384	C-CER,CHIP;0.015nF,5%,50V,C0G,1608	2	SNA	
....4	C304	2203-000405	C-CER,CHIP;0.18nF,5%,50V,C0G,1608	1	SNA	
....4	MC302	2203-000425	C-CER,CHIP;.018nF,5%,50V,C0G,TP,1005	8	SA	
....4	C254	2203-000438	C-CER,CHIP;1nF,10%,50V,X7R,TP,1005	14	SA	
....4	C507	2203-000489	C-CER,CHIP;2.2nF,10%,50V,X7R,TP,1005	3	SA	
....4	AD480	2203-000585	C-CER,CHIP;0.22nF,10%,50V,X7R,1005	1	SA	
....4	ZC14	2203-000626	C-CER,CHIP;0.022nF,5%,50V,C0G,1608	2	SNA	
....4	MC9	2203-000627	C-CER,CHIP;.022nF,5%,50V,C0G,TP,1005	1	SNA	
....4	AD480	2203-000679	C-CER,CHIP;0.027nF,5%,50V,C0G,1005	1	SNA	
....4	AD480	2203-000714	C-CER,CHIP;3.3nF,10%,50V,X7R,TP,1005,-	1	SA	
....4	DC25	2203-000812	C-CER,CHIP;.033nF,5%,50V,C0G,1005	9	SA	
....4	CK40B	2203-000838	C-CER,CHIP;0.39nF,5%,50V,C0G,TP,1608	3	SNA	
....4	C132	2203-000854	C-CER,CHIP;0.039nF,5%,50V,C0G,1005	4	SA	
....4	AD480	2203-000995	C-CER,CHIP;.047nF,5%,50V,C0G,TP,1005	3	SA	
....4	AC124	2203-000998	C-CER,CHIP;0.047nF,5%,50V,C0G,1608	2	SNA	
....4	HDC5	2203-001072	C-CER,CHIP;0.056nF,5%,50V,NP0,1005	1	SA	
....4	C101	2203-001124	C-CER,CHIP;0.68nF,10%,50V,X7R,TP,1005	1	SNA	
....4	KAC5	2203-001126	C-CER,CHIP;0.68nF,10%,50V,X7R,1608	2	SNA	
....4	AD480	2203-001428	C-CER,CHIP;470nF,10%,50V,X7R,TP,2012	1	SNA	
....4	AD480	2203-001851	C-CER,CHIP;0.016nF,5%,50V,NP0,TP,1608	2	SNA	
....4	AD480	2203-002285	C-CER,CHIP;10nF,10%,50V,X7R,1005	18	SNA	
....4	AVC08	2203-002398	C-CER,CHIP;22nF,10%,50V,X7R,1608	10	SNA	
....4	AD480	2203-002720	C-CER,CHIP;10nF,10%,25V,X7R,TP,1005	2	SNA	
....4	C711	2203-002982	C-CER,CHIP;6.8nF,10%,50V,X7R,1005	1	SA	
....4	AD480	2203-005054	C-CER,CHIP;0.0047nF,0.25pF,50V,NP0,TP,10	3	SA	
....4	DC18	2203-005138	C-CER,CHIP;1.8nF,10%,50V,X7R,1005	6	SA	
....4	AAC1	2203-005249	C-CER,CHIP;100nF,10%,50V,X7R,TP,1608	29	SNA	
....4	AD480	2203-005344	C-CER,CHIP;22nF,10%,25V,X7R,TP,1005,-	11	SNA	
....4	AD480	2203-005393	C-CER,CHIP;0.005nF,0.1pF,50V,NP0,TP,1005	2	SNA	
....4	AD480	2203-005533	C-CER,CHIP;1000nF,20%,6.3V,X7R,TP,1608	2	SNA	
....4	PC8	2203-005642	C-CER,CHIP;0.22nF,5%,50V,NP0,1005	1	SNA	
....4	AD480	2203-005968	C-CER,CHIP;4.7nF,10%,50V,X7R,TP,1005	3	SNA	
....4	AD480	2203-006039	C-CER,CHIP;1nF,10%,2000V,X7R,3216	1	SA	
....4	AD480	2203-006104	C-CER,CHIP;1000nF,10%,50V,X7R,3225	1	SNA	
....4	AD480	2203-006126	C-CER,CHIP;47nF,10%,16V,X7R,1005	3	SNA	
....4	PC11	2203-006141	C-CER,CHIP;1000nF,10%,16V,X5R,1608	3	SNA	
....4	C102	2203-006158	C-CER,CHIP;100nF,10%,16V,X7R,1005	252	SNA	

5. Exploded View & Part List

Level	Location No.	Code No.	Description & Specification	Q'ty	SA/SNA	Remark
....4	AD480	2203-006307	C-CER,CHIP;1000nF,10%,25V,X5R,2012	1	SNA	
....4	AD480	2203-006333	C-CER,CHIP;10000nF,20%,16V,X5R,TP,3216	10	SNA	
....4	AD480	2203-006336	C-CER,CHIP;10000nF,10%,25V,X5R,3216	11	SA	
....4	C125	2203-006361	C-CER,CHIP;10000nF,10%,10V,X5R,TP,2012	4	SC	
....4	HE4	2203-006474	C-CER,CHIP;22000nF,20%,6.3V,X5R,2012	12	SA	
....4	HDC11	2203-006562	C-CER,CHIP;1000nF,10%,10V,X5R,TP,1005	26	SNA	
....4	AD480	2203-006636	C-CER,CHIP;220nF,10%,25V,X7R,1608	9	SA	
....4	AD480	2203-006824	C-CER,CHIP;4700nF,10%,10V,X5R,1608	4	SNA	
....4	AD480	2203-006992	C-CER,CHIP;0.33nF,5%,50V,C0G,TP,1005	2	SNA	
....4	AD480	2203-007176	C-CER,CHIP;10000nF,10%,16V,X5R,TP,2012 (2	SNA	
....4	AD480	2203-007233	C-CER,CHIP;22000nF,10%,16V,X5R,TP,3216	2	SA	
....4	AD480	2203-007270	C-CER,CHIP;10000nF,10%,10V,X5R,TP,1608	81	SNA	
....4		2503-001051	C-NETWORK;100nFx4,20%,16V,2012	10	SA	
....4		2601-001056	TRANS-SMD,PULSE;350UH,-,1:1,1:1,12.7X6.7	1	SA	
....4	T0052	2703-000158	INDUCTOR-SMD;1uH,10%,2012	4	SA	
....4	T0052	2703-000222	INDUCTOR-SMD;560nH,10%,2012	3	SA	
....4	T0052	2703-000296	INDUCTOR-SMD;680nH,10%,1608	1	SA	
....4	VL6	2703-000398	INDUCTOR-SMD;10uH,10%,3225	8	SA	
....4	T0052	2703-001239	INDUCTOR-SMD;3.3uH,10%,1608	1	SA	
....4	T0052	2703-002238	INDUCTOR-SMD;1UH,5%,2012	2	SNA	
....4	T0052	2703-002332	INDUCTOR-SMD;330nH,5%,1608	1	SA	
....4	T0052	2703-002557	INDUCTOR-SMD;270NH,5%,1608	3	SNA	
....4	T0052	2703-003150	INDUCTOR-SMD;4.7uH,20%,5050	4	SNA	
....4		2703-003296	INDUCTOR-SMD;47uH,10%,2012	1	SNA	
....4	T0052	2703-003559	INDUCTOR-SMD;4.7uH,20%,8080	4	SNA	
....4	T0052	2703-003713	INDUCTOR-SMD;1.5uH,20%,7366	2	SA	
....4	X202	2801-003326	CRYSTAL-SMD;24MHz,30ppm,28-ABX,20pF,50oh	2	SA	
....4	X202	2801-003773	CRYSTAL-SMD;12MHz,30ppm,28-AAN,20pF,50oh	1	SA	
....4	X202	2801-003954	CRYSTAL-SMD;27MHz,30ppm,28-AAN,16pF,50oh	1	SA	
....4	X202	2801-004629	CRYSTAL-SMD;27MHz,20ppm,12pF,50ohm,TP	1	SNA	
....4	X202	2801-004734	CRYSTAL-SMD;25.000000MHz,20ppm,28-AAN,12	1	SA	
....4		2804-001878	OSCILLATOR-CLOCK;49.152MHz,50ppm,10TTL/1	1	SA	
....4	F103	2901-001506	FILTER-EMI SMD;5V,0.13A,0pF,2x1x0.5mm,TP	2	SA	
....4	T0568	3301-001236	BEAD-SMD;60ohm,1608	14	SA	
....4	T0568	3301-001404	BEAD-SMD;30ohm,2012,TP,15.9OHM/30MHz	45	SA	
....4	T0568	3301-001526	BEAD-SMD;10ohm,1.6x0.8x0.8mm,1000mA,TP,,	13	SNA	
....4	T0568	3301-002039	BEAD-SMD;26ohm,1608,TP	9	SA	
....4	T0313	3404-001207	SWITCH-TACT;12V,50mA,160gf,6.2X6.2,SPST	1	SA	
....4		3701-001293	CONNECTOR-HDMI;19P,2R,FEMALE,SMD-A,AU	4	SA	
....4	CN906	3707-001095	CONNECTOR-OPTICAL;SMD-A(Ultra Slim),SPDI	1	SA	
....4	AC510	3708-002777	CONNECTOR-FPC/FFC/PIC;82P,0.5mm/0.75mm,S	1	SA	
....4		3710-002276	SOCKET-INTERFACE;24P,1R,0.5mm,SMD-A,AU,B	1	SA	
....4	CON_US	3711-005616	HEADER-BOARD TO CABLE;BOX,10P,1R,2mm,SMD	1	SNA	
....4	HB01A	3711-007336	HEADER-BOARD TO CABLE;B0X,4P,1R,2.5mm,SM	2	SA	
....4		3722-003044	JACK-USB;4P/1C,NI,BLK,SMD-A,A-TYPE	2	SA	
....4		BN41-01444B	PCB MAIN;C6500 valencia eu,FR-4,4,1.2T,2	1	SNA	
....4		BN97-04201A	ASSY MICOM-MAIN;N84A,2009.12.24,T-VALAUS	1	SNA	
....5		1107-001818	IC-NAND FLASH;KFG1G16U2C-DIB6,1024Mbit,6	1	SNA	
....4		BN97-04244A	ASSY MICOM-SUB;T-VAL8DEUS-1003,2010.03.1	1	SNA	
....5	IC520	0903-001651	IC-MICROCONTROLLER;61P802-RG480WT,LQFP,4	1	SNA	
...3		BN97-04241A	ASSY CI PLUS;BN46-00027A,platform Euro C	1	SNA	

5. Exploded View & Part List

Level	Location No.	Code No.	Description & Specification	Q'ty	SA/SNA	Remark
...4		BN46-00027A	KEY CODE-CI PLUS;CI PLUS KEY,TCTC,SERIAL	1	SNA	
0.1		BN91-05244A	ASSY LCD-AMLCD;BN07-00858A	1	SNA	
..2	PANEL	BN07-00858A	LCD-PANEL;LTF320HF02,SSCFX,8bit,31.5,16	1	SA	
...3	TCON	BN81-04352A	A/S-T CON LTF320HF02;LTF320HF02	1	SA	
0.1		BN92-05587A	ASSY BOX;UC6400 32	1	SNA	
..2		BH68-00662A	LABEL BOX-00;ALL MODEL,MOJO 90G,60,110,W	1	SNA	
..2		BN69-05104A	BOX-SET;32UC6000-SEH,CB,A-01,DW3,YEL,W94	1	SNA	
0.1		BN92-05609A	ASSY P/MATERIAL;UC6400 32	1	SNA	
..2		BN81-02321A	BAG-AIR;LIGHT FLEX PLASTIK,PE WHITE,L120	1	SNA	
..2		BN68-02422B	LABEL-WARNING SHIPPING;ALL MODEL,A/P 100	1	SNA	
..2		BN69-05004A	CUSHION-SET;32UC6000,EPS,Horizontal pack	1	SNA	
..2		AA01-00004A	FOIL;2000,2000,NTR,SEH	1	SNA	
..2	T0603	BN69-03641A	PALLET;PS50A4,WOOD-OTH,W860,L1360,SEH	1	SNA	
..2		BN69-03934A	WRAP STRETCH FILM;All,HDPE,0.012,500,300	4	SNA	
..2		BN69-04047A	PAD PACKING-EDGE;CB,B800,W50x50,L1800,YE	1	SNA	
..2	T0214	BN74-00008A	TAPE-OPP MASKING;OPP-2,T0.05,W100,L800M,	2.3	SNA	
..2		6902-001116	BAG ROLL;HDPE/HDPE/NITRON,T0.5,W600,L175	1.8	SNA	
0.1		BN92-05838A	ASSY LABEL;UE32C6000RWXXC	1	SNA	
..2		BN68-02700A	LABEL-LED-POP;Highlight Sticker Color,PE	1	SNA	
..2	T0527	BP68-00052B	LABEL-00,RATING;CCTV,TETRON PAPER,T0.05,	1	SNA	
0.1	ACCE1	BN92-05839B	ASSY ACCESSORY;UE37C6000RWXXC	1	SNA	
..2		BN96-13318A	ASSY ACCESSORY-MANUAL;UE32C6000RWXXC	1	SNA	
...3		AA69-02656A	BAG ACCESSORY;PJT,LDPE,T0.05,L400,W280,	1	SNA	
...3		BN68-00514E	MANUAL FLYER-05,WARRANTY CARD;comm,Samsu	1	SNA	
...3		BN68-02186A	MANUAL FLYER-TOC GUIDE;COMM,SAMSUNG,11 L	1	SNA	
...3		BN68-02748A	MANUAL USERS;C6000,SAMSUNG,6LANGS,XC,W/P	1	SNA	
...3		BN68-02839D	MANUAL FLYER-WARRANTY CARD;comm,Samsung,	1	SNA	
...3		AA68-03242V	MANUAL FLYER-SAFETY GUIDE;comm,Samsung,1	1	SNA	
...3		BN68-02824B	MANUAL FLYER-01,STAND GUIDE;5 ~ 6 series	1	SNA	
..2	ACCE2	BN96-13318C	ASSY ACCESSORY-CABEL;UE32C6000RWXXC	1	SNA	
...3	EC11	3903-000525	CBF-POWER CORD;DT,CEE,LP-21L,250V,2.5A,B	1	SA	
...3	T0120	4301-000121	BATTERY-MN;1.5V,R03,10.5x44.5m,HOLDER,7.	2	SNA	
...3	M0081	6003-000133	SCREW-TAPTYPE;BH,+,-,S,M4,L8,ZPC(BLK),SW	6	SA	
...3	T0524	6902-001107	BAG PE;LDPE,T0.05,W450,L400,TRP,0,3Separ	1	SNA	
...3		BN61-05596A	HOLDER-WIRE CABLE;LED TV,LDPE,T0.8,L150,	1	SNA	
...3	M9889	BN63-01798B	CLOTH-CLEAN;cloth,180,200,sea blue,ToC	1	SA	
...3		BN69-04419E	PACKING-BAG PE;LB650,LDPE,70,90,6003-000	1	SNA	
...3		AA65-30023A	CLAMPER CORE-CABLE;NYLON-66,BLK	1	SNA	
...3		BN69-04419J	PACKING-BAG PE;UC5000,LDPE,70,90,Power-C	1	SNA	
...3	T0531	BN63-06542B	COVER-BOTTOM;UC4000 32,HIPS,V0,BK0020	1	SA	
...3	M0114	BN39-01154C	CBF SIGNAL;Chelsea Slim, STEREO Plug to	1	SA	
...3	M0114	BN39-01154F	CBF SIGNAL;UE40B7000WWXXC,24P/20P,30AWG,	1	SA	
...3	M0114	BN39-01154H	CBF SIGNAL;UE40B7000WWXXC,RCA 3PIN,30AWG	1	SA	
...3	BAG	6902-000031	BAG ZIPPER;LDPE,T0.05,W80,L160,TRP,0,0,4	1	SNA	
...3		6902-000683	BAG ZIPPER;LDPE,T0.05,W60,L60,TRP,4-PE M	1	SNA	
...3	AH365	BN61-05280A	HOLDER-RING;LB7000 46inch,ABS, HB,gray	4	SNA	
...3	M0114	BN61-05373A	HOLDER-WIRE;LB7000 46,NYRON	3	SNA	
...3		BN61-05491A	HOLDER-WIRE STAND;UB7000 46inch,NYRON	1	SNA	
...3	REMO2	BN59-01015A	REMOCON;TM1060,SAMSUNG,20PIN SINGLE,49KE	1	SA	
...3	M0081	6003-001003	SCREW-TAPTYPE;BH,+,-,B,M4,L12,ZPC(BLK),SWR	5	SA	
...3		BN69-04419D	PACKING-BAG PE;LB650,LDPE,70,90,6003-000	1	SNA	

5. Exploded View & Part List

Level	Location No.	Code No.	Description & Specification	Q'ty	SA/SNA	Remark
...3		BN69-04419K	PACKING-BAG PE;UC5000,LDPE,70,90,4X12, 5	1	SNA	