

5. EXPLODED VIEWS AND PARTS LIST



[MATERIAL CODE STANDARDS]

Material codes and names and their respective naming rules are managed in accordance with the prescribed standards. Please refer to these standards when requesting a material.

1. Material Code Type

● : Number

■ : Letter (Alphabet)

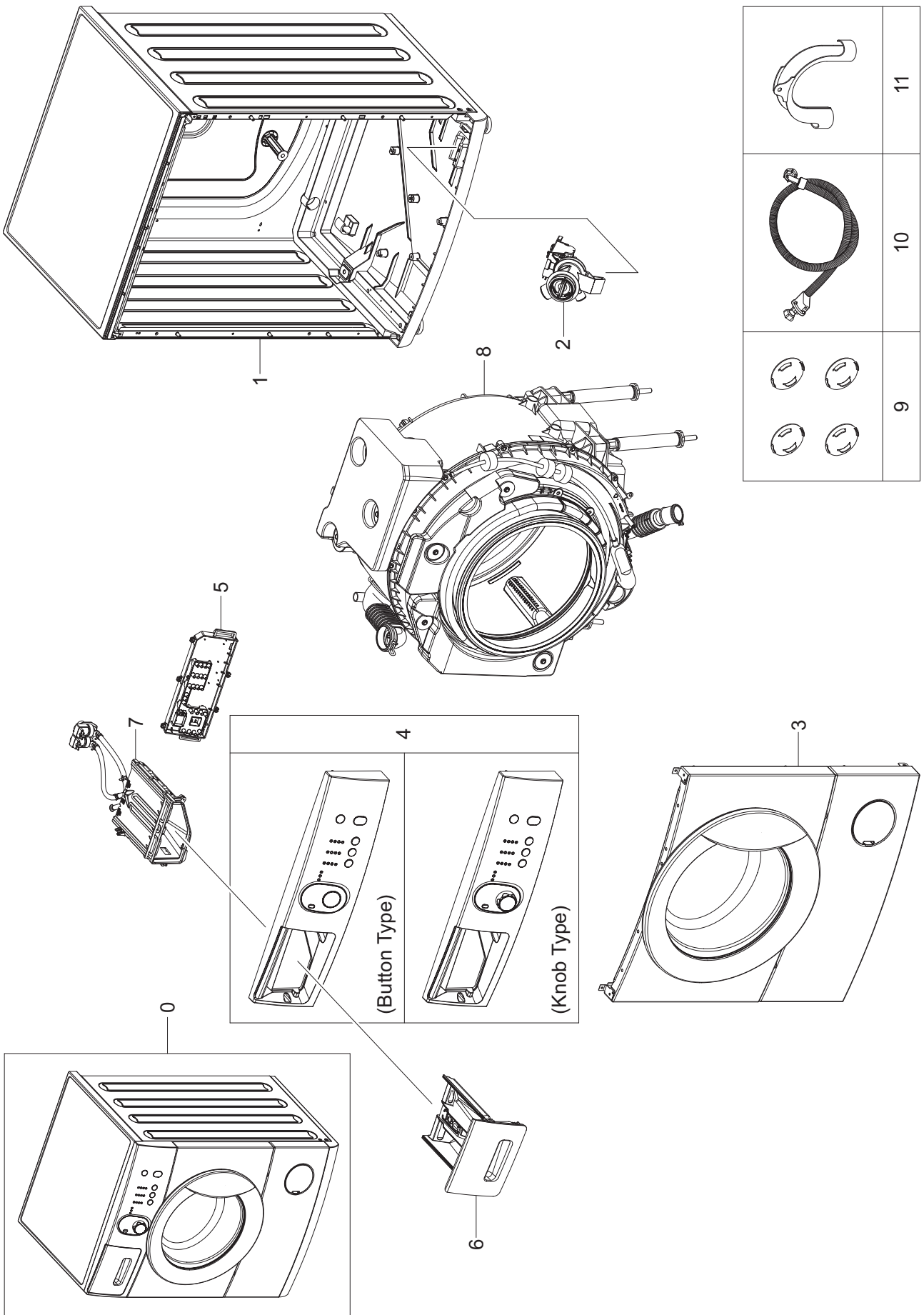
Type 1	 ex) 0204-000418 FREON	Enterprise-wide parts Type 1 materials can be used for all Samsung Electronics products. (Most electrical parts belong to this type.)
Type 2	 ex) DC96-01390A ASSY-CONTROL	Division-wide parts (DC**-Washing machine) Type 2 materials can be used for specific products. (Most instruments and tools belong to this type.)




2. Ass'y Materials

All ass'y material codes start with DC9*.

An ass'y material is created by combining more than two materials. If a requested material cannot be provided, you can request an ass'y material that contains that material.

5-1. MAIN



	11
	10
	9

MODEL CODE: WF0602NXW/XEOService Bom (**SA**: SERVICE AVAILABLE, **SNA**: SERVICE NOT AVAILABLE)

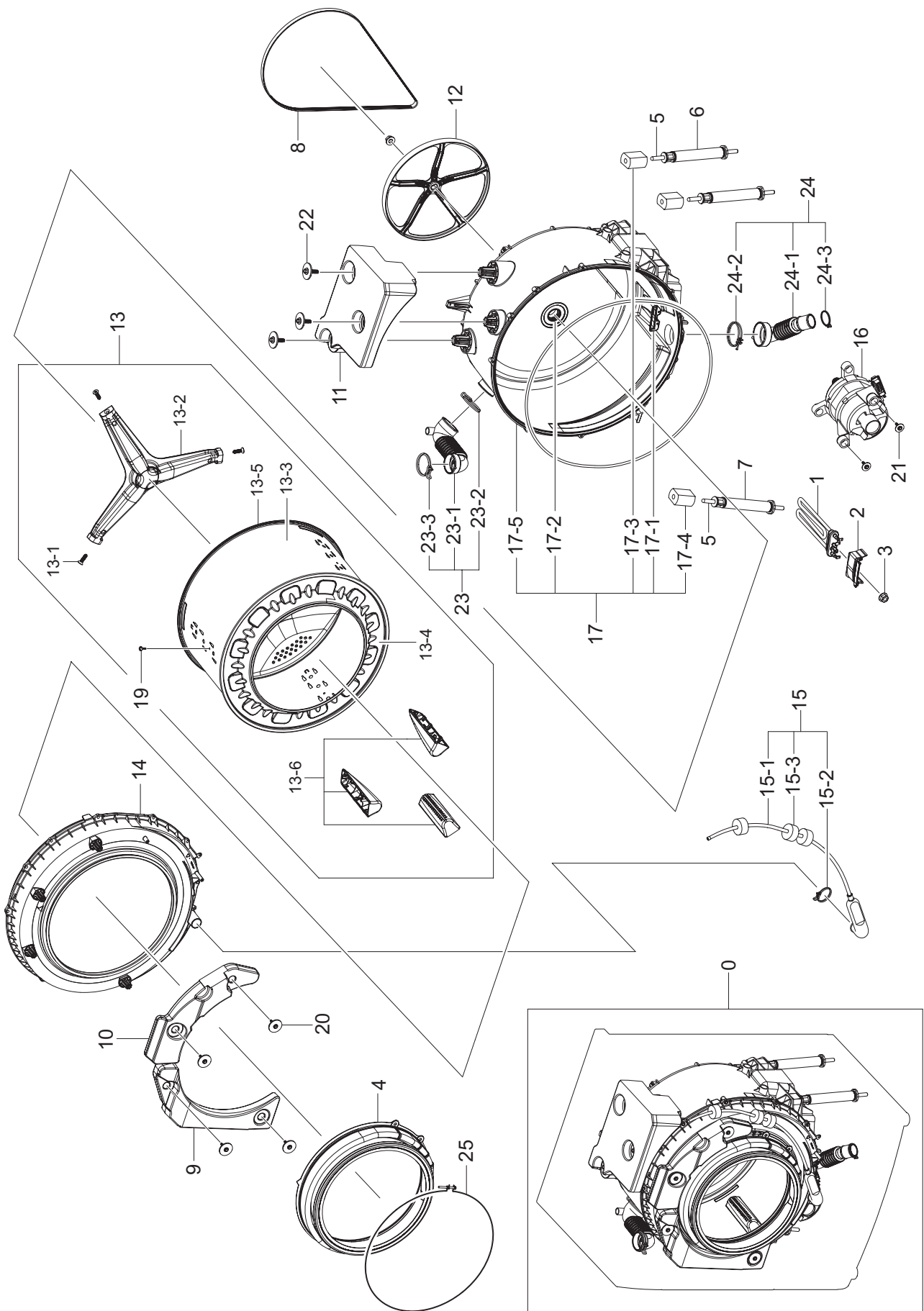
Drawing No.	Code No.	Description	Specification	QTY	Un	SA/SNA
0	WF0602NXW/XEO	SET				
1		FRAME & COVER PARTS	Refer to 5.2 Frame & Base Parts	1		
2		ASSY PUMP DRAIN	Refer to 5.2 Frame & Base Parts	1		
3		ASSY FRAME FRONT & DOOR	Refer to 5.4 Frame Front & Door Parts	1		
4	DC97-16121A	ASSY PANEL CONTROL	S-AM,WF-A602NBS,WHITE,ENGLISH	1	PC	SA
5	DC92-00365A	ASSY PCB MAIN	AMICA,WF A502NGS,5KG,230V/50Hz,POLAND 1200RPM,Y,SMPS	1	PC	SA
6	DC97-16137A	ASSY DRAWER	S-AM PJT,WF0602NXW,PP,NON Ag+	1	PC	SA
7		ASSY HOUSING DRAWER	Refer to 5.6 Assy Housing Drawer Parts	1		
8	DC90-03709A	ASSY TUB&DRUM	S-AM,WF0602NXW	1	PC	SNA
9	DC67-00500A	CAP-FIXER	8010571	4	PC	SNA
10	DC97-16232A	ASSY HOSE WATER-708567	1141817,AMICA-PJT,708567	1	PC	SNA
11	DC67-00501A	HOSE-HANGER	8010550	1	PC	SNA

MODEL CODE: WF0602NXW/XEO

Service Bom (SA: SERVICE AVAILABLE, SNA: SERVICE NOT AVAILABLE)

Drawing No.	Code No.	Description	Specification	QTY	Un	SA/SNA
0		FRAME & COVER PARTS	Refer to 5.2 Frame & Cover Parts	1		
1	DC97-16298A	ASSY COVER TOP	S-AM PJT,WF0602NXW,WHITE	1	PC	SA
2	DC97-16253A	ASSY FRAME-9021502	1143374,AMICA-PJT,9021502	1	PC	SNA
3	DC90-03775A	ASSY BASE-9037004	1143305,AMICA-PJT	1	PC	SNA
3-1	DC61-02841A	LEG	8018385	4	PC	SNA
3-2	DC66-00622A	DAMPER-RUBBER A	8029480	3	PC	SNA
4	DC61-02830A	FIXER-TUB(L)	8010493	2	PC	SNA
5	DC61-02831A	FIXER-TUB(L)	8012871	1	PC	SNA
6	DC29-00005D	FILTER-EMI	FA-2151T-4,1.2mm Nut,250V,15,D38*51,CAN,VDE	1	PC	SA
7	DC61-02808A	BRACKET-FILTER EMI	WF0602NXW,GI,T1.2,W78,L52,S-AM	1	PC	SA
8	DC63-01242A	FRAME-PLATE	8017921	1	PC	SNA
9	DC61-02857A	SPRING ETC-HANGER	8037286	1	PC	SNA
10	DC31-00030A	PUMP-DRAIN	B20-6,220V,50Hz,-,HANYU	1	PC	SA
11	DC61-02777A	CASE-PUMP	WF-A602NBS,PP,T3.0,OD80,L108,NTR	1	PC	SA
12	DC63-00830A	COVER-PUMP	COVER-PUMP,PP,T2.1,W60.5,L75,5VA GRADE,WHT	1	PC	SNA
13	DC97-14278A	ASSY FILTER	HEBA-PJT,ASSY-FILTER,-,-	1	PC	SA
14	DC93-00016D	ASSY WIRE HARNESS-PUMP	S-AM,PUMP WIRE	1	PC	SA
15	DC96-01703A	ASSY SENSOR PRESSURE	AEGIS-PJT,-,-,DRUM / PCB TYPE,-,-	1	PC	SNA
16	DC61-02833A	BRACKET-FIX	8036543	1	PC	SNA
17	DC93-00178A	ASSY M.GUIDE WIRE HARNESS	S-AM PJT,WF A602NBS,220~240V/50HZ,NO OPTION,6Kg, 1200RPM	1	PC	SA
17-1	DC61-02800A	GUIDE-WIRE(F)	WF0602,PP,T1.2,W71.5,L452,NTR,FRO NT/ S-AM	1	PC	SA
17-2	DC61-02801A	GUIDE-WIRE(B)	WF0602,PP,T1.2,W42.5,L317.5,NTR,FR ONT/ S-AM	1	PC	SA
17-3	DC93-00177A	ASSY M. WIRE HARNESS	S-AM PJT,WF A602NBS,220~240V/50HZ,NO OPTION,6Kg, 1200RPM	1	PC	SA
18	DC97-16243A	ASSY HOSE DRAIN-705820	1141817,AMICA-PJT,705820	1	PC	SNA
19	DC96-00146E	ASSY POWER CORD	UCP2,250V/16A,H05VV-F 1.5mm,1500mm,NO-FUSE,S-AM PJT	1	PC	SA

5-3. ASS'Y TUB & DRUM



MODEL CODE: WF0602NXW/XEO

Service Bom (SA: SERVICE AVAILABLE, SNA: SERVICE NOT AVAILABLE)

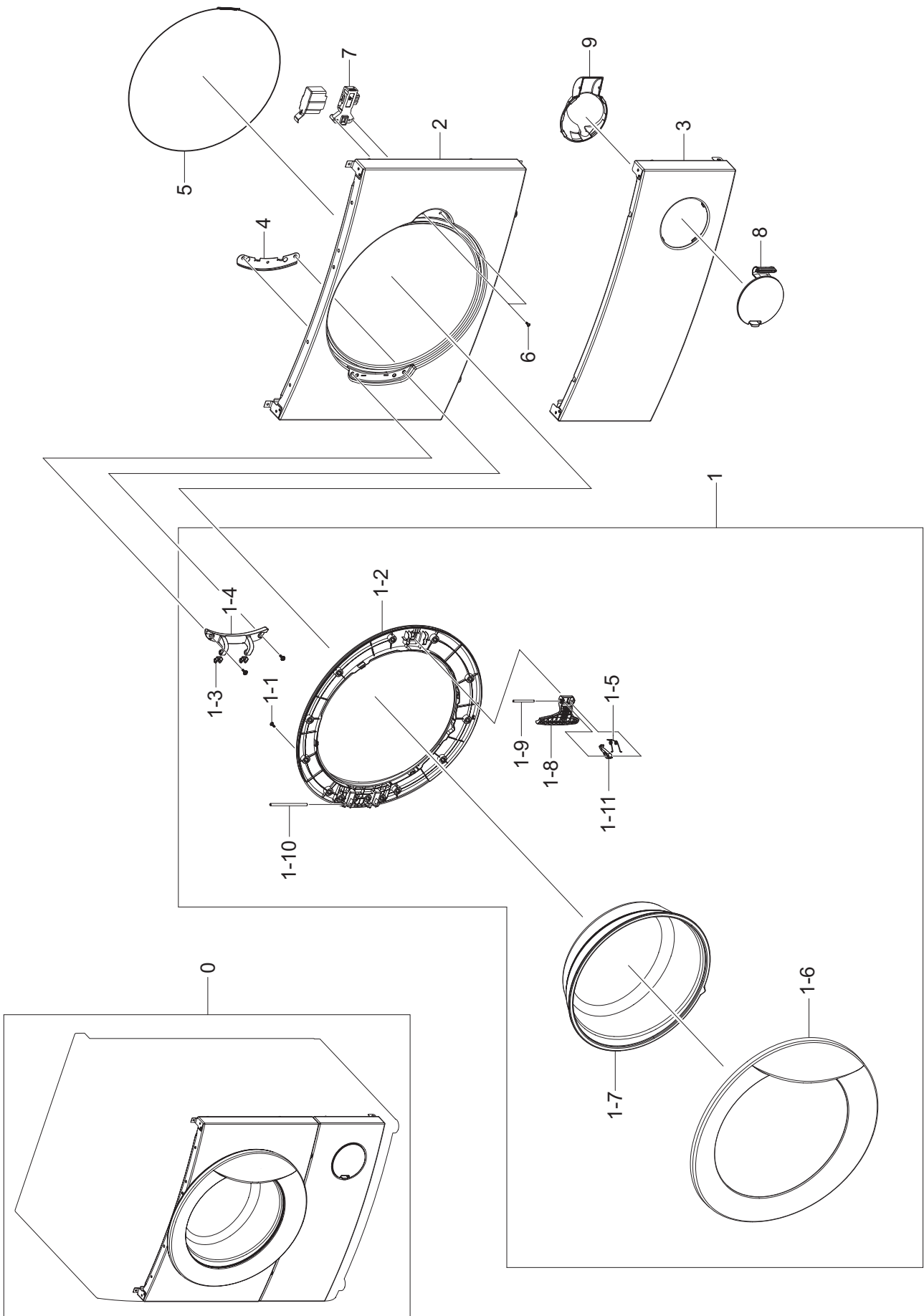
Drawing No.	Code No.	Description	Specification	QTY	Un	SA/SNA
0	DC90-03709A	ASSY TUB&DRUM	S-AM,WF0602NXW	1	PC	SNA
1	DC47-00034A	HEATER-WASH	S-AM,SUS316L,2000,8.69,230V, 26.515,8.5mm,200mm, Double Fuse (167C, Cut Off Time 70+-20s)	1	PC	SA
2	DC63-01224A	COVER-HEATER	S-AM, WF-A602NBS,ABS+PC,T2.5,W91 .4,L46.3,5VA,NTR	1	PC	SA
3	6021-001460	NUT-ETC	8010613	1	PC	SNA
4	DC64-02402A	DOOR-DIAPHRAGM	S-AM,EPDM,T2.5,H78,w396,l396,GRY	1	PC	SA
5	DC66-00626A	DAMPER-PIN	8037285	3	PC	SNA
6	DC66-00627A	DAMPER-SHOCK(R)	8029508	2	PC	SNA
7	DC66-00628A	DAMPER-SHOCK(L)	8029504	1	PC	SNA
8	DC66-00629A	BELT-TIMING GEAR	731737	1	PC	SNA
9	DC67-00494A	WEIGHT-BALANCER(L)	S-AM PJT/ WF0602NXW,CONCRETE,T 53,W189.5,L403.8,MESH	1	PC	SA
10	DC67-00495A	WEIGHT-BALANCER(R)	S-AM PJT/ WF0602NXW,CONCRETE,T 53,W258.8,L311,MESH	1	PC	SA
11	DC67-00496A	WEIGHT-BALANCER(U)	S-AM PJT/ WF0602NXW,CONCRETE,T 133.7,W238,L309,MESH	1	PC	SA
12	DC93-00189A	PULLEY MOTOR	8017632	1	PC	SNA
13	DC97-16138A	ASSY DRUM	S-AM PJT,WF0602NXW,D492xH411,120 0RPM,T0.5	1	PC	SA
13-1	DC60-00086A	BOLT-HEX	8026117	3	PC	SNA
13-2	DC60-00089A	FLANGE-SHAFT	8036489	1	PC	SNA
13-3	DC66-00613A	DRUM-WRAPPER	WF0602NXW,STAINLESS- STS430,L1526.6,T0.5/ 6KG/ S-AM PJT	1	PC	SNA
13-4	DC66-00617A	DRUM-FRONT	9010470	1	PC	SNA
13-5	DC66-00618A	DRUM-BACK	9010471	1	PC	SNA
13-6	DC66-00619A	DRUM-LIFTER	8010429	3	PC	SNA
14	DC97-16221A	ASSY TUB-FRONT,9005384	1143305,AMICA-PJT,9005384	1	PC	SNA
15	DC97-16266A	ASSY-PRESSURE TUB,728716	1141817,AMICA-PJT,728716	1	PC	SNA
15-1	DC67-00511A	HOSE-PRESSURE TUB WITH	8010374	1	PC	SNA
15-2	DC72-00092A	BAND-RING	8012488	1	PC	SNA
15-3	DC72-00094A	SPONGE-CUSHION	8015613	3	PC	SNA
16	DC97-16267A	ASSY-COMMUTATOR MOTOR,734687	1142420,AMICA-PJT,734687	1	PC	SNA
17	DC97-16344A	ASSY TUB-SUB	S-AM PJT,WF0602NXW/XEO	1	PC	SNA
17-1	DC61-02810A	BRACKET-HEATER	WF0602NXW,STAINLESS- STS430,T0.6,W80,W25.5,S-AM PJT	1	PC	SA
17-2	DC62-00306A	SEAL-OIL	8010339	1	PC	SNA
17-3	DC66-00622A	DAMPER-RUBBER A	8029480	2	PC	SNA
17-4	DC66-00624A	DAMPER-RUBBER C	8029496	1	PC	SNA
17-5	DC97-16223A	ASSY SEMI TUB BACK-732038	1142420,AMICA-PJT,732038	1	PC	SNA
19	6002-001506	SCREW-TAPPING	8013153	3	PC	SNA

MODEL CODE: WF0602NXW/XEOService Bom (**SA**: SERVICE AVAILABLE, **SNA**: SERVICE NOT AVAILABLE)

Drawing No.	Code No.	Description	Specification	QTY	Un	SA/SNA
20	6002-001508	SCREW-TAPPING	8022024	4	PC	SNA
21	6002-001509	SCREW-TAPPING	8022016	2	PC	SNA
22	DC60-00088A	BOLT-HEX	8022017	3	PC	SNA
23	DC97-16233A	ASSY HOSE DRAWER TUB-705767	1143305,AMICA-PJT,705767	1	PC	SNA
23-1	DC67-00504A	HOSE-DRAWER TUB	8010537	1	PC	SNA
23-2	DC72-00085A	BAND-RING	8012813	1	PC	SNA
23-3	DC72-00086A	BAND-RING	8012500	1	PC	SNA
24	DC97-16235A	ASSY HOSE-FILTER TUB,705813	1143305,AMICA-PJT,705813	1	PC	SNA
24-1	DC67-00506A	HOSE-FILTER TUB	8010536	1	PC	SNA
24-2	DC72-00088A	BAND-RING	8019252	1	PC	SNA
24-3	DC72-00089A	BAND-RING	8013908	1	PC	SNA
25	6049-001182	CLAMP	8010380	1	PC	SNA

MEMO

5-4. ASS'Y FRAME FRONT & DOOR

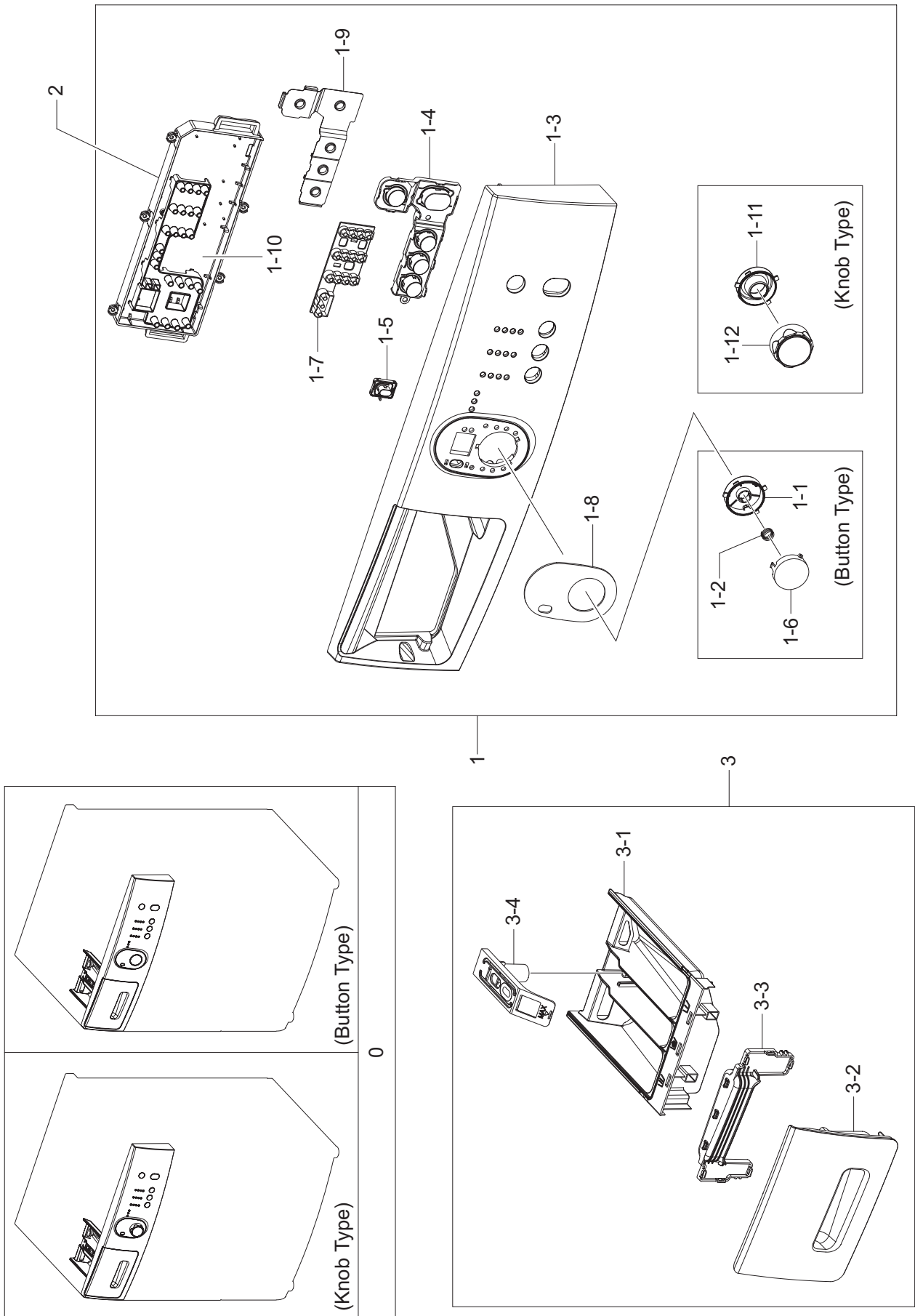


MODEL CODE: WF0602NXW/XEO

Service Bom (SA: SERVICE AVAILABLE, SNA: SERVICE NOT AVAILABLE)

Drawing No.	Code No.	Description	Specification	QTY	Un	SA/SNA
0		ASSY FRAME FRONT & DOOR	Refer to 5.4 Frame Front & Door Parts	1		
1	DC97-16135A	ASSY DOOR	S-AM PJT,WF0602NXW,OD450,WHITE	1	PC	SA
1-1	6002-001500	SCREW-TAPPING	8010423	14	PC	SNA
1-2	DC61-02802A	HOLDER-GLASS	WF0602NXW,PP,T2.8,W449,L449,WHITE,S-AM PJT	1	PC	SA
1-3	DC61-02803A	GUIDE-HINGE	WF0602NXW,POM,T1.5,W14.5,L12.8,NTR,S-AM	2	PC	SA
1-4	DC61-02812A	HINGE-DOOR	WF0602NXW,ALDC,T8.8,W155.5,L48.9,SILVER,S-AM PJT	1	PC	SA
1-5	DC61-02858A	SPRING ETC-LEVER	8039146	1	PC	SNA
1-6	DC63-01225A	COVER-DOOR	WF-A602NBS,ABS,T2.8,W450,L450,WHITE,S-AM PJT	1	PC	SA
1-7	DC64-02428A	DOOR GLASS	8030889	1	PC	SNA
1-8	DC64-02430A	HANDLE-DOOR	8030961	1	PC	SNA
1-9	DC64-02431A	HANDLE-PIN	8030949	1	PC	SNA
1-10	DC64-02520A	HANDLE-PIN	S-AM,STS,OD 5,L95,NTR,FUNCTION	1	PC	SA
1-11	DC66-00615A	LEVER DOOR	8030962	1	PC	SNA
2	DC97-16254A	ASSY FRAME FRONT-9005391	1142420,AMICA-PJT,9005391	1	PC	SNA
3	DC97-16250A	ASSY FRAME FRONT-LOWER,9005392	1141817,AMICA-PJT,9005392	1	PC	SNA
4	DC61-02809A	BRACKET-HINGE	WF0602NXW,GI,T1.2,W39.2,L149.4,S-AM PJT	1	PC	SA
5	DC39-00042A	WIRE-DIAPHRAGM	8010379	1	PC	SNA
6	6002-001503	SCREW-TAPPING	8013151	2	PC	SNA
7	DC64-01538C	DOOR-LOCK S/W	ZV-446L9,NYLON,T19.5,W95.3,BLK,WH T,250V/16A	1	PC	SA
8	DC63-01213A	COVER-FILTER	WF-A602NBS,ABS,T3.0,OD109,L123,WHITE,AMICA-PJT	1	PC	SA
9	DC61-02772A	GUIDE-FILTER	WF-A602NBS,ABS,T2.0,H110,L142.5,WHITE,AMICA-PJT	1	PC	SA

5-5. PANEL CONTROL & DRAWER

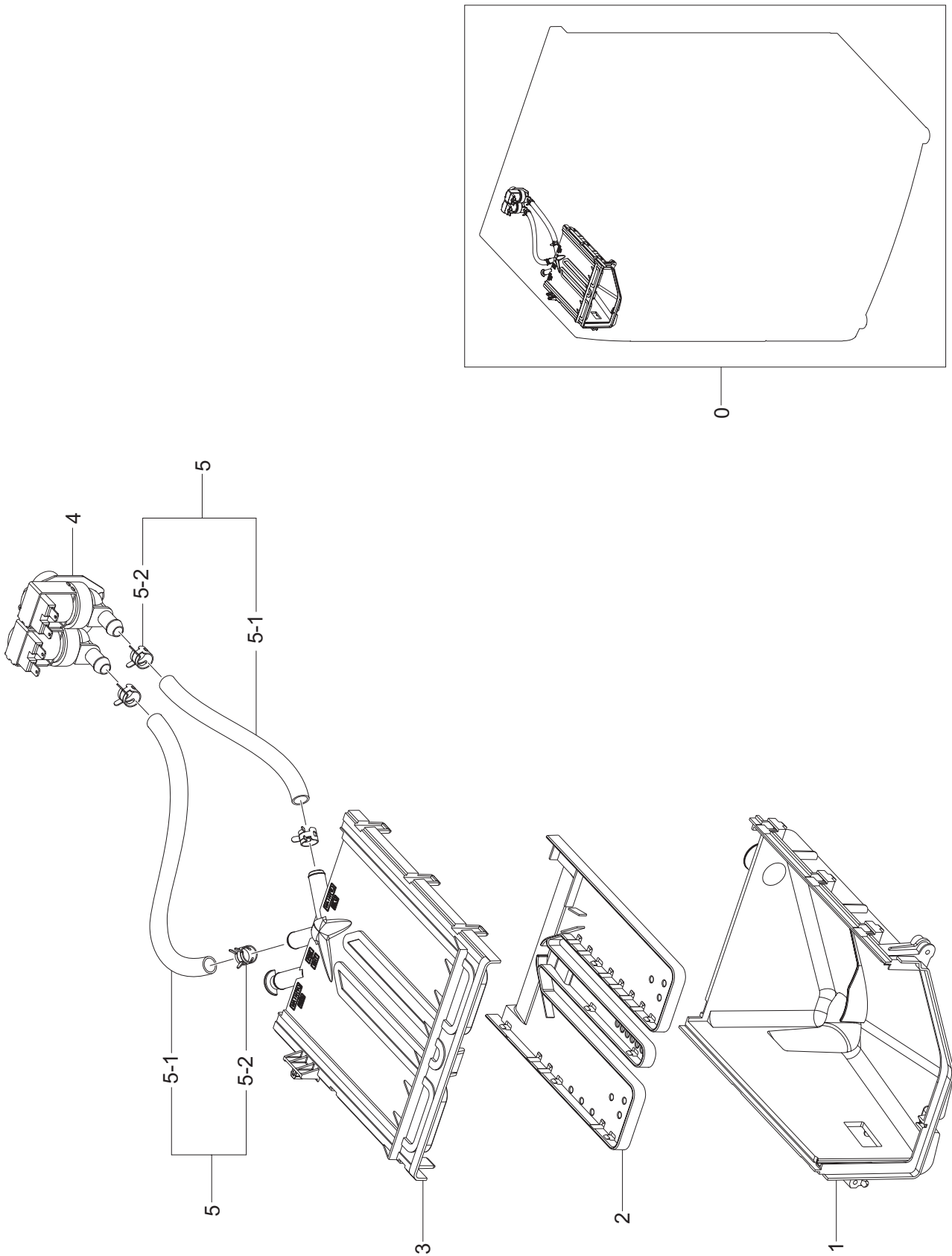


MODEL CODE: WF0602NXW/XEO

Service Bom (SA: SERVICE AVAILABLE, SNA: SERVICE NOT AVAILABLE)

Drawing No.	Code No.	Description	Specification	QTY	Un	SA/SNA
0		PANEL-CONTROL & DRAWER	Refer to 5.4 Control & Drawer	1		
1	DC97-16121A	ASSY PANEL CONTROL	S-AM,WF-A602NBS,WHITE,ENGLISH	1	PC	SA
1-1	DC61-02814A	GUIDE-BUTTON	S-AM,ABS,T1.2,W43,L13	1	PC	SA
1-2	DC61-70181A	SPRING-BUTTON	SEW-745DW,STS304,-,-,-,-,-,-,-,-	1	PC	SA
1-3	DC64-02385A	PANEL-CONTROL	S-AM,ABS,T3.0,W162.9,L595,WHITE	1	PC	SNA
1-4	DC64-02395A	BUTTON-PUSH(F)	S-AM,ABS,NTR,FUNCTION	1	PC	SNA
1-5	DC64-02396A	BUTTON-PUSH(D)	S-AMICA,ABS,D26,NTR	1	PC	SNA
1-6	DC64-02397A	BUTTON-PUSH(O)	S-AM,ABS,NTR,FUNCTION	1	PC	SNA
1-7	DC64-02399A	DECORATION-LED	S-AM,PMMA,T2.0,TRP	1	PC	SNA
1-8	DC64-02476A	INLAY-ENCODER	WF0602NXW,PC,T0.5,W69.2,L106.1,GRAY,S-AM PJT/BUTTON TYPE	1	PC	SNA
1-9	DC64-02485A	BUTTON-RUBBER	S-AM / WF0602,SILICON,NTR,BUTTON(F)	1	PC	SA
1-10	DC92-00366F	ASSY PCB SUB	AMICA,WF0602,6KG,230V/50Hz,BUTTON,1200RPM,Y,SMPS	1	PC	SA
2	DC92-00365A	ASSY PCB MAIN	AMICA,WF A502NGS,5KG,230V/50Hz,POLAND 1200RPM,Y,SMPS	1	PC	SA
3	DC97-16137A	ASSY DRAWER	S-AM PJT,WF0602NXW,PP,NON Ag+	1	PC	SA
3-1	DC61-02804A	BODY-DRAWER	WF0602NXW,PP,T1.8,L213,W164,WHT, TB53/W520/ S-AM PJT	1	PC	SNA
3-2	DC64-02392A	PANEL-DRAWER	WF0602NXW,ABS,T2.8,W195.6,L130,WHT,S-AM PJT	1	PC	SA
3-3	DC64-02393A	HANDLE-DRAWER	WF0602NXW,ABS,T2.6,W172,L72.4,N, WHT,S-AM PJT	1	PC	SA
3-4	DC67-00493A	CAP-RINSE	WF0602NXW,PP,T2.0,W33.3,L116.3,SO AP BLUE,S-AM	1	PC	SA

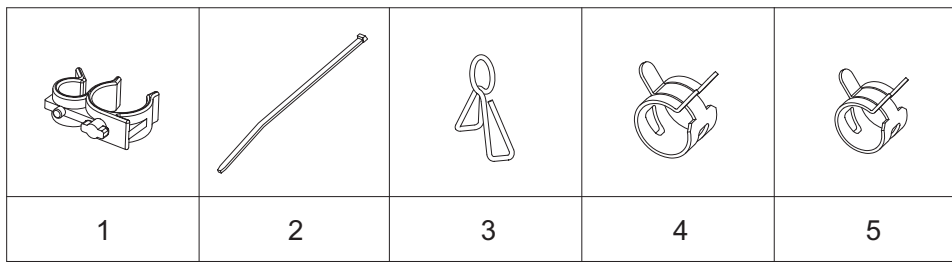
5-6. ASS'Y HOUSING DRAWER



MODEL CODE: WF0602NXW/XEOService Bom (**SA**: SERVICE AVAILABLE, **SNA**: SERVICE NOT AVAILABLE)

Drawing No.	Code No.	Description	Specification	QTY	Un	SA/SNA
0		ASSY HOUSING DRAWER	Refer to 5.6 Assy Housing Drawer Parts	1		
1	DC61-02805A	HOUSING-DRAWER(L)	WF0602NXW,PP,T1.8,W194,L219.8,W HT,S-AM	1	PC	SNA
2	DC61-02806A	HOUSING-DRAWER(M)	WF0602NXW,PP,T1.8,W146.2,L184.7,W HT,S-AM	1	PC	SNA
3	DC61-02807A	HOUSING-DRAWER(U)	WF0602NXW,PP,T1.8,W184.3,L230,W HT,S-AM	1	PC	SNA
4	DC62-30312L	VALVE-WATER	S-Am PJT,NYLON #6,mm,1~8 Kg/ cm ² ,NTR,220-240V,50/60Hz,4.5Kohm,2 WAY(COLD,BLEACH)	1	PC	SA
5	DC97-16234A	ASSY HOSE DRAWER-705799	1143305,AMICA-PJT,705799	1	PC	SNA
5-1	DC67-00505A	HOSE-DRAWER	8010352	2	PC	SNA
5-2	DC72-00087A	BAND-RING	8012818	4	PC	SNA

5-7. SMALL PARTS



MODEL CODE: WF0602NXW/XEO

Service Bom (SA: SERVICE AVAILABLE, SNA: SERVICE NOT AVAILABLE)

Drawing No.	Code No.	Description	Specification	Install. Point	QTY	Un	SA/SNA
1	DC61-00118A	CLAMPER HOSE-FIX	P1291,NYLON66,ID27,OD30	ASSY CASE	1	PC	SNA
2	6501-001074	CABLE TIE	8018344	ASSY CASE	2	PC	SNA
3	DC61-70029B	SPRING-CLIP	SEW-6HW111,HSWR67(TS), CD1.2,ID7.0,OD9.4,-,1,-,-,-,-	ASSY CASE	1	PC	SNA
4	DC61-00158A	CLAMPER HOSE	SW65ASP,SK5,ID23,-,T0.8/ YEL,	HOSE-AIR	1	PC	SNA
5	DC61-01679B	CLAMPER HOSE	SEW-HFR167AR,SK5,-,T1.0/ ID20.7/OD22.7,NTR,-	HOSE-DRAWER TUB	1	PC	SNA

5-8. PARTS LIST (SA/SC OTHER)

MODEL CODE: WF0602NXW/XEO

Service Bom (SA: SERVICE AVAILABLE, SNA: SERVICE NOT AVAILABLE)

Code No.	Description	Specification	Install. Point	QTY	Un	SA/SNA
DC67-00498A	HOSE-AIR	S-AM PJT/ WF0602NXW,EPDM,ID12.0, OD17.0,T2.5,L202,BLK,6KG/ S-AM	-	1	PC	SA
DC61-02811A	BRACKET-MOTOR	WF0602NXW,GI,T0.5,W120,L119,S-AM PJT	-	1	PC	SA

5-9. PARTS LIST (SCREW TYPE)

MODEL CODE: WF0602NXW/XEO

Service Bom (SA: SERVICE AVAILABLE, SNA: SERVICE NOT AVAILABLE)

Code No.	Description	Specification	QTY	Un	SA/SNA
6002-001494	SCREW-TAPPING	8018416	2	PC	SNA
6002-001495	SCREW-TAPPING	8016001	1	PC	SNA
6002-001496	SCREW-TAPPING	8013152	2	PC	SNA
6002-001497	SCREW-TAPPING	8018065	2	PC	SNA
6002-001498	SCREW-TAPPING	8012992	2	PC	SNA
6002-001499	SCREW-TAPPING	8013150	12	PC	SNA
6002-001500	SCREW-TAPPING	8010423	14	PC	SNA
6002-001501	SCREW-TAPPING	8021940	8	PC	SNA
6002-001502	SCREW-TAPPING	8017473	2	PC	SNA
6002-001503	SCREW-TAPPING	8013151	7	PC	SNA
6002-001506	SCREW-TAPPING	8013153	5	PC	SNA
6002-001507	SCREW-TAPPING	8010616	11	PC	SNA
6002-001508	SCREW-TAPPING	8022024	4	PC	SNA
6002-001509	SCREW-TAPPING	8022016	2	PC	SNA
6003-001768	SCREW-TAPTYPE	TH,+,WT,S,M4,L10,ZPC(WHT),SWRCH18A	2	PC	SNA

MEMO
