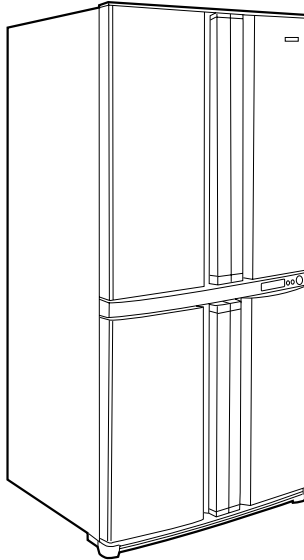


SHARP SERVICE MANUAL

No.S4616SE75ATUET



Refrigerator-freezer

**MODELS SJ-F72PC-BE/SL/WH
SJ-F73PE-BE/SL/WH
SJ-F74PS-SL
SJ-F77PC-BE/SL/WH
SJ-F78PE-BE/SL/WH
SJ-F79PS-SL**

DESTINATION E

Refrigerant; R600a
Refer to "REFRIGERATING-CYCLE REPAIR MANUAL" for handling this refrigerant.

CONTENTS

CHAPTER 1. ENERGY LABEL/INSTALATION

- [1] ENERGY LABEL..... 1-1
- [2] INSTALATION 1-1

CHAPTER 2. SPECIFICATIONS

CHAPTER 3. FICHE

CHAPTER 4. DESIGNATION OF VARIOUS PARTS

- [1] EXTERNAL DESCRIPTION..... 4-1
- [2] CONSTRUCTIONS 4-2

CHAPTER 5. LIST OF ELECTRICAL PARTS

CHAPTER 6. DIMENTIONS

- [1] OUTER DIMENTIONS AND CLEARANCE... 6-1
- [2] INNER DIMENTIONS 6-1

CHAPTER 7. WIRING DIAGRAM

- [1] WIRING DIAGRAM 7-1
- [2] ELECTRIC ACCESSORIES LAYOUT 7-2

CHAPTER 8. SELF-DIAGNOSIS MODE

CHAPTER 9. MODE FOR DISPLAY

CHAPTER 10. ASSEMBLING PROCEDURES OF MAIN PARTS AND CAUTIONS

- [1] REFRIGERATOR COMPARTMENT..... 10-1
- [2] FREEZER COMPARTMENT 10-5
- [3] HOW TO REMOVE THE CONTROL BASE10-10
- [4] DEFROST HEATER 10-11
- [5] REPLACING OF SOURCE CORD..... 10-13
- [6] HOW TO REMOVE THE DOOR HAN-
DLES 10-14
- [7] WHEN LEFT AND RIGHT DOORS ARE
NOT ON THE SAME LEVEL 10-16

CHAPTER 11. COOLING UNIT

- [1] COOLING UNIT..... 11-1
- [2] LOCATION 11-2

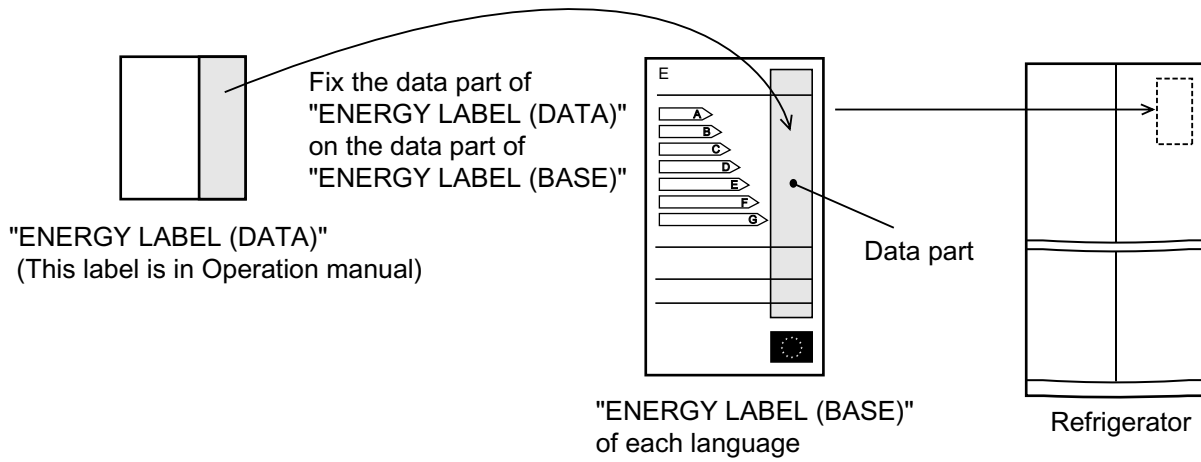
Parts Guide

CHAPTER 1. ENERGY LABEL/INSTALATION

[1] ENERGY LABEL

Usage of "the ENERGY LABEL"

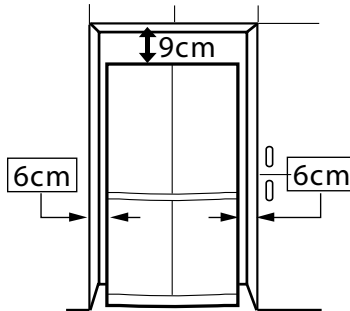
- When displaying this refrigerator in the shop-window, attach the "ENERGY LABEL" to it in the following procedure.



[2] INSTALATION

Free standing type

- To ensure adequate ventilation for this refrigerator, install with 6 cm space at the rear and both sides, with aminimum space of 9 cm above the refrigerator.



- This refrigerator shall be used under the ordinary place condition between +5 °C and +38 °C of ambient temperature, and also not be left under -10 °C for long days.
- To be used this refrigerator within the range of the rated voltage $\pm 6\%$

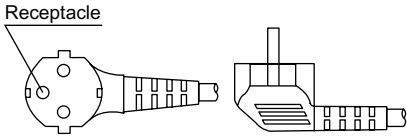
CHAPTER 2. SPECIFICATIONS

		SJ-F74PS	SJ-F73PE	SJ-F72PC	SJ-F79PS	SJ-F78PE	SJ-F77PC
Type		4-Door					
Outer dimensions	Height	1720(67.7")			1830(72.0")		
	Width	890(35.0")			890(35.0")		
	Depth	770(30.3")			770(30.3")		
Rated storage volume		556liter (19.6 cu.ft)			605liter (21.4cu.ft)		
Rated gross volume		573liter (20.2 cu.ft)			625liter (22.1cu.ft)		
Defrosting	System	Heater system					
	Start	Automatic					
	Finish	Automatic					
Temperature control		Automatic (Adjustable)					
No-frost freezer		Yes					
Interior lamp		4					
Caster		4					
Evaporating pan		1 (unremovable)					
Refrigerator Compartment	R-shelf ass'y	2					
	V-shelf ass'y	1					
	Bttl rack ass'y	1	-		1		-
	Fruit case ass'y	1					
	Fresh case ass'y	1					
	V-case ass'y	1					
	Door pocket ass'y	3					
	Btl-pok L ass'y	1					
	Btl-pok R ass'y	1					
	U-pok door	1					
	Utility pok ass'y	1			2		
	Egg tray	1					
	Freezer Compartment	Ice cube maker	1	2		1	2
Quick ice maker		1	-		1	-	
Ice storage ass'y		2					
F-case S ass'y		3					
F-case L ass'y		2					
Control panel	Plusmacluster	Yes					
	Express Ice making	Yes		No	Yes		No
	Express Freezing	Yes		No	Yes		No
	Vacation mode	Yes		No	Yes		No
	Door alarm	Yes					
	Timer	Yes					
	Temp. control	Yes					
Child lock	Yes						
Aluminum panel		Yes					
Deodorizing unit		Yes(Honeycomb type)					

RATING

Items		SJ-F74PS	SJ-F73PE	SJ-F72PC	SJ-F79PS	SJ-F78PE	SJ-F77PC
Rated voltage	(V~)	220-240					
Rated frequency	(Hz)	50					
Climate class		ST					
Rated current	(A)	0.8-0.9					
Rated input of heating systems	(W)	173-206					
Refrigerant (Charging quantity) [Flammable]		R600a (52g)					
Insulation blowing gas [Flammable]		Cyclo pentane (HC)					
Net Weight	(kg)	114				117	

PLUG TYPE




Plug cord	2 pin +earth	
Plug type	CS	
Destination mark	E	

COLOR

Items	-BE	-SL	-WH
Outside color	Beige	Silver	White
Inside color	White		

CHAPTER 3. FICHE

THE FICHE (according to ANNEX II : 94/2/EC)

NO.	Items	Description		Remarks
1	Trade mark	SHARP	SHARP	
2	Model name	SJ-F72PC,SJ-F73PE,SJ-F74PS	SJ-F77PC,SJ-F78PE,SJ-F79PS	
3	Type	Category; 7	Category; 7	fridge / freezer
4	Energy efficiency class	A+	A+	A++/A+/A~G
5	Eco-award mark	—	—	880/92
6	Energy consumption (220V 50Hz at 25°C)	450 kWh/year	465 kWh/year	EN153
7	Net storage volume of fresh food storage compartment	345 L	394 L	
8	Net storage volume of frozen food storage compartment	211 L	211 L	
9	Star rating of frozen food compartment	4-STAR 	4-STAR 	
10	No frost	No frost	No frost	
11	Temperature rise time	11 h	11 h	at 25 °C
12	Freezing capacity	9.5 kg /24h	9.5 kg /24h	at 25 °C
13	Climate class	ST	ST	
14	Noise	38 dB(A) re 1 pw	38 dB(A) re 1 pw	86/594/EEC

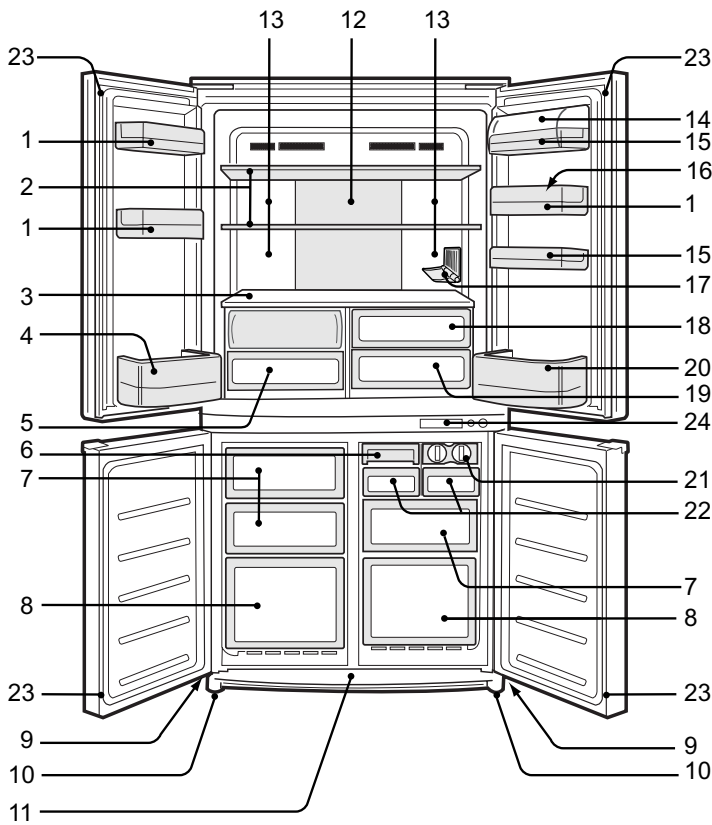
(96/57/EC)

15	Maximum allowable electricity consumption (E _{max})	1017 kWh/year	1066 kWh/year	E max
		(2.79)	(2.92)	(kWh/day)

CHAPTER 4. DESIGNATION OF VARIOUS PARTS

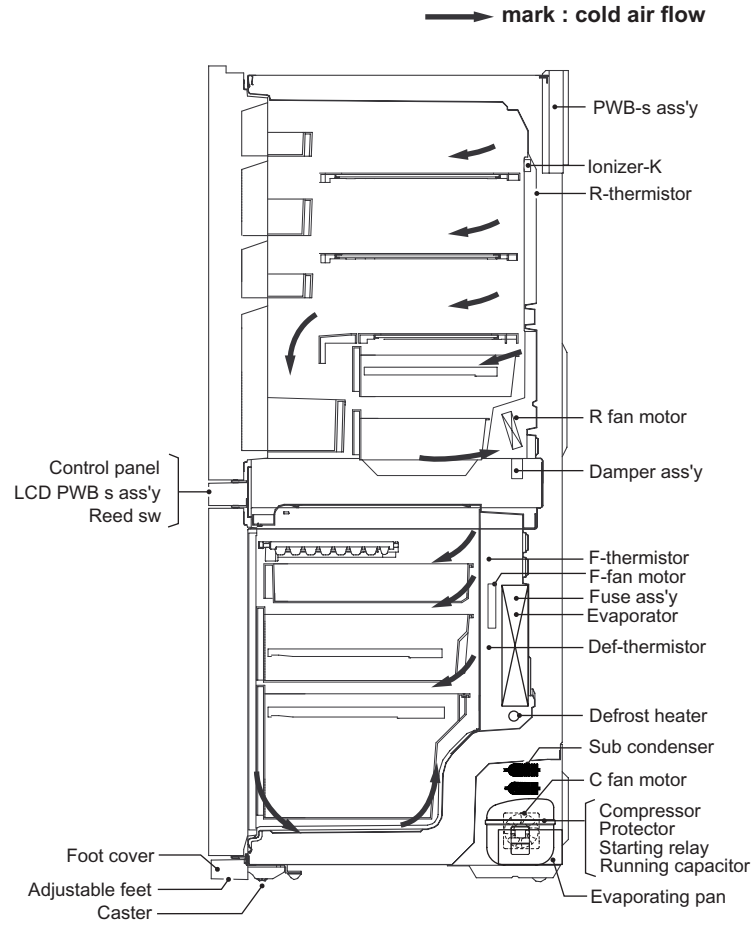
[1] EXTERNAL DESCRIPTION

The names in parenthesis “[]” are the denominations used in the REPLACEMENT PARTS LIST.

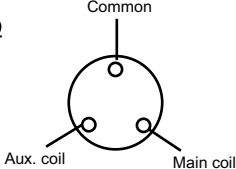


1. Door pocket [Door pocket ass'y]
2. Refrigerator shelf [R-shelf ass'y]
3. Shelf [V-shelf ass'y]
4. Bottle pocket(left) [Btl-pok L ass'y]
5. Vegetable crisper [V-case ass'y]
6. Quick ice maker [Quick ice maker]
(Only for SJ-F74PS, SJ-F79PS)
7. Freezer case(small) [F-case S ass'y]
8. Freezer case(large) [F-case L ass'y]
9. Caster
10. Adjustable feet [Adjustable leg ass'y]
11. Foot cover [Base cover]
12. Aluminum panel [AL panel]
13. Light [Lamp ass'y]
14. Utility pocket cover [U-pok door]
15. Utility pocket [Utility pok ass'y]
(SJ-F74PS,F73PE,F72PC:1 piece,
SJ-F79PS,F78PE,F77PC:2 pieces)
16. Egg holder [Egg tray]
17. Bottle rack [Bttl rack ass'y]
(Only for SJ-F74PS,SJ-F73PE,SJ-F79PS,SJ-F78PE)
18. Fruit case [Fruit case ass'y]
19. Fresh case [Fresh case aas'y]
20. Bottle pocket(right) [Btl-pok R ass'y]
21. Ice cube maker [Ice cube maker]
(SJ-F74PS,F79PS:1 piece, the other models :2 pieces)
22. Ice cube box [Ice storage ass'y]
23. Magnetic door seal [Door packing]
24. Control panel

[2] CONSTRUCTIONS



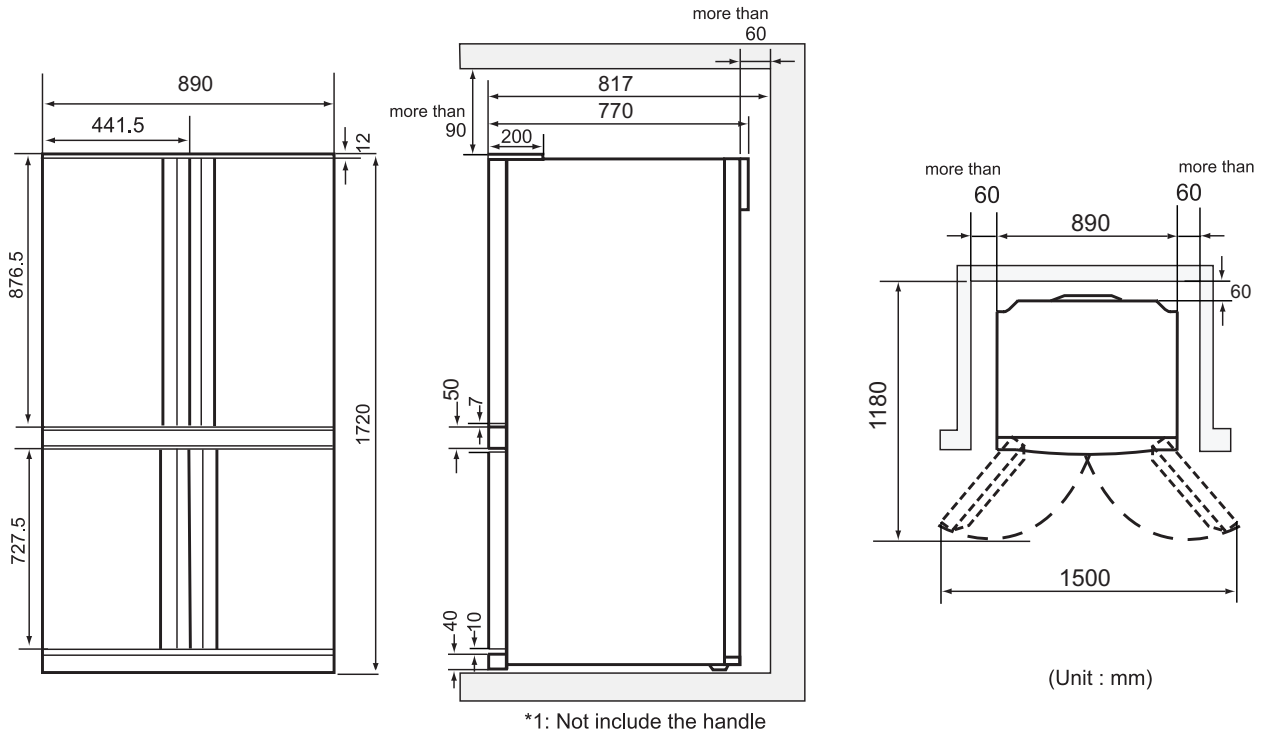
CHAPTER 5. LIST OF ELECTRICAL PARTS

ITEMS	TYPE NAME	RATING	SPECIFICATIONS
R Thermistor F Thermistor Def. Thermistor	— — —	DC 5V DC 5V DC 5V	$R_0 = 6.4 \text{ k}\Omega$, $B(0) = 3811$ $R_0 = 6.4 \text{ k}\Omega$, $B(0) = 3811$ $R_0 = 15 \text{ k}\Omega$, $B(0) = 3811$
RD Heater (70) RD Heater (75)	— —	220-240V 8021 Ω 220-240V 8365 Ω	6.6 W at 230 V 6.32 W at 230 V
Thermo. fuse	SF70E	250V 10A	Working temp. : 70°C
Defrost heater		220-240V 286 Ω	185W at 230V
R-Fan motor F-Fan motor C-Fan motor	D08A-12PM.05(K) FBA12J15VXD D09T-12CS307(EX)	DC 12V 0.07A DC 15V 0.28A DC 12V 0.09A	— — —
Damper	NSBC001ZA1	DC 12V	Open/Close 0-6°C / 0°C
Reed SW SW Magnet	NRS-102SAF FM10.9X7X25.4(SR-3)	— —	Magnetic Switch Magnet Switch
Lamp	—	240V 15W	#187 Straight Terminal
Compressor	EGM90CLC	220-240V/50Hz	Cooling capacity : 218W (50Hz) Main coil : 18.40 Ω Aux. coil : 25.50 Ω (at 25°C) 
Starting Relay	PTH8M220MD2	—	22 Ω (at 25°C)
Overload Relay(Protector)	4TM189NFBYY-53	—	Open/ Close : 120 / 61°C
Running Capacitor	RC-EZA190CBEZ	—	430V 5 μF
Ionizer-K(Plasmacluster unit)	FTRN-A014CBKZ	DC 12V	3.5kV p-p

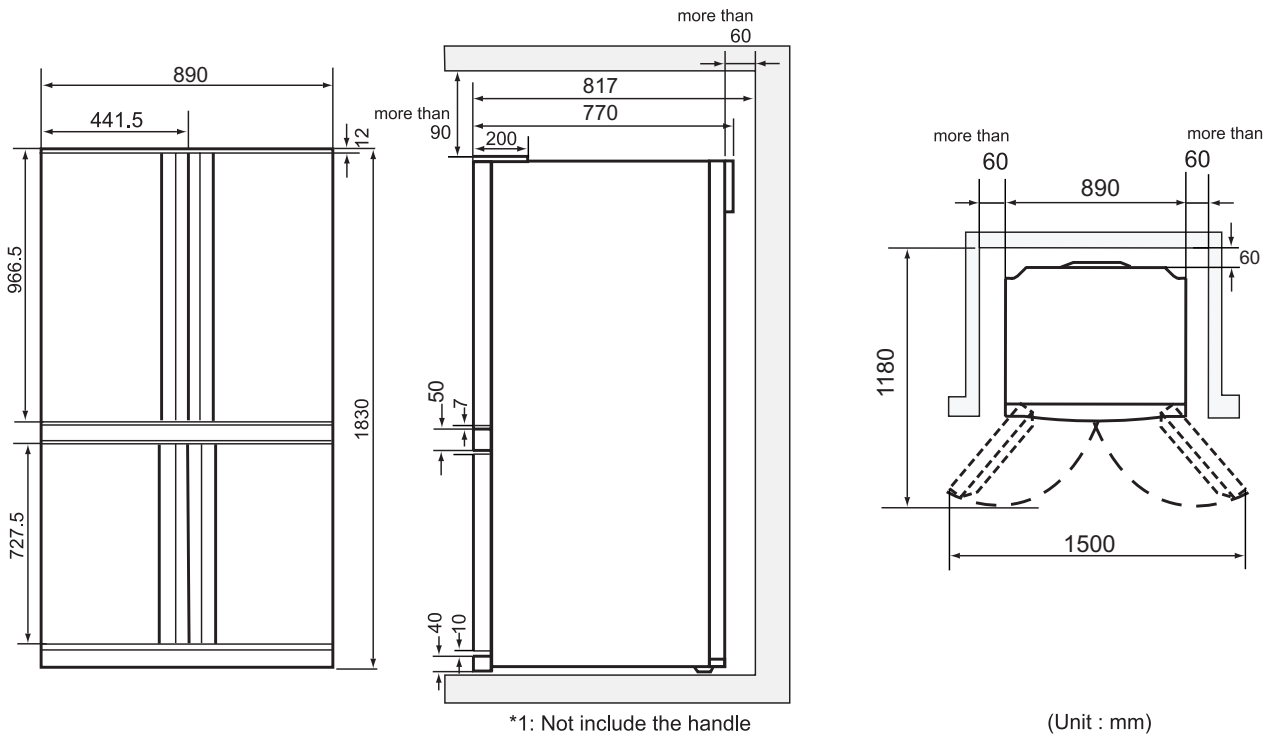
CHAPTER 6. DIMENTIONS

[1] OUTER DIMENTIONS AND CLEARANCE

1. SJ-F74PS,SJ-F73PE,SJ-F72PC



2. SJ-F79PS,SJ-F78PE,SJ-F77PC



[2] INNER DIMENTIONS

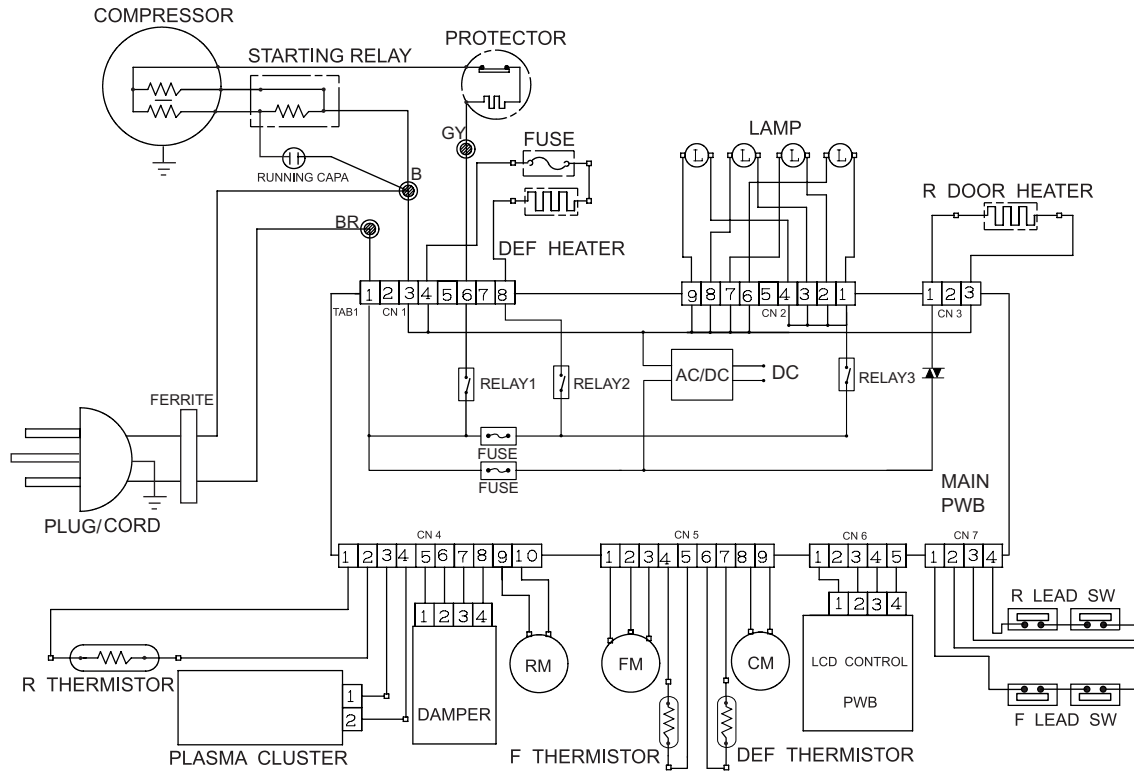
The dimensions between shelves can be changed by setting the shelves on the other rails.

CHAPTER 7. WIRING DIAGRAM

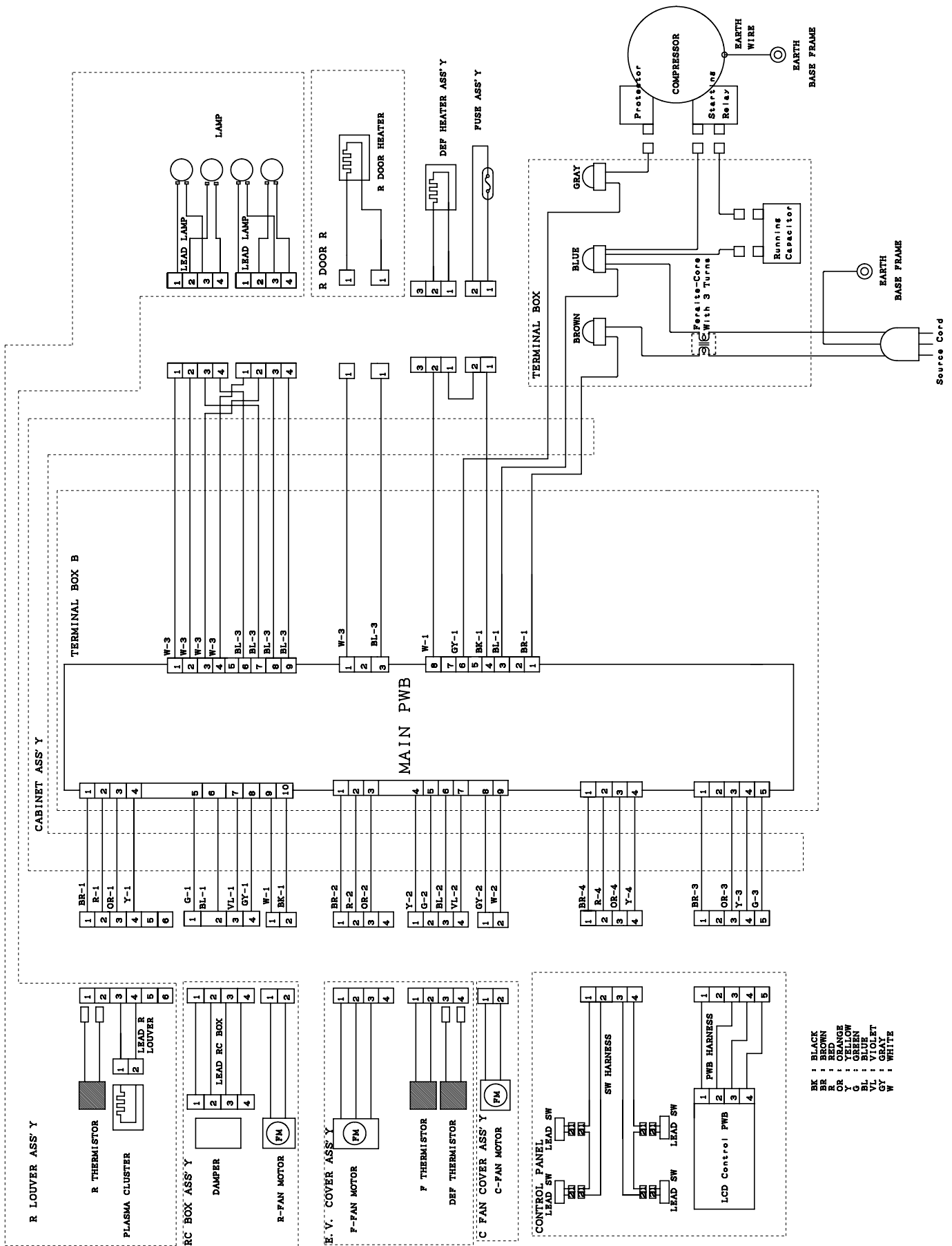
[1] WIRING DIAGRAM

Be sure to replace the electrical parts with specified ones for maintaining the safety and performance of the set.

- CONNECTOR IN TERMINAL BOX
- CONNECTOR



[2] ELECTRIC ACCESSORIES LAYOUT

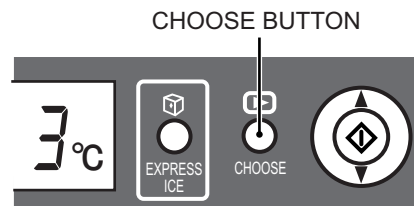


- BR : BLACK
- BR : BROWN
- R : RED
- YR : ORANGE
- G : GREEN
- BL : BLUE
- VL : VIOLET
- W : WHITE

CHAPTER 8. SELF-DIAGNOSIS MODE

1. Entering method of the mode

- 1) Press the [Choose] button on the LCD panel over 5 seconds at the opening condition of the freezer and refrigerating room doors.
- 2) With a beep sound of buzzer, the self-diagnosis mode is entered. When the self-diagnosis mode is not entered by the above operation, defect of READ SW system can be considered.

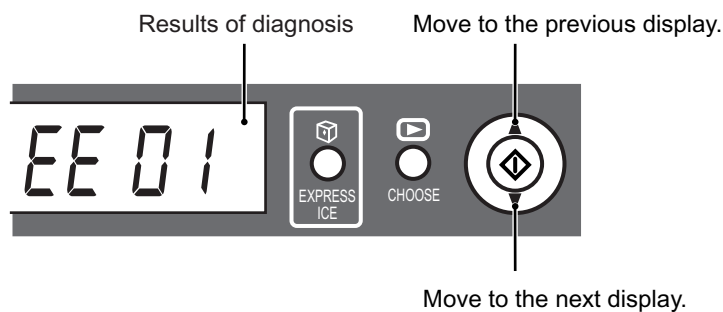


2. When the self-diagnosis mode is entered, the following movements will be made. Forced release operation is not prepared for the self-diagnosis mode. It returns to the normal movement after a lapse of 2 minutes.

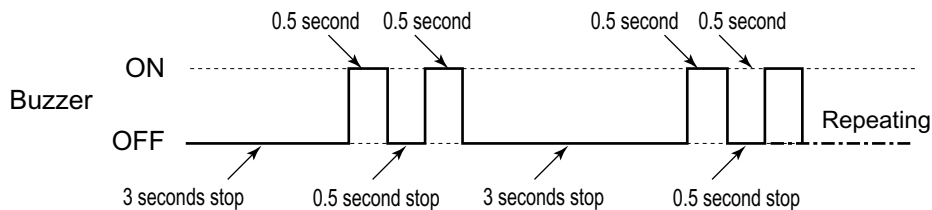
- During the express ice making, express freezing or timer, the mode is released.
- Plasmacluster will not release the mode, and ON is forced for 2 minutes whether it is ON or OFF.
- When the self-diagnosis mode is entered, beep sound for reminding of closing the door must not be sounded for 20 minutes.
- Defect and various conditions are displayed by [ON/OFF of buzzer].
- Defect and various conditions are displayed on the LCD panel. In case of plural defects and various conditions, these are displayed one after another by button operation and all contents are notified.

3. Display of self-diagnosis

- Display example of LCD panel (at the defect of F-thermistor system)



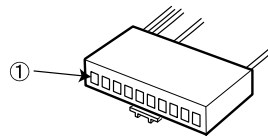
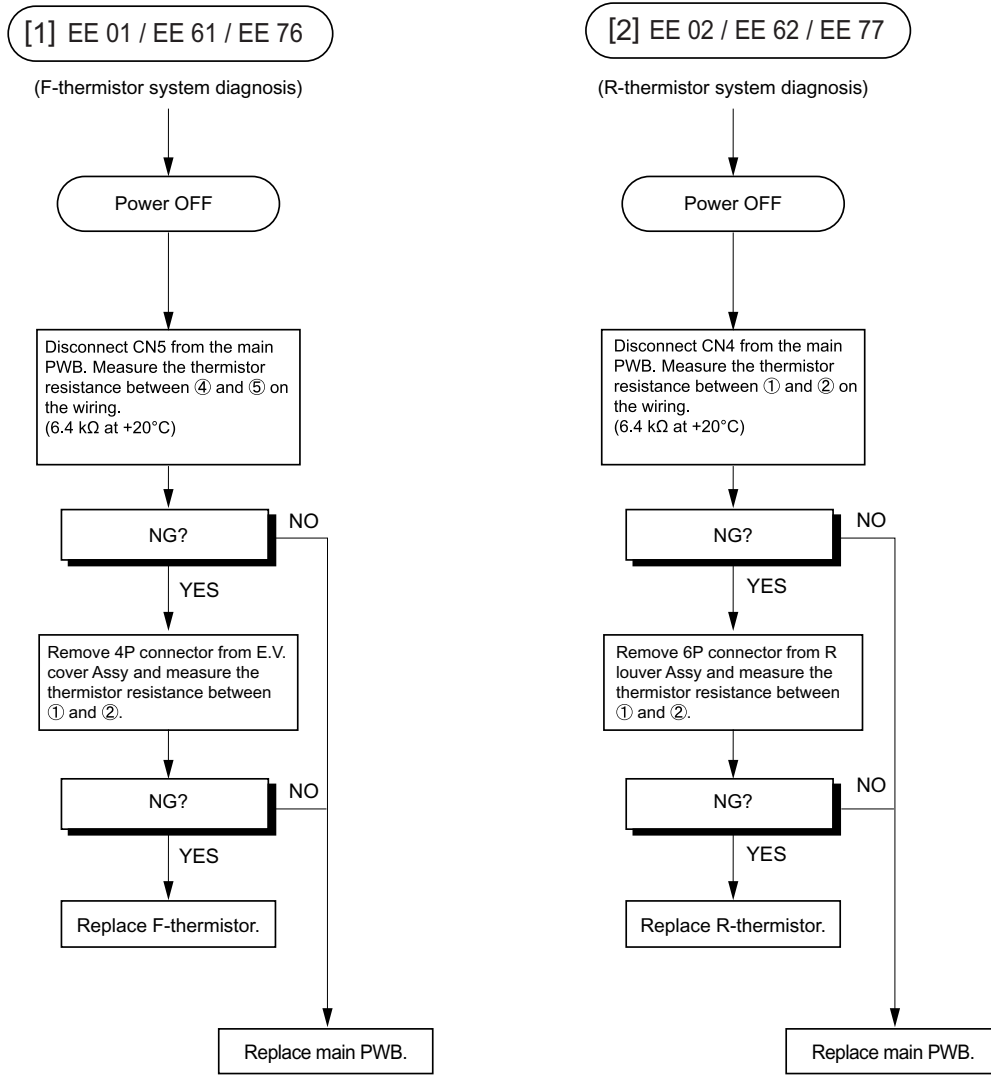
- Buzzer notice example; (at defrost defect, 2 times of 0.5 second ON)



No	Status	Buzzer	LCD Display	Content	Correspondence method
-	No defects	None	- - - -		
1	F-thermistor system defect	●	EE 01	Defect of each thermistor, short circuit/wire breakage of thermistor wiring and defect of main PWB	→[1]
2	R-thermistor system defect	●	EE 02		→[2]
3	DEF-thermistor system defect	●	EE 03		→[3]
4	Outside temperature-thermistor system defect	●	EE 04		→[4]
5	Defrost defect	● ●	EE 07	Wire breakage of fuse-defrost heater, defect of main PWB (120-minute defrosting has been occurred continuously 2 times within the past 48 hours.)	→[5]
6	F fan motor system defect	● ● ●	EE 08	Defect of each fan motor, fan-lock and defect of wiring/main PWB (When fan motor is ON, over current or no current is detected.)	→[6]
7	C fan motor system defect	● ● ●	EE 09		→[7]
8	R fan motor system defect	● ● ●	EE 10		→[8]
9	Ionizer (Plasmacluster) system defect	● ● ●	EE 11		→[9]
10	LCD Display communication defect	● ● ● ● ●	EE 12	Short circuit/wire breakage of wiring and defect of LCD or main PWB (Communication with LCD PWB has been abnormal over 3 times within the past 48 hours.)	→[10]
11	F-thermistor system defect history	◎ ● ●	EH 61	Defect of thermistor system has been occurred over 1 minute continuously within the past 48 hours.	→[1]
12	R-thermistor system defect history	◎ ● ●	EH 62		→[2]
13	DEF-thermistor system defect history	◎ ● ●	EH 63		→[3]
14	Outside temperature-thermistor system defect history	◎ ● ●	EH 64		→[4]
15	F fan motor system defect history	◎ ● ●	EH 66	Defect of fan motor has been occurred over 3 times continuously within the past 48 hours.	→[6]
16	C fan motor system defect history	◎ ● ●	EH 67		→[7]
17	R fan motor system defect history	◎ ● ●	EH 68		→[8]
18	Ionizer (Plasmacluster) electrifying defect history	◎ ● ●	EH 72	Defect of Ionizer (Plasmacluster) electrifying has been occurred over 3 times continuously within the past 48 hours.	→[9]
19	F-room high temperature history	◎ ● ●	EH 76	Temperature of F-thermistor has been reached over -10°C continuously for 6 hours or more within the past 48 hours. (except right after the installation)	→[1]
20	R-room high temperature history	◎ ● ●	EH 77	Temperature of R-thermistor has been reached over +10°C continuously for 6 hours or more within the past 48 hours. (except right after the installation)	→[2]

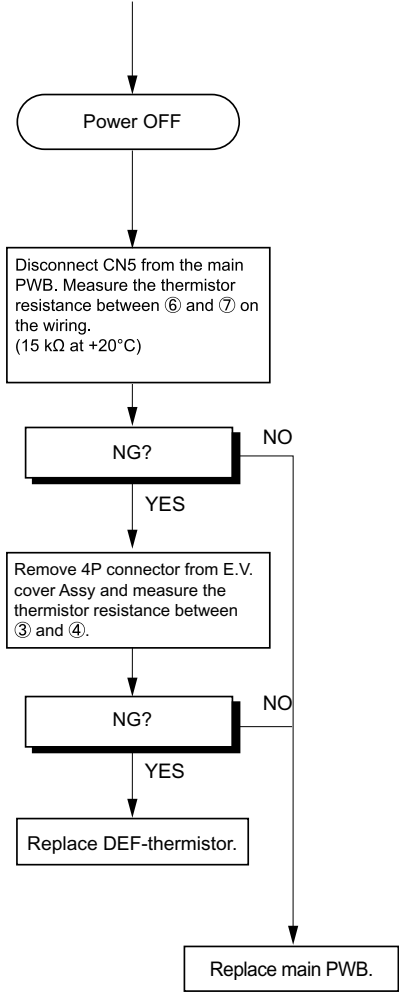
• Buzzer: ● =0.5 sec ON/0.5 sec OFF, ◎ =2 sec ON/0.5 sec OFF

Correspondence method



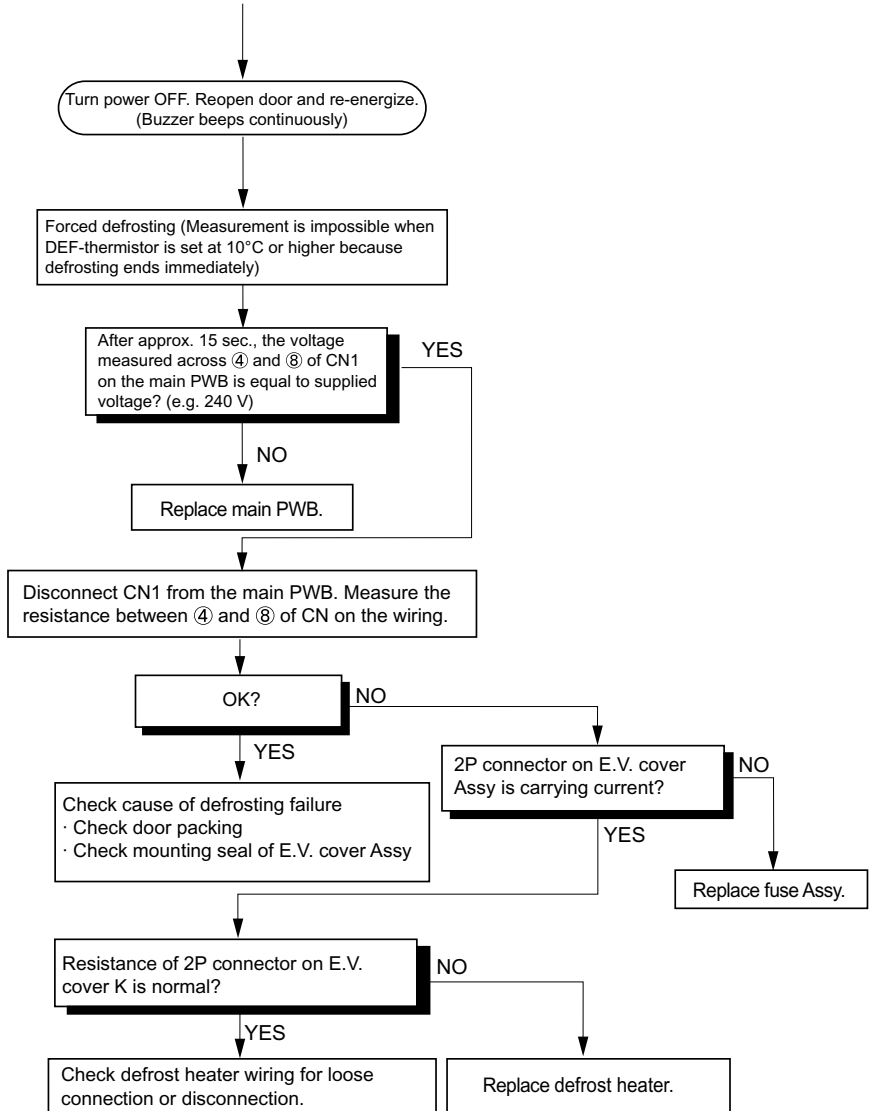
[3] EE 03 / EE 63

(DEF-thermistor system diagnosis)



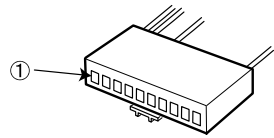
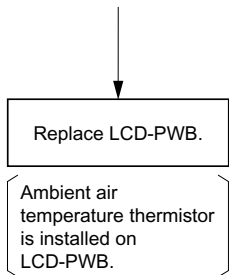
[5] EE 07

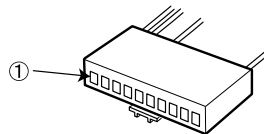
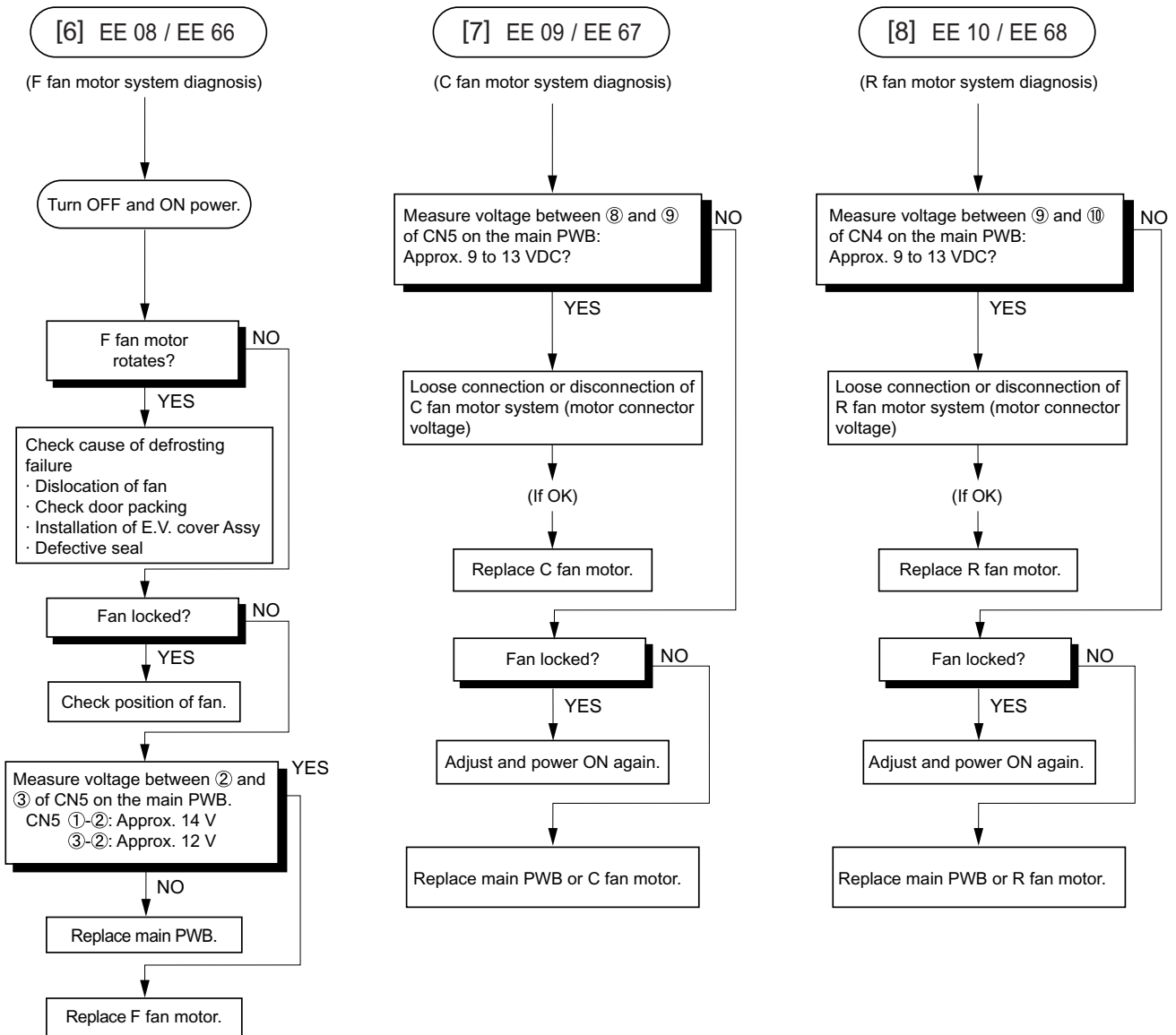
(Defrosting diagnosis)

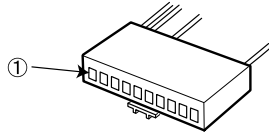
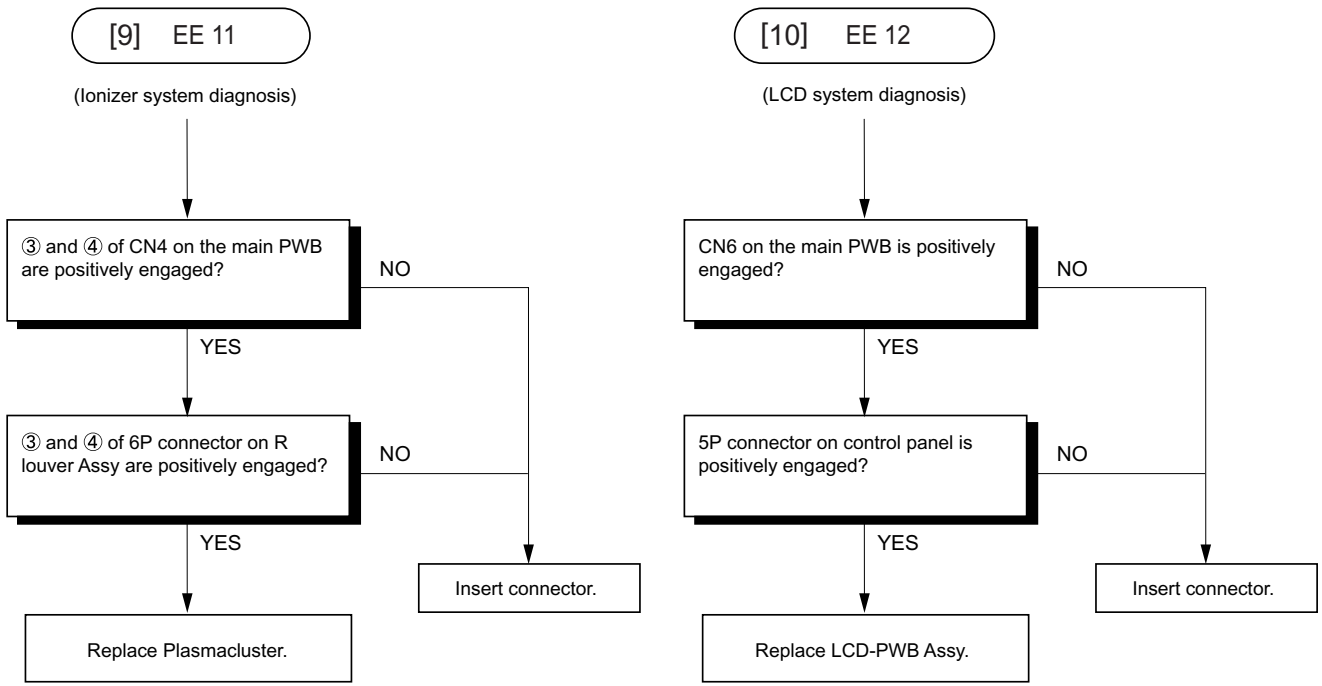


[4] EE 04 / EE 64

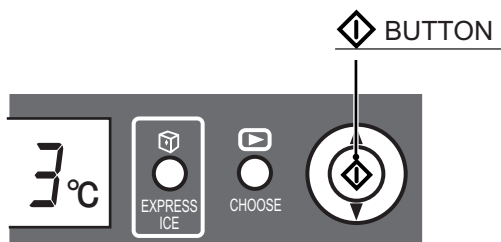
(Ambient air temperature - thermistor system diagnosis)







CHAPTER 9. MODE FOR DISPLAY




1. Entering method of the mode

Within 2 minutes after main power input, press the [] button over 3 seconds at the opening condition of the refrigerating room door.

NOTE: This cannot be made at the ON condition of CHILD LOCK.

2. Release of the mode

Press the [] button over 3 seconds at the opening condition of the refrigerating room door.

(Even without the above operation, release can be made by main power OFF.)

3. Movement in the mode

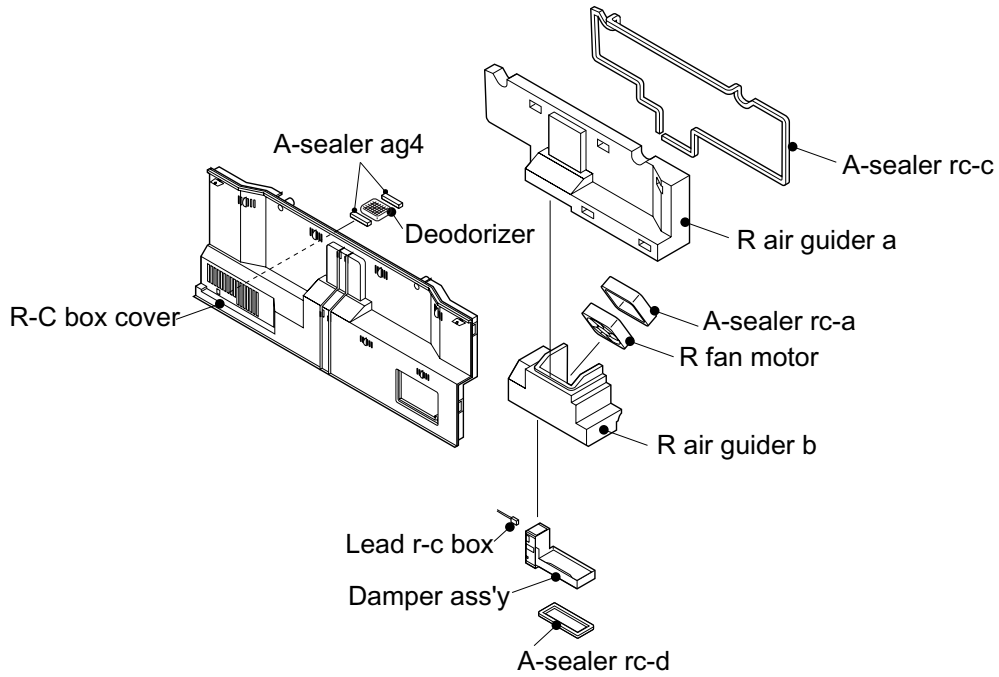
- 1) Compressor, each fan motor, heater and Plasmacluster are stopped.
- 2) Damper is always made [OPEN] condition.
- 3) Indoor lamp is lit when refrigerating room door is open.
- 4) LCD display
 - Icon will be lit at random.
 - In case of starting the timer, express ice making or express freezing, forced termination is made in 20 seconds.

CHAPTER 10. ASSEMBLING PROCEDURES OF MAIN PARTS AND CAUTIONS

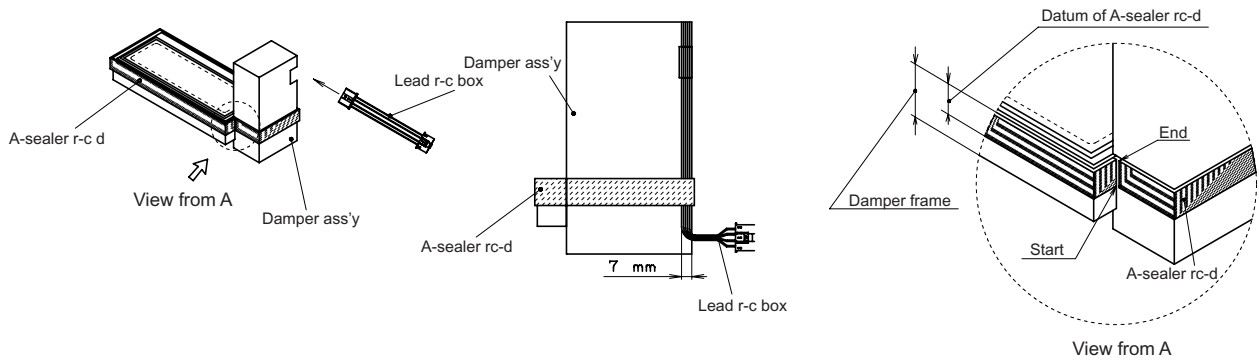
CAUTION: DISCONNECT THE UNIT FROM THE POWER SUPPLY BEFORE ANY REPAIRING.

[1] REFRIGERATOR COMPARTMENT

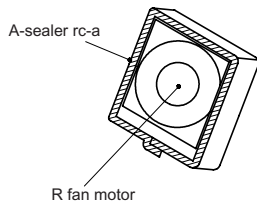
1. Assembling procedures of R CONTROL BOX ASS'Y.



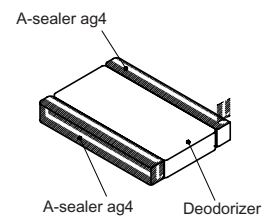
1. Insert Lead r-c box to Damper ass'y and next stick A-sealer rc-d to Damper ass'y (lead wire shall be fix by A-sealer rc-d)



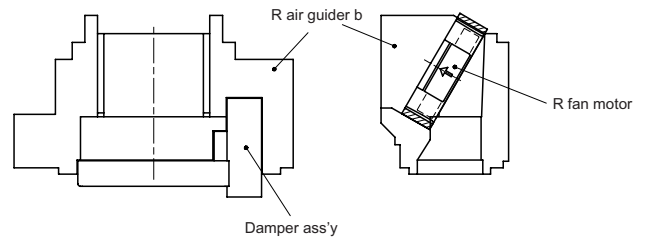
2. Stick A-sealer rc-a to R fan motor.



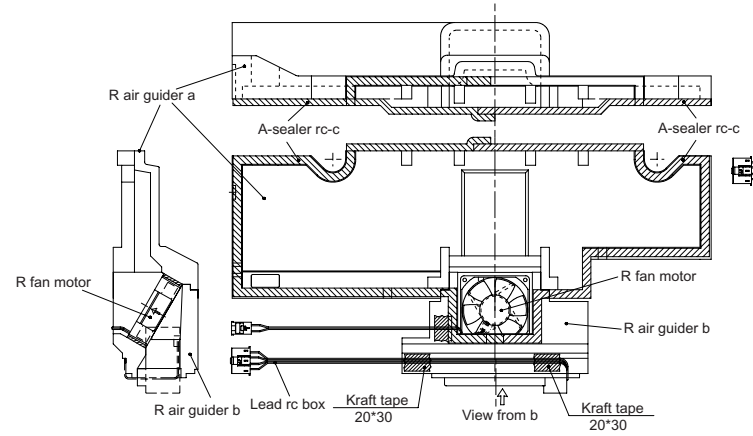
3. Stick A-sealer ag4 to deodorizer.



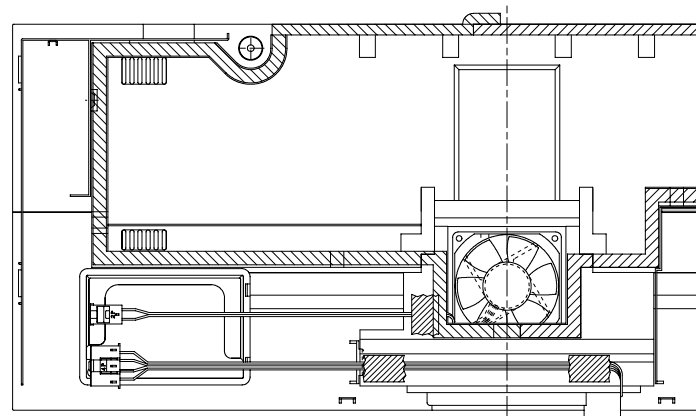
4. Insert R fan motor and damper ass'y to R air guider b.



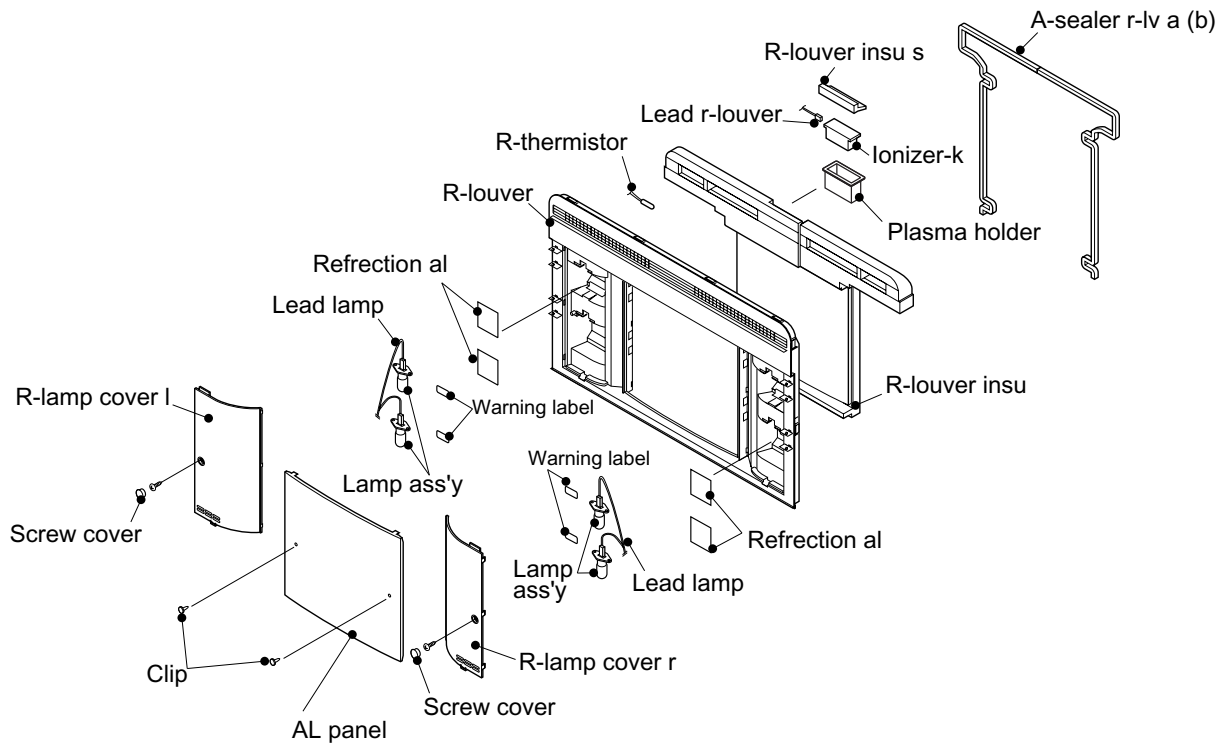
5. Assemble R air guider b to R air guider a. Wire-harness are fixed with kraft tape (insert slot of R air guider).



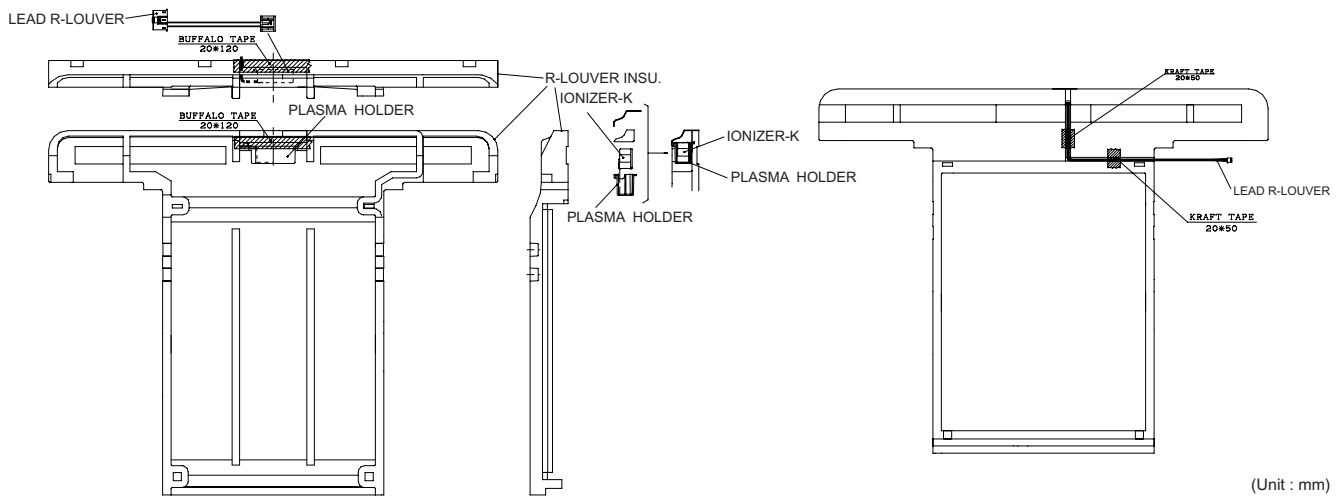
6. Insert Deodorizer to R-C box cover. Assemble these sets and R-C box cover.



2. Assembling procedures of R-LOUVER ASS'Y.

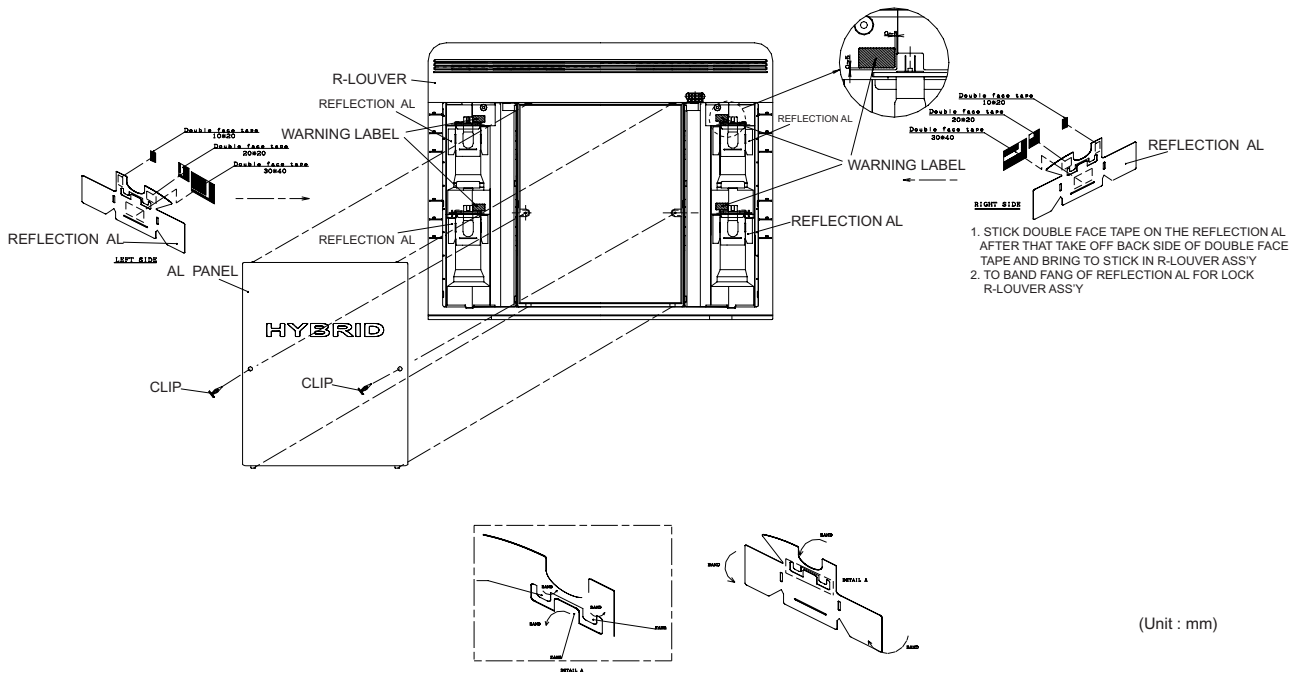


1. Insert lead R-louver into ionizer-k and then insert it into Plasma holder. Assembly the Plasma holder with R-louver insu.

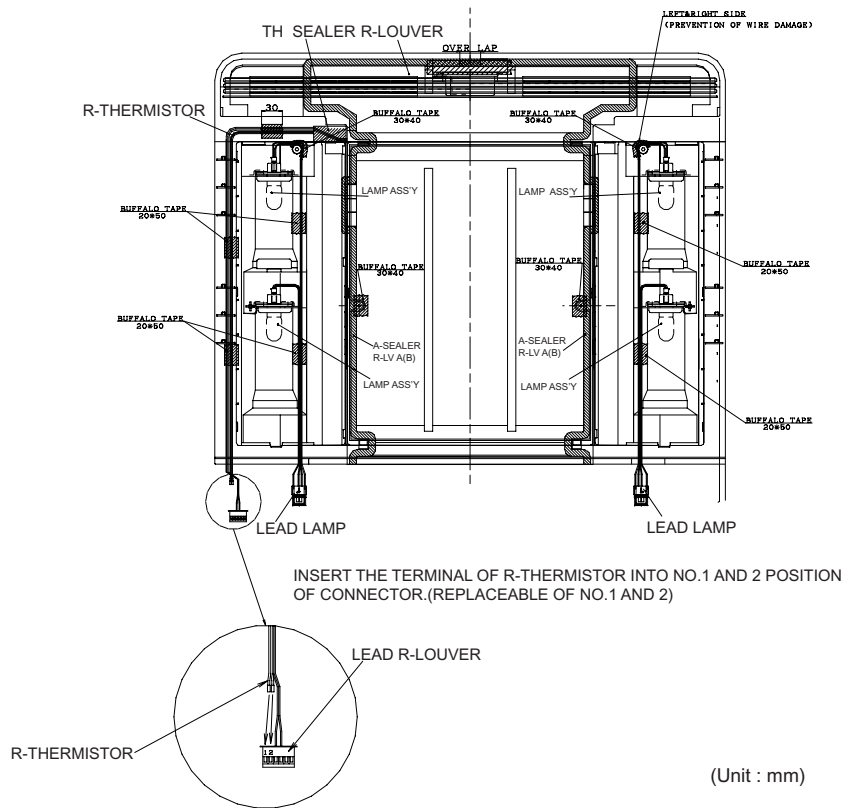


(Unit : mm)

2. Insert the Aluminum panel into R-louver by clip and assembly the R-louver ass'y (Lamp, Reflection AL, Lamp label, etc.)



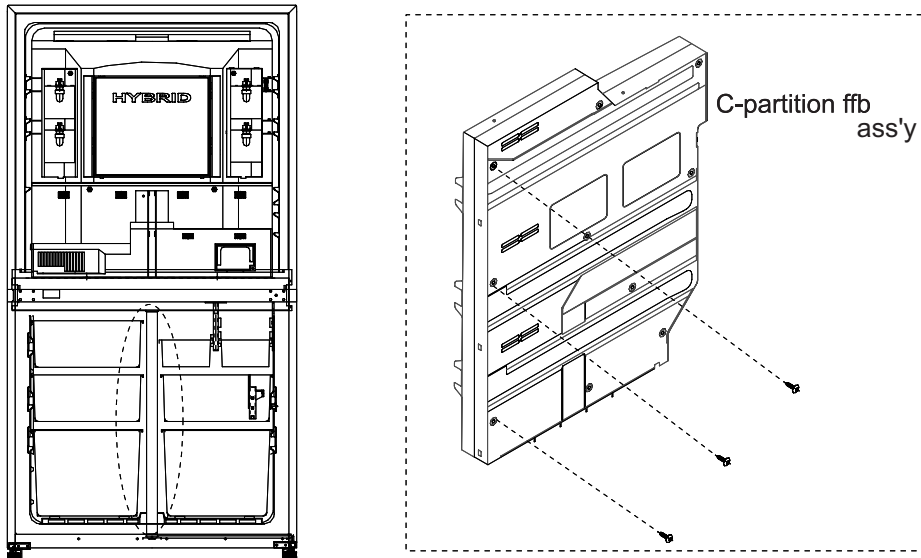
3. Assembly the R-louver insu. from No.1 with R-louver ass'y from No.2 and then stick A-sealer R-lv a(b) (see the picture)



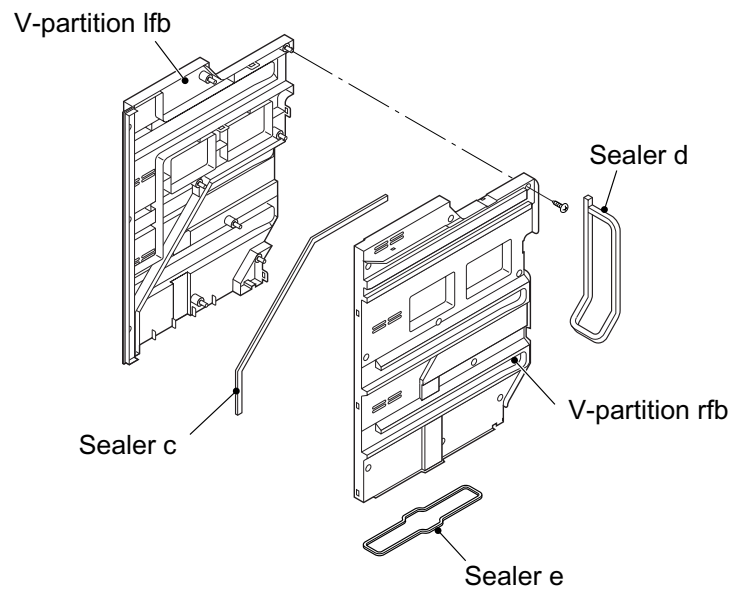
[2] FREEZER COMPARTMENT

1. How to remove the C PARTITION FFB ASS'Y.

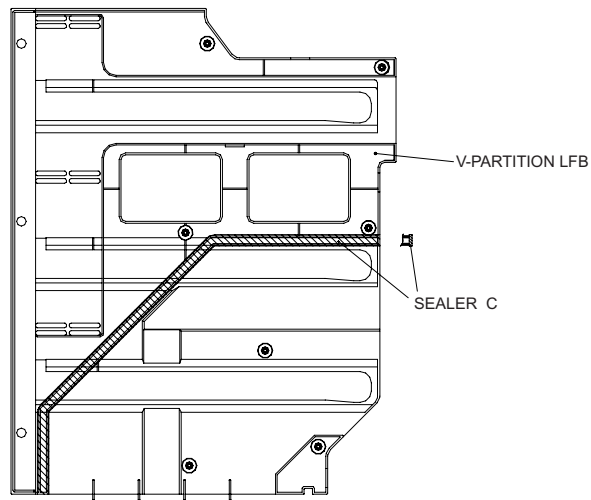
1. Take out 3 screws.
2. Pull out the C-partition ffb.



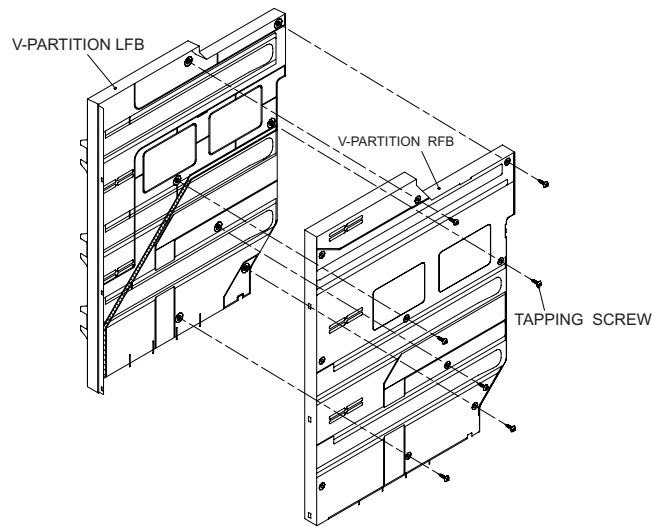
2. Assembling procedures of C PARTITION FFB ASS'Y.



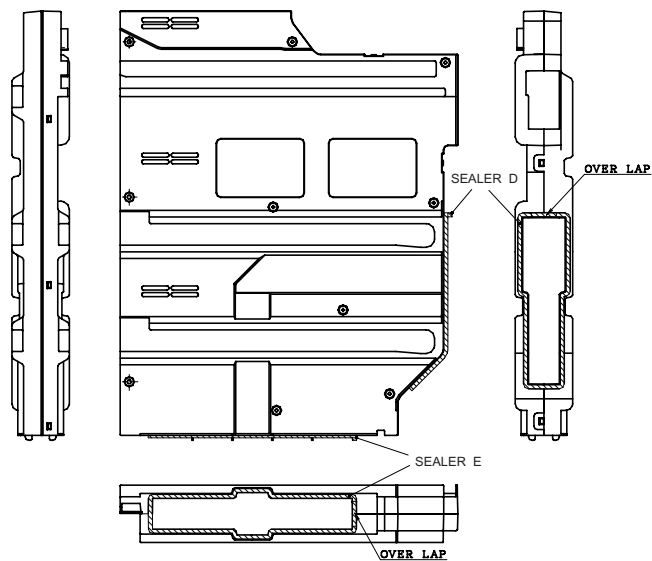
1. Stick Sealer c to V-Partition lfb.



2. Fix V-partition lfb and V-Partition rfb with the tapping screw.

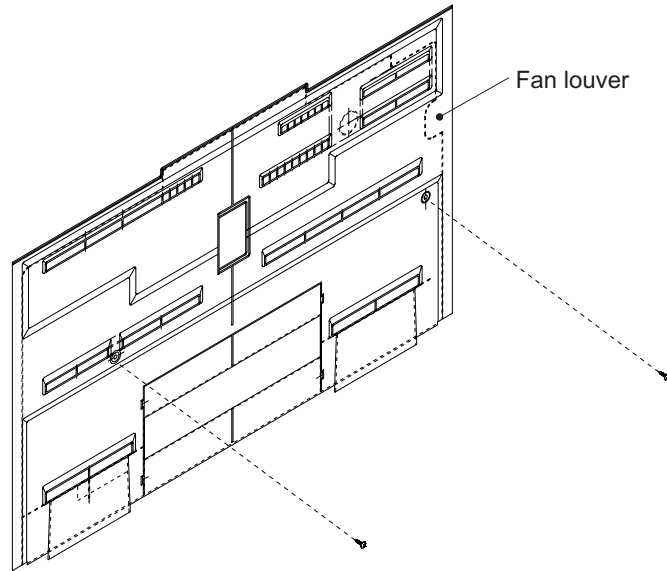


3. Stick Sealer d to the back side.
Stick Sealer e to the bottom side.

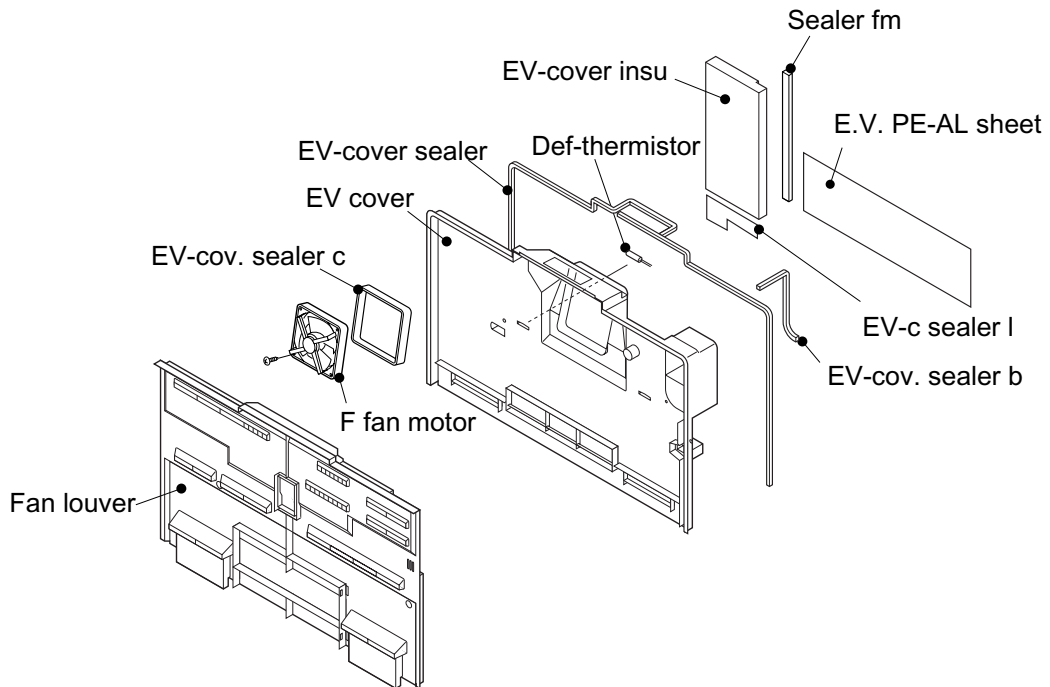


3. How to remove the Fan louver

1. Take out 2 screws.
2. Pull it toward yourself to take off the Fan louver.



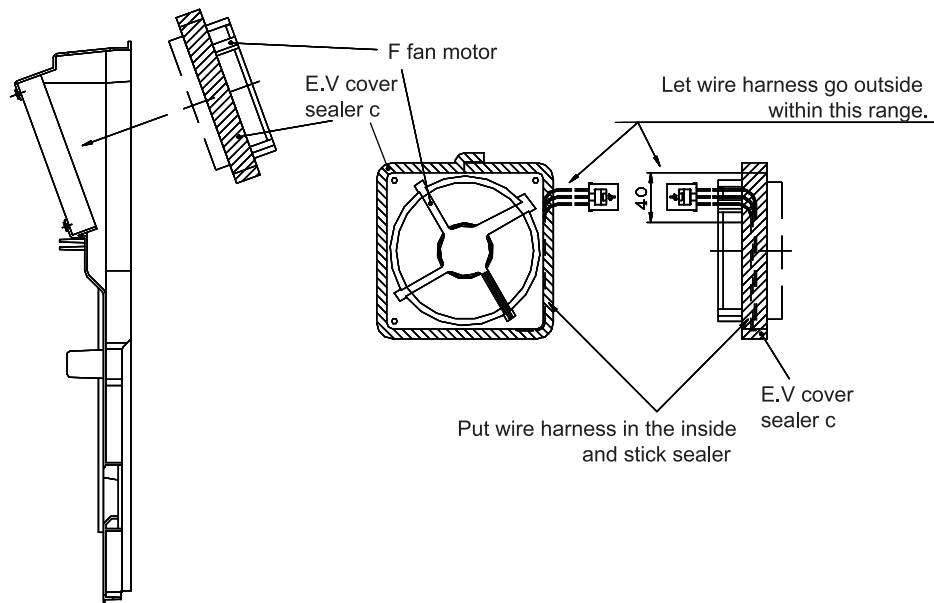
4. Assembling procedures of E.V. COVER ASS'Y.



1. Assembly F fan motor

- i) Sticking of sealer to F fan motor.
- ii) Insert F fan motor to E.V cover .Then fix with tapping screw.

Put in the congravity

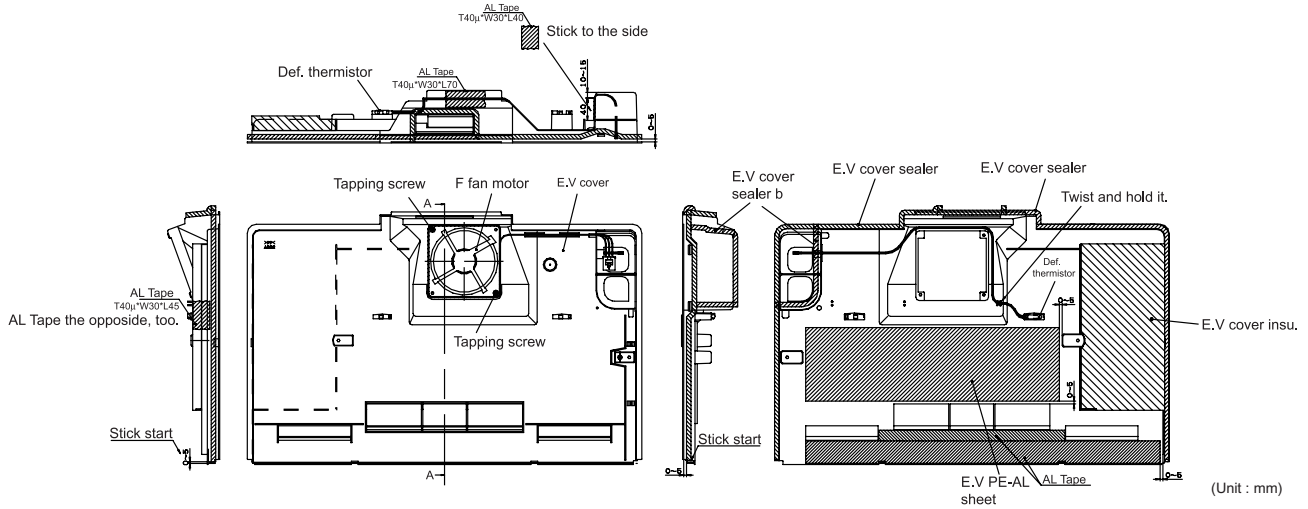


SEC. A-A

2. Sticking of sealers and PE-AL sheet to E.V cover.

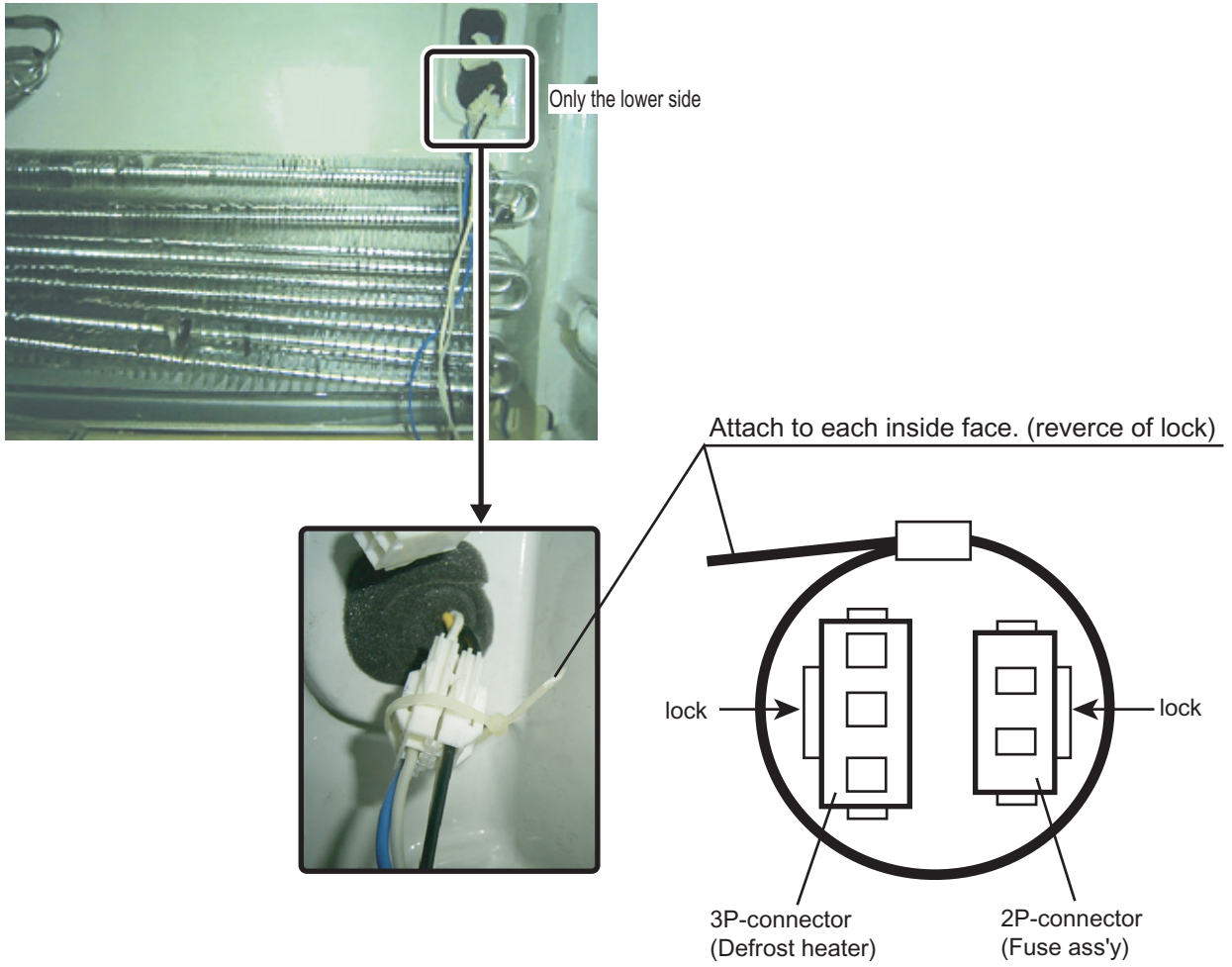
3. Insert Defrost thermistor to E.V cover.

4. Insert E.V cover insulation to E.V cover.



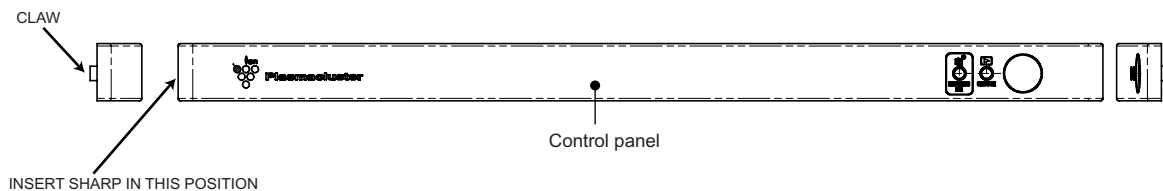
5. Banding the connectors

1. It is necessary to bind the connector joint of the Defrost heater and fuse ass'y in the band.

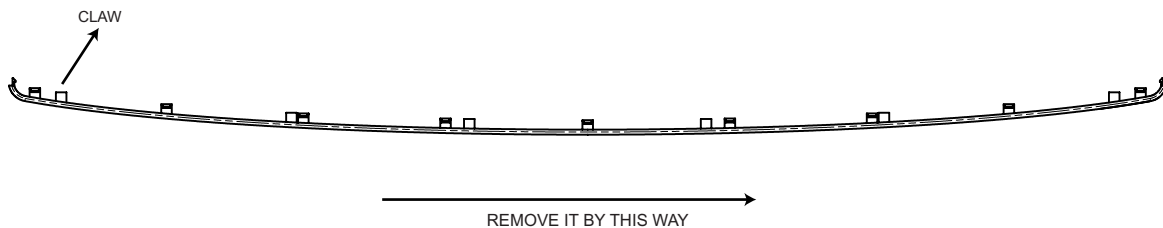


[3] HOW TO REMOVE THE CONTROL BASE

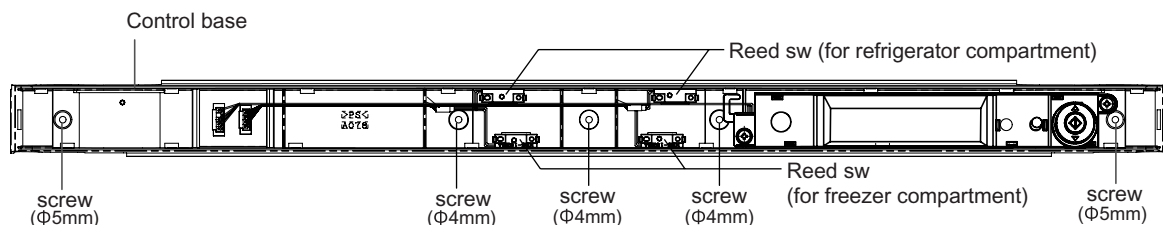
1. Insert the sharp tool into gap between control panel and control base, and then push it for take out the claw from control base.



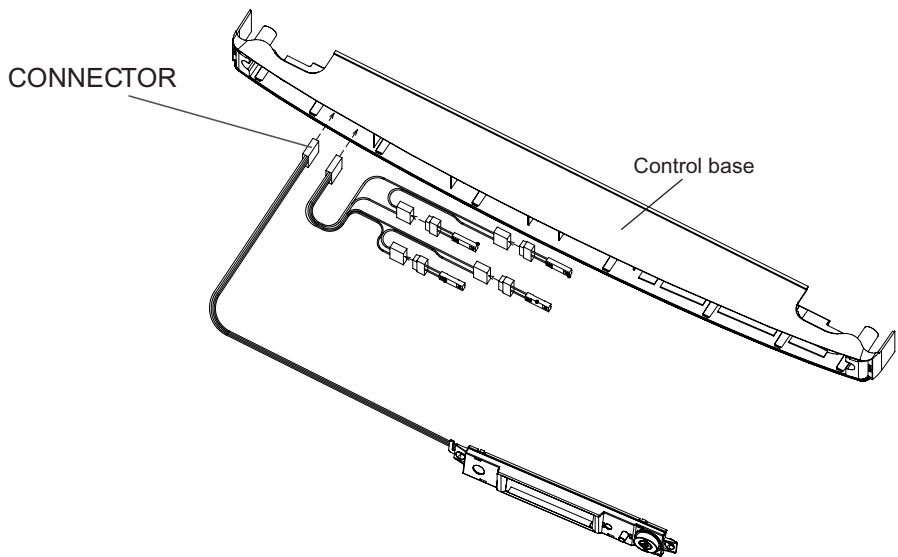
2. Remove the control panel carefully by hand.
(Take out the claw of control panel from control base)



3. Insert the screw driver for take out 5 screws in the position as see the picture.



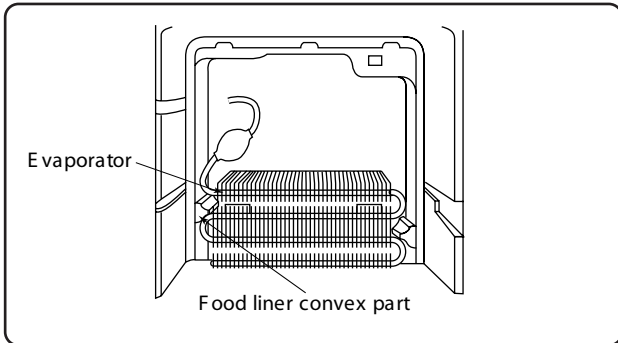
4. Take off the connector (2 connectors) and then remove the control base.



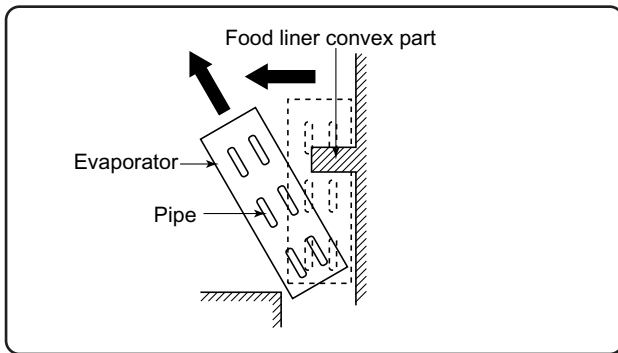
[4] DEFROST HEATER

1. Taking-out Evaporator

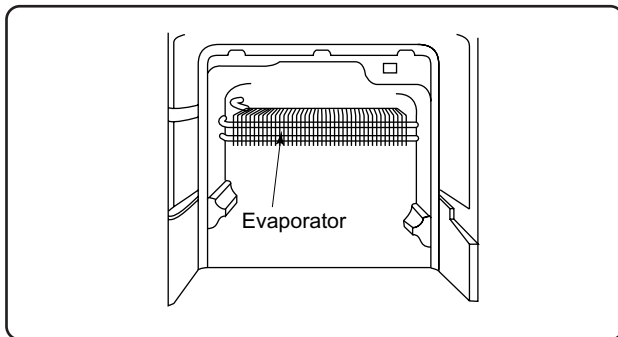
1. Take-out C Partition ffb ass'y.
2. Take-out Fan louver.
3. Take-out E.V cover ass'y.



4. As shown in the above figure, pull the upper part of Evaporator toward you, pull it diagonally so that the pipe of Evaporator does not contact the convex part of food liner.



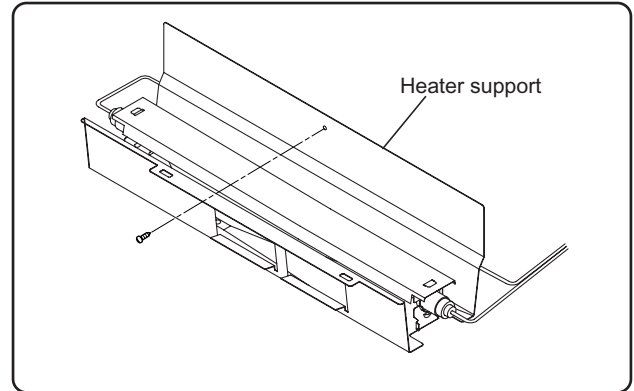
5. Pull the Evaporator for remove as shown in the above figure.



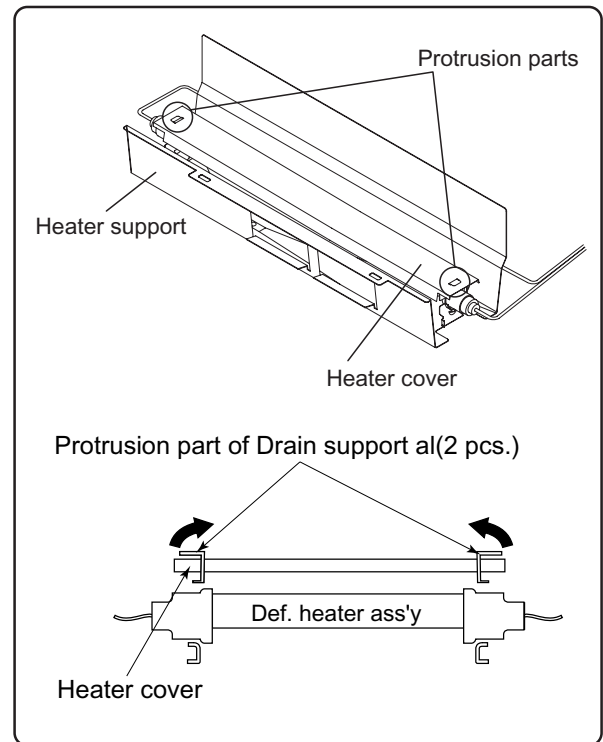
NOTE: When pulling Evaporator and bending the pipes, pay attention so as not to break and deform the pipes. Still, take care not to hurt yourself by fin of Evaporator.

2. Replacement of Def. heater.

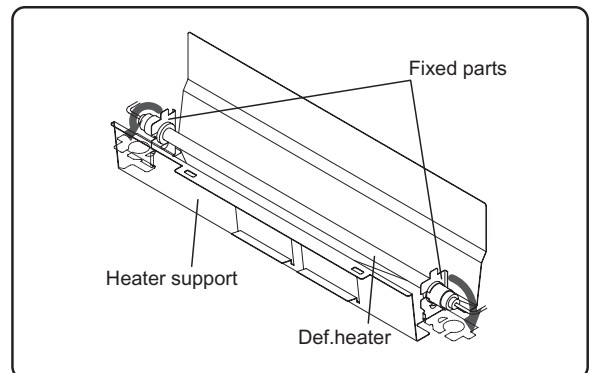
1. Remove the center screw of Heater support to take it off from the food liner.



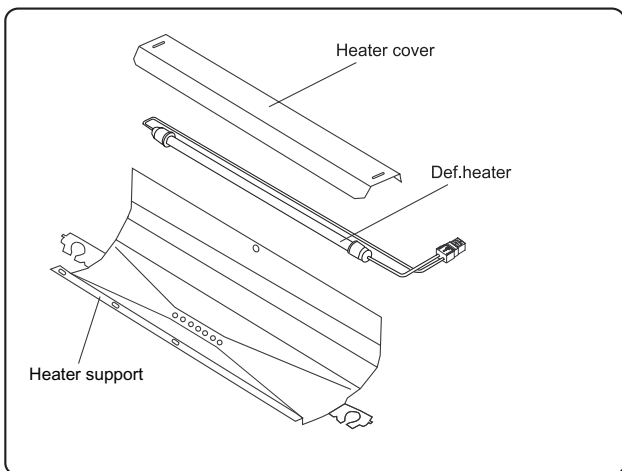
2. Raise the protrusion part of Heater support. Then remove Heater cover.



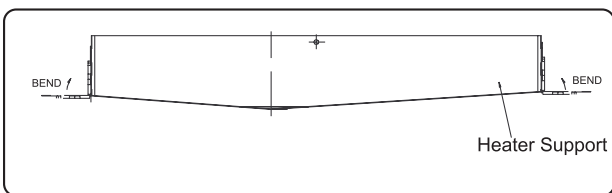
3. Open Def.heater fixed part of Heater support to the right and left, then remove Def.heater.



4. Replace Def. heater with new one.

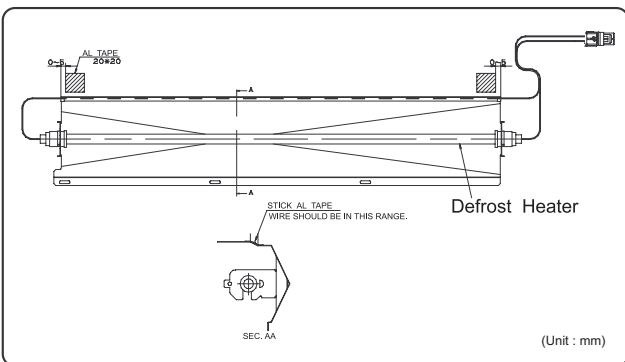


5. Bend end of heater support.

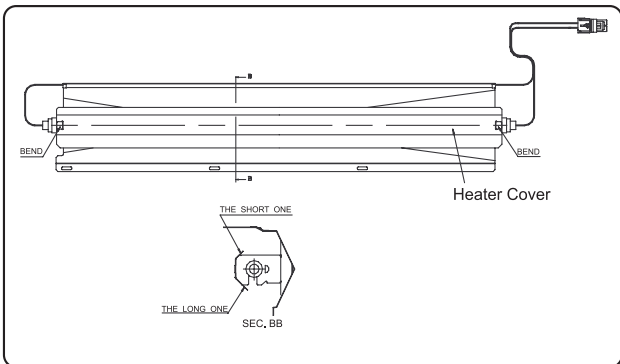


6. Assemble Defrost heater to Heater Support.

7. Assemble Heater cover to Heater Support. Bend top edge to outside.



8. Roll the leading wire Sealer to Lead wire Defrost Heater.



3. Installing of Evaporator

1. Install Evaporator as shown in 1-3 in the reverse order of 1-4.

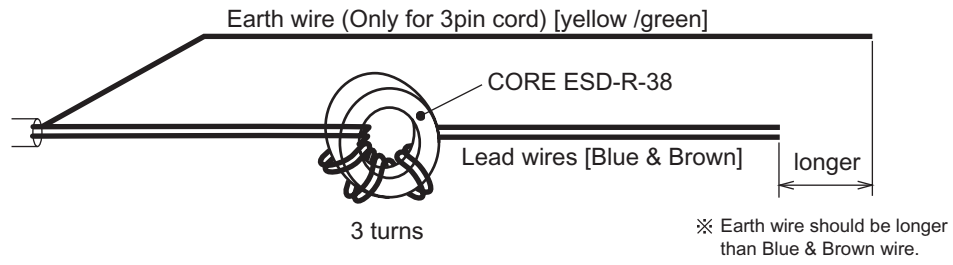
2. Correct the deformed fin.

NOTE: 1. When installing Evaporator, take care not to deform significantly and break the pipes.

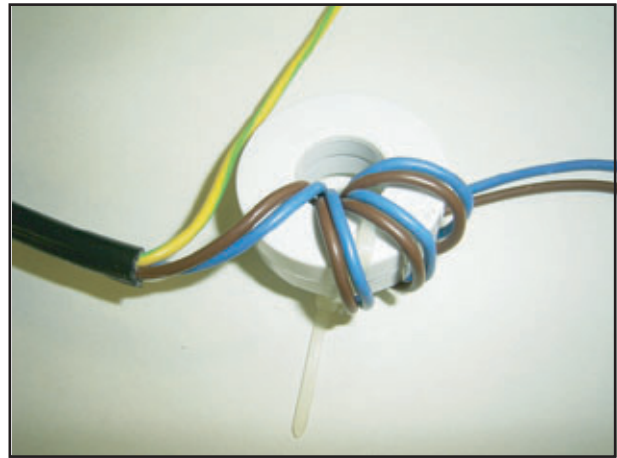
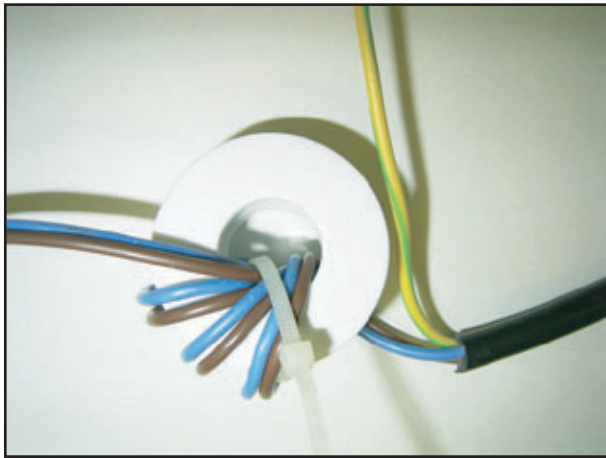
2. Take care not to damage the lead wires and hurt yourself by the fin of Evaporator.

[5] REPLACING OF SOURCE CORD

1. Compile two power supply leads. Let it go through in a CORE ESD-R-38, and wind up three times.



2. Fix it by Nylonband so that lead wires do not loosen. Wear Nylonband diagonally.



(Back side)

[6] HOW TO REMOVE THE DOOR HANDLES

1. R-door handle

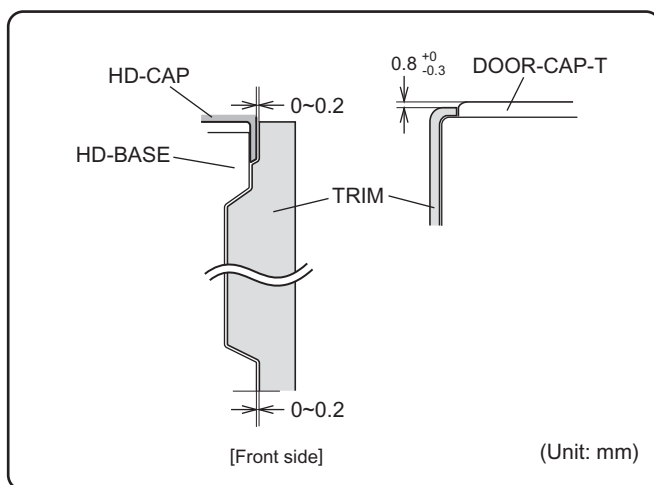
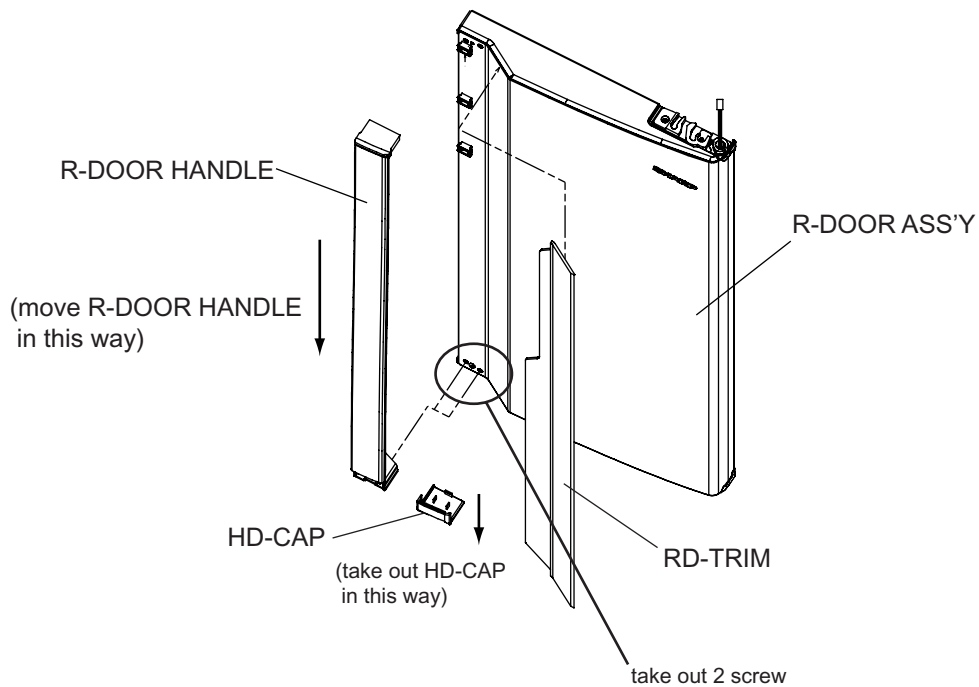
1. Take out RD-TRIM from R-DOOR ASS'Y.

CAUTION: RD-TRIM is bonded with double-sided tape.

Once removed, adhesive force of RD-TRIM becomes reduced and may not be used again.

2. Take out the HD-CAP from R-DOOR HANDLE (by hand).
3. Insert screw driver to take out 2 screw at the indicated position.(See the figure).
4. Move the R-DOOR HANDLE from R-DOOR ASS'Y.

(These methods are same in R-DOOR R ASS'Y and R-DOOR L ASS'Y.)



2. F-door handle

1. Take out FD-TRIM from F-DOOR ASS'Y.

CAUTION: FD-TRIM is bonded with double-sided tape.

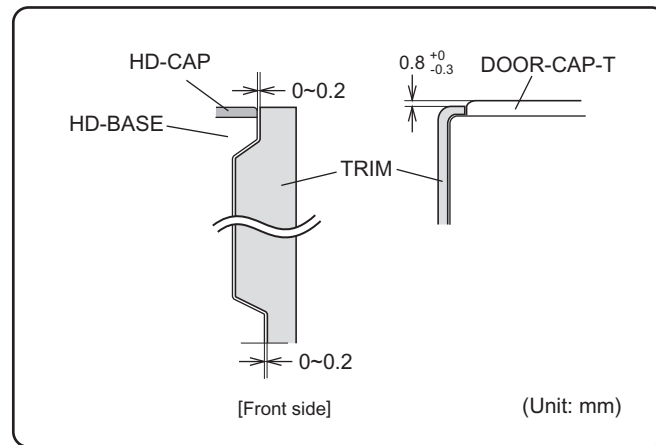
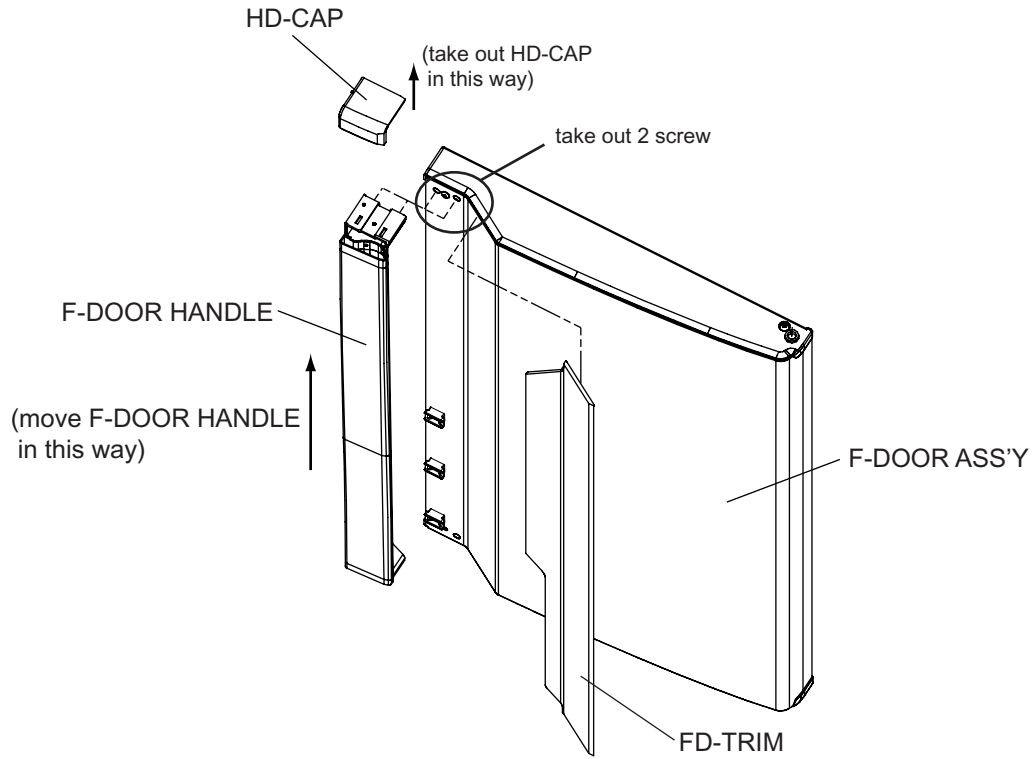
Once removed, adhesive force of FD-TRIM becomes reduced and may not be used again.

2. Take out the HD-CAP from F-DOOR HANDLE (by hand).

3. Insert screw driver to take out 2 screw at the indicated position.(See the figure).

4. Move the F-DOOR HANDLE from F-DOOR ASS'Y.

(These methods are same in F-DOOR R ASS'Y. and F-DOOR L ASS'Y.)



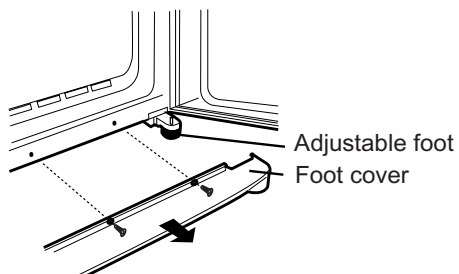
[7] WHEN LEFT AND RIGHT DOORS ARE NOT ON THE SAME LEVEL

1. Cause

The floor is not flat and refrigerator is slanting.

2. Adjustment

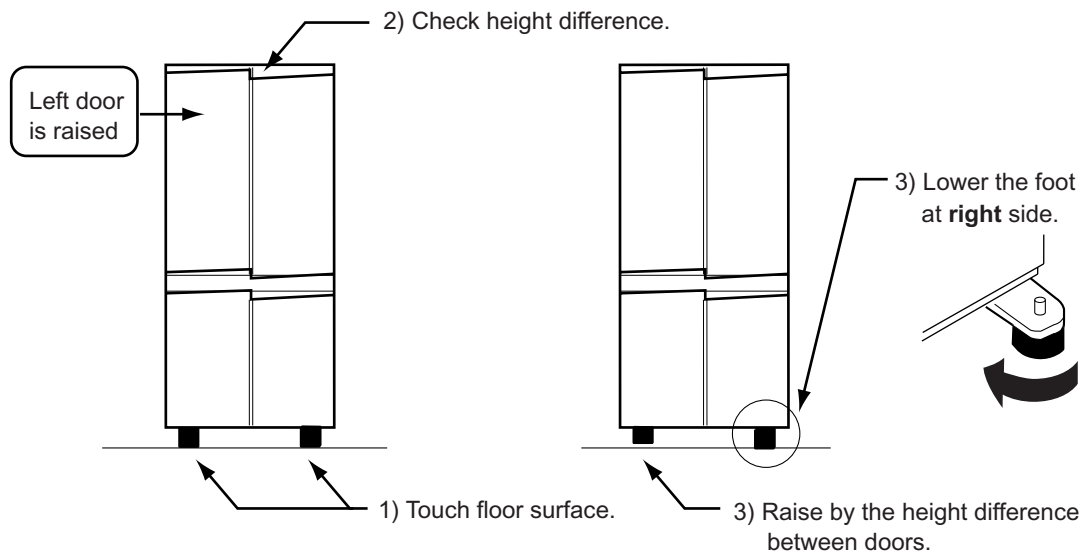
1. Unscrew 4 screws on the bottom of the cabinet, and remove the foot cover.



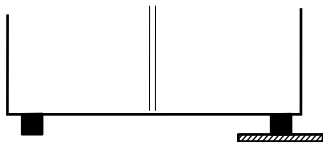
2. Adjust the adjustable feet as follows:

[When left door is raised]

- 1) Raise and then lower the both feet until they touch the floor.
- 2) Measure the height difference between right and left doors.
- 3) Extend the right door adjustable foot until the left adjustable foot floats by the distance equal to the door level difference.
- 4) Several days are required until the both feet touch the floor and refrigerator seats stably.



- 5) If the height difference is not completely compensated, place a plate of the right thickness under the adjustable foot.

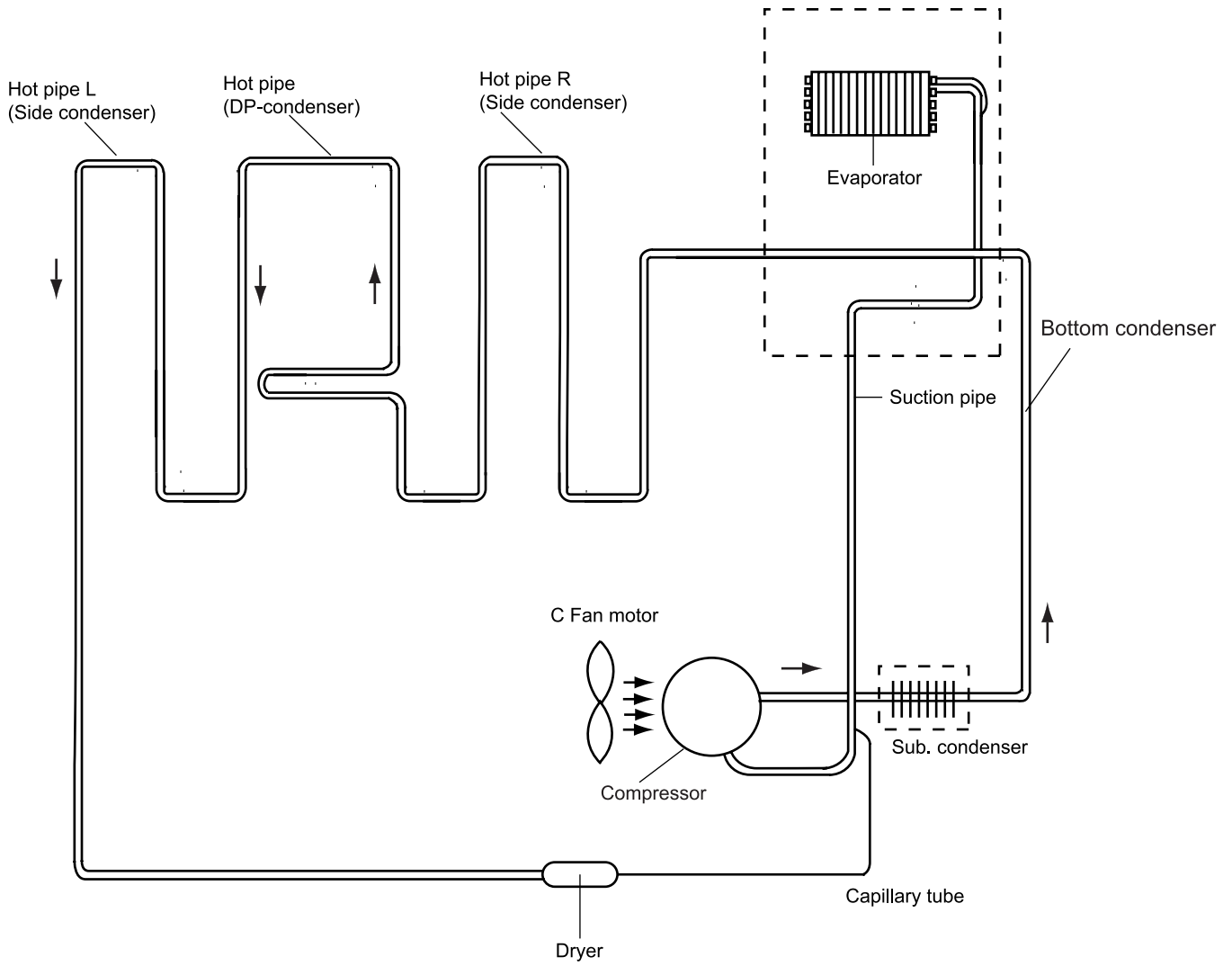


NOTE: When the right door is higher than the left door, extend the left adjustable foot.

CHAPTER 11. COOLING UNIT

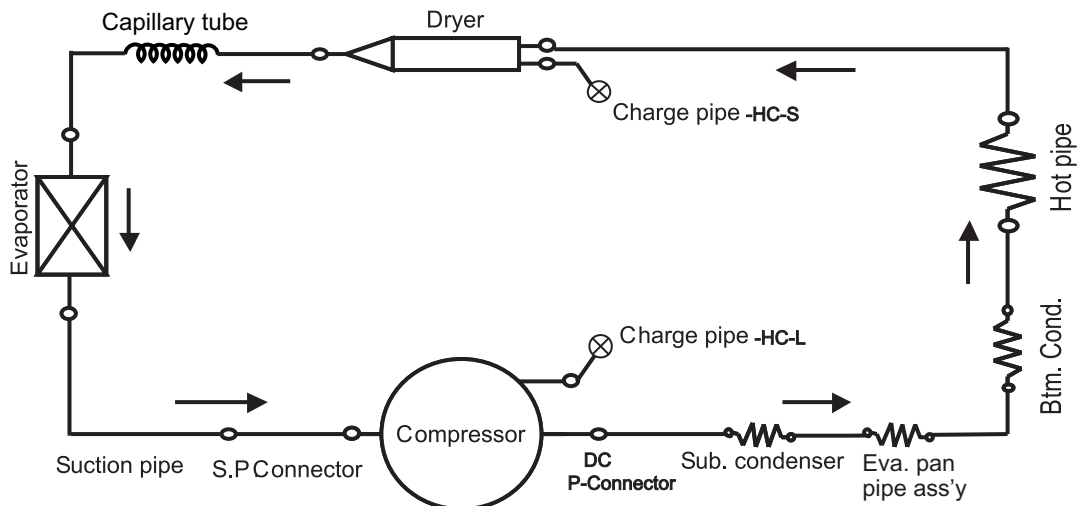
[1] COOLING UNIT

→ Mark: Refrigerant flow



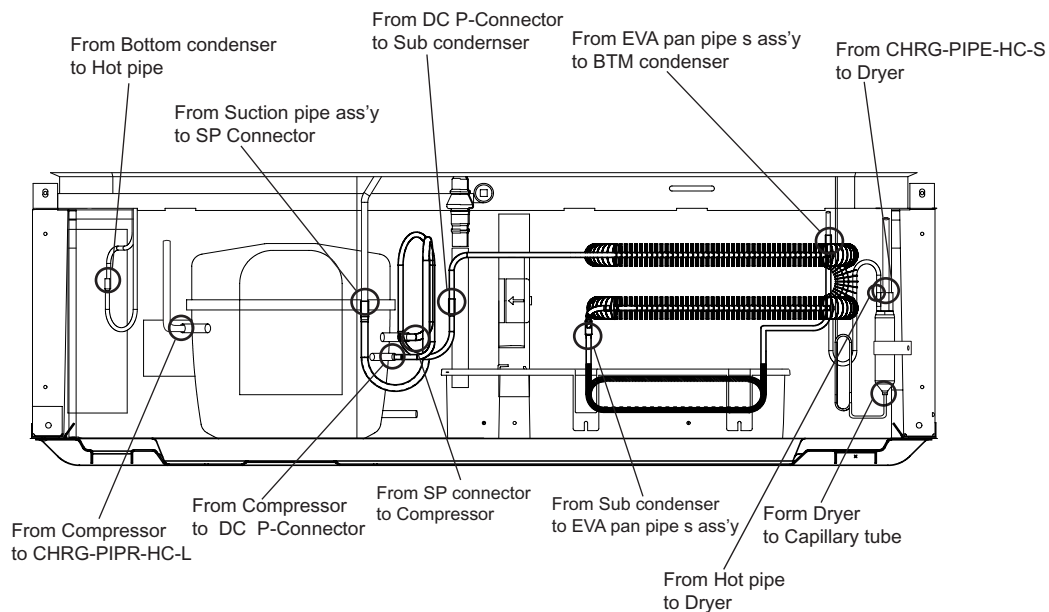
[2] LOCATION

1. Location 1

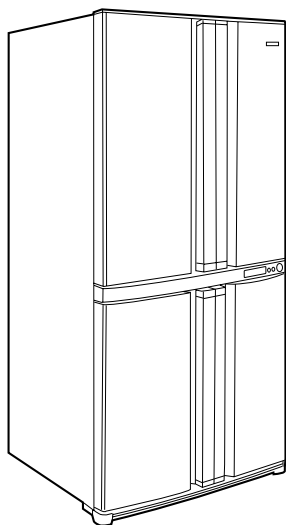


- ⊗ Mark shows pinch points
- Mark shows welding points

2. Location 2



SHARP PARTS GUIDE



Refrigerator-freezer

MODELS

SJ-F72PC-BE/SL/WH

SJ-F73PE-BE/SL/WH

SJ-F74PS-SL

SJ-F77PC-BE/SL/WH

SJ-F78PE-BE/SL/WH

SJ-F79PS-SL

CONTENTS

- | | |
|-----------------------|------------------------|
| [1] SJF72PC DOOR | [11] SJF74PS DOOR |
| [2] SJF72PC CABINET1 | [12] SJF74PS CABINET1 |
| [3] SJF72PC CABINET2 | [13] SJF74PS CABINET2 |
| [4] SJF72PC BACK SIDE | [14] SJF74PS BACK SIDE |
| [5] SJF72PC OTHERS | [15] SJF74PS OTHERS |
| [6] SJF73PE DOOR | [16] SJF77PC DOOR |
| [7] SJF73PE CABINET1 | [17] SJF77PC CABINET1 |
| [8] SJF73PE CABINET2 | [18] SJF77PC CABINET2 |
| [9] SJF73PE BACK SIDE | [19] SJF77PC BACK SIDE |
| [10] SJF73PE OTHERS | [20] SJF77PC OTHERS |

[21] SJF78PE DOOR

[22] SJF78PE CABINET1

[23] SJF78PE CABINET2

[24] SJF78PE BACK SIDE

[25] SJF78PE OTHERS

[26] SJF79PS DOOR

[27] SJF79PS CABINET1

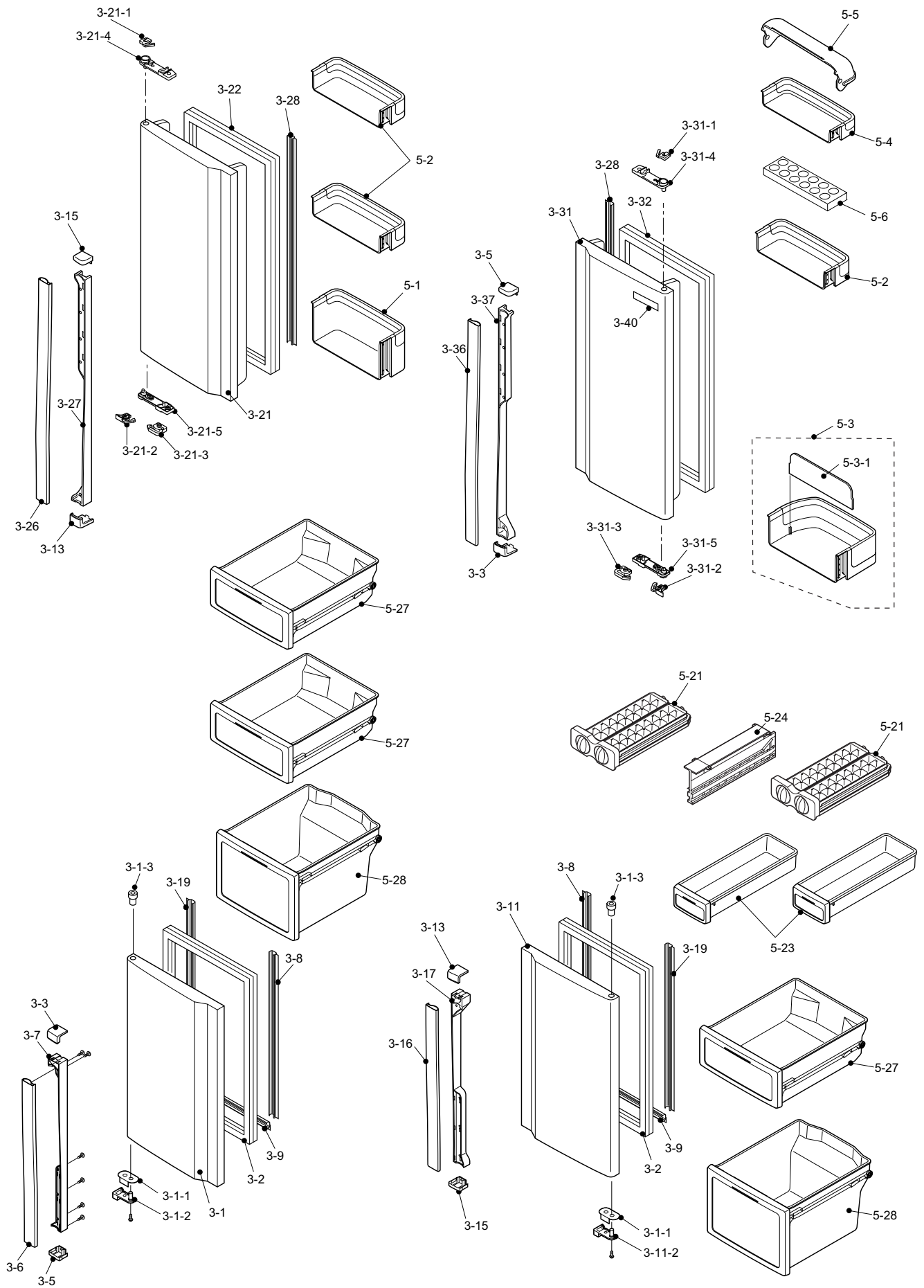
[28] SJF79PS CABINET2

[29] SJF79PS BACK SIDE

[30] SJF79PS OTHERS

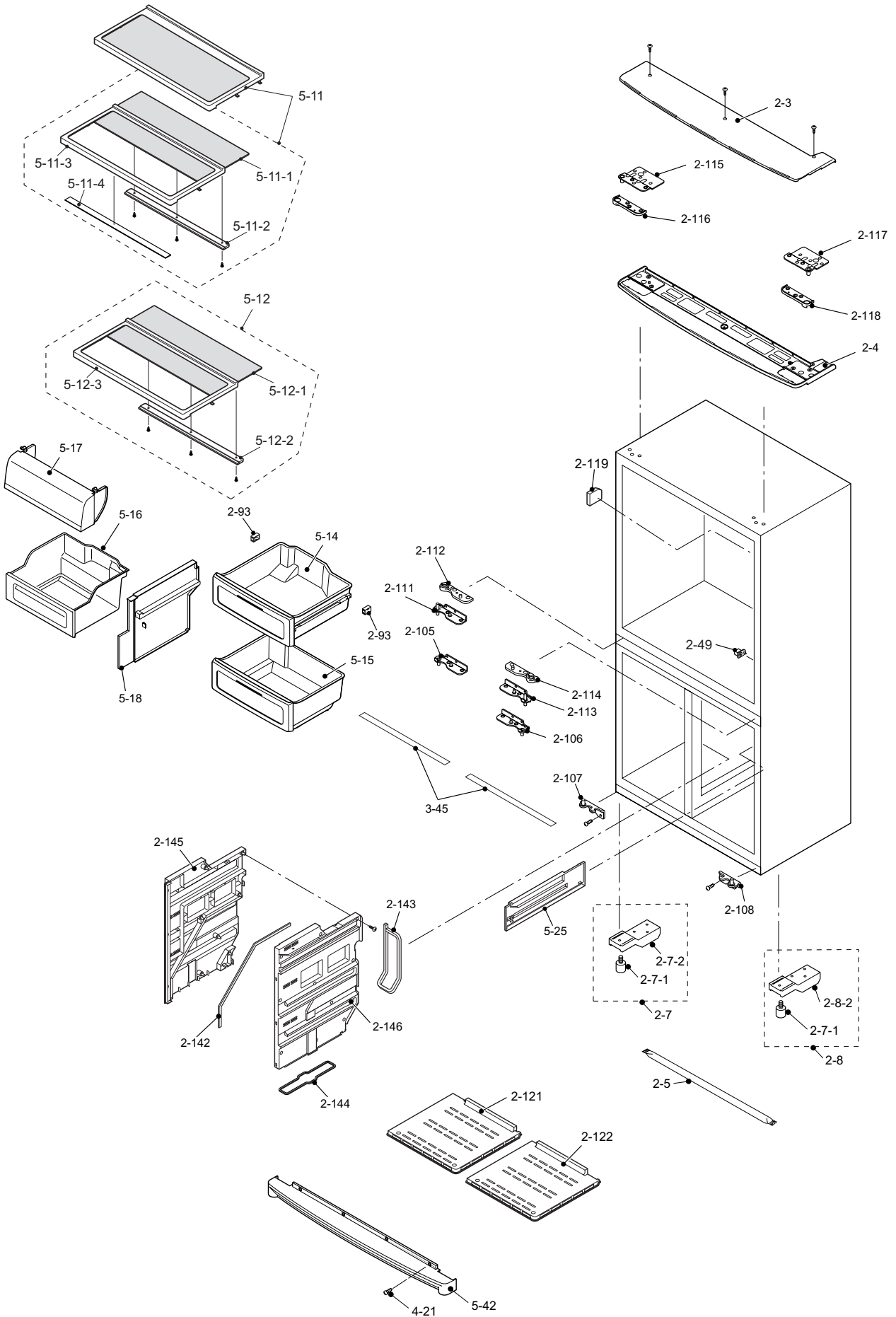
■ INDEX

[1] SJF72PC DOOR



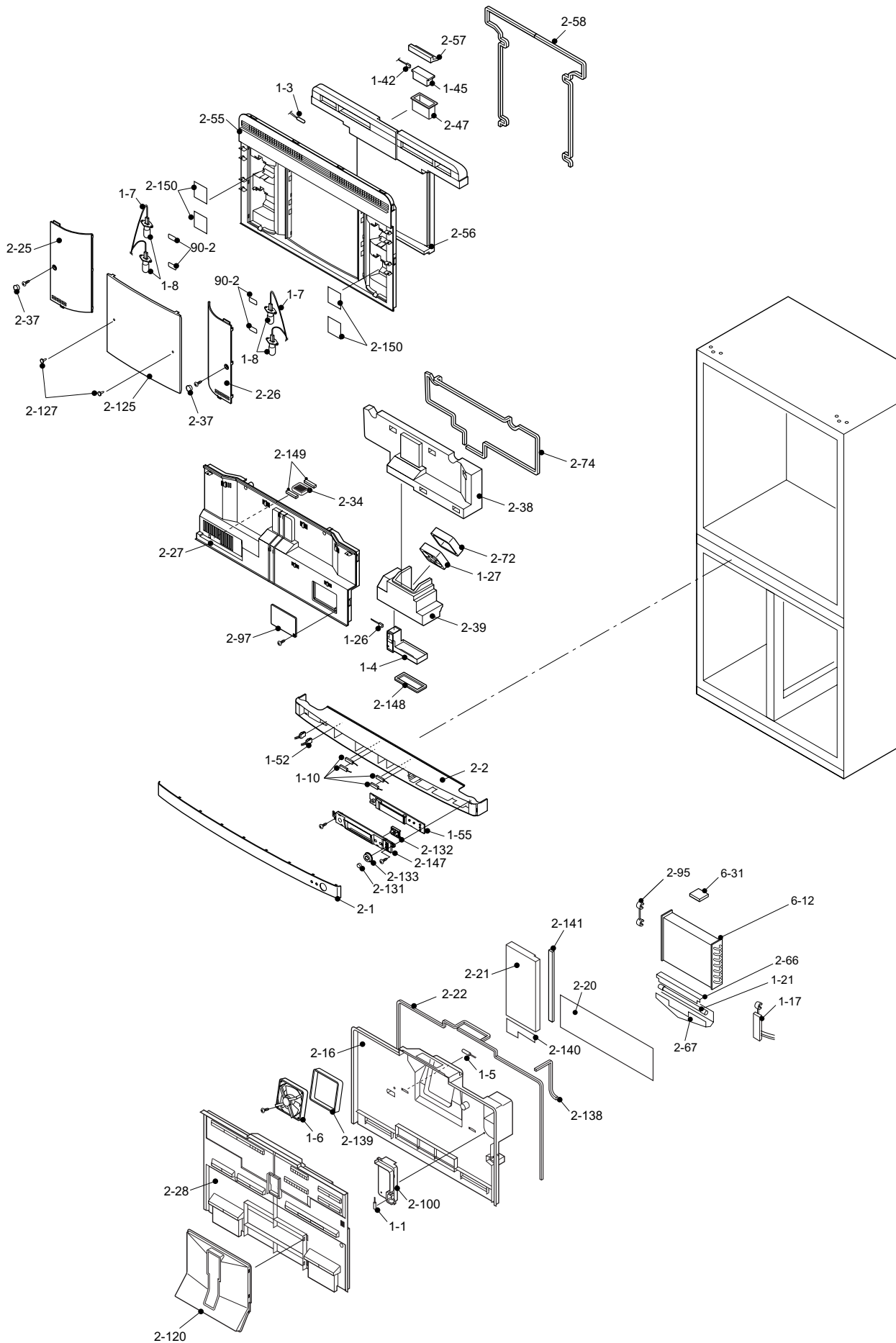
NO.	PARTS CODE	PRICE RANK	NEW MARK	PART RANK	DESCRIPTION
[1] SJF72PC DOOR					
3-1	FDORFB904CBKZ	BQ			F-door l ass'y [SL]
3-1	FDORFB906CBKZ	BQ			F-door l ass'y [BE]
3-1	FDORFB908CBKZ	BQ			F-door l ass'y [WH]
3-1-1	LSTPMA008CBM0	AD			F-door stopper r
3-1-2	LSTPPA146CBFA	AF			Fd-stp spring l
3-1-3	NBRGPA022CBFA	AC			Nylon bearing 3s
3-2	FPACGA431CBYA	AT			F door packing
3-3	HDECQA499CBTA	AK			Hd-cap rbr
3-5	HDECQA505CBTA	AK			Hd-cap rtr
3-6	JHNDPA220CBPA	BG			Fd-handle l
3-7	LPLTPA400CBFA	AT			Hd-base fl [SL]
3-7	LPLTPA400CBFB	AU			Hd-base fl [BE]
3-7	LPLTPA400CBFC	AU			Hd-base fl [WH]
3-8	PPACGA226CBZA	AM			F-sub packing a
3-9	PPACGA227CBZA	AK			F-sub packing b
3-11	FDORFB905CBKZ	BQ			F-door r ass'y [SL]
3-11	FDORFB907CBKZ	BQ			F-door r ass'y [BE]
3-11	FDORFB909CBKZ	BQ			F-door r ass'y [WH]
3-11-2	LSTPPA147CBFA	AF			Fd-stp spring r
3-13	HDECQA501CBTA	AK			Hd-cap rbl
3-15	HDECQA503CBTA	AK			Hd-cap rtl
3-16	JHNDPA221CBPA	BG			Fd-handle r
3-17	LPLTPA401CBFA	AV			Hd-base fr [SL]
3-17	LPLTPA401CBFB	AU			Hd-base fr [BE]
3-17	LPLTPA401CBFC	AU			Hd-base fr [WH]
3-19	PPACGA241CBZA	AK			F-sub packing c
3-21	FDORRB737CBKZ	BR			R-door l ass'y [SL]
3-21	FDORRB743CBKZ	BR			R-door l ass'y [BE]
3-21	FDORRB744CBKZ	BR			R-door l ass'y [WH]
3-21-1	LSTPPA150CBFA	AF			Stp-spring tl
3-21-2	LSTPPA151CBFA	AF			Stp-spring bl
3-21-3	LSTPPA152CBFA	AF			R lock spring l
3-21-4	MSLI-A070CBFA	AE			Door cam tl
3-21-5	MSLI-A071CBFA	AE			Door cam bl
3-22	FPACGA433CBYZ	AW			R door packin l
3-26	JHNDPA224CBPA	BK			Rd-handle l
3-27	LPLTPA406CBFA	AV			Hd-base rl [SL]
3-27	LPLTPA406CBFB	AV			Hd-base rl [BE]
3-27	LPLTPA406CBFC	AV			Hd-base rl [WH]
3-28	PPACGA234CBZZ	AM			R-sub packing
3-31	FDORRB738CBKZ	BR			R-door r ass'y [SL]
3-31	FDORRB745CBKZ	BR			R-door r ass'y [BE]
3-31	FDORRB746CBKZ	BR			R-door r ass'y [WH]
3-31-1	LSTPPA148CBFA	AF			Stp-spring tr
3-31-2	LSTPPA149CBFA	AF			Stp-spring br
3-31-3	LSTPPA153CBFA	AF			R lock spring r
3-31-4	MSLI-A068CBFA	AE			Door cam tr
3-31-5	MSLI-A069CBFA	AE			Door cam br
3-32	FPACGA443CBYZ	AX			R door packin r
3-36	JHNDPA225CBPA	BK			Rd-handle r
3-37	LPLTPA407CBFA	AV			Hd-base rr [SL]
3-37	LPLTPA407CBFB	AV			Hd-base rr [BE]
3-37	LPLTPA407CBFC	AV			Hd-base rr [WH]
3-40	HBDGDB006CBZA	AZ			Badge
5-1	FPOK-A242CBKZ	AX			Btl-pok l ass'y
5-2	FPOK-A243CBKZ	AV			Door pocket ass'y
5-3	FPOK-A244CBKZ	AZ			Btl-pok r ass'y
5-3-1	LSTYPA044CBFA	AL			B-pok partition
5-4	FPOK-A245CBKZ	AT			Utility pok ass'y
5-5	GDORPA078CBFA	AN			U-pok door
5-6	UTNA-A397CBFA	AH			Egg tray
5-21	FSRA-A244CBYZ	AP			Ice cube maker
5-23	FYOK-A232CBKZ	AV			Ice storage assy
5-24	LSTYPA043CBFA	AW			I-case stay
5-27	FYOK-A231CBKZ	BC			F-case s ass'y
5-28	FYOK-A230CBKZ	BE			F-case l ass'y

[2] SJF72PC CABINET1



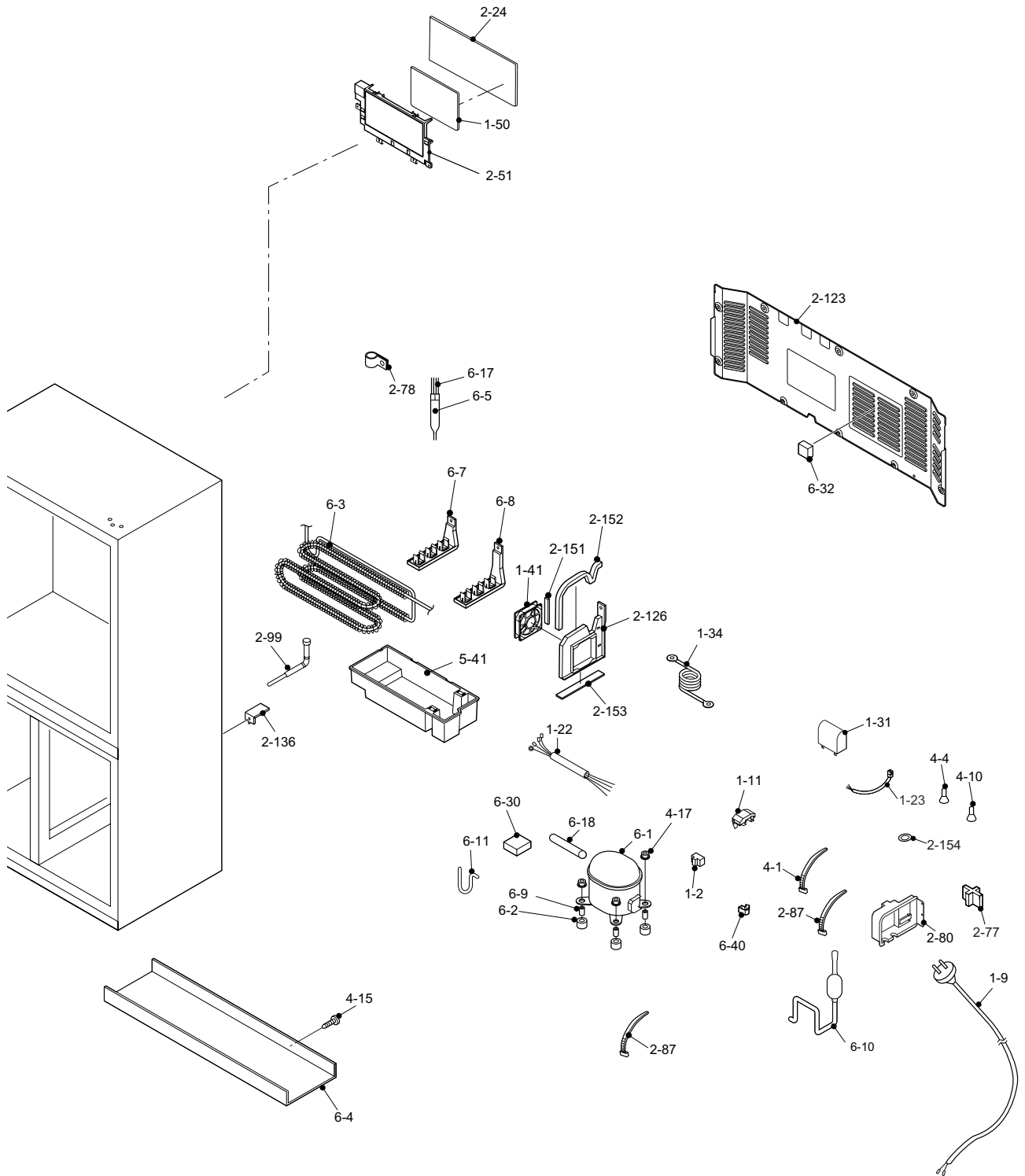
NO.	PARTS CODE	PRICE RANK	NEW MARK	PART RANK	DESCRIPTION
[2] SJF72PC CABINET1					
2-3	PCOVPA398CBFB	AQ			Hinge cover [SL]
2-3	PCOVPA398CBFC	AQ			Hinge cover [BE]
2-3	PCOVPA398CBFE	AQ			Hinge cover [WH]
2-4	LPLTPA399CBFB	AX			Hinge support [BE]
2-4	LPLTPA399CBFC	AX			Hinge support [WH]
2-4	LPLTPA416CBTA	AX			Hinge support-t [SL]
2-5	JHNDMA025CBPZ	AE			Carrying bar
2-7	FLEGPA127CBKZ	AN			Leg holder-ls k
2-7-1	FAJS-A028CBKZ	AZ			Adjustable leg ass'y
2-7-2	FLEGPA123CBYZ	AH			Leg holder-lk
2-8	FLEGPA128CBKZ	AN			Leg holder-rs k
2-8-2	FLEGPA124CBYZ	AH			Leg holder-rk
2-49	LSTPPA108CBFA	AC			Chilled stopper
2-93	PCAP-A068CBFA	AC			C sliding cap a
2-105	DHNG-A537CBMZ	BA			F-hinge lt assy
2-106	DHNG-A538CBMZ	BA			F-hinge rt assy
2-107	DHNG-A539CBMZ	BA			F-hinge lb assy
2-108	DHNG-A540CBMZ	BA			F-hinge rb assy
2-111	FHNG-A231CBMZ	AH			R-hinge lbk
2-112	MSLI-A072CBFA	AE			Hinge cam bl
2-113	FHNG-A232CBMZ	AH			R-hinge rbk
2-114	MSLI-A073CBFA	AE			Hinge cam br
2-115	FHNG-A233CBYZ	AH			R-hinge ltk
2-116	MSLI-A074CBFA	AE			Hinge cam tl
2-117	FHNG-A234CBYZ	AH			R-hinge rtk
2-118	MSLI-A075CBFA	AE			Hinge cam tr
2-119	FPLTPA107CBKZ	AM			Temp.meter ass'y
2-121	GCOV-A280CBFA	AV			F-ret cover bl
2-122	GCOV-A281CBFA	AV			F-ret cover br
2-142	PSEL-C558CBZZ	AD			Sealer c
2-143	PSEL-C559CBZZ	AD			Sealer d
2-144	PSEL-C560CBZZ	AD			Sealer e
2-145	PSKR-A327CBFA	AU			V-partition lfb
2-146	PSKR-A328CBFA	AU			V-partition rfb
3-45	PPACGA244CBZA	AF			F-sub packing d
4-21	LX-TZA091CBTA	AE			Special screw [SL]
4-21	LX-TZA091CBTC	AE			Special screw [BE]
4-21	LX-TZA091CBTE	AE			Special screw [WH]
5-11	FTNA-A418CBKZ	BE			R-shelf ass'y
5-11-1	UTNA-A396CBRA	AY			R-glass shelf
5-11-2	UWAKPA019CBFA	AM			G guard rb
5-11-3	UWAKPA021CBFA	AT			G guard r
5-11-4	LPLTMA753CBPZ	AP			R shelf support
5-12	FTNA-A417CBKZ	AZ			V-shelf ass'y
5-12-1	UTNA-A395CBRA	AY			V-glass shelf
5-12-2	UWAKPA018CBFA	AL			G guard vb
5-12-3	UWAKPA020CBFA	AT			G guard v
5-14	FYOK-A227CBKZ	AZ			Fruit case assy
5-15	FYOK-A228CBKZ	AZ			Fresh case assy
5-16	FYOK-A229CBKZ	AZ			V-case ass'y
5-17	GFTA-A101CBFA	AN			V-case door
5-18	LSTYPA042CBFA	AT			R-case stay
5-25	LRAL-A092CBFA	AM			Ice room rail
5-42	HGRL-A243CBFB	AS			Base cover [SL]
5-42	HGRL-A243CBFC	AS			Base cover [BE]
5-42	HGRL-A243CBFE	AS			Base cover [WH]

[3] SJF72PC CABINET2



NO.	PARTS CODE	PRICE RANK	NEW MARK	PART RANK	DESCRIPTION
[3] SJF72PC CABINET2					
1-1	RH-HXA066CBZZ	AT			F-thermistor
1-3	RH-HXA065CBZZ	AT			R-thermistor
1-4	DTHM-A031CBKZ	AX			Damper ass'y
1-5	RH-HXA067CBZZ	AT			Def-thermistor
1-6	RMOTRA096CBZZ	BE			F fan motor
1-7	QCNW-B148CBZZ	AK			Lead lamp
1-8	FLMP-A003CBZZ	AM			Lamp ass'y
1-10	QSW-LA015CBZZ	AQ			Reed sw
1-17	FFS-TA087CBKZ	AM			Fuse ass'y
1-21	FHETBA193CBZZ	BA			Defrost heater
1-26	QCNW-B146CBZZ	AK			Lead r-c box
1-27	RMOTRA095CBZZ	BA			R fan motor
1-42	QCNW-B147CBZZ	AF			Lead r-louwer
1-45	FTRN-A014CBKZ	BD			Ionaizer-k
1-52	QCNW-B150CBZZ	AH			Pwb-harness
1-55	FPWB-A438CBKZ	BR			Lcd pwb s ass'y
2-1	HPNL-A441CBTA	AP			Con-panel t
2-2	GDAI-A078CBTA	AU			Control base
2-16	GCOV-A282CBFA	AV			Ev-cover
2-20	PSEL-C573CBZZ	AE			E.v.pe-al sheet
2-21	PFPPB565CBFZ	AE			Ev-cover insu
2-22	PSEL-C569CBZZ	AC			Ev-cover sealer
2-25	PCOV-A335CBFA	AM			R lamp cover l
2-26	PCOV-A336CBFA	AM			R lamp cover r
2-27	GCOVPA198CBFA	AT			R-c box cover
2-28	HGRL-A244CBFA	AX			Fan louwer
2-34	PFIL-A047CBEZ	AC			Deodorizer
2-37	LHLD-A715CBFA	AF			Screw cover
2-38	PGID-A169CBFZ	AG			R air guider a
2-39	PGID-A170CBFZ	AE			R air guider b
2-47	LHLD-A714CBFZ	AR			Plasma holder
2-55	MLOV-A051CBFA	AV			R-louwer
2-56	PFPPB568CBFZ	AH			R-louwer insu
2-57	PFPPB588CBFZ	AE			R-louwer insu s
2-58	PSEL-C566CBZZ	AC			A-sealer r-lv a
2-66	PSHEMA296CBPZ	AC			Heater cover
2-67	LPLTPA428CBPZ	AQ			Heater support
2-72	PSEL-C562CBZZ	AC			A-sealer rc-a
2-74	PSEL-C564CBZZ	AG			A-sealer rc-c
2-95	LANG-A064CBPZ	AF			Eva holder 75
2-97	PCOV-A340CBFA	AF			R con cover s
2-100	GCOVPA199CBFZ	AF			Connect cover
2-120	GCOV-A279CBFA	AM			F return cover
2-125	LPLTMA741CBPZ	AY			Al panel
2-127	LHLD-A405CBFA	AC			Clip
2-131	JBTN-A030CBMA	AH			Button
2-132	JBTN-A033CBMA	AX			Button l
2-133	JBTN-A032CBMA	AH			Button j
2-138	PSEL-C600CBZZ	AD			Ev-cov.sealer b
2-139	PSEL-C601CBZZ	AE			Ev-cov.sealer c
2-140	PSEL-C640CBZZ	AD			Ev-c sealer l
2-141	PSEL-C661CBZZ	AD			Sealer fm
2-147	LHLD-A713CBFA	AE			Lcd-pwb holder
2-148	PSEL-C669CBZZ	AD			A-sealer rc-d
2-149	PSEL-C081CBEZ	AA			A-sealer ag4
2-150	PSHEMA306CBPZ	AQ			Refraction al
6-12	PEVA-A156CBZZ	BE			Evaporator
6-31	PKYU-A035CBE0	AG			Sp-butyl h
90-2	TLAB-A876CBRZ	AC			Warning label

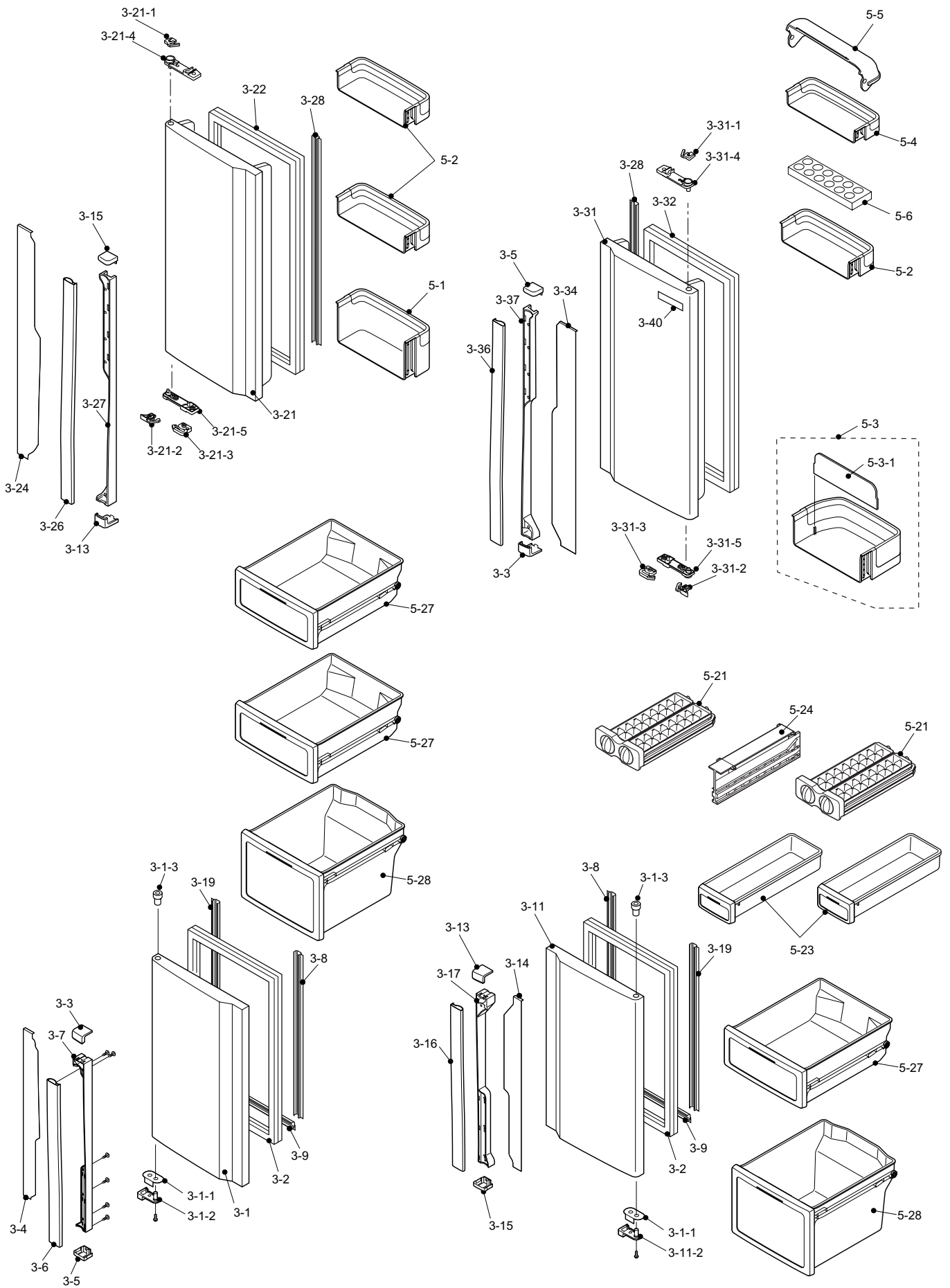
[4] SJF72PC BACK SIDE



NO.	PARTS CODE	PRICE RANK	NEW MARK	PART RANK	DESCRIPTION
[4] SJF72PC BACK SIDE					
1-2	RSTT-A179CBZZ	AR			Ptc relay
1-9	QACC-A173CBZZ	AY			Source cord
1-11	RHOG-A189CBEZ	AZ			Protector
1-22	FCNW-A860CBZZ	AH			Relay wire assy
1-23	QCNW-A916CBZZ	AE			Reray wire sc
1-31	RC-EZA190CBEZ	AW			Running capacitor
1-34	QCNW-A968CBZZ	AC			Earth wire
1-41	RMOTRA097CBZZ	BA			C fan motor
1-50	FPWB-A429CBKZ	BU			Pwb-s ass'y
2-24	GCOVPA200CBFB	AR			Terminal cover
2-51	LHLD-A711CBFA	AQ			Pwb holder

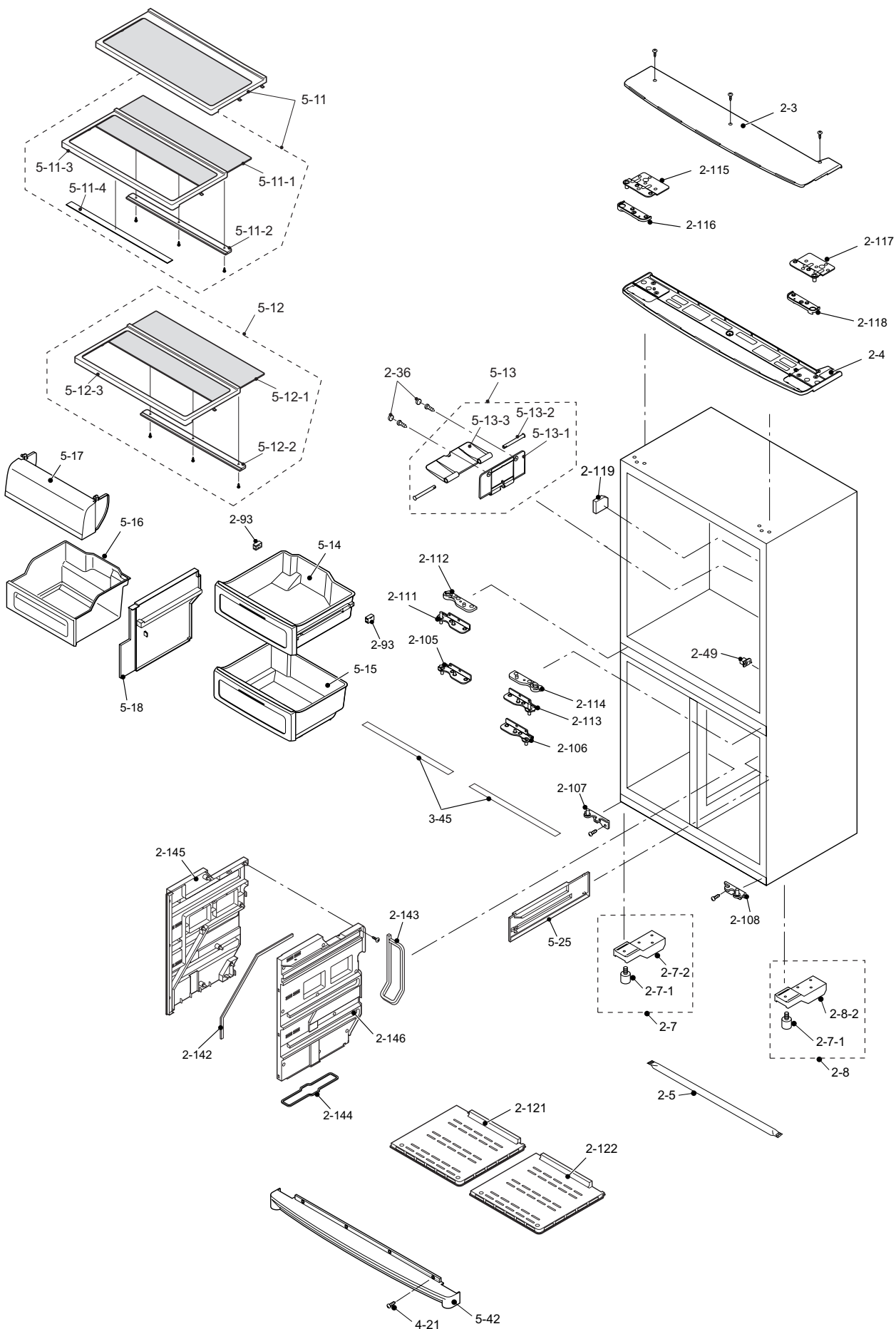
NO.	PARTS CODE	PRICE RANK	NEW MARK	PART RANK	DESCRIPTION
[4] SJF72PC BACK SIDE					
2-77	LHLD-A359CBFA	AE			T-box holder
2-78	LPLTMA399CBP0	AD			Dryer support
2-80	PBOX-A148CBFA	AE			Terminal box
2-87	LBND-A018CBE0	AP			Fastening band a
2-99	PPIPPA126CBFZ	AF			Drain pipe s
2-123	GCOV-A283CBPZ	AH			Comp.cover
2-126	LHLD-A710CBFZ	AH			Cfm frame
2-136	LPLTMA553CBP0	AM			Ev.pan support
2-151	PSEL-C555CBZZ	AD			U-sealer rd
2-152	PSEL-C571CBZZ	AC			Sealer
2-153	PSEL-C662CBZZ	AD			Sealer fm-b
2-154	PCILFA011CBZZ	AC			Emi core esd-r-38
4-1	LBND-A023CBE0	AC			L-band c
4-4	QTAN-A012CBE0	AH			Solderless term. b
4-10	QTAN-A013CBE0	AH			Solderless term. a
4-15	LX-BZA090CBZZ	AC			Special screw
4-17	LX-WZA035CBZZ	AB			Washer
5-41	USRA-A297CBFA	AP			Drain pan
6-1	PCMPLA262CBZZ	CA			Compressor
6-2	PSPAGA054CBEZ	AH			Rubber grommet
6-3	FCONSA101CBZZ	BB			Sub condenser
6-4	FFRM-A145CBKZ	AM			Base frame assy
6-5	FDRY-A006CBK0	AX			Dryer ass'y
6-7	LPLTPA418CBFA	AF			S-con support l
6-8	LPLTPA419CBFA	AF			S-con support r
6-9	PSPAFA047CBEZ	AE			Sleeve
6-10	PPIPCA533CBZZ	AW			Dcp connector
6-11	PPIPCA534CBZZ	AW			Sp-connector
6-17	PPIPCA252CBE0	AD			Charge pipe
6-18	PPIPCA518CBZZ	AE			Chrg pipe hc l
6-30	PKYU-A098CBE0	AG			Compressor butyl
6-32	PGUM-A026CBFZ	AV			Comp. spacer-3
6-40	LHLD-A465CBE0	AG			Cord clip
[5] SJF72PC OTHERS					
90-1	TINS-A711CBRZ	AP			Op-manual
90-3	SPAKCA225CBZZ	BE			Packing case 70
90-6	CPADBA076CBKZ	AU			Bottom pad ass'y
90-7	CPADBA077CBKZ	AU			Top pad ass'y
90-8	TINSEA044CBRZ	AG			Set label
90-12	TLAB-B359CBRZ	AG			Country origin label
90-13	TLAB-A637CBR0	AG			Energy label (GB)
90-13	TLAB-A638CBR0	AG			Energy label (D)
90-13	TLAB-A639CBR0	AG			Energy label (F)
90-13	TLAB-A640CBR0	AG			Energy label (E)
90-13	TLAB-A641CBR0	AG			Energy label (I)
90-13	TLAB-A642CBR0	AG			Energy label (GR)
90-13	TLAB-A643CBR0	AG			Energy label (P)
90-13	TLAB-A644CBR0	AG			Energy label (NL)
90-21	TLAB-A939CBRZ	AD			Caution label rof
90-33	TLAB-B220CBRZ	AE			Temp.caution label

[6] SJF73PE DOOR



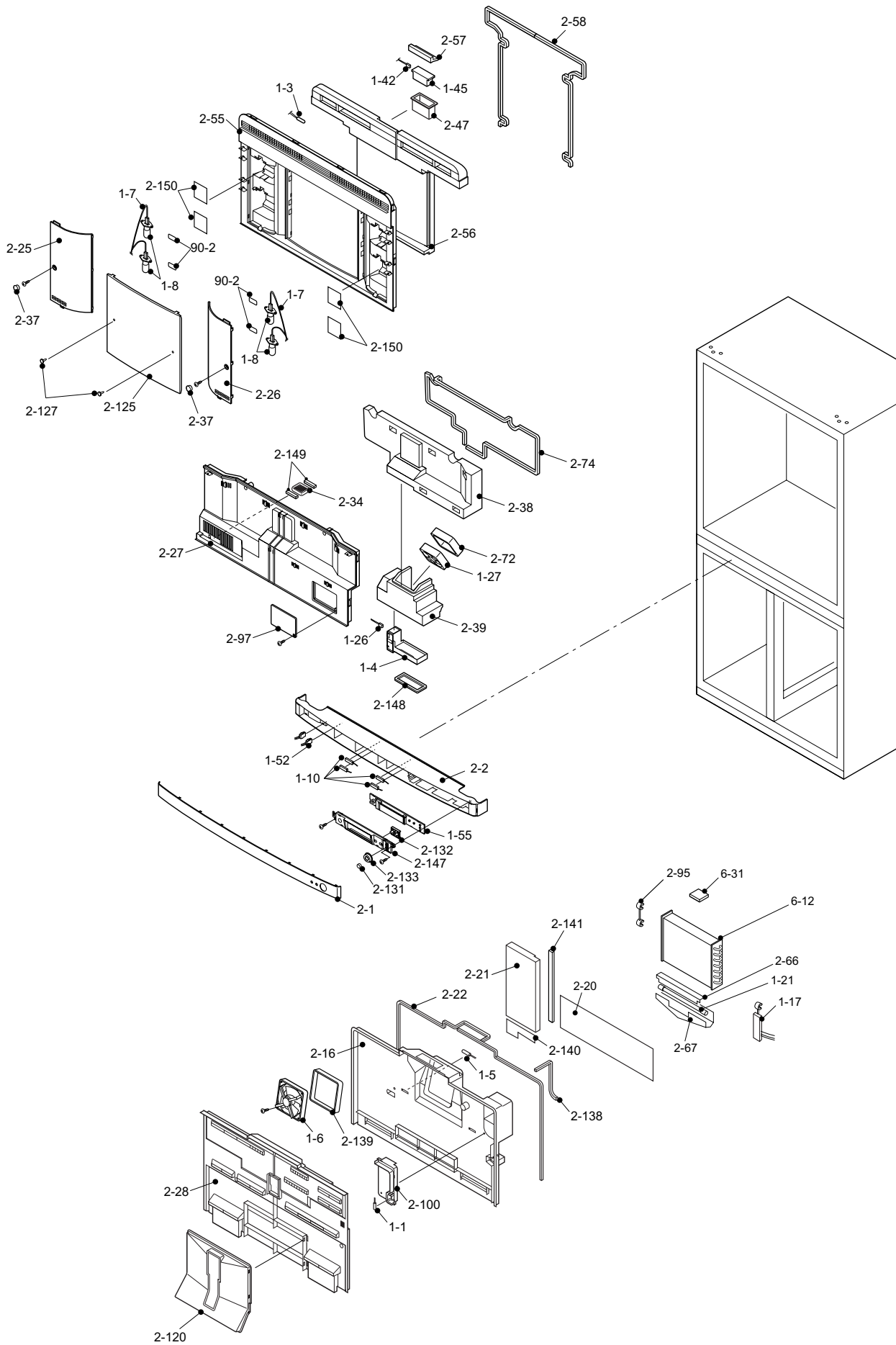
NO.	PARTS CODE	PRICE RANK	NEW MARK	PART RANK	DESCRIPTION
[6] SJF73PE DOOR					
3-1	FDORFB904CBKZ	BQ			F-door l ass'y [SL]
3-1	FDORFB906CBKZ	BQ			F-door l ass'y [BE]
3-1	FDORFB908CBKZ	BQ			F-door l ass'y [WH]
3-1-1	LSTPMA008CBM0	AD			F-door stopper r
3-1-2	LSTPPA146CBFA	AF			Fd-stp spring l
3-1-3	NBRGPA022CBFA	AC			Nylon bearing 3s
3-2	FPACGA431CBYA	AT			F door packing
3-3	HDECQA499CBTA	AK			Hd-cap rbr
3-4	HDECQA500CBRB	AN			Fd-trim l
3-5	HDECQA505CBTA	AK			Hd-cap rtr
3-6	JHNDPA214CBPA	AG			Fd-handle l
3-7	LPLTPA400CBFA	AT			Hd-base fl [SL]
3-7	LPLTPA400CBFB	AU			Hd-base fl [BE]
3-7	LPLTPA400CBFC	AU			Hd-base fl [WH]
3-8	PPACGA226CBZA	AM			F-sub packing a
3-9	PPACGA227CBZA	AK			F-sub packing b
3-11	FDORFB905CBKZ	BQ			F-door r ass'y [SL]
3-11	FDORFB907CBKZ	BQ			F-door r ass'y [BE]
3-11	FDORFB909CBKZ	BQ			F-door r ass'y [WH]
3-11-2	LSTPPA147CBFA	AF			Fd-stp spring r
3-13	HDECQA501CBTA	AK			Hd-cap rbl
3-14	HDECQA502CBRB	AN			Fd-trim r
3-15	HDECQA503CBTA	AK			Hd-cap rtl
3-16	JHNDPA215CBPA	AG			Fd-handle r
3-17	LPLTPA401CBFA	AV			Hd-base fr [SL]
3-17	LPLTPA401CBFB	AU			Hd-base fr [BE]
3-17	LPLTPA401CBFC	AU			Hd-base fr [WH]
3-19	PPACGA241CBZA	AK			F-sub packing c
3-21	FDORRB737CBKZ	BR			R-door l ass'y [SL]
3-21	FDORRB743CBKZ	BR			R-door l ass'y [BE]
3-21	FDORRB744CBKZ	BR			R-door l ass'y [WH]
3-21-1	LSTPPA150CBFA	AF			Stp-spring tl
3-21-2	LSTPPA151CBFA	AF			Stp-spring bl
3-21-3	LSTPPA152CBFA	AF			R lock spring l
3-21-4	MSLI-A070CBFA	AE			Door cam tl
3-21-5	MSLI-A071CBFA	AE			Door cam bl
3-22	FPACGA433CBYZ	AW			R door packin l
3-24	HDECQA507CBRB	AQ			Rd-trim l
3-26	JHNDPA218CBPA	AK			Rd-handle l
3-27	LPLTPA406CBFA	AV			Hd-base rl [SL]
3-27	LPLTPA406CBFB	AV			Hd-base rl [BE]
3-27	LPLTPA406CBFE	AV			Hd-base rl [WH]
3-28	PPACGA234CBZZ	AM			R-sub packing
3-31	FDORRB738CBKZ	BR			R-door r ass'y [SL]
3-31	FDORRB745CBKZ	BR			R-door r ass'y [BE]
3-31	FDORRB746CBKZ	BR			R-door r ass'y [WH]
3-31-1	LSTPPA148CBFA	AF			Stp-spring tr
3-31-2	LSTPPA149CBFA	AF			Stp-spring br
3-31-3	LSTPPA153CBFA	AF			R lock spring r
3-31-4	MSLI-A068CBFA	AE			Door cam tr
3-31-5	MSLI-A069CBFA	AE			Door cam br
3-32	FPACGA443CBYZ	AX			R door packin r
3-34	HDECQA508CBRB	AQ			Rd-trim r
3-36	JHNDPA219CBPA	AK			Rd-handle r
3-37	LPLTPA407CBFA	AV			Hd-base rr [SL]
3-37	LPLTPA407CBFB	AV			Hd-base rr [BE]
3-37	LPLTPA407CBFC	AV			Hd-base rr [WH]
3-40	HBDGDB006CBZA	AZ			Badge
5-1	FPOK-A242CBKZ	AX			Btl-pok l ass'y
5-2	FPOK-A243CBKZ	AV			Door pocket ass'y
5-3	FPOK-A244CBKZ	AZ			Btl-pok r ass'y
5-3-1	LSTYPA044CBFA	AL			B-pok partition
5-4	FPOK-A245CBKZ	AT			Utility pok ass'y
5-5	GDORPA078CBFA	AN			U-pok door
5-6	UTNA-A397CBFA	AH			Egg tray
5-21	FSRA-A244CBYZ	AP			Ice cube maker
5-23	FYOK-A232CBKZ	AV			Ice storage assy
5-24	LSTYPA043CBFA	AW			I-case stay
5-27	FYOK-A231CBKZ	BC			F-case s ass'y
5-28	FYOK-A230CBKZ	BE			F-case l ass'y

[7] SJF73PE CABINET1



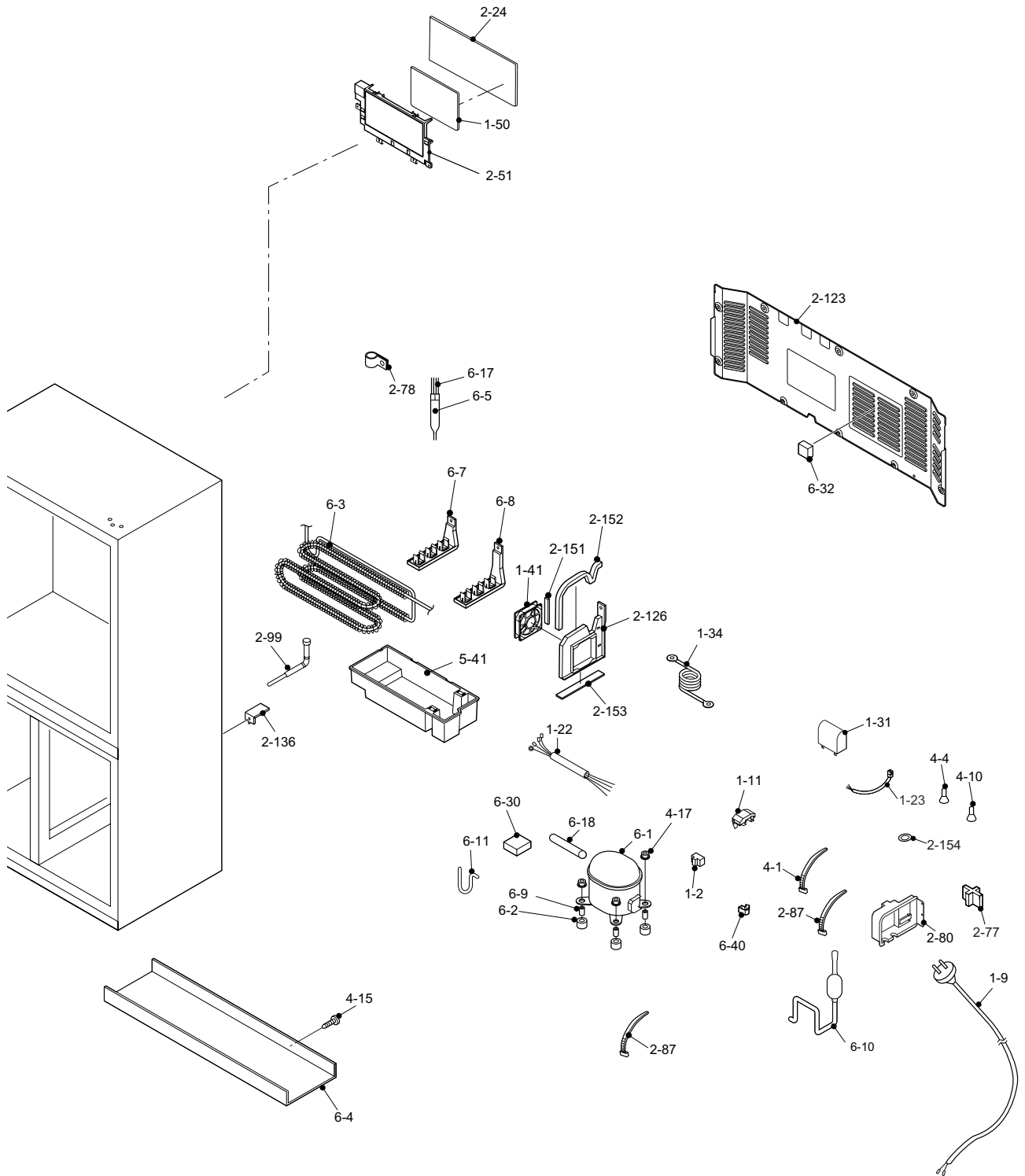
NO.	PARTS CODE	PRICE RANK	NEW MARK	PART RANK	DESCRIPTION
[7] SJF73PE CABINET1					
2-3	PCOVPA398CBFB	AQ			Hinge cover [SL]
2-3	PCOVPA398CBFC	AQ			Hinge cover [BE]
2-3	PCOVPA398CBFE	AQ			Hinge cover [WH]
2-4	LPLTPA399CBFB	AX			Hinge support [BE]
2-4	LPLTPA399CBFC	AX			Hinge support [WH]
2-4	LPLTPA416CBTA	AX			Hinge support-t [SL]
2-5	JHNDMA025CBPZ	AE			Carrying bar
2-7	FLEGPA127CBKZ	AN			Leg holder-ls k
2-7-1	FAJS-A028CBKZ	AZ			Adjustable leg ass'y
2-7-2	FLEGPA123CBYZ	AH			Leg holder-lk
2-8	FLEGPA128CBKZ	AN			Leg holder-rs k
2-8-2	FLEGPA124CBYZ	AH			Leg holder-rk
2-36	PCAP-A006CBFW	AB			Screw cover
2-49	LSTPPA108CBFA	AC			Chilled stopper
2-93	PCAP-A068CBFA	AC			C sliding cap a
2-105	DHNG-A537CBMZ	BA			F-hinge lt assy
2-106	DHNG-A538CBMZ	BA			F-hinge rt assy
2-107	DHNG-A539CBMZ	BA			F-hinge lb assy
2-108	DHNG-A540CBMZ	BA			F-hinge rb assy
2-111	FHNG-A231CBMZ	AH			R-hinge lbk
2-112	MSLI-A072CBFA	AE			Hinge cam bl
2-113	FHNG-A232CBMZ	AH			R-hinge rbk
2-114	MSLI-A073CBFA	AE			Hinge cam br
2-115	FHNG-A233CBYZ	AH			R-hinge ltk
2-116	MSLI-A074CBFA	AE			Hinge cam tl
2-117	FHNG-A234CBYZ	AH			R-hinge rtk
2-118	MSLI-A075CBFA	AE			Hinge cam tr
2-119	FPLTPA107CBKZ	AM			Temp.meter ass'y
2-121	GCOV-A280CBFA	AV			F-ret cover bl
2-122	GCOV-A281CBFA	AV			F-ret cover br
2-142	PSEL-C558CBZZ	AD			Sealer c
2-143	PSEL-C559CBZZ	AD			Sealer d
2-144	PSEL-C560CBZZ	AD			Sealer e
2-145	PSKR-A327CBFA	AU			V-partition lfb
2-146	PSKR-A328CBFA	AU			V-partition rfb
3-45	PPACGA244CBZA	AF			F-sub packing d
4-21	LX-TZA091CBTA	AE			Special screw [SL]
4-21	LX-TZA091CBTC	AE			Special screw [BE]
4-21	LX-TZA091CBTE	AE			Special screw [WH]
5-11	FTNA-A418CBKZ	BE			R-shelf ass'y
5-11-1	UTNA-A396CBRA	AY			R-glass shelf
5-11-2	UWAKPA019CBFA	AM			G guard rb
5-11-3	UWAKPA021CBFA	AT			G guard r
5-11-4	LPLTMA753CBPZ	AP			R shelf support
5-12	FTNA-A417CBKZ	AZ			V-shelf ass'y
5-12-1	UTNA-A395CBRA	AY			V-glass shelf
5-12-2	UWAKPA018CBFA	AL			G guard vb
5-12-3	UWAKPA020CBFA	AT			G guard v
5-13	FTNA-A419CBKZ	AR			Bttl rack ass'y
5-13-1	LHLD-A712CBFA	AK			B-r holder
5-13-2	NSFT-A041CBFA	AE			B-r shaft
5-13-3	UTNA-A398CBFA	AK			Bottle rack
5-14	FYOK-A227CBKZ	AZ			Fruit case assy
5-15	FYOK-A228CBKZ	AZ			Fresh case assy
5-16	FYOK-A229CBKZ	AZ			V-case ass'y
5-17	GFTA-A101CBFA	AN			V-case door
5-18	LSTYPA042CBFA	AT			R-case stay
5-25	LRAL-A092CBFA	AM			Ice room rail
5-42	HGRL-A243CBFB	AS			Base cover [SL]
5-42	HGRL-A243CBFC	AS			Base cover [BE]
5-42	HGRL-A243CBFE	AS			Base cover [WH]

[8] SJF73PE CABINET2



NO.	PARTS CODE	PRICE RANK	NEW MARK	PART RANK	DESCRIPTION
[8] SJF73PE CABINET2					
1-1	RH-HXA066CBZZ	AT			F-thermistor
1-3	RH-HXA065CBZZ	AT			R-thermistor
1-4	DTHM-A031CBKZ	AX			Damper ass'y
1-5	RH-HXA067CBZZ	AT			Def-thermistor
1-6	RMOTRA096CBZZ	BE			F fan motor
1-7	QCNW-B148CBZZ	AK			Lead lamp
1-8	FLMP-A003CBZZ	AM			Lamp ass'y
1-10	QSW-LA015CBZZ	AQ			Reed sw
1-17	FFS-TA087CBKZ	AM			Fuse ass'y
1-21	FHETBA193CBZZ	BA			Defrost heater
1-26	QCNW-B146CBZZ	AK			Lead r-c box
1-27	RMOTRA095CBZZ	BA			R fan motor
1-42	QCNW-B147CBZZ	AF			Lead r-louwer
1-45	FTRN-A014CBKZ	BD			Ionaizer-k
1-52	QCNW-B150CBZZ	AH			Pwb-harness
1-55	FPWB-A424CBKZ	BP			Lcd pwb s ass'y
2-1	HPNL-A440CBTA	AQ			Con-panel t
2-2	GDAI-A078CBTA	AU			Control base
2-16	GCOV-A282CBFA	AV			Ev-cover
2-20	PSEL-C573CBZZ	AE			E.v.pe-al sheet
2-21	PFPPB565CBFZ	AE			Ev-cover insu
2-22	PSEL-C569CBZZ	AC			Ev-cover sealer
2-25	PCOV-A335CBFA	AM			R lamp cover l
2-26	PCOV-A336CBFA	AM			R lamp cover r
2-27	GCOVPA198CBFA	AT			R-c box cover
2-28	HGRL-A244CBFA	AX			Fan louwer
2-34	PFIL-A047CBEZ	AC			Deodorizer
2-37	LHLD-A715CBFA	AF			Screw cover
2-38	PGID-A169CBFZ	AG			R air guider a
2-39	PGID-A170CBFZ	AE			R air guider b
2-47	LHLD-A714CBFZ	AR			Plasma holder
2-55	MLOV-A051CBFA	AV			R-louwer
2-56	PFPPB568CBFZ	AH			R-louwer insu
2-57	PFPPB588CBFZ	AE			R-louwer insu s
2-58	PSEL-C566CBZZ	AC			A-sealer r-lv a
2-66	PSHEMA296CBPZ	AC			Heater cover
2-67	LPLTPA428CBPZ	AQ			Heater support
2-72	PSEL-C562CBZZ	AC			A-sealer rc-a
2-74	PSEL-C564CBZZ	AG			A-sealer rc-c
2-95	LANG-A064CBPZ	AF			Eva holder 75
2-97	PCOV-A340CBFA	AF			R con cover s
2-100	GCOVPA199CBFZ	AF			Connect cover
2-120	GCOV-A279CBFA	AM			F return cover
2-125	LPLTMA741CBPZ	AY			Al panel
2-127	LHLD-A405CBFA	AC			Clip
2-131	JBTN-A030CBMA	AH			Button
2-132	JBTN-A031CBMA	AK			Button l
2-133	JBTN-A032CBMA	AH			Button j
2-138	PSEL-C600CBZZ	AD			Ev-cov.sealer b
2-139	PSEL-C601CBZZ	AE			Ev-cov.sealer c
2-140	PSEL-C640CBZZ	AD			Ev-c sealer l
2-141	PSEL-C661CBZZ	AD			Sealer fm
2-147	LHLD-A713CBFA	AE			Lcd-pwb holder
2-148	PSEL-C669CBZZ	AD			A-sealer rc-d
2-149	PSEL-C081CBEZ	AA			A-sealer ag4
2-150	PSHEMA306CBPZ	AQ			Refraction al
6-12	PEVA-A156CBZZ	BE			Evaporator
6-31	PKYU-A035CBE0	AG			Sp-butyl h
90-2	TLAB-A876CBRZ	AC			Warning label

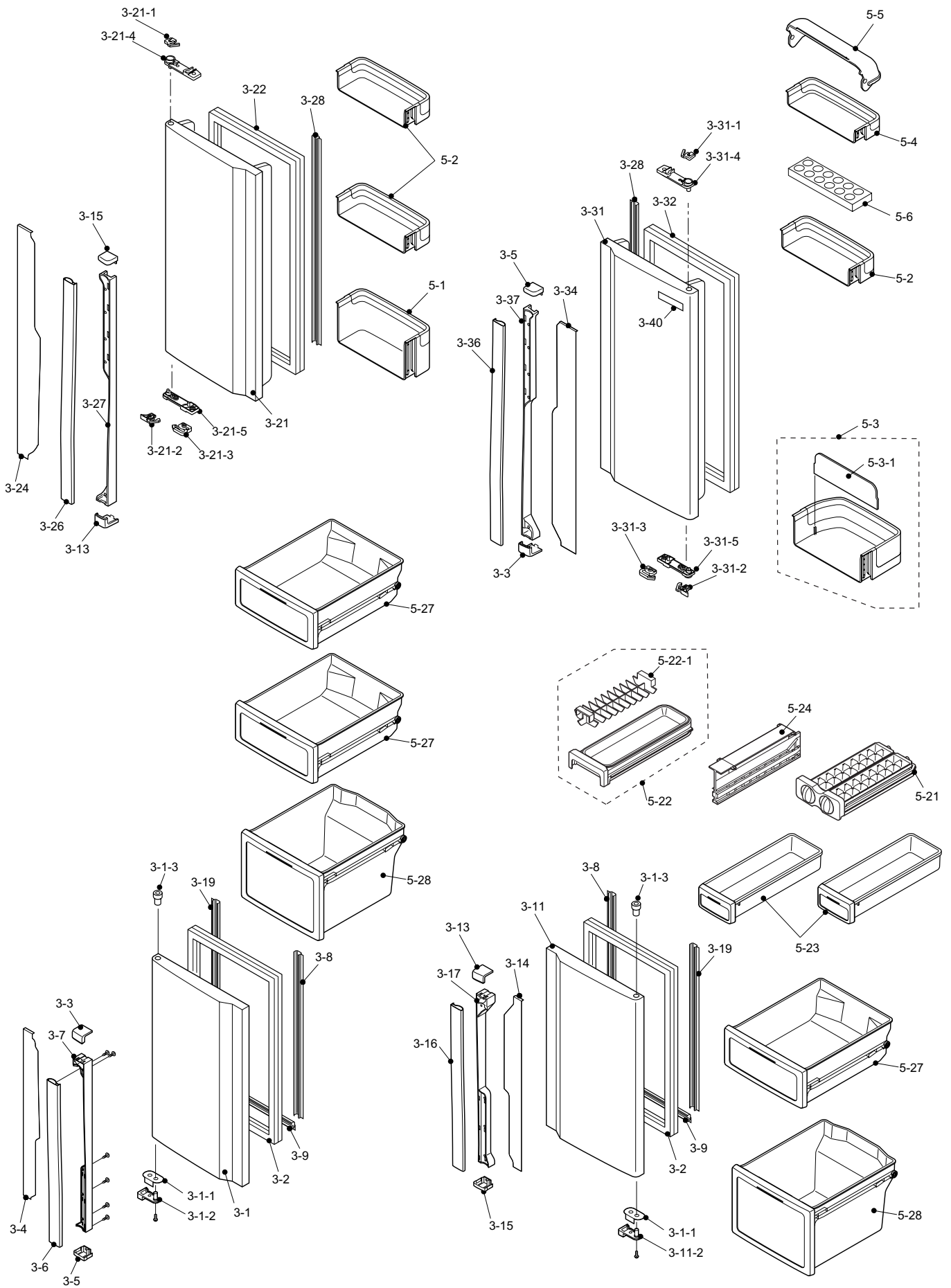
[9] SJF73PE BACK SIDE



NO.	PARTS CODE	PRICE RANK	NEW MARK	PART RANK	DESCRIPTION
[9] SJF73PE BACK SIDE					
1-2	RSTT-A179CBZZ	AR			Ptc relay
1-9	QACC-A173CBZZ	AY			Source cord
1-11	RHOG-A189CBEZ	AZ			Protector
1-22	FCNW-A860CBZZ	AH			Relay wire assy
1-23	QCNW-A916CBZZ	AE			Reray wire sc
1-31	RC-EZA190CBEZ	AW			Running capacitor
1-34	QCNW-A968CBZZ	AC			Earth wire
1-41	RMOTRA097CBZZ	BA			C fan motor
1-50	FPWB-A429CBKZ	BU			Pwb-s ass'y
2-24	GCOVPA200CBFB	AR			Terminal cover
2-51	LHLD-A711CBFA	AQ			Pwb holder

NO.	PARTS CODE	PRICE RANK	NEW MARK	PART RANK	DESCRIPTION
[9] SJF73PE BACK SIDE					
2-77	LHLD-A359CBFA	AE			T-box holder
2-78	LPLTMA399CBP0	AD			Dryer support
2-80	PBOX-A148CBFA	AE			Terminal box
2-87	LBND-A018CBE0	AP			Fastening band a
2-99	PPIPPA126CBFZ	AF			Drain pipe s
2-123	GCOV-A283CBPZ	AH			Comp.cover
2-126	LHLD-A710CBFZ	AH			Cfm frame
2-136	LPLTMA553CBP0	AM			Ev.pan support
2-151	PSEL-C555CBZZ	AD			U-sealer rd
2-152	PSEL-C571CBZZ	AC			Sealer
2-153	PSEL-C662CBZZ	AD			Sealer fm-b
2-154	PCILFA011CBZZ	AC			Emi core esd-r-38
4-1	LBND-A023CBE0	AC			L-band c
4-4	QTAN-A012CBE0	AH			Solderless term. b
4-10	QTAN-A013CBE0	AH			Solderless term. a
4-15	LX-BZA090CBZZ	AC			Special screw
4-17	LX-WZA035CBZZ	AB			Washer
5-41	USRA-A297CBFA	AP			Drain pan
6-1	PCMPLA262CBZZ	CA			Compressor
6-2	PSPAGA054CBEZ	AH			Rubber grommet
6-3	FCONSA101CBZZ	BB			Sub condenser
6-4	FFRM-A145CBKZ	AM			Base frame assy
6-5	FDRY-A006CBK0	AX			Dryer ass'y
6-7	LPLTPA418CBFA	AF			S-con support l
6-8	LPLTPA419CBFA	AF			S-con support r
6-9	PSPAFA047CBEZ	AE			Sleeve
6-10	PPIPCA533CBZZ	AW			Dcp connector
6-11	PPIPCA534CBZZ	AW			Sp-connector
6-17	PPIPCA252CBE0	AD			Charge pipe
6-18	PPIPCA518CBZZ	AE			Chrg pipe hc l
6-30	PKYU-A098CBE0	AG			Compressor butyl
6-32	PGUM-A026CBFZ	AV			Comp. spacer-3
6-40	LHLD-A465CBE0	AG			Cord clip
[10] SJF73PE OTHERS					
90-1	TINS-A711CBRZ	AP			Op-manual
90-3	SPAKCA225CBZZ	BE			Packing case 70
90-6	CPADBA076CBKZ	AU			Bottom pad ass'y
90-7	CPADBA077CBKZ	AU			Top pad ass'y
90-8	TINSEA044CBRZ	AG			Set label
90-12	TLAB-B359CBRZ	AG			Country origin label
90-13	TLAB-A637CBR0	AG			Energy label (GB)
90-13	TLAB-A638CBR0	AG			Energy label (D)
90-13	TLAB-A639CBR0	AG			Energy label (F)
90-13	TLAB-A640CBR0	AG			Energy label (E)
90-13	TLAB-A641CBR0	AG			Energy label (I)
90-13	TLAB-A642CBR0	AG			Energy label (GR)
90-13	TLAB-A643CBR0	AG			Energy label (P)
90-13	TLAB-A644CBR0	AG			Energy label (NL)
90-21	TLAB-A939CBRZ	AD			Caution label rof
90-33	TLAB-B220CBRZ	AE			Temp.caution label

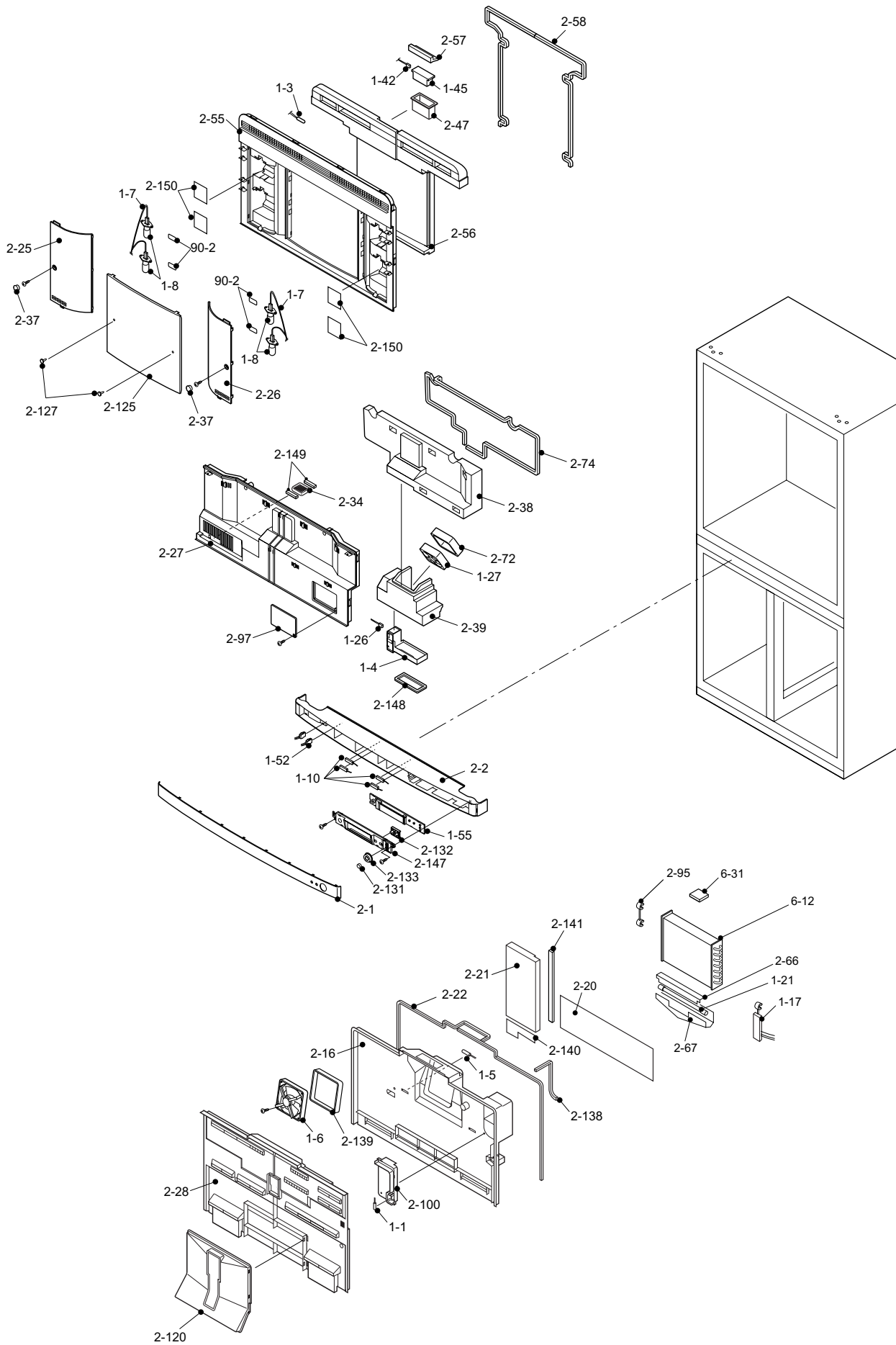
[11] SJF74PS DOOR



NO.	PARTS CODE	PRICE RANK	NEW MARK	PART RANK	DESCRIPTION
[11] SJF74PS DOOR					
3-1	FDORFB888CBKZ	BV			F-door l ass'y
3-1-1	LSTPMA008CBM0	AD			F-door stopper r
3-1-2	LSTPPA146CBFA	AF			Fd-stp spring l
3-1-3	NBRGPA022CBFA	AC			Nylon bearing 3s
3-2	FPACGA431CBYA	AT			F door packing
3-3	HDECQA499CBTA	AK			Hd-cap rbr
3-4	HDECQA500CBBR	AN			Fd-trim l
3-5	HDECQA505CBTA	AK			Hd-cap rtr
3-6	JHNDPA214CBPA	AG			Fd-handle l
3-7	LPLTPA400CBFE	AU			Hd-base fl
3-8	PPACGA226CBZA	AM			F-sub packing a
3-9	PPACGA227CBZA	AK			F-sub packing b
3-11	FDORFB889CBKZ	BV			F-door r ass'y
3-11-2	LSTPPA147CBFA	AF			Fd-stp spring r
3-13	HDECQA501CBTA	AK			Hd-cap rbl
3-14	HDECQA502CBBR	AN			Fd-trim r
3-15	HDECQA503CBTA	AK			Hd-cap rtl
3-16	JHNDPA215CBPA	AG			Fd-handle r
3-17	LPLTPA401CBFE	AU			Hd-base fr
3-19	PPACGA241CBZA	AK			F-sub packing c
3-21	FDORRB714CBKZ	BZ			R-door l ass'y
3-21-1	LSTPPA150CBFA	AF			Stp-spring tl
3-21-2	LSTPPA151CBFA	AF			Stp-spring bl
3-21-3	LSTPPA152CBFA	AF			R lock spring l
3-21-4	MSLI-A070CBFA	AE			Door cam tl
3-21-5	MSLI-A071CBFA	AE			Door cam bl
3-22	FPACGA433CBYZ	AW			R door packin l
3-24	HDECQA507CBBR	AQ			Rd-trim l
3-26	JHNDPA218CBPA	AK			Rd-handle l
3-27	LPLTPA406CBFE	AV			Hd-base rl
3-28	PPACGA234CBZZ	AM			R-sub packing
3-31	FDORRB715CBKZ	BZ			R-door r ass'y
3-31-1	LSTPPA148CBFA	AF			Stp-spring tr
3-31-2	LSTPPA149CBFA	AF			Stp-spring br
3-31-3	LSTPPA153CBFA	AF			R lock spring r
3-31-4	MSLI-A068CBFA	AE			Door cam tr
3-31-5	MSLI-A069CBFA	AE			Door cam br
3-32	FPACGA443CBYZ	AX			R door packin r
3-34	HDECQA508CBBR	AQ			Rd-trim r
3-36	JHNDPA219CBPA	AK			Rd-handle r
3-37	LPLTPA407CBFE	AV			Hd-base rr
3-40	HBDGDB006CBZA	AZ			Badge
5-1	FPOK-A242CBKZ	AX			Btl-pok l ass'y
5-2	FPOK-A243CBKZ	AV			Door pocket ass'y
5-3	FPOK-A244CBKZ	AZ			Btl-pok r ass'y
5-3-1	LSTYPA044CBFA	AL			B-pok partition
5-4	FPOK-A245CBKZ	AT			Utility pok ass'y
5-5	GDORPA078CBFA	AN			U-pok door
5-6	UTNA-A397CBFA	AH			Egg tray
5-21	FSRA-A244CBYZ	AP			Ice cube maker
5-22	FSRA-A245CBKZ	BM			Quick ice maker
5-22-1	PSKR-A329CBFA	AK			Q-ice parition
5-23	FYOK-A232CBKZ	AV			Ice storage assy
5-24	LSTYPA043CBFA	AW			I-case stay
5-27	FYOK-A231CBKZ	BC			F-case s ass'y
5-28	FYOK-A230CBKZ	BE			F-case l ass'y

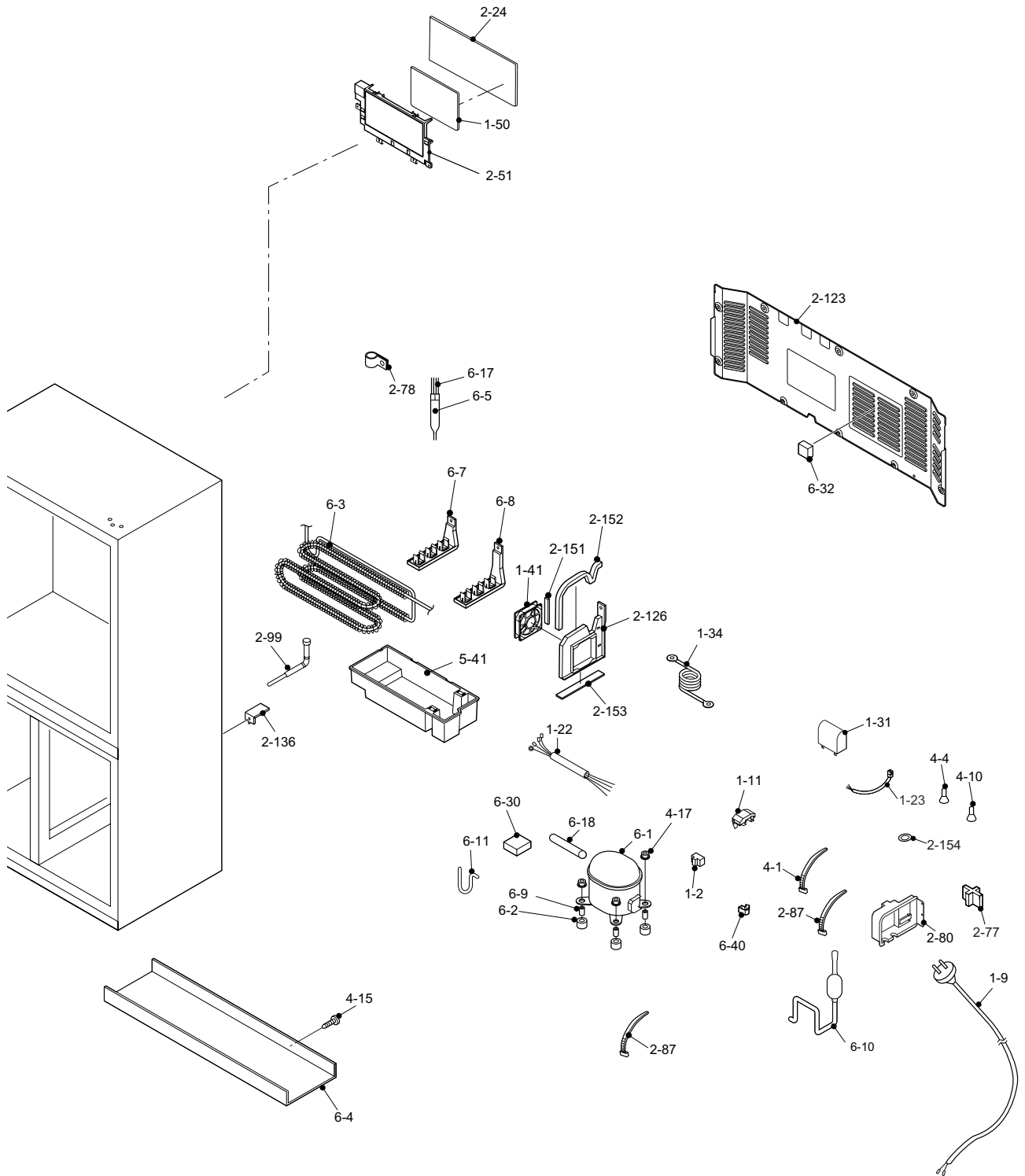
NO.	PARTS CODE	PRICE RANK	NEW MARK	PART RANK	DESCRIPTION
[12] SJF74PS CABINET1					
2-3	PCOVPA398CBFA	AR			Hinge cover
2-4	LPLTPA416CBTA	AX			Hinge support-t
2-5	JHNDMA025CBPZ	AE			Carrying bar
2-7	FLEGPA127CBKZ	AN			Leg holder-ls k
2-7-1	FAJS-A028CBKZ	AZ			Adjustable leg ass'y
2-7-2	FLEGPA123CBYZ	AH			Leg holder-lk
2-8	FLEGPA128CBKZ	AN			Leg holder-rs k
2-8-2	FLEGPA124CBYZ	AH			Leg holder-rk
2-36	PCAP-A006CBFW	AB			Screw cover
2-49	LSTPPA108CBFA	AC			Chilled stopper
2-93	PCAP-A068CBFA	AC			C sliding cap a
2-105	DHNG-A537CBMZ	BA			F-hinge lt assy
2-106	DHNG-A538CBMZ	BA			F-hinge rt assy
2-107	DHNG-A539CBMZ	BA			F-hinge lb assy
2-108	DHNG-A540CBMZ	BA			F-hinge rb assy
2-111	FHNG-A231CBMZ	AH			R-hinge lbk
2-112	MSLI-A072CBFA	AE			Hinge cam bl
2-113	FHNG-A232CBMZ	AH			R-hinge rbk
2-114	MSLI-A073CBFA	AE			Hinge cam br
2-115	FHNG-A233CBYZ	AH			R-hinge ltk
2-116	MSLI-A074CBFA	AE			Hinge cam tl
2-117	FHNG-A234CBYZ	AH			R-hinge rtk
2-118	MSLI-A075CBFA	AE			Hinge cam tr
2-119	FPLTPA107CBKZ	AM			Temp.meter ass'y
2-121	GCOV-A280CBFA	AV			F-ret cover bl
2-122	GCOV-A281CBFA	AV			F-ret cover br
2-142	PSEL-C558CBZZ	AD			Sealer c
2-143	PSEL-C559CBZZ	AD			Sealer d
2-144	PSEL-C560CBZZ	AD			Sealer e
2-145	PSKR-A327CBFA	AU			V-partition lfb
2-146	PSKR-A328CBFA	AU			V-partition rfb
3-45	PPACGA244CBZA	AF			F-sub packing d
4-21	LX-TZA091CBTA	AE			Special screw
5-11	FTNA-A418CBKZ	BE			R-shelf ass'y
5-11-1	UTNA-A396CBRA	AY			R-glass shelf
5-11-2	UWAKPA019CBFA	AM			G guard rb
5-11-3	UWAKPA021CBFA	AT			G guard r
5-11-4	LPLTMA753CBPZ	AP			R shelf support
5-12	FTNA-A417CBKZ	AZ			V-shelf ass'y
5-12-1	UTNA-A395CBRA	AY			V-glass shelf
5-12-2	UWAKPA018CBFA	AL			G guard vb
5-12-3	UWAKPA020CBFA	AT			G guard v
5-13	FTNA-A419CBKZ	AR			Bttl rack ass'y
5-13-1	LHLD-A712CBFA	AK			B-r holder
5-13-2	NSFT-A041CBFA	AE			B-r shaft
5-13-3	UTNA-A398CBFA	AK			Bottle rack
5-14	FYOK-A227CBKZ	AZ			Fruit case assy
5-15	FYOK-A228CBKZ	AZ			Fresh case assy
5-16	FYOK-A229CBKZ	AZ			V-case ass'y
5-17	GFTA-A101CBFA	AN			V-case door
5-18	LSTYPA042CBFA	AT			R-case stay
5-25	LRAL-A092CBFA	AM			Ice room rail
5-42	HGRL-A243CBFA	AS			Base cover

[13] SJF74PS CABINET2



NO.	PARTS CODE	PRICE RANK	NEW MARK	PART RANK	DESCRIPTION
[13] SJF74PS CABINET2					
1-1	RH-HXA066CBZZ	AT			F-thermistor
1-3	RH-HXA065CBZZ	AT			R-thermistor
1-4	DTHM-A031CBKZ	AX			Damper ass'y
1-5	RH-HXA067CBZZ	AT			Def-thermistor
1-6	RMOTRA096CBZZ	BE			F fan motor
1-7	QCNW-B148CBZZ	AK			Lead lamp
1-8	FLMP-A003CBZZ	AM			Lamp ass'y
1-10	QSW-LA015CBZZ	AQ			Reed sw
1-17	FFS-TA087CBKZ	AM			Fuse ass'y
1-21	FHETBA193CBZZ	BA			Defrost heater
1-26	QCNW-B146CBZZ	AK			Lead r-c box
1-27	RMOTRA095CBZZ	BA			R fan motor
1-42	QCNW-B147CBZZ	AF			Lead r-louwer
1-45	FTRN-A014CBKZ	BD			Ionaizer-k
1-52	QCNW-B150CBZZ	AH			Pwb-harness
1-55	FPWB-A424CBKZ	BP			Lcd pwb s ass'y
2-1	HPNL-A440CBTA	AQ			Con-panel t
2-2	GDAI-A078CBTA	AU			Control base
2-16	GCOV-A282CBFA	AV			Ev-cover
2-20	PSEL-C573CBZZ	AE			E.v.pe-al sheet
2-21	PFPPB565CBFZ	AE			Ev-cover insu
2-22	PSEL-C569CBZZ	AC			Ev-cover sealer
2-25	PCOV-A335CBFA	AM			R lamp cover l
2-26	PCOV-A336CBFA	AM			R lamp cover r
2-27	GCOVPA198CBFA	AT			R-c box cover
2-28	HGRL-A244CBFA	AX			Fan louwer
2-34	PFIL-A047CBEZ	AC			Deodorizer
2-37	LHLD-A715CBFA	AF			Screw cover
2-38	PGID-A169CBFZ	AG			R air guider a
2-39	PGID-A170CBFZ	AE			R air guider b
2-47	LHLD-A714CBFZ	AR			Plasma holder
2-55	MLOV-A051CBFA	AV			R-louwer
2-56	PFPPB568CBFZ	AH			R-louwer insu
2-57	PFPPB588CBFZ	AE			R-louwer insu s
2-58	PSEL-C566CBZZ	AC			A-sealer r-lv a
2-66	PSHEMA296CBPZ	AC			Heater cover
2-67	LPLTPA428CBPZ	AQ			Heater support
2-72	PSEL-C562CBZZ	AC			A-sealer rc-a
2-74	PSEL-C564CBZZ	AG			A-sealer rc-c
2-95	LANG-A064CBPZ	AF			Eva holder 75
2-97	PCOV-A340CBFA	AF			R con cover s
2-100	GCOVPA199CBFZ	AF			Connect cover
2-120	GCOV-A279CBFA	AM			F return cover
2-125	LPLTMA741CBPZ	AY			Al panel
2-127	LHLD-A405CBFA	AC			Clip
2-131	JBTN-A030CBMA	AH			Button
2-132	JBTN-A031CBMA	AK			Button l
2-133	JBTN-A032CBMA	AH			Button j
2-138	PSEL-C600CBZZ	AD			Ev-cov.sealer b
2-139	PSEL-C601CBZZ	AE			Ev-cov.sealer c
2-140	PSEL-C640CBZZ	AD			Ev-c sealer l
2-141	PSEL-C661CBZZ	AD			Sealer fm
2-147	LHLD-A713CBFA	AE			Lcd-pwb holder
2-148	PSEL-C669CBZZ	AD			A-sealer rc-d
2-149	PSEL-C081CBEZ	AA			A-sealer ag4
2-150	PSHEMA306CBPZ	AQ			Refraction al
6-12	PEVA-A156CBZZ	BE			Evaporator
6-31	PKYU-A035CBE0	AG			Sp-butyl h
90-2	TLAB-A876CBRZ	AC			Warning label

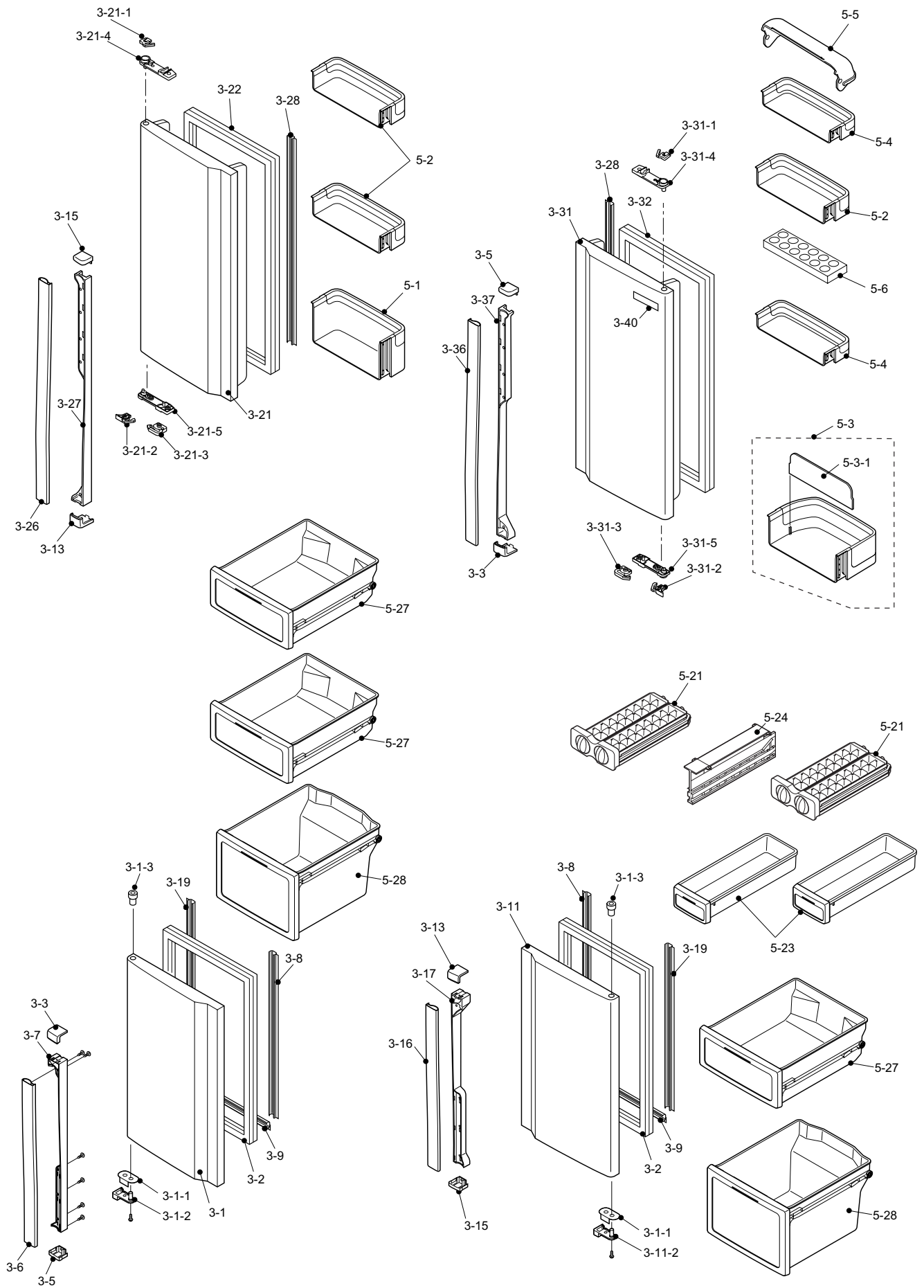
[14] SJF74PS BACK SIDE



NO.	PARTS CODE	PRICE RANK	NEW MARK	PART RANK	DESCRIPTION
[14] SJF74PS BACK SIDE					
1-2	RSTT-A179CBZZ	AR			Ptc relay
1-9	QACC-A173CBZZ	AY			Source cord
1-11	RHOG-A189CBEZ	AZ			Protector
1-22	FCNW-A860CBZZ	AH			Relay wire assy
1-23	QCNW-A916CBZZ	AE			Reray wire sc
1-31	RC-EZA190CBEZ	AW			Running capacitor
1-34	QCNW-A968CBZZ	AC			Earth wire
1-41	RMOTRA097CBZZ	BA			C fan motor
1-50	FPWB-A429CBKZ	BU			Pwb-s ass'y
2-24	GCOVPA200CBFB	AR			Terminal cover
2-51	LHLD-A711CBFA	AQ			Pwb holder

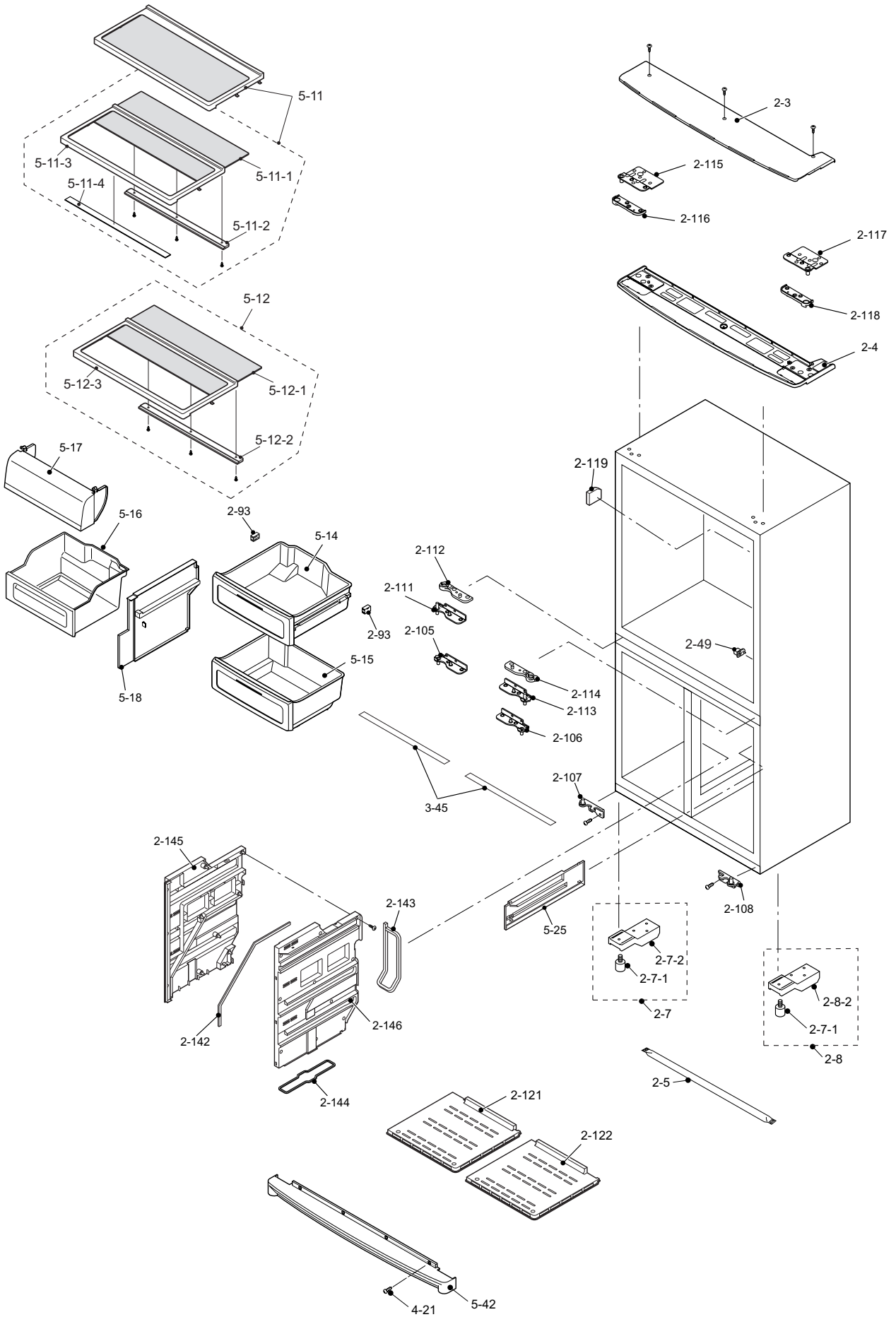
NO.	PARTS CODE	PRICE RANK	NEW MARK	PART RANK	DESCRIPTION
[14] SJF74PS BACK SIDE					
2-77	LHLD-A359CBFA	AE			T-box holder
2-78	LPLTMA399CBP0	AD			Dryer support
2-80	PBOX-A148CBFA	AE			Terminal box
2-87	LBND-A018CBE0	AP			Fastening band a
2-99	PPIPPA126CBFZ	AF			Drain pipe s
2-123	GCOV-A283CBPZ	AH			Comp.cover
2-126	LHLD-A710CBFZ	AH			Cfm frame
2-136	LPLTMA553CBP0	AM			Ev.pan support
2-151	PSEL-C555CBZZ	AD			U-sealer rd
2-152	PSEL-C571CBZZ	AC			Sealer
2-153	PSEL-C662CBZZ	AD			Sealer fm-b
2-154	PCILFA011CBZZ	AC			Emi core esd-r-38
4-1	LBND-A023CBE0	AC			L-band c
4-4	QTAN-A012CBE0	AH			Solderless term. b
4-10	QTAN-A013CBE0	AH			Solderless term. a
4-15	LX-BZA090CBZZ	AC			Special screw
4-17	LX-WZA035CBZZ	AB			Washer
5-41	USRA-A297CBFA	AP			Drain pan
6-1	PCMPLA262CBZZ	CA			Compressor
6-2	PSPAGA054CBEZ	AH			Rubber grommet
6-3	FCONSA101CBZZ	BB			Sub condenser
6-4	FFRM-A145CBKZ	AM			Base frame assy
6-5	FDRY-A006CBK0	AX			Dryer ass'y
6-7	LPLTPA418CBFA	AF			S-con support l
6-8	LPLTPA419CBFA	AF			S-con support r
6-9	PSPAFA047CBEZ	AE			Sleeve
6-10	PPIPCA533CBZZ	AW			Dcp connector
6-11	PPIPCA534CBZZ	AW			Sp-connector
6-17	PPIPCA252CBE0	AD			Charge pipe
6-18	PPIPCA518CBZZ	AE			Chrg pipe hc l
6-30	PKYU-A098CBE0	AG			Compressor butyl
6-32	PGUM-A026CBFZ	AV			Comp. spacer-3
6-40	LHLD-A465CBE0	AG			Cord clip
[15] SJF74PS OTHERS					
90-1	TINS-A711CBRZ	AP			Op-manual
90-3	SPAKCA225CBZZ	BE			Packing case 70
90-6	CPADBA076CBKZ	AU			Bottom pad ass'y
90-7	CPADBA077CBKZ	AU			Top pad ass'y
90-8	TINSEA044CBRZ	AG			Set label
90-12	TLAB-B359CBRZ	AG			Country origin label
90-13	TLAB-A637CBR0	AG			Energy label (GB)
90-13	TLAB-A638CBR0	AG			Energy label (D)
90-13	TLAB-A639CBR0	AG			Energy label (F)
90-13	TLAB-A640CBR0	AG			Energy label (E)
90-13	TLAB-A641CBR0	AG			Energy label (I)
90-13	TLAB-A642CBR0	AG			Energy label (GR)
90-13	TLAB-A643CBR0	AG			Energy label (P)
90-13	TLAB-A644CBR0	AG			Energy label (NL)
90-21	TLAB-A939CBRZ	AD			Caution label rof
90-33	TLAB-B220CBRZ	AE			Temp.caution label

[16] SJF77PC DOOR



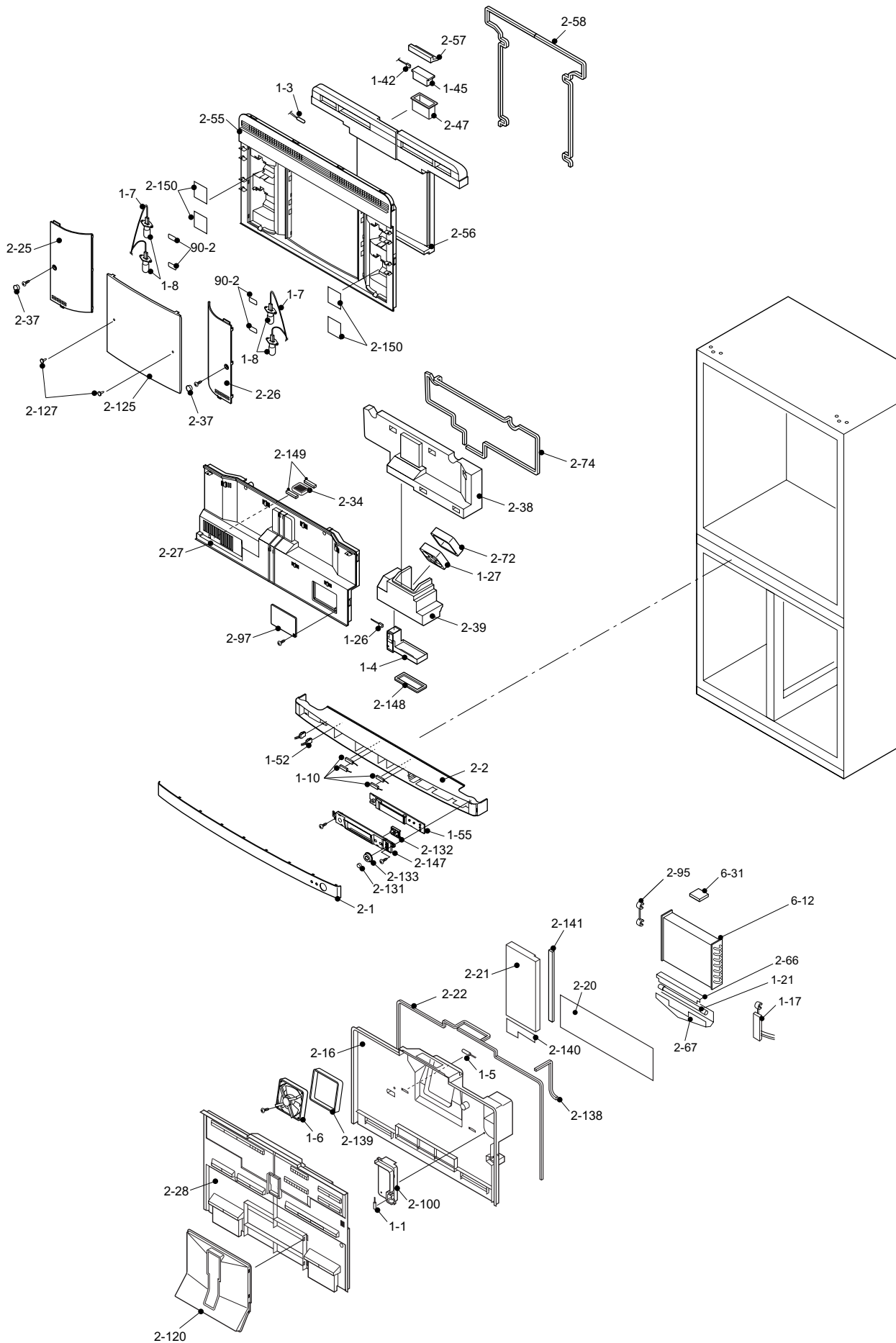
NO.	PARTS CODE	PRICE RANK	NEW MARK	PART RANK	DESCRIPTION
[16] SJF77PC DOOR					
3-1	FDORFB904CBKZ	BQ			F-door l ass'y [SL]
3-1	FDORFB906CBKZ	BQ			F-door l ass'y [BE]
3-1	FDORFB908CBKZ	BQ			F-door l ass'y [WH]
3-1-1	LSTPMA008CBM0	AD			F-door stopper r
3-1-2	LSTPPA146CBFA	AF			Fd-stp spring l
3-1-3	NBRGPA022CBFA	AC			Nylon bearing 3s
3-2	FPACGA431CBYA	AT			F door packing
3-3	HDECQA499CBTA	AK			Hd-cap rbr
3-5	HDECQA505CBTA	AK			Hd-cap rtr
3-6	JHNDPA220CBPA	BG			Fd-handle l
3-7	LPLTPA400CBFA	AT			Hd-base fl [SL]
3-7	LPLTPA400CBFB	AU			Hd-base fl [BE]
3-7	LPLTPA400CBFC	AU			Hd-base fl [WH]
3-8	PPACGA226CBZA	AM			F-sub packing a
3-9	PPACGA227CBZA	AK			F-sub packing b
3-11	FDORFB905CBKZ	BQ			F-door r ass'y [SL]
3-11	FDORFB907CBKZ	BQ			F-door r ass'y [BE]
3-11	FDORFB909CBKZ	BQ			F-door r ass'y [WH]
3-11-2	LSTPPA147CBFA	AF			Fd-stp spring r
3-13	HDECQA501CBTA	AK			Hd-cap rbl
3-15	HDECQA503CBTA	AK			Hd-cap rtl
3-16	JHNDPA221CBPA	BG			Fd-handle r
3-17	LPLTPA401CBFA	AV			Hd-base fr [SL]
3-17	LPLTPA401CBFB	AU			Hd-base fr [BE]
3-17	LPLTPA401CBFC	AU			Hd-base fr [WH]
3-19	PPACGA241CBZA	AK			F-sub packing c
3-21	FDORRB735CBKZ	BS			R-door l ass'y [SL]
3-21	FDORRB739CBKZ	BR			R-door l ass'y [BE]
3-21	FDORRB741CBKZ	BS			R-door l ass'y [WH]
3-21-1	LSTPPA150CBFA	AF			Stp-spring tl
3-21-2	LSTPPA151CBFA	AF			Stp-spring bl
3-21-3	LSTPPA152CBFA	AF			R lock spring l
3-21-4	MSLI-A070CBFA	AE			Door cam tl
3-21-5	MSLI-A071CBFA	AE			Door cam bl
3-22	FPACGA432CBYA	AX			R door packin l
3-26	JHNDPA222CBPA	BH			Rd-handle l
3-27	LPLTPA402CBFA	AV			Hd-base rl [SL]
3-27	LPLTPA402CBFB	AW			Hd-base rl [BE]
3-27	LPLTPA402CBFC	AW			Hd-base rl [WH]
3-28	PPACGA229CBZA	AP			R-sub packing
3-31	FDORRB736CBKZ	BS			R-door r ass'y [SL]
3-31	FDORRB740CBKZ	BR			R-door r ass'y [BE]
3-31	FDORRB742CBKZ	BS			R-door r ass'y [WH]
3-31-1	LSTPPA148CBFA	AF			Stp-spring tr
3-31-2	LSTPPA149CBFA	AF			Stp-spring br
3-31-3	LSTPPA153CBFA	AF			R lock spring r
3-31-4	MSLI-A068CBFA	AE			Door cam tr
3-31-5	MSLI-A069CBFA	AE			Door cam br
3-32	FPACGA442CBYA	AX			R door packin r
3-36	JHNDPA223CBPA	BH			Rd-handle r
3-37	LPLTPA403CBFA	AV			Hd-base rr [SL]
3-37	LPLTPA403CBFB	AW			Hd-base rr [BE]
3-37	LPLTPA403CBFC	AW			Hd-base rr [WH]
3-40	HBDGDB006CBZA	AZ			Badge
5-1	FPOK-A242CBKZ	AX			Btl-pok l ass'y
5-2	FPOK-A243CBKZ	AV			Door pocket ass'y
5-3	FPOK-A244CBKZ	AZ			Btl-pok r ass'y
5-3-1	LSTYPA044CBFA	AL			B-pok partition
5-4	FPOK-A245CBKZ	AT			Utility pok ass'y
5-5	GDORPA078CBFA	AN			U-pok door
5-6	UTNA-A397CBFA	AH			Egg tray
5-21	FSRA-A244CBYZ	AP			Ice cube maker
5-23	FYOK-A232CBKZ	AV			Ice storage assy
5-24	LSTYPA043CBFA	AW			I-case stay
5-27	FYOK-A231CBKZ	BC			F-case s ass'y
5-28	FYOK-A230CBKZ	BE			F-case l ass'y

[17] SJF77PC CABINET1



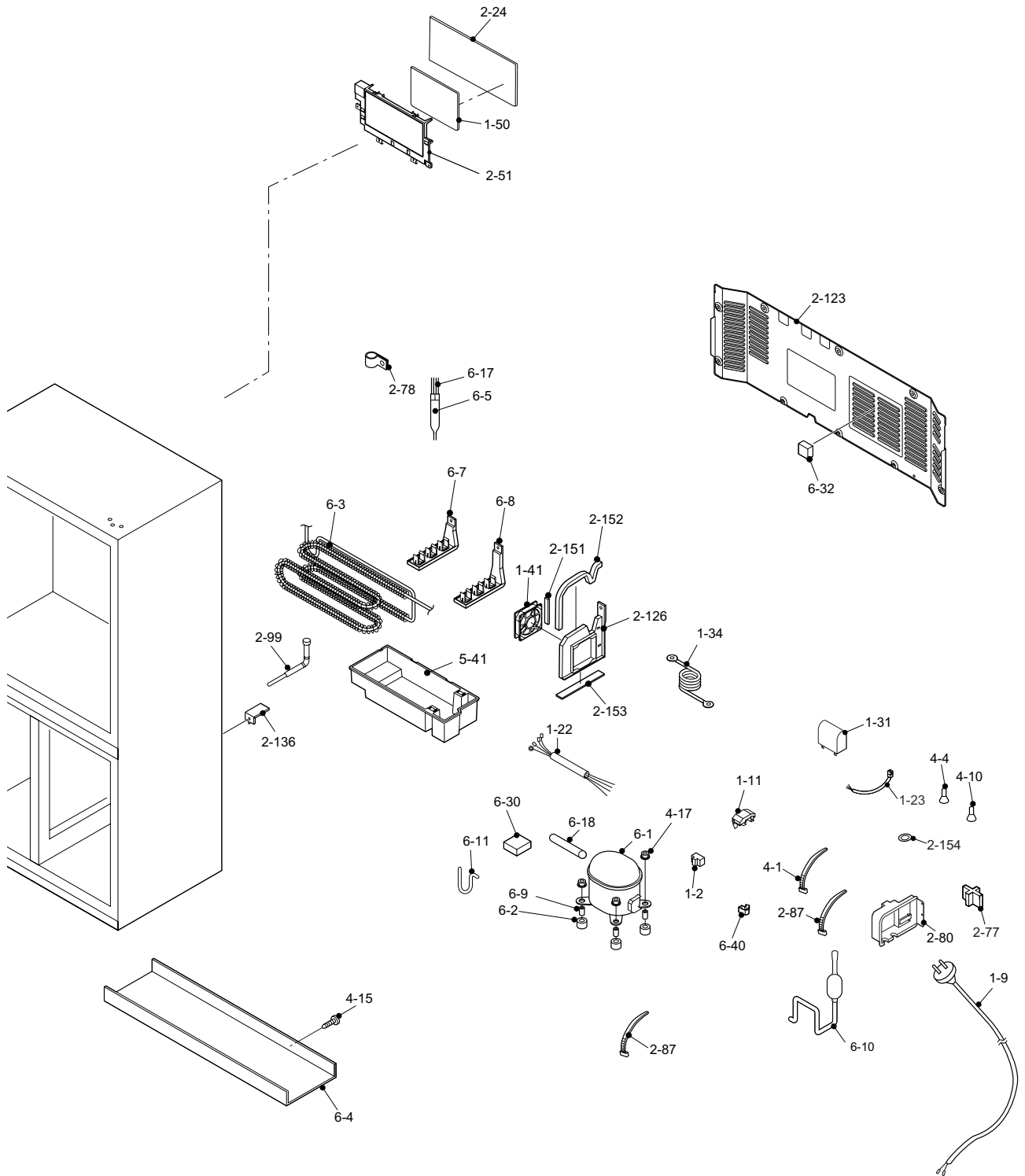
NO.	PARTS CODE	PRICE RANK	NEW MARK	PART RANK	DESCRIPTION
[17] SJF77PC CABINET1					
2-3	PCOVPA398CBFB	AQ			Hinge cover [SL]
2-3	PCOVPA398CBFC	AQ			Hinge cover [BE]
2-3	PCOVPA398CBFE	AQ			Hinge cover [WH]
2-4	LPLTPA399CBFB	AX			Hinge support [BE]
2-4	LPLTPA399CBFC	AX			Hinge support [WH]
2-4	LPLTPA416CBTA	AX			Hinge support-t [SL]
2-5	JHNDMA025CBPZ	AE			Carrying bar
2-7	FLEGPA127CBKZ	AN			Leg holder-ls k
2-7-1	FAJS-A028CBKZ	AZ			Adjustable leg ass'y
2-7-2	FLEGPA123CBYZ	AH			Leg holder-lk
2-8	FLEGPA128CBKZ	AN			Leg holder-rs k
2-8-2	FLEGPA124CBYZ	AH			Leg holder-rk
2-49	LSTPPA108CBFA	AC			Chilled stopper
2-93	PCAP-A068CBFA	AC			C sliding cap a
2-105	DHNG-A537CBMZ	BA			F-hinge lt assy
2-106	DHNG-A538CBMZ	BA			F-hinge rt assy
2-107	DHNG-A539CBMZ	BA			F-hinge lb assy
2-108	DHNG-A540CBMZ	BA			F-hinge rb assy
2-111	FHNG-A231CBMZ	AH			R-hinge lbk
2-112	MSLI-A072CBFA	AE			Hinge cam bl
2-113	FHNG-A232CBMZ	AH			R-hinge rbk
2-114	MSLI-A073CBFA	AE			Hinge cam br
2-115	FHNG-A233CBYZ	AH			R-hinge ltk
2-116	MSLI-A074CBFA	AE			Hinge cam tl
2-117	FHNG-A234CBYZ	AH			R-hinge rtk
2-118	MSLI-A075CBFA	AE			Hinge cam tr
2-119	FPLTPA107CBKZ	AM			Temp.meter ass'y
2-121	GCOV-A280CBFA	AV			F-ret cover bl
2-122	GCOV-A281CBFA	AV			F-ret cover br
2-142	PSEL-C558CBZZ	AD			Sealer c
2-143	PSEL-C559CBZZ	AD			Sealer d
2-144	PSEL-C560CBZZ	AD			Sealer e
2-145	PSKR-A327CBFA	AU			V-partition lfb
2-146	PSKR-A328CBFA	AU			V-partition rfb
3-45	PPACGA244CBZA	AF			F-sub packing d
4-21	LX-TZA091CBTA	AE			Special screw [SL]
4-21	LX-TZA091CBTC	AE			Special screw [BE]
4-21	LX-TZA091CBTE	AE			Special screw [WH]
5-11	FTNA-A418CBKZ	BE			R-shelf ass'y
5-11-1	UTNA-A396CBRA	AY			R-glass shelf
5-11-2	UWAKPA019CBFA	AM			G guard rb
5-11-3	UWAKPA021CBFA	AT			G guard r
5-11-4	LPLTMA753CBPZ	AP			R shelf support
5-12	FTNA-A417CBKZ	AZ			V-shelf ass'y
5-12-1	UTNA-A395CBRA	AY			V-glass shelf
5-12-2	UWAKPA018CBFA	AL			G guard vb
5-12-3	UWAKPA020CBFA	AT			G guard v
5-14	FYOK-A227CBKZ	AZ			Fruit case assy
5-15	FYOK-A228CBKZ	AZ			Fresh case assy
5-16	FYOK-A229CBKZ	AZ			V-case ass'y
5-17	GFTA-A101CBFA	AN			V-case door
5-18	LSTYPA042CBFA	AT			R-case stay
5-25	LRAL-A092CBFA	AM			Ice room rail
5-42	HGRL-A243CBFB	AS			Base cover [SL]
5-42	HGRL-A243CBFC	AS			Base cover [BE]
5-42	HGRL-A243CBFE	AS			Base cover [WH]

[18] SJF77PC CABINET2



NO.	PARTS CODE	PRICE RANK	NEW MARK	PART RANK	DESCRIPTION
[18] SJF77PC CABINET2					
1-1	RH-HXA066CBZZ	AT			F-thermistor
1-3	RH-HXA065CBZZ	AT			R-thermistor
1-4	DTHM-A031CBKZ	AX			Damper ass'y
1-5	RH-HXA067CBZZ	AT			Def-thermistor
1-6	RMOTRA096CBZZ	BE			F fan motor
1-7	QCNW-B148CBZZ	AK			Lead lamp
1-8	FLMP-A003CBZZ	AM			Lamp ass'y
1-10	QSW-LA015CBZZ	AQ			Reed sw
1-17	FFS-TA087CBKZ	AM			Fuse ass'y
1-21	FHETBA193CBZZ	BA			Defrost heater
1-26	QCNW-B146CBZZ	AK			Lead r-c box
1-27	RMOTRA095CBZZ	BA			R fan motor
1-42	QCNW-B147CBZZ	AF			Lead r-louwer
1-45	FTRN-A014CBKZ	BD			Ionaizer-k
1-52	QCNW-B150CBZZ	AH			Pwb-harness
1-55	FPWB-A438CBKZ	BR			Lcd pwb s ass'y
2-1	HPNL-A441CBTA	AP			Con-panel t
2-2	GDAI-A078CBTA	AU			Control base
2-16	GCOV-A282CBFA	AV			Ev-cover
2-20	PSEL-C573CBZZ	AE			E.v.pe-al sheet
2-21	PFPPB565CBFZ	AE			Ev-cover insu
2-22	PSEL-C569CBZZ	AC			Ev-cover sealer
2-25	PCOV-A332CBFA	AN			R lamp cover l
2-26	PCOV-A333CBFA	AN			R lamp cover r
2-27	GCOVPA198CBFA	AT			R-c box cover
2-28	HGRL-A244CBFA	AX			Fan louwer
2-34	PFIL-A047CBEZ	AC			Deodorizer
2-37	LHLD-A715CBFA	AF			Screw cover
2-38	PGID-A169CBFZ	AG			R air guider a
2-39	PGID-A170CBFZ	AE			R air guider b
2-47	LHLD-A714CBFZ	AR			Plasma holder
2-55	MLOV-A050CBFA	AV			R-louwer
2-56	PFPPB564CBFZ	AH			R-louwer insu
2-57	PFPPB588CBFZ	AE			R-louwer insu s
2-58	PSEL-C567CBZZ	AC			A-sealer r-lv b
2-66	PSHEMA296CBPZ	AC			Heater cover
2-67	LPLTPA428CBPZ	AQ			Heater support
2-72	PSEL-C562CBZZ	AC			A-sealer rc-a
2-74	PSEL-C564CBZZ	AG			A-sealer rc-c
2-95	LANG-A064CBPZ	AF			Eva holder 75
2-97	PCOV-A340CBFA	AF			R con cover s
2-100	GCOVPA199CBFZ	AF			Connect cover
2-120	GCOV-A279CBFA	AM			F return cover
2-125	LPLTMA738CBPZ	AY			Al panel
2-127	LHLD-A405CBEA	AC			Clip
2-131	JBTN-A030CBMA	AH			Button
2-132	JBTN-A033CBMA	AX			Button l
2-133	JBTN-A032CBMA	AH			Button j
2-138	PSEL-C600CBZZ	AD			Ev-cov.sealer b
2-139	PSEL-C601CBZZ	AE			Ev-cov.sealer c
2-140	PSEL-C640CBZZ	AD			Ev-c sealer l
2-141	PSEL-C661CBZZ	AD			Sealer fm
2-147	LHLD-A713CBFA	AE			Lcd-pwb holder
2-148	PSEL-C669CBZZ	AD			A-sealer rc-d
2-149	PSEL-C081CBEZ	AA			A-sealer ag4
2-150	PSHEMA306CBPZ	AQ			Refraction al
6-12	PEVA-A156CBZZ	BE			Evaporator
6-31	PKYU-A035CBE0	AG			Sp-butyl h
90-2	TLAB-A876CBRZ	AC			Warning label

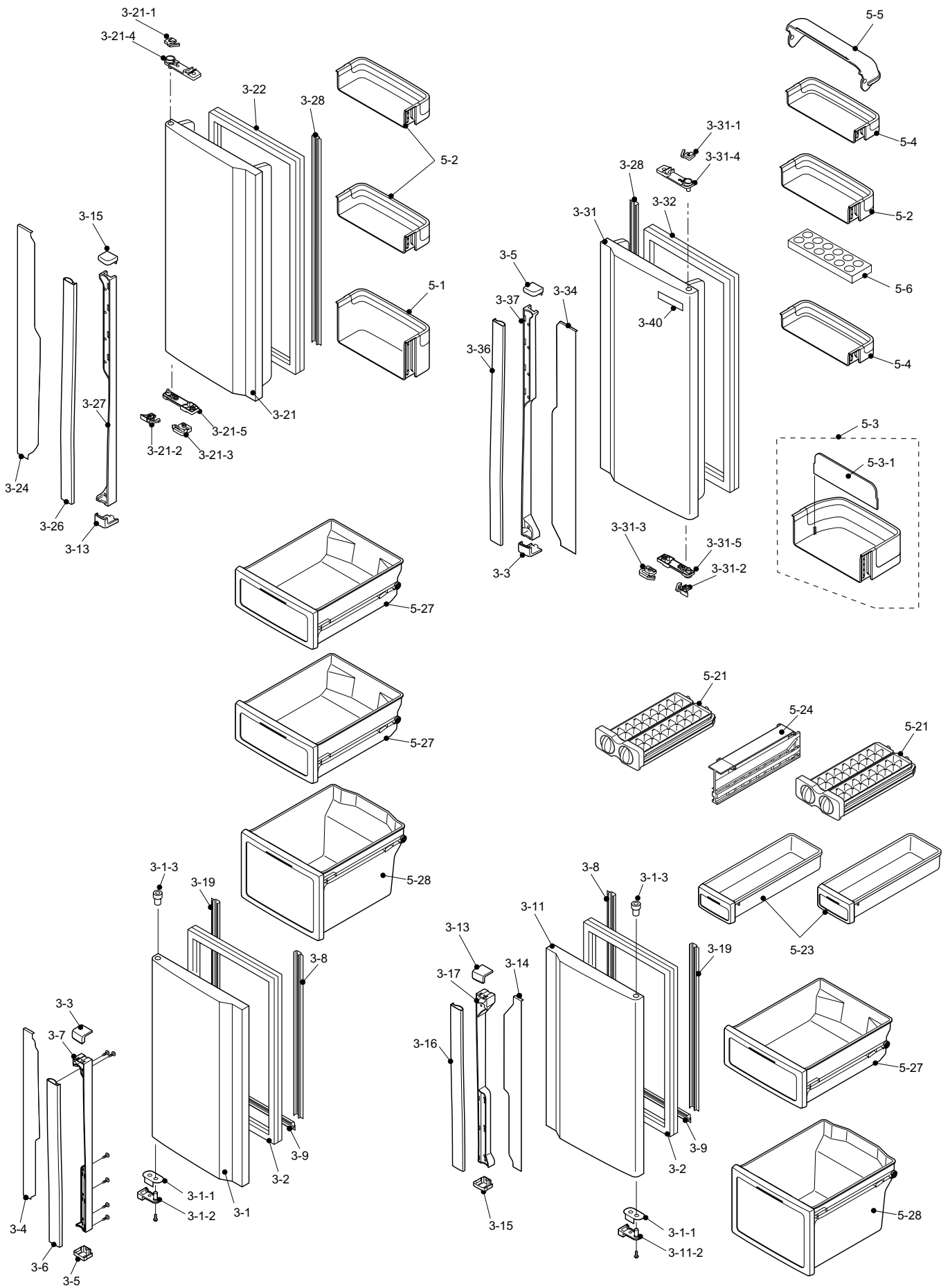
[19] SJF77PC BACK SIDE



NO.	PARTS CODE	PRICE RANK	NEW MARK	PART RANK	DESCRIPTION
[19] SJF77PC BACK SIDE					
1-2	RSTT-A179CBZZ	AR			Ptc relay
1-9	QACC-A173CBZZ	AY			Source cord
1-11	RHOG-A189CBEZ	AZ			Protector
1-22	FCNW-A860CBZZ	AH			Relay wire assy
1-23	QCNW-A916CBZZ	AE			Reray wire sc
1-31	RC-EZA190CBEZ	AW			Running capacitor
1-34	QCNW-A968CBZZ	AC			Earth wire
1-41	RMOTRA097CBZZ	BA			C fan motor
1-50	FPWB-A429CBKZ	BU			Pwb-s ass'y
2-24	GCOVPA200CBFB	AR			Terminal cover
2-51	LHLD-A711CBFA	AQ			Pwb holder

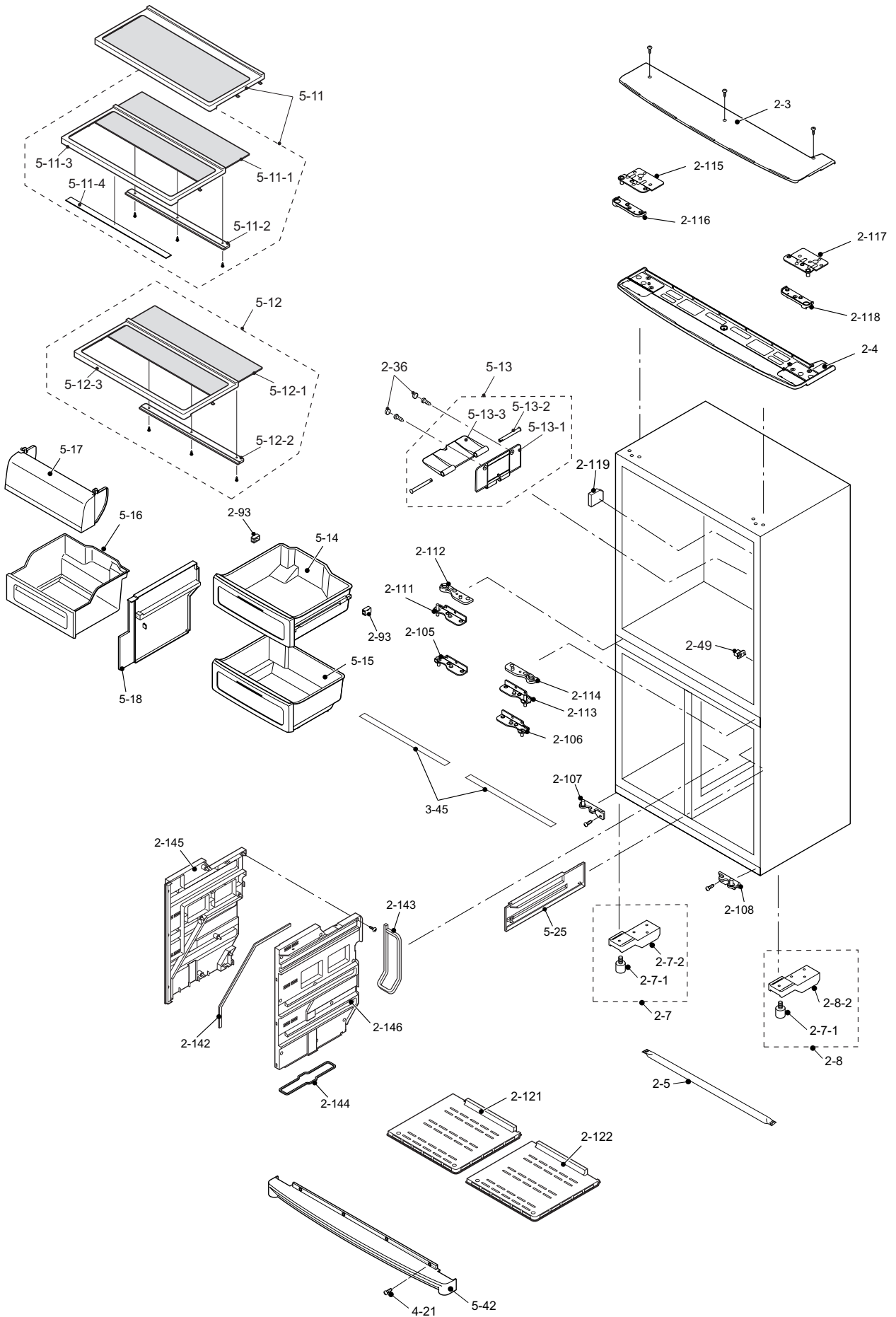
NO.	PARTS CODE	PRICE RANK	NEW MARK	PART RANK	DESCRIPTION
[19] SJF77PC BACK SIDE					
2-77	LHLD-A359CBFA	AE			T-box holder
2-78	LPLTMA399CBP0	AD			Dryer support
2-80	PBOX-A148CBFA	AE			Terminal box
2-87	LBND-A018CBE0	AP			Fastening band a
2-99	PPIPPA126CBFZ	AF			Drain pipe s
2-123	GCOV-A283CBPZ	AH			Comp.cover
2-126	LHLD-A710CBFZ	AH			Cfm frame
2-136	LPLTMA553CBP0	AM			Ev.pan support
2-151	PSEL-C555CBZZ	AD			U-sealer rd
2-152	PSEL-C571CBZZ	AC			Sealer
2-153	PSEL-C662CBZZ	AD			Sealer fm-b
2-154	PCILFA011CBZZ	AC			Emi core esd-r-38
4-1	LBND-A023CBE0	AC			L-band c
4-4	QTAN-A012CBE0	AH			Solderless term. b
4-10	QTAN-A013CBE0	AH			Solderless term. a
4-15	LX-BZA090CBZZ	AC			Special screw
4-17	LX-WZA035CBZZ	AB			Washer
5-41	USRA-A297CBFA	AP			Drain pan
6-1	PCMPLA262CBZZ	CA			Compressor
6-2	PSPAGA054CBEZ	AH			Rubber grommet
6-3	FCONSA101CBZZ	BB			Sub condenser
6-4	FFRM-A145CBKZ	AM			Base frame assy
6-5	FDRY-A006CBK0	AX			Dryer ass'y
6-7	LPLTPA418CBFA	AF			S-con support l
6-8	LPLTPA419CBFA	AF			S-con support r
6-9	PSPAFA047CBEZ	AE			Sleeve
6-10	PPIPCA533CBZZ	AW			Dcp connector
6-11	PPIPCA534CBZZ	AW			Sp-connector
6-17	PPIPCA252CBE0	AD			Charge pipe
6-18	PPIPCA518CBZZ	AE			Chrg pipe hc l
6-30	PKYU-A098CBE0	AG			Compressor butyl
6-32	PGUM-A026CBFZ	AV			Comp. spacer-3
6-40	LHLD-A465CBE0	AG			Cord clip
[20] SJF77PC OTHERS					
90-1	TINS-A711CBRZ	AP			Op-manual
90-3	SPAKCA223CBZZ	BB			Packing case 75
90-6	CPADBA076CBKZ	AU			Bottom pad ass'y
90-7	CPADBA077CBKZ	AU			Top pad ass'y
90-8	TINSEA044CBRZ	AG			Set label
90-12	TLAB-B358CBRZ	AG			Energy label
90-13	TLAB-A637CBR0	AG			Energy label (GB)
90-13	TLAB-A638CBR0	AG			Energy label (D)
90-13	TLAB-A639CBR0	AG			Energy label (F)
90-13	TLAB-A640CBR0	AG			Energy label (E)
90-13	TLAB-A641CBR0	AG			Energy label (I)
90-13	TLAB-A642CBR0	AG			Energy label (GR)
90-13	TLAB-A643CBR0	AG			Energy label (P)
90-13	TLAB-A644CBR0	AG			Energy label (NL)
90-21	TLAB-A939CBRZ	AD			Caution label rof
90-33	TLAB-B220CBRZ	AE			Temp.caution label

[21] SJF78PE DOOR



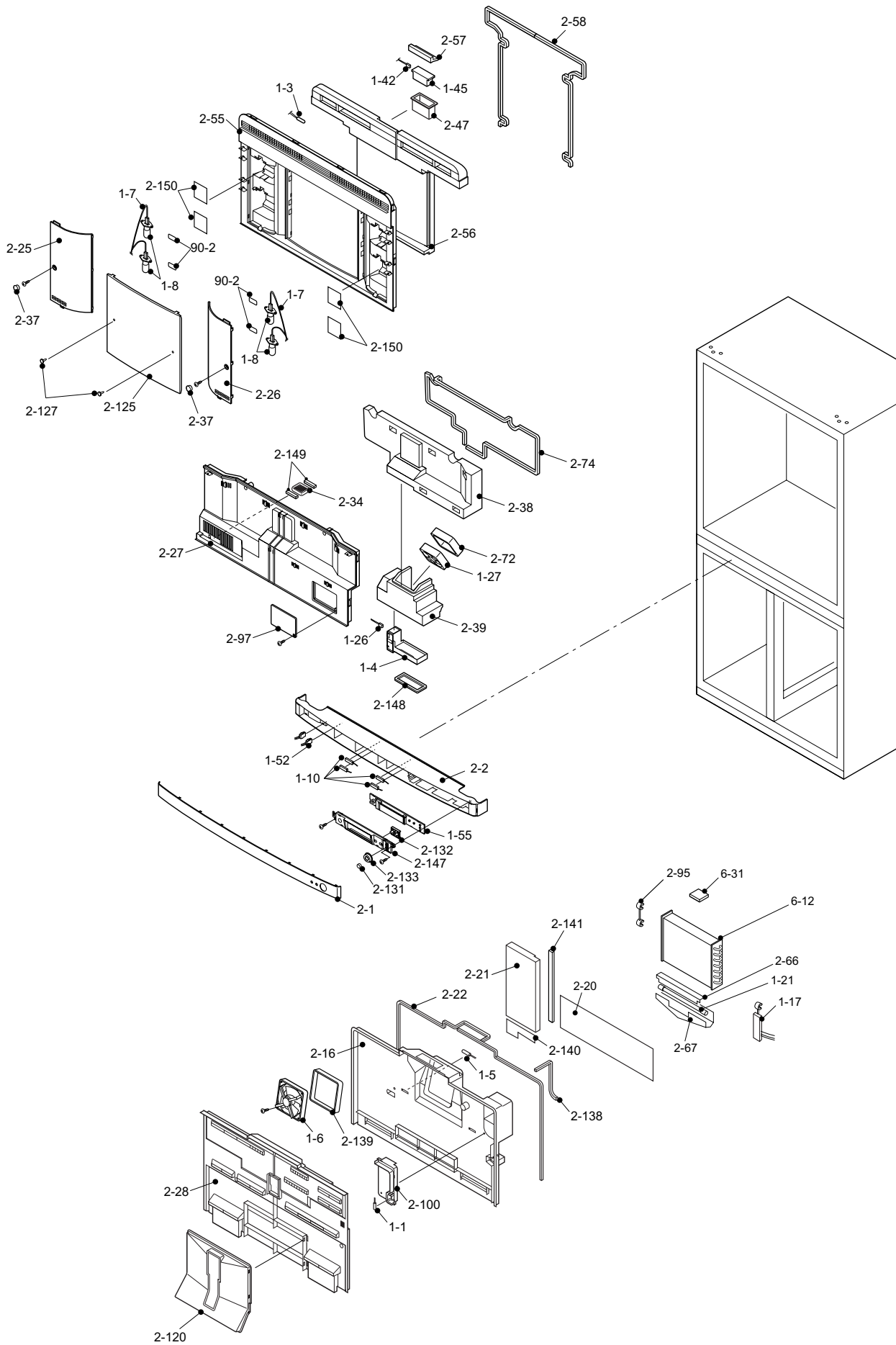
NO.	PARTS CODE	PRICE RANK	NEW MARK	PART RANK	DESCRIPTION
[21] SJF78PE DOOR					
3-1	FDORFB904CBKZ	BQ			F-door l ass'y [SL]
3-1	FDORFB906CBKZ	BQ			F-door l ass'y [BE]
3-1	FDORFB908CBKZ	BQ			F-door l ass'y [WH]
3-1-1	LSTPMA008CBM0	AD			F-door stopper r
3-1-2	LSTPPA146CBFA	AF			Fd-stp spring l
3-1-3	NBRGPA022CBFA	AC			Nylon bearing 3s
3-2	FPACGA431CBYA	AT			F door packing
3-3	HDECQA499CBTA	AK			Hd-cap rbr
3-4	HDECQA500CBRB	AN			Fd-trim l
3-5	HDECQA505CBTA	AK			Hd-cap rtr
3-6	JHNDPA214CBPA	AG			Fd-handle l
3-7	LPLTPA400CBFA	AT			Hd-base fl [SL]
3-7	LPLTPA400CBFB	AU			Hd-base fl [BE]
3-7	LPLTPA400CBFC	AU			Hd-base fl [WH]
3-8	PPACGA226CBZA	AM			F-sub packing a
3-9	PPACGA227CBZA	AK			F-sub packing b
3-11	FDORFB905CBKZ	BQ			F-door r ass'y [SL]
3-11	FDORFB907CBKZ	BQ			F-door r ass'y [BE]
3-11	FDORFB909CBKZ	BQ			F-door r ass'y [WH]
3-11-2	LSTPPA147CBFA	AF			Fd-stp spring r
3-13	HDECQA501CBTA	AK			Hd-cap rbl
3-14	HDECQA502CBRB	AN			Fd-trim r
3-15	HDECQA503CBTA	AK			Hd-cap rtl
3-16	JHNDPA215CBPA	AG			Fd-handle r
3-17	LPLTPA401CBFA	AV			Hd-base fr [SL]
3-17	LPLTPA401CBFB	AU			Hd-base fr [BE]
3-17	LPLTPA401CBFC	AU			Hd-base fr [WH]
3-19	PPACGA241CBZA	AK			F-sub packing c
3-21	FDORRB735CBKZ	BS			R-door l ass'y [SL]
3-21	FDORRB739CBKZ	BR			R-door l ass'y [BE]
3-21	FDORRB741CBKZ	BS			R-door l ass'y [WH]
3-21-1	LSTPPA150CBFA	AF			Stp-spring tl
3-21-2	LSTPPA151CBFA	AF			Stp-spring bl
3-21-3	LSTPPA152CBFA	AF			R lock spring l
3-21-4	MSLI-A070CBFA	AE			Door cam tl
3-21-5	MSLI-A071CBFA	AE			Door cam bl
3-22	FPACGA432CBYA	AX			R door packin l
3-24	HDECQA504CBRB	AQ			Rd-trim l
3-26	JHNDPA216CBPA	AG			Rd-handle l
3-27	LPLTPA402CBFA	AV			Hd-base rl [SL]
3-27	LPLTPA402CBFB	AW			Hd-base rl [BE]
3-27	LPLTPA402CBFC	AW			Hd-base rl [WH]
3-28	PPACGA229CBZA	AP			R-sub packing
3-31	FDORRB736CBKZ	BS			R-door r ass'y [SL]
3-31	FDORRB740CBKZ	BR			R-door r ass'y [BE]
3-31	FDORRB742CBKZ	BS			R-door r ass'y [WH]
3-31-1	LSTPPA148CBFA	AF			Stp-spring tr
3-31-2	LSTPPA149CBFA	AF			Stp-spring br
3-31-3	LSTPPA153CBFA	AF			R lock spring r
3-31-4	MSLI-A068CBFA	AE			Door cam tr
3-31-5	MSLI-A069CBFA	AE			Door cam br
3-32	FPACGA442CBYA	AX			R door packin r
3-34	HDECQA506CBRB	AQ			Rd-trim r
3-36	JHNDPA217CBPA	AG			Rd-handle r
3-37	LPLTPA403CBFA	AV			Hd-base rr [SL]
3-37	LPLTPA403CBFB	AW			Hd-base rr [BE]
3-37	LPLTPA403CBFC	AW			Hd-base rr [WH]
3-40	HBDGDB006CBZA	AZ			Badge
5-1	FPOK-A242CBKZ	AX			Btl-pok l ass'y
5-2	FPOK-A243CBKZ	AV			Door pocket ass'y
5-3	FPOK-A244CBKZ	AZ			Btl-pok r ass'y
5-3-1	LSTYPA044CBFA	AL			B-pok partition
5-4	FPOK-A245CBKZ	AT			Utility pok ass'y
5-5	GDORPA078CBFA	AN			U-pok door
5-6	UTNA-A397CBFA	AH			Egg tray
5-21	FSRA-A244CBYZ	AP			Ice cube maker
5-23	FYOK-A232CBKZ	AV			Ice storage assy
5-24	LSTYPA043CBFA	AW			I-case stay
5-27	FYOK-A231CBKZ	BC			F-case s ass'y
5-28	FYOK-A230CBKZ	BE			F-case l ass'y

[22] SJF78PE CABINET1



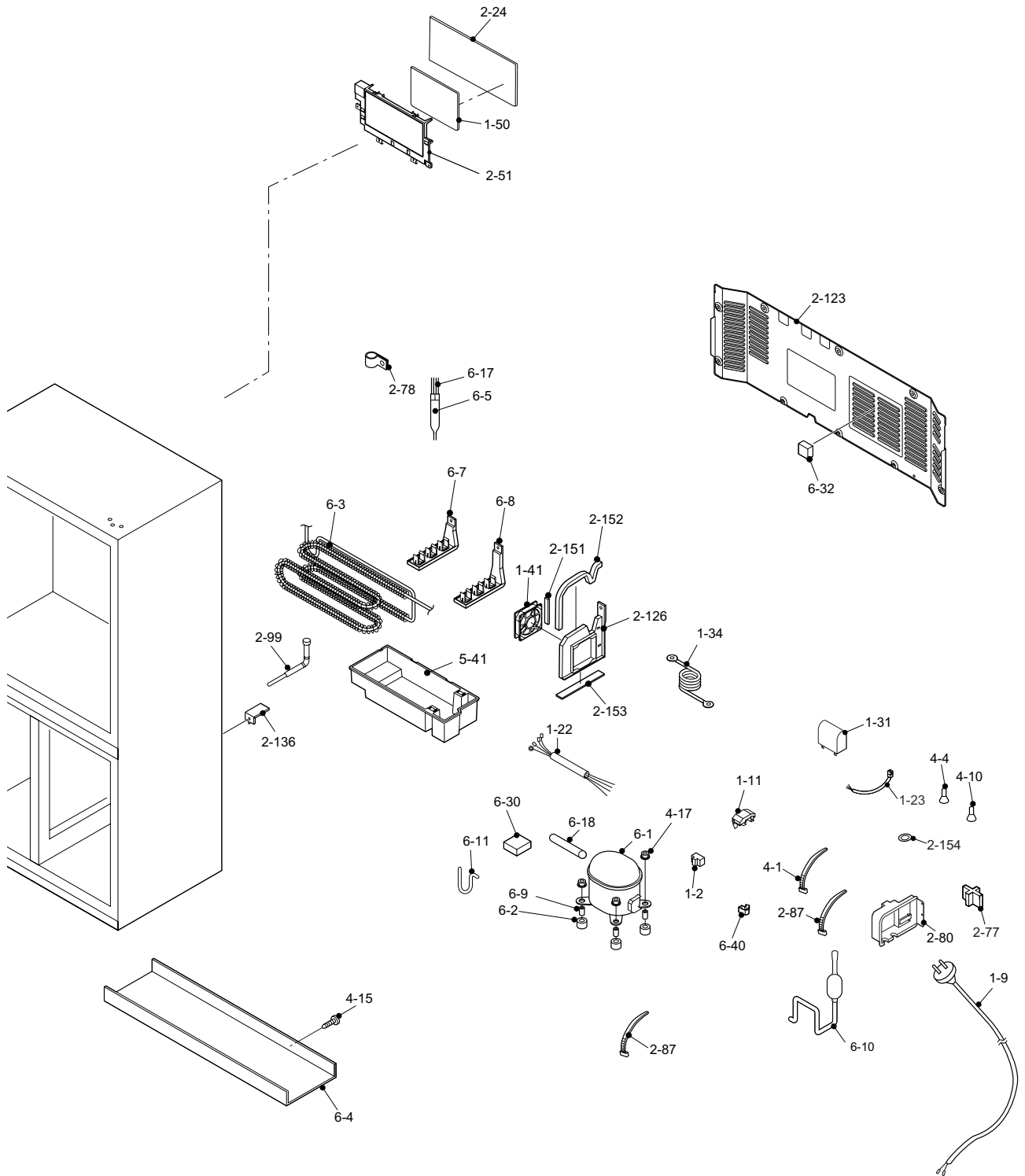
NO.	PARTS CODE	PRICE RANK	NEW MARK	PART RANK	DESCRIPTION
[22] SJF78PE CABINET1					
2-3	PCOVPA398CBFB	AQ			Hinge cover [SL]
2-3	PCOVPA398CBFC	AQ			Hinge cover [BE]
2-3	PCOVPA398CBFE	AQ			Hinge cover [WH]
2-4	LPLTPA399CBFB	AX			Hinge support [BE]
2-4	LPLTPA399CBFC	AX			Hinge support [WH]
2-4	LPLTPA416CBTA	AX			Hinge support-t [SL]
2-5	JHNDMA025CBPZ	AE			Carrying bar
2-7	FLEGPA127CBKZ	AN			Leg holder-ls k
2-7-1	FAJS-A028CBKZ	AZ			Adjustable leg ass'y
2-7-2	FLEGPA123CBYZ	AH			Leg holder-lk
2-8	FLEGPA128CBKZ	AN			Leg holder-rs k
2-8-2	FLEGPA124CBYZ	AH			Leg holder-rk
2-36	PCAP-A006CBFW	AB			Screw cover
2-49	LSTPPA108CBFA	AC			Chilled stopper
2-93	PCAP-A068CBFA	AC			C sliding cap a
2-105	DHNG-A537CBMZ	BA			F-hinge lt assy
2-106	DHNG-A538CBMZ	BA			F-hinge rt assy
2-107	DHNG-A539CBMZ	BA			F-hinge lb assy
2-108	DHNG-A540CBMZ	BA			F-hinge rb assy
2-111	FHNG-A231CBMZ	AH			R-hinge lbk
2-112	MSLI-A072CBFA	AE			Hinge cam bl
2-113	FHNG-A232CBMZ	AH			R-hinge rbk
2-114	MSLI-A073CBFA	AE			Hinge cam br
2-115	FHNG-A233CBYZ	AH			R-hinge ltk
2-116	MSLI-A074CBFA	AE			Hinge cam tl
2-117	FHNG-A234CBYZ	AH			R-hinge rtk
2-118	MSLI-A075CBFA	AE			Hinge cam tr
2-119	FPLTPA107CBKZ	AM			Temp.meter ass'y
2-121	GCOV-A280CBFA	AV			F-ret cover bl
2-122	GCOV-A281CBFA	AV			F-ret cover br
2-142	PSEL-C558CBZZ	AD			Sealer c
2-143	PSEL-C559CBZZ	AD			Sealer d
2-144	PSEL-C560CBZZ	AD			Sealer e
2-145	PSKR-A327CBFA	AU			V-partition lfb
2-146	PSKR-A328CBFA	AU			V-partition rfb
3-45	PPACGA244CBZA	AF			F-sub packing d
4-21	LX-TZA091CBTA	AE			Special screw [SL]
4-21	LX-TZA091CBTC	AE			Special screw [BE]
4-21	LX-TZA091CBTE	AE			Special screw [WH]
5-11	FTNA-A418CBKZ	BE			R-shelf ass'y
5-11-1	UTNA-A396CBRA	AY			R-glass shelf
5-11-2	UWAKPA019CBFA	AM			G guard rb
5-11-3	UWAKPA021CBFA	AT			G guard r
5-11-4	LPLTMA753CBPZ	AP			R shelf support
5-12	FTNA-A417CBKZ	AZ			V-shelf ass'y
5-12-1	UTNA-A395CBRA	AY			V-glass shelf
5-12-2	UWAKPA018CBFA	AL			G guard vb
5-12-3	UWAKPA020CBFA	AT			G guard v
5-13	FTNA-A419CBKZ	AR			Bttl rack ass'y
5-13-1	LHLD-A712CBFA	AK			B-r holder
5-13-2	NSFT-A041CBFA	AE			B-r shaft
5-13-3	UTNA-A398CBFA	AK			Bottle rack
5-14	FYOK-A227CBKZ	AZ			Fruit case assy
5-15	FYOK-A228CBKZ	AZ			Fresh case assy
5-16	FYOK-A229CBKZ	AZ			V-case ass'y
5-17	GFTA-A101CBFA	AN			V-case door
5-18	LSTYPA042CBFA	AT			R-case stay
5-25	LRAL-A092CBFA	AM			Ice room rail
5-42	HGRL-A243CBFB	AS			Base cover [SL]
5-42	HGRL-A243CBFC	AS			Base cover [BE]
5-42	HGRL-A243CBFE	AS			Base cover [WH]

[23] SJF78PE CABINET2



NO.	PARTS CODE	PRICE RANK	NEW MARK	PART RANK	DESCRIPTION
[23] SJF78PE CABINET2					
1-1	RH-HXA066CBZZ	AT			F-thermistor
1-3	RH-HXA065CBZZ	AT			R-thermistor
1-4	DTHM-A031CBKZ	AX			Damper ass'y
1-5	RH-HXA067CBZZ	AT			Def-thermistor
1-6	RMOTRA096CBZZ	BE			F fan motor
1-7	QCNW-B148CBZZ	AK			Lead lamp
1-8	FLMP-A003CBZZ	AM			Lamp ass'y
1-10	QSW-LA015CBZZ	AQ			Reed sw
1-17	FFS-TA087CBKZ	AM			Fuse ass'y
1-21	FHETBA193CBZZ	BA			Defrost heater
1-26	QCNW-B146CBZZ	AK			Lead r-c box
1-27	RMOTRA095CBZZ	BA			R fan motor
1-42	QCNW-B147CBZZ	AF			Lead r-louwer
1-45	FTRN-A014CBKZ	BD			Ionaizer-k
1-52	QCNW-B150CBZZ	AH			Pwb-harness
1-55	FPWB-A424CBKZ	BP			Lcd pwb s ass'y
2-1	HPNL-A440CBTA	AQ			Con-panel t
2-2	GDAI-A078CBTA	AU			Control base
2-16	GCOV-A282CBFA	AV			Ev-cover
2-20	PSEL-C573CBZZ	AE			E.v.pe-al sheet
2-21	PFPPB565CBFZ	AE			Ev-cover insu
2-22	PSEL-C569CBZZ	AC			Ev-cover sealer
2-25	PCOV-A332CBFA	AN			R lamp cover l
2-26	PCOV-A333CBFA	AN			R lamp cover r
2-27	GCOVPA198CBFA	AT			R-c box cover
2-28	HGRL-A244CBFA	AX			Fan louwer
2-34	PFIL-A047CBEZ	AC			Deodorizer
2-37	LHLD-A715CBFA	AF			Screw cover
2-38	PGID-A169CBFZ	AG			R air guider a
2-39	PGID-A170CBFZ	AE			R air guider b
2-47	LHLD-A714CBFZ	AR			Plasma holder
2-55	MLOV-A050CBFA	AV			R-louwer
2-56	PFPPB564CBFZ	AH			R-louwer insu
2-57	PFPPB588CBFZ	AE			R-louwer insu s
2-58	PSEL-C567CBZZ	AC			A-sealer r-lv b
2-66	PSHEMA296CBPZ	AC			Heater cover
2-67	LPLTPA428CBPZ	AQ			Heater support
2-72	PSEL-C562CBZZ	AC			A-sealer rc-a
2-74	PSEL-C564CBZZ	AG			A-sealer rc-c
2-95	LANG-A064CBPZ	AF			Eva holder 75
2-97	PCOV-A340CBFA	AF			R con cover s
2-100	GCOVPA199CBFZ	AF			Connect cover
2-120	GCOV-A279CBFA	AM			F return cover
2-125	LPLTMA738CBPZ	AY			Al panel
2-127	LHLD-A405CBFA	AC			Clip
2-131	JBTN-A030CBMA	AH			Button
2-132	JBTN-A031CBMA	AK			Button l
2-133	JBTN-A032CBMA	AH			Button j
2-138	PSEL-C600CBZZ	AD			Ev-cov.sealer b
2-139	PSEL-C601CBZZ	AE			Ev-cov.sealer c
2-140	PSEL-C640CBZZ	AD			Ev-c sealer l
2-141	PSEL-C661CBZZ	AD			Sealer fm
2-147	LHLD-A713CBFA	AE			Lcd-pwb holder
2-148	PSEL-C669CBZZ	AD			A-sealer rc-d
2-149	PSEL-C081CBEZ	AA			A-sealer ag4
2-150	PSHEMA306CBPZ	AQ			Refraction al
6-12	PEVA-A156CBZZ	BE			Evaporator
6-31	PKYU-A035CBE0	AG			Sp-butyl h
90-2	TLAB-A876CBRZ	AC			Warning label

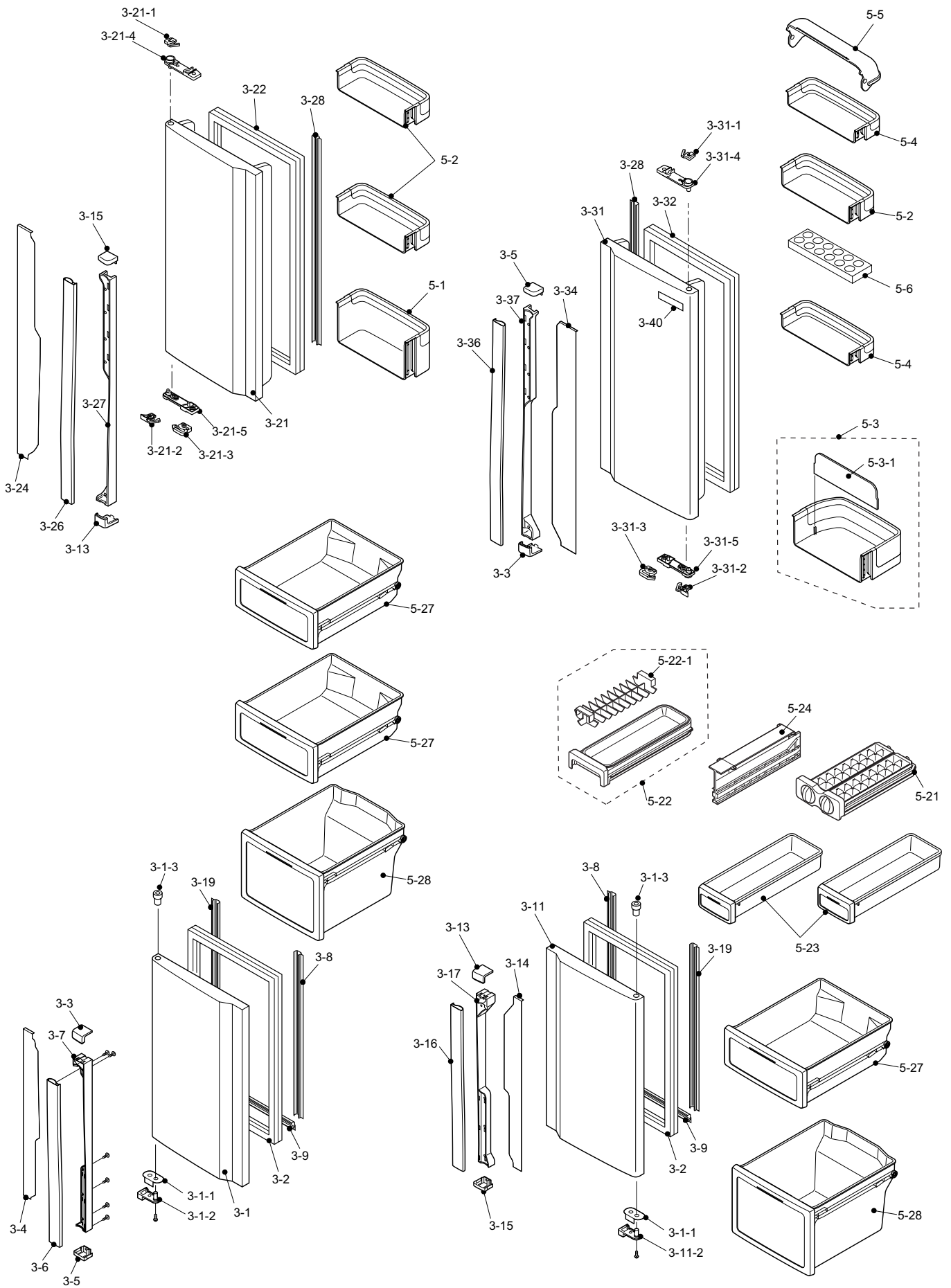
[24] SJF78PE BACK SIDE



NO.	PARTS CODE	PRICE RANK	NEW MARK	PART RANK	DESCRIPTION
[24] SJF78PE BACK SIDE					
1-2	RSTT-A179CBZZ	AR			Ptc relay
1-9	QACC-A173CBZZ	AY			Source cord
1-11	RHOG-A189CBEZ	AZ			Protector
1-22	FCNW-A860CBZZ	AH			Relay wire assy
1-23	QCNW-A916CBZZ	AE			Reray wire sc
1-31	RC-EZA190CBEZ	AW			Running capacitor
1-34	QCNW-A968CBZZ	AC			Earth wire
1-41	RMOTRA097CBZZ	BA			C fan motor
1-50	FPWB-A429CBKZ	BU			Pwb-s ass'y
2-24	GCOVPA200CBFB	AR			Terminal cover
2-51	LHLD-A711CBFA	AQ			Pwb holder

NO.	PARTS CODE	PRICE RANK	NEW MARK	PART RANK	DESCRIPTION
[24] SJF78PE BACK SIDE					
2-77	LHLD-A359CBFA	AE			T-box holder
2-78	LPLTMA399CBP0	AD			Dryer support
2-80	PBOX-A148CBFA	AE			Terminal box
2-87	LBND-A018CBE0	AP			Fastening band a
2-99	PPIPPA126CBFZ	AF			Drain pipe s
2-123	GCOV-A283CBPZ	AH			Comp.cover
2-126	LHLD-A710CBFZ	AH			Cfm frame
2-136	LPLTMA553CBP0	AM			Ev.pan support
2-151	PSEL-C555CBZZ	AD			U-sealer rd
2-152	PSEL-C571CBZZ	AC			Sealer
2-153	PSEL-C662CBZZ	AD			Sealer fm-b
2-154	PCILFA011CBZZ	AC			Emi core esd-r-38
4-1	LBND-A023CBE0	AC			L-band c
4-4	QTAN-A012CBE0	AH			Solderless term. b
4-10	QTAN-A013CBE0	AH			Solderless term. a
4-15	LX-BZA090CBZZ	AC			Special screw
4-17	LX-WZA035CBZZ	AB			Washer
5-41	USRA-A297CBFA	AP			Drain pan
6-1	PCMPLA262CBZZ	CA			Compressor
6-2	PSPAGA054CBEZ	AH			Rubber grommet
6-3	FCONSA101CBZZ	BB			Sub condenser
6-4	FFRM-A145CBKZ	AM			Base frame assy
6-5	FDRY-A006CBK0	AX			Dryer ass'y
6-7	LPLTPA418CBFA	AF			S-con support l
6-8	LPLTPA419CBFA	AF			S-con support r
6-9	PSPAFA047CBEZ	AE			Sleeve
6-10	PPIPCA533CBZZ	AW			Dcp connector
6-11	PPIPCA534CBZZ	AW			Sp-connector
6-17	PPIPCA252CBE0	AD			Charge pipe
6-18	PPIPCA518CBZZ	AE			Chrg pipe hc l
6-30	PKYU-A098CBE0	AG			Compressor butyl
6-32	PGUM-A026CBFZ	AV			Comp. spacer-3
6-40	LHLD-A465CBE0	AG			Cord clip
[25] SJF78PE OTHERS					
90-1	TINS-A711CBRZ	AP			Op-manual
90-3	SPAKCA223CBZZ	BB			Packing case 75
90-6	CPADBA076CBKZ	AU			Bottom pad ass'y
90-7	CPADBA077CBKZ	AU			Top pad ass'y
90-8	TINSEA044CBRZ	AG			Set label
90-12	TLAB-B358CBRZ	AG			Energy label
90-13	TLAB-A637CBR0	AG			Energy label (GB)
90-13	TLAB-A638CBR0	AG			Energy label (D)
90-13	TLAB-A639CBR0	AG			Energy label (F)
90-13	TLAB-A640CBR0	AG			Energy label (E)
90-13	TLAB-A641CBR0	AG			Energy label (I)
90-13	TLAB-A642CBR0	AG			Energy label (GR)
90-13	TLAB-A643CBR0	AG			Energy label (P)
90-13	TLAB-A644CBR0	AG			Energy label (NL)
90-21	TLAB-A939CBRZ	AD			Caution label rof
90-33	TLAB-B220CBRZ	AE			Temp.caution label

[26] SJF79PS DOOR

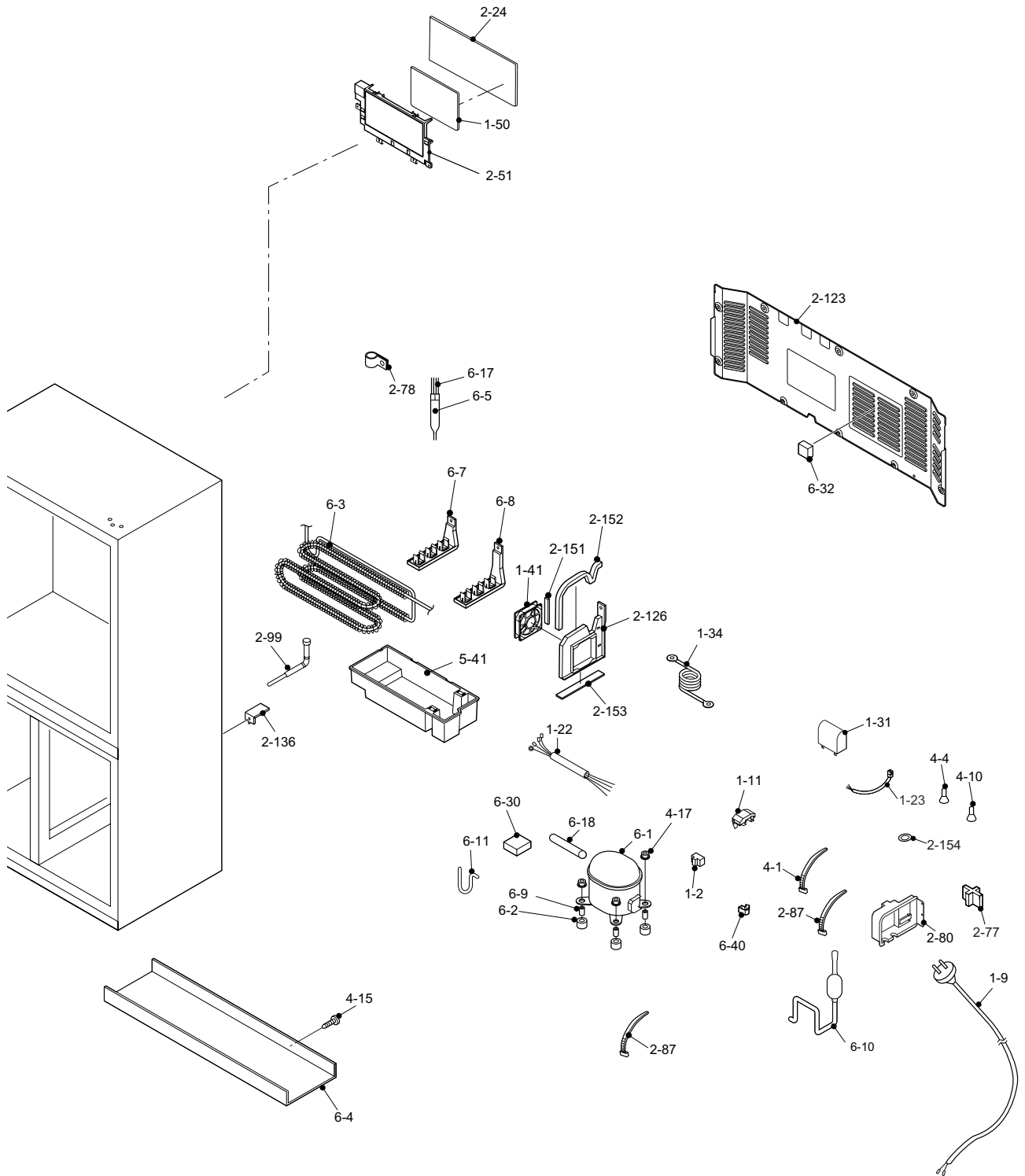


NO.	PARTS CODE	PRICE RANK	NEW MARK	PART RANK	DESCRIPTION
[26] SJF79PS DOOR					
3-1	FDORFB888CBKZ	BV			F-door l ass'y
3-1-1	LSTPMA008CBM0	AD			F-door stopper r
3-1-2	LSTPPA146CBFA	AF			Fd-stp spring l
3-1-3	NBRGPA022CBFA	AC			Nylon bearing 3s
3-2	FPACGA431CBYA	AT			F door packing
3-3	HDECQA499CBTA	AK			Hd-cap rbr
3-4	HDECQA500CBBR	AN			Fd-trim l
3-5	HDECQA505CBTA	AK			Hd-cap rtr
3-6	JHNDPA214CBPA	AG			Fd-handle l
3-7	LPLTPA400CBFE	AU			Hd-base fl
3-8	PPACGA226CBZA	AM			F-sub packing a
3-9	PPACGA227CBZA	AK			F-sub packing b
3-11	FDORFB889CBKZ	BV			F-door r ass'y
3-11-2	LSTPPA147CBFA	AF			Fd-stp spring r
3-13	HDECQA501CBTA	AK			Hd-cap rbl
3-14	HDECQA502CBBR	AN			Fd-trim r
3-15	HDECQA503CBTA	AK			Hd-cap rtl
3-16	JHNDPA215CBPA	AG			Fd-handle r
3-17	LPLTPA401CBFE	AU			Hd-base fr
3-19	PPACGA241CBZA	AK			F-sub packing c
3-21	FDORRB712CBKZ	BZ			R-door l ass'y
3-21-1	LSTPPA150CBFA	AF			Stp-spring tl
3-21-2	LSTPPA151CBFA	AF			Stp-spring bl
3-21-3	LSTPPA152CBFA	AF			R lock spring l
3-21-4	MSLI-A070CBFA	AE			Door cam tl
3-21-5	MSLI-A071CBFA	AE			Door cam bl
3-22	FPACGA432CBYA	AX			R door packin l
3-24	HDECQA504CBBR	AQ			Rd-trim l
3-26	JHNDPA216CBPA	AG			Rd-handle l
3-27	LPLTPA402CBFE	AW			Hd-base rl
3-28	PPACGA229CBZA	AP			R-sub packing
3-31	FDORRB713CBKZ	BZ			R-door r ass'y
3-31-1	LSTPPA148CBFA	AF			Stp-spring tr
3-31-2	LSTPPA149CBFA	AF			Stp-spring br
3-31-3	LSTPPA153CBFA	AF			R lock spring r
3-31-4	MSLI-A068CBFA	AE			Door cam tr
3-31-5	MSLI-A069CBFA	AE			Door cam br
3-32	FPACGA442CBYA	AX			R door packin r
3-34	HDECQA506CBBR	AQ			Rd-trim r
3-36	JHNDPA217CBPA	AG			Rd-handle r
3-37	LPLTPA403CBFE	AW			Hd-base rr
3-40	HBDGDB006CBZA	AZ			Badge
5-1	FPOK-A242CBKZ	AX			Btl-pok l ass'y
5-2	FPOK-A243CBKZ	AV			Door pocket ass'y
5-3	FPOK-A244CBKZ	AZ			Btl-pok r ass'y
5-3-1	LSTYPA044CBFA	AL			B-pok partition
5-4	FPOK-A245CBKZ	AT			Utility pok ass'y
5-5	GDORPA078CBFA	AN			U-pok door
5-6	UTNA-A397CBFA	AH			Egg tray
5-21	FSRA-A244CBYZ	AP			Ice cube maker
5-22	FSRA-A245CBKZ	BM			Quick ice maker
5-22-1	PSKR-A329CBFA	AK			Q-ice parition
5-23	FYOK-A232CBKZ	AV			Ice storage assy
5-24	LSTYPA043CBFA	AW			I-case stay
5-27	FYOK-A231CBKZ	BC			F-case s ass'y
5-28	FYOK-A230CBKZ	BE			F-case l ass'y

NO.	PARTS CODE	PRICE RANK	NEW MARK	PART RANK	DESCRIPTION
[27] SJF79PS CABINET1					
2-3	PCOVPA398CBFA	AR			Hinge cover
2-4	LPLTPA416CBTA	AX			Hinge support-t
2-5	JHNDMA025CBPZ	AE			Carrying bar
2-7	FLEGPA127CBKZ	AN			Leg holder-ls k
2-7-1	FAJS-A028CBKZ	AZ			Adjustable leg ass'y
2-7-2	FLEGPA123CBYZ	AH			Leg holder-lk
2-8	FLEGPA128CBKZ	AN			Leg holder-rs k
2-8-2	FLEGPA124CBYZ	AH			Leg holder-rk
2-36	PCAP-A006CBFW	AB			Screw cover
2-49	LSTPPA108CBFA	AC			Chilled stopper
2-93	PCAP-A068CBFA	AC			C sliding cap a
2-105	DHNG-A537CBMZ	BA			F-hinge lt assy
2-106	DHNG-A538CBMZ	BA			F-hinge rt assy
2-107	DHNG-A539CBMZ	BA			F-hinge lb assy
2-108	DHNG-A540CBMZ	BA			F-hinge rb assy
2-111	FHNG-A231CBMZ	AH			R-hinge lbk
2-112	MSLI-A072CBFA	AE			Hinge cam bl
2-113	FHNG-A232CBMZ	AH			R-hinge rbk
2-114	MSLI-A073CBFA	AE			Hinge cam br
2-115	FHNG-A233CBYZ	AH			R-hinge ltk
2-116	MSLI-A074CBFA	AE			Hinge cam tl
2-117	FHNG-A234CBYZ	AH			R-hinge rtk
2-118	MSLI-A075CBFA	AE			Hinge cam tr
2-119	FPLTPA107CBKZ	AM			Temp.meter ass'y
2-121	GCOV-A280CBFA	AV			F-ret cover bl
2-122	GCOV-A281CBFA	AV			F-ret cover br
2-142	PSEL-C558CBZZ	AD			Sealer c
2-143	PSEL-C559CBZZ	AD			Sealer d
2-144	PSEL-C560CBZZ	AD			Sealer e
2-145	PSKR-A327CBFA	AU			V-partition lfb
2-146	PSKR-A328CBFA	AU			V-partition rfb
3-45	PPACGA244CBZA	AF			F-sub packing d
4-21	LX-TZA091CBTA	AE			Special screw
5-11	FTNA-A418CBKZ	BE			R-shelf ass'y
5-11-1	UTNA-A396CBRA	AY			R-glass shelf
5-11-2	UWAKPA019CBFA	AM			G guard rb
5-11-3	UWAKPA021CBFA	AT			G guard r
5-11-4	LPLTMA753CBPZ	AP			R shelf support
5-12	FTNA-A417CBKZ	AZ			V-shelf ass'y
5-12-1	UTNA-A395CBRA	AY			V-glass shelf
5-12-2	UWAKPA018CBFA	AL			G guard vb
5-12-3	UWAKPA020CBFA	AT			G guard v
5-13	FTNA-A419CBKZ	AR			Bttl rack ass'y
5-13-1	LHLD-A712CBFA	AK			B-r holder
5-13-2	NSFT-A041CBFA	AE			B-r shaft
5-13-3	UTNA-A398CBFA	AK			Bottle rack
5-14	FYOK-A227CBKZ	AZ			Fruit case assy
5-15	FYOK-A228CBKZ	AZ			Fresh case assy
5-16	FYOK-A229CBKZ	AZ			V-case ass'y
5-17	GFTA-A101CBFA	AN			V-case door
5-18	LSTYPA042CBFA	AT			R-case stay
5-25	LRAL-A092CBFA	AM			Ice room rail
5-42	HGRL-A243CBFA	AS			Base cover

NO.	PARTS CODE	PRICE RANK	NEW MARK	PART RANK	DESCRIPTION
[28] SJF79PS CABINET2					
1-1	RH-HXA066CBZZ	AT			F-thermistor
1-3	RH-HXA065CBZZ	AT			R-thermistor
1-4	DTHM-A031CBKZ	AX			Damper ass'y
1-5	RH-HXA067CBZZ	AT			Def-thermistor
1-6	RMOTRA096CBZZ	BE			F fan motor
1-7	QCNW-B148CBZZ	AK			Lead lamp
1-8	FLMP-A003CBZZ	AM			Lamp ass'y
1-10	QSW-LA015CBZZ	AQ			Reed sw
1-17	FFS-TA087CBKZ	AM			Fuse ass'y
1-21	FHETBA193CBZZ	BA			Defrost heater
1-26	QCNW-B146CBZZ	AK			Lead r-c box
1-27	RMOTRA095CBZZ	BA			R fan motor
1-42	QCNW-B147CBZZ	AF			Lead r-louwer
1-45	FTRN-A014CBKZ	BD			Ionaizer-k
1-52	QCNW-B150CBZZ	AH			Pwb-harness
1-55	FPWB-A424CBKZ	BP			Lcd pwb s ass'y
2-1	HPNL-A440CBTA	AQ			Con-panel t
2-2	GDAI-A078CBTA	AU			Control base
2-16	GCOV-A282CBFA	AV			Ev-cover
2-20	PSEL-C573CBZZ	AE			E.v.pe-al sheet
2-21	PFPPB565CBFZ	AE			Ev-cover insu
2-22	PSEL-C569CBZZ	AC			Ev-cover sealer
2-25	PCOV-A332CBFA	AN			R lamp cover l
2-26	PCOV-A333CBFA	AN			R lamp cover r
2-27	GCOVPA198CBFA	AT			R-c box cover
2-28	HGRL-A244CBFA	AX			Fan louwer
2-34	PFIL-A047CBEZ	AC			Deodorizer
2-37	LHLD-A715CBFA	AF			Screw cover
2-38	PGID-A169CBFZ	AG			R air guider a
2-39	PGID-A170CBFZ	AE			R air guider b
2-47	LHLD-A714CBFZ	AR			Plasma holder
2-55	MLOV-A050CBFA	AV			R-louwer
2-56	PFPPB564CBFZ	AH			R-louwer insu
2-57	PFPPB588CBFZ	AE			R-louwer insu s
2-58	PSEL-C566CBZZ	AC			A-sealer r-lv a
2-66	PSHEMA296CBPZ	AC			Heater cover
2-67	LPLTPA428CBPZ	AQ			Heater support
2-72	PSEL-C562CBZZ	AC			A-sealer rc-a
2-74	PSEL-C564CBZZ	AG			A-sealer rc-c
2-95	LANG-A064CBPZ	AF			Eva holder 75
2-97	PCOV-A340CBFA	AF			R con cover s
2-100	GCOVPA199CBFZ	AF			Connect cover
2-120	GCOV-A279CBFA	AM			F return cover
2-125	LPLTMA738CBPZ	AY			Al panel
2-127	LHLD-A405CBFA	AC			Clip
2-131	JBTN-A030CBMA	AH			Button
2-132	JBTN-A031CBMA	AK			Button l
2-133	JBTN-A032CBMA	AH			Button j
2-138	PSEL-C600CBZZ	AD			Ev-cov.sealer b
2-139	PSEL-C601CBZZ	AE			Ev-cov.sealer c
2-140	PSEL-C640CBZZ	AD			Ev-c sealer l
2-141	PSEL-C661CBZZ	AD			Sealer fm
2-147	LHLD-A713CBFA	AE			Lcd-pwb holder
2-148	PSEL-C669CBZZ	AD			A-sealer rc-d
2-149	PSEL-C081CBEZ	AA			A-sealer ag4
2-150	PSHEMA306CBPZ	AQ			Refraction al
6-12	PEVA-A156CBZZ	BE			Evaporator
6-31	PKYU-A035CBE0	AG			Sp-butyl h
90-2	TLAB-A876CBRZ	AC			Warning label

[29] SJF79PS BACK SIDE



NO.	PARTS CODE	PRICE RANK	NEW MARK	PART RANK	DESCRIPTION
[29] SJF79PS BACK SIDE					
1-2	RSTT-A179CBZZ	AR			Ptc relay
1-9	QACC-A173CBZZ	AY			Source cord
1-11	RHOG-A189CBEZ	AZ			Protector
1-22	FCNW-A860CBZZ	AH			Relay wire assy
1-23	QCNW-A916CBZZ	AE			Reray wire sc
1-31	RC-EZA190CBEZ	AW			Running capacitor
1-34	QCNW-A968CBZZ	AC			Earth wire
1-41	RMOTRA097CBZZ	BA			C fan motor
1-50	FPWB-A429CBKZ	BU			Pwb-s ass'y
2-24	GCOVPA200CBFB	AR			Terminal cover
2-51	LHLD-A711CBFA	AQ			Pwb holder

NO.	PARTS CODE	PRICE RANK	NEW MARK	PART RANK	DESCRIPTION
[29] SJF79PS BACK SIDE					
2-77	LHLD-A359CBFA	AE			T-box holder
2-78	LPLTMA399CBP0	AD			Dryer support
2-80	PBOX-A148CBFA	AE			Terminal box
2-87	LBND-A018CBE0	AP			Fastening band a
2-99	PPIPPA126CBFZ	AF			Drain pipe s
2-123	GCOV-A283CBPZ	AH			Comp.cover
2-126	LHLD-A710CBFZ	AH			Cfm frame
2-136	LPLTMA553CBP0	AM			Ev.pan support
2-151	PSEL-C555CBZZ	AD			U-sealer rd
2-152	PSEL-C571CBZZ	AC			Sealer
2-153	PSEL-C662CBZZ	AD			Sealer fm-b
2-154	PCILFA011CBZZ	AC			Emi core esd-r-38
4-1	LBND-A023CBE0	AC			L-band c
4-4	QTAN-A012CBE0	AH			Solderless term. b
4-10	QTAN-A013CBE0	AH			Solderless term. a
4-15	LX-BZA090CBZZ	AC			Special screw
4-17	LX-WZA035CBZZ	AB			Washer
5-41	USRA-A297CBFA	AP			Drain pan
6-1	PCMPLA262CBZZ	CA			Compressor
6-2	PSPAGA054CBEZ	AH			Rubber grommet
6-3	FCONSA101CBZZ	BB			Sub condenser
6-4	FFRM-A145CBKZ	AM			Base frame assy
6-5	FDRY-A006CBK0	AX			Dryer ass'y
6-7	LPLTPA418CBFA	AF			S-con support l
6-8	LPLTPA419CBFA	AF			S-con support r
6-9	PSPAFA047CBEZ	AE			Sleeve
6-10	PPIPCA533CBZZ	AW			Dcp connector
6-11	PPIPCA534CBZZ	AW			Sp-connector
6-17	PPIPCA252CBE0	AD			Charge pipe
6-18	PPIPCA518CBZZ	AE			Chrg pipe hc l
6-30	PKYU-A098CBE0	AG			Compressor butyl
6-32	PGUM-A026CBFZ	AV			Comp. spacer-3
6-40	LHLD-A465CBE0	AG			Cord clip
[30] SJF79PS OTHERS					
90-1	TINS-A711CBRZ	AP			Op-manual
90-3	SPAKCA223CBZZ	BB			Packing case 75
90-6	CPADBA076CBKZ	AU			Bottom pad ass'y
90-7	CPADBA077CBKZ	AU			Top pad ass'y
90-8	TINSEA044CBRZ	AG			Set label
90-12	TLAB-B358CBRZ	AG			Energy label
90-13	TLAB-A637CBR0	AG			Energy label (GB)
90-13	TLAB-A638CBR0	AG			Energy label (D)
90-13	TLAB-A639CBR0	AG			Energy label (F)
90-13	TLAB-A640CBR0	AG			Energy label (E)
90-13	TLAB-A641CBR0	AG			Energy label (I)
90-13	TLAB-A642CBR0	AG			Energy label (GR)
90-13	TLAB-A643CBR0	AG			Energy label (P)
90-13	TLAB-A644CBR0	AG			Energy label (NL)
90-21	TLAB-A939CBRZ	AD			Caution label rof
90-33	TLAB-B220CBRZ	AE			Temp.caution label

INDEX

PARTS CODE	No.	PRICE RANK	NEW MARK	PART RANK
[C]				
CPADBA076CBKZ	5-90-6	AU		
"	10-90-6	AU		
"	15-90-6	AU		
"	20-90-6	AU		
"	25-90-6	AU		
"	30-90-6	AU		
CPADBA077CBKZ	5-90-7	AU		
"	10-90-7	AU		
"	15-90-7	AU		
"	20-90-7	AU		
"	25-90-7	AU		
"	30-90-7	AU		
[D]				
DHNG-A537CBMZ	2-2-105	BA		
"	7-2-105	BA		
"	12-2-105	BA		
"	17-2-105	BA		
"	22-2-105	BA		
"	27-2-105	BA		
DHNG-A538CBMZ	2-2-106	BA		
"	7-2-106	BA		
"	12-2-106	BA		
"	17-2-106	BA		
"	22-2-106	BA		
"	27-2-106	BA		
DHNG-A539CBMZ	2-2-107	BA		
"	7-2-107	BA		
"	12-2-107	BA		
"	17-2-107	BA		
"	22-2-107	BA		
"	27-2-107	BA		
DHNG-A540CBMZ	2-2-108	BA		
"	7-2-108	BA		
"	12-2-108	BA		
"	17-2-108	BA		
"	22-2-108	BA		
"	27-2-108	BA		
DTHM-A031CBKZ	3-1-4	AX		
"	8-1-4	AX		
"	13-1-4	AX		
"	18-1-4	AX		
"	23-1-4	AX		
"	28-1-4	AX		
[F]				
FAJS-A028CBKZ	2-2-7-1	AZ		
"	7-2-7-1	AZ		
"	12-2-7-1	AZ		
"	17-2-7-1	AZ		
"	22-2-7-1	AZ		
"	27-2-7-1	AZ		
FCNW-A860CBZZ	4-1-22	AH		
"	9-1-22	AH		
"	14-1-22	AH		
"	19-1-22	AH		
"	24-1-22	AH		
"	29-1-22	AH		
FCNSA101CBZZ	4-6-3	BB		
"	9-6-3	BB		
"	14-6-3	BB		
"	19-6-3	BB		
"	24-6-3	BB		
"	29-6-3	BB		
FDORFB888CBKZ	11-3-1	BV		
"	26-3-1	BV		
FDORFB889CBKZ	11-3-11	BV		
"	26-3-11	BV		
FDORFB904CBKZ	1-3-1	BQ		
"	6-3-1	BQ		
"	16-3-1	BQ		
"	21-3-1	BQ		
FDORFB905CBKZ	1-3-11	BQ		
"	6-3-11	BQ		
"	16-3-11	BQ		
"	21-3-11	BQ		
FDORFB906CBKZ	1-3-1	BQ		
"	6-3-1	BQ		
"	16-3-1	BQ		
"	21-3-1	BQ		

PARTS CODE	No.	PRICE RANK	NEW MARK	PART RANK
FDORFB907CBKZ	1-3-11	BQ		
"	6-3-11	BQ		
"	16-3-11	BQ		
"	21-3-11	BQ		
FDORFB908CBKZ	1-3-1	BQ		
"	6-3-1	BQ		
"	16-3-1	BQ		
"	21-3-1	BQ		
FDORFB909CBKZ	1-3-11	BQ		
"	6-3-11	BQ		
"	16-3-11	BQ		
"	21-3-11	BQ		
FDORRB712CBKZ	26-3-21	BZ		
FDORRB713CBKZ	26-3-31	BZ		
FDORRB714CBKZ	11-3-21	BZ		
FDORRB715CBKZ	11-3-31	BZ		
FDORRB735CBKZ	16-3-21	BS		
"	21-3-21	BS		
FDORRB736CBKZ	16-3-31	BS		
"	21-3-31	BS		
FDORRB737CBKZ	1-3-21	BR		
"	6-3-21	BR		
FDORRB738CBKZ	1-3-31	BR		
"	6-3-31	BR		
FDORRB739CBKZ	16-3-21	BR		
"	21-3-21	BR		
FDORRB740CBKZ	16-3-31	BR		
"	21-3-31	BR		
FDORRB741CBKZ	16-3-21	BS		
"	21-3-21	BS		
FDORRB742CBKZ	16-3-31	BS		
"	21-3-31	BS		
FDORRB743CBKZ	1-3-21	BR		
"	6-3-21	BR		
FDORRB744CBKZ	1-3-21	BR		
"	6-3-21	BR		
FDORRB745CBKZ	1-3-31	BR		
"	6-3-31	BR		
FDORRB746CBKZ	1-3-31	BR		
"	6-3-31	BR		
FDRY-A006CBK0	4-6-5	AX		
"	9-6-5	AX		
"	14-6-5	AX		
"	19-6-5	AX		
"	24-6-5	AX		
"	29-6-5	AX		
FFRM-A145CBKZ	4-6-4	AM		
"	9-6-4	AM		
"	14-6-4	AM		
"	19-6-4	AM		
"	24-6-4	AM		
"	29-6-4	AM		
FFS-TA087CBKZ	3-1-17	AM		
"	8-1-17	AM		
"	13-1-17	AM		
"	18-1-17	AM		
"	23-1-17	AM		
"	28-1-17	AM		
FHETBA193CBZZ	3-1-21	BA		
"	8-1-21	BA		
"	13-1-21	BA		
"	18-1-21	BA		
"	23-1-21	BA		
"	28-1-21	BA		
FHNG-A231CBMZ	2-2-111	AH		
"	7-2-111	AH		
"	12-2-111	AH		
"	17-2-111	AH		
"	22-2-111	AH		
"	27-2-111	AH		
FHNG-A232CBMZ	2-2-113	AH		
"	7-2-113	AH		
"	12-2-113	AH		
"	17-2-113	AH		
"	22-2-113	AH		
"	27-2-113	AH		
FHNG-A233CBYZ	2-2-115	AH		
"	7-2-115	AH		
"	12-2-115	AH		
"	17-2-115	AH		

SJF79PSSL

PARTS CODE	No.	PRICE RANK	NEW MARK	PART RANK
"	22-2-115	AH		
"	27-2-115	AH		
FHNG-A234CBYZ	2-2-117	AH		
"	7-2-117	AH		
"	12-2-117	AH		
"	17-2-117	AH		
"	22-2-117	AH		
"	27-2-117	AH		
FLEGA123CBYZ	2-2-7-2	AH		
"	7-2-7-2	AH		
"	12-2-7-2	AH		
"	17-2-7-2	AH		
"	22-2-7-2	AH		
"	27-2-7-2	AH		
FLEGA124CBYZ	2-2-8-2	AH		
"	7-2-8-2	AH		
"	12-2-8-2	AH		
"	17-2-8-2	AH		
"	22-2-8-2	AH		
"	27-2-8-2	AH		
FLEGA127CBKZ	2-2-7	AN		
"	7-2-7	AN		
"	12-2-7	AN		
"	17-2-7	AN		
"	22-2-7	AN		
"	27-2-7	AN		
FLEGA128CBKZ	2-2-8	AN		
"	7-2-8	AN		
"	12-2-8	AN		
"	17-2-8	AN		
"	22-2-8	AN		
"	27-2-8	AN		
FLMP-A003CBZZ	3-1-8	AM		
"	8-1-8	AM		
"	13-1-8	AM		
"	18-1-8	AM		
"	23-1-8	AM		
"	28-1-8	AM		
FPACGA431CBYA	1-3-2	AT		
"	6-3-2	AT		
"	11-3-2	AT		
"	16-3-2	AT		
"	21-3-2	AT		
"	26-3-2	AT		
FPACGA432CBYA	16-3-22	AX		
"	21-3-22	AX		
"	26-3-22	AX		
FPACGA433CBYZ	1-3-22	AW		
"	6-3-22	AW		
"	11-3-22	AW		
FPACGA442CBYA	16-3-32	AX		
"	21-3-32	AX		
"	26-3-32	AX		
FPACGA443CBYZ	1-3-32	AX		
"	6-3-32	AX		
"	11-3-32	AX		
FPLTPA107CBKZ	2-2-119	AM		
"	7-2-119	AM		
"	12-2-119	AM		
"	17-2-119	AM		
"	22-2-119	AM		
"	27-2-119	AM		
FPOK-A242CBKZ	1-5-1	AX		
"	6-5-1	AX		
"	11-5-1	AX		
"	16-5-1	AX		
"	21-5-1	AX		
"	26-5-1	AX		
FPOK-A243CBKZ	1-5-2	AV		
"	6-5-2	AV		
"	11-5-2	AV		
"	16-5-2	AV		
"	21-5-2	AV		
"	26-5-2	AV		
FPOK-A244CBKZ	1-5-3	AZ		
"	6-5-3	AZ		
"	11-5-3	AZ		
"	16-5-3	AZ		
"	21-5-3	AZ		
"	26-5-3	AZ		
FPOK-A245CBKZ	1-5-4	AT		
"	6-5-4	AT		

PARTS CODE	No.	PRICE RANK	NEW MARK	PART RANK
"	11-5-4	AT		
"	16-5-4	AT		
"	21-5-4	AT		
"	26-5-4	AT		
FPWB-A424CBKZ	8-1-55	BP		
"	13-1-55	BP		
"	23-1-55	BP		
"	28-1-55	BP		
FPWB-A429CBKZ	4-1-50	BU		
"	9-1-50	BU		
"	14-1-50	BU		
"	19-1-50	BU		
"	24-1-50	BU		
"	29-1-50	BU		
FPWB-A438CBKZ	3-1-55	BR		
"	18-1-55	BR		
FSRA-A244CBYZ	1-5-21	AP		
"	6-5-21	AP		
"	11-5-21	AP		
"	16-5-21	AP		
"	21-5-21	AP		
"	26-5-21	AP		
FSRA-A245CBKZ	11-5-22	BM		
"	26-5-22	BM		
FTNA-A417CBKZ	2-5-12	AZ		
"	7-5-12	AZ		
"	12-5-12	AZ		
"	17-5-12	AZ		
"	22-5-12	AZ		
"	27-5-12	AZ		
FTNA-A418CBKZ	2-5-11	BE		
"	7-5-11	BE		
"	12-5-11	BE		
"	17-5-11	BE		
"	22-5-11	BE		
"	27-5-11	BE		
FTNA-A419CBKZ	7-5-13	AR		
"	12-5-13	AR		
"	22-5-13	AR		
"	27-5-13	AR		
FTRN-A014CBKZ	3-1-45	BD		
"	8-1-45	BD		
"	13-1-45	BD		
"	18-1-45	BD		
"	23-1-45	BD		
"	28-1-45	BD		
FYOK-A227CBKZ	2-5-14	AZ		
"	7-5-14	AZ		
"	12-5-14	AZ		
"	17-5-14	AZ		
"	22-5-14	AZ		
"	27-5-14	AZ		
FYOK-A228CBKZ	2-5-15	AZ		
"	7-5-15	AZ		
"	12-5-15	AZ		
"	17-5-15	AZ		
"	22-5-15	AZ		
"	27-5-15	AZ		
FYOK-A229CBKZ	2-5-16	AZ		
"	7-5-16	AZ		
"	12-5-16	AZ		
"	17-5-16	AZ		
"	22-5-16	AZ		
"	27-5-16	AZ		
FYOK-A230CBKZ	1-5-28	BE		
"	6-5-28	BE		
"	11-5-28	BE		
"	16-5-28	BE		
"	21-5-28	BE		
"	26-5-28	BE		
FYOK-A231CBKZ	1-5-27	BC		
"	6-5-27	BC		
"	11-5-27	BC		
"	16-5-27	BC		
"	21-5-27	BC		
"	26-5-27	BC		
FYOK-A232CBKZ	1-5-23	AV		
"	6-5-23	AV		
"	11-5-23	AV		
"	16-5-23	AV		
"	21-5-23	AV		
"	26-5-23	AV		

PARTS CODE	No.	PRICE RANK	NEW MARK	PART RANK
[G]				
GCOV-A279CBFA	3-2-120	AM		
"	8-2-120	AM		
"	13-2-120	AM		
"	18-2-120	AM		
"	23-2-120	AM		
"	28-2-120	AM		
GCOV-A280CBFA	2-2-121	AV		
"	7-2-121	AV		
"	12-2-121	AV		
"	17-2-121	AV		
"	22-2-121	AV		
"	27-2-121	AV		
GCOV-A281CBFA	2-2-122	AV		
"	7-2-122	AV		
"	12-2-122	AV		
"	17-2-122	AV		
"	22-2-122	AV		
"	27-2-122	AV		
GCOV-A282CBFA	3-2-16	AV		
"	8-2-16	AV		
"	13-2-16	AV		
"	18-2-16	AV		
"	23-2-16	AV		
"	28-2-16	AV		
GCOV-A283CBPZ	4-2-123	AH		
"	9-2-123	AH		
"	14-2-123	AH		
"	19-2-123	AH		
"	24-2-123	AH		
"	29-2-123	AH		
GCOVPA198CBFA	3-2-27	AT		
"	8-2-27	AT		
"	13-2-27	AT		
"	18-2-27	AT		
"	23-2-27	AT		
"	28-2-27	AT		
GCOVPA199CBFZ	3-2-100	AF		
"	8-2-100	AF		
"	13-2-100	AF		
"	18-2-100	AF		
"	23-2-100	AF		
"	28-2-100	AF		
GCOVPA200CBFB	4-2-24	AR		
"	9-2-24	AR		
"	14-2-24	AR		
"	19-2-24	AR		
"	24-2-24	AR		
"	29-2-24	AR		
GDAI-A078CBTA	3-2-2	AU		
"	8-2-2	AU		
"	13-2-2	AU		
"	18-2-2	AU		
"	23-2-2	AU		
"	28-2-2	AU		
GDORPA078CBFA	1-5-5	AN		
"	6-5-5	AN		
"	11-5-5	AN		
"	16-5-5	AN		
"	21-5-5	AN		
"	26-5-5	AN		
GFTA-A101CBFA	2-5-17	AN		
"	7-5-17	AN		
"	12-5-17	AN		
"	17-5-17	AN		
"	22-5-17	AN		
"	27-5-17	AN		
[H]				
HBDGDB006CBZA	1-3-40	AZ		
"	6-3-40	AZ		
"	11-3-40	AZ		
"	16-3-40	AZ		
"	21-3-40	AZ		
"	26-3-40	AZ		
HDECQA499CBTA	1-3-3	AK		
"	6-3-3	AK		
"	11-3-3	AK		
"	16-3-3	AK		
"	21-3-3	AK		
"	26-3-3	AK		
HDECQA500CBRB	6-3-4	AN		
"	11-3-4	AN		

PARTS CODE	No.	PRICE RANK	NEW MARK	PART RANK
"	21-3-4	AN		
"	26-3-4	AN		
HDECQA501CBTA	1-3-13	AK		
"	6-3-13	AK		
"	11-3-13	AK		
"	16-3-13	AK		
"	21-3-13	AK		
"	26-3-13	AK		
HDECQA502CBRB	6-3-14	AN		
"	11-3-14	AN		
"	16-3-14	AN		
"	21-3-14	AN		
"	26-3-14	AN		
HDECQA503CBTA	1-3-15	AK		
"	6-3-15	AK		
"	11-3-15	AK		
"	16-3-15	AK		
"	21-3-15	AK		
"	26-3-15	AK		
HDECQA504CBRB	21-3-24	AQ		
"	26-3-24	AQ		
HDECQA505CBTA	1-3-5	AK		
"	6-3-5	AK		
"	11-3-5	AK		
"	16-3-5	AK		
"	21-3-5	AK		
"	26-3-5	AK		
HDECQA506CBRB	21-3-34	AQ		
"	26-3-34	AQ		
HDECQA507CBRB	6-3-24	AQ		
"	11-3-24	AQ		
HDECQA508CBRB	6-3-34	AQ		
"	11-3-34	AQ		
HGRL-A243CBFA	12-5-42	AS		
"	17-5-42	AS		
HGRL-A243CBFB	2-5-42	AS		
"	7-5-42	AS		
"	12-5-42	AS		
"	17-5-42	AS		
"	22-5-42	AS		
HGRL-A243CBFC	2-5-42	AS		
"	7-5-42	AS		
"	12-5-42	AS		
"	17-5-42	AS		
"	22-5-42	AS		
HGRL-A243CBFE	2-5-42	AS		
"	7-5-42	AS		
"	12-5-42	AS		
"	17-5-42	AS		
"	22-5-42	AS		
HGRL-A244CBFA	3-2-28	AX		
"	8-2-28	AX		
"	13-2-28	AX		
"	18-2-28	AX		
"	23-2-28	AX		
"	28-2-28	AX		
HPNL-A440CBTA	8-2-1	AQ		
"	13-2-1	AQ		
"	18-2-1	AQ		
"	23-2-1	AQ		
"	28-2-1	AQ		
HPNL-A441CBTA	3-2-1	AP		
"	8-2-1	AP		
[J]				
JBTN-A030CBMA	3-2-131	AH		
"	8-2-131	AH		
"	13-2-131	AH		
"	18-2-131	AH		
"	23-2-131	AH		
"	28-2-131	AH		
JBTN-A031CBMA	8-2-132	AK		
"	13-2-132	AK		
"	18-2-132	AK		
"	23-2-132	AK		
"	28-2-132	AK		
JBTN-A032CBMA	3-2-133	AH		
"	8-2-133	AH		
"	13-2-133	AH		
"	18-2-133	AH		
"	23-2-133	AH		
"	28-2-133	AH		
JBTN-A033CBMA	3-2-132	AX		
"	8-2-132	AX		
JHNDMA025CBPZ	2-2-5	AE		
"	7-2-5	AE		
"	12-2-5	AE		
"	17-2-5	AE		
"	22-2-5	AE		

SJF79PSSL

PARTS CODE	No.	PRICE RANK	NEW MARK	PART RANK
"	27-2-5	AE		
JHNDPA214CBPA	6-3-6	AG		
"	11-3-6	AG		
"	21-3-6	AG		
"	26-3-6	AG		
JHNDPA215CBPA	6-3-16	AG		
"	11-3-16	AG		
"	21-3-16	AG		
"	26-3-16	AG		
JHNDPA216CBPA	21-3-26	AG		
"	26-3-26	AG		
JHNDPA217CBPA	21-3-36	AG		
"	26-3-36	AG		
JHNDPA218CBPA	6-3-26	AK		
"	11-3-26	AK		
JHNDPA219CBPA	6-3-36	AK		
"	11-3-36	AK		
JHNDPA220CBPA	1-3-6	BG		
"	16-3-6	BG		
JHNDPA221CBPA	1-3-16	BG		
"	16-3-16	BG		
JHNDPA222CBPA	16-3-26	BH		
JHNDPA223CBPA	16-3-36	BH		
JHNDPA224CBPA	1-3-26	BK		
JHNDPA225CBPA	1-3-36	BK		
[L]				
LANG-A064CBPZ	3-2-95	AF		
"	8-2-95	AF		
"	13-2-95	AF		
"	18-2-95	AF		
"	23-2-95	AF		
"	28-2-95	AF		
LBND-A018CBE0	4-2-87	AP		
"	9-2-87	AP		
"	14-2-87	AP		
"	19-2-87	AP		
"	24-2-87	AP		
"	29-2-87	AP		
LBND-A023CBE0	4-4-1	AC		
"	9-4-1	AC		
"	14-4-1	AC		
"	19-4-1	AC		
"	24-4-1	AC		
"	29-4-1	AC		
LHLD-A359CBFA	4-2-77	AE		
"	9-2-77	AE		
"	14-2-77	AE		
"	19-2-77	AE		
"	24-2-77	AE		
"	29-2-77	AE		
LHLD-A405CBEA	3-2-127	AC		
"	8-2-127	AC		
"	13-2-127	AC		
"	18-2-127	AC		
"	23-2-127	AC		
"	28-2-127	AC		
LHLD-A465CBE0	4-6-40	AG		
"	9-6-40	AG		
"	14-6-40	AG		
"	19-6-40	AG		
"	24-6-40	AG		
"	29-6-40	AG		
LHLD-A710CBFZ	4-2-126	AH		
"	9-2-126	AH		
"	14-2-126	AH		
"	19-2-126	AH		
"	24-2-126	AH		
"	29-2-126	AH		
LHLD-A711CBFA	4-2-51	AQ		
"	9-2-51	AQ		
"	14-2-51	AQ		
"	19-2-51	AQ		
"	24-2-51	AQ		
"	29-2-51	AQ		
LHLD-A712CBFA	7-5-13-1	AK		
"	12-5-13-1	AK		
"	22-5-13-1	AK		
"	27-5-13-1	AK		
LHLD-A713CBFA	3-2-147	AE		
"	8-2-147	AE		
"	13-2-147	AE		
"	18-2-147	AE		

PARTS CODE	No.	PRICE RANK	NEW MARK	PART RANK
"	23-2-147	AE		
"	28-2-147	AE		
LHLD-A714CBFZ	3-2-47	AR		
"	8-2-47	AR		
"	13-2-47	AR		
"	18-2-47	AR		
"	23-2-47	AR		
"	28-2-47	AR		
LHLD-A715CBFA	3-2-37	AF		
"	8-2-37	AF		
"	13-2-37	AF		
"	18-2-37	AF		
"	23-2-37	AF		
"	28-2-37	AF		
LPLTMA399CBP0	4-2-78	AD		
"	9-2-78	AD		
"	14-2-78	AD		
"	19-2-78	AD		
"	24-2-78	AD		
"	29-2-78	AD		
LPLTMA553CBP0	4-2-136	AM		
"	9-2-136	AM		
"	14-2-136	AM		
"	19-2-136	AM		
"	24-2-136	AM		
"	29-2-136	AM		
LPLTMA738CBPZ	18-2-125	AY		
"	23-2-125	AY		
"	28-2-125	AY		
LPLTMA741CBPZ	3-2-125	AY		
"	8-2-125	AY		
"	13-2-125	AY		
LPLTMA753CBPZ	2-5-11-4	AP		
"	7-5-11-4	AP		
"	12-5-11-4	AP		
"	17-5-11-4	AP		
"	22-5-11-4	AP		
"	27-5-11-4	AP		
LPLTPA399CBFB	2-2-4	AX		
"	7-2-4	AX		
"	12-2-4	AX		
"	17-2-4	AX		
"	22-2-4	AX		
LPLTPA399CBFC	2-2-4	AX		
"	7-2-4	AX		
"	12-2-4	AX		
"	17-2-4	AX		
LPLTPA400CBFA	1-3-7	AT		
"	6-3-7	AT		
"	11-3-7	AT		
"	16-3-7	AT		
"	21-3-7	AT		
LPLTPA400CBFB	1-3-7	AU		
"	6-3-7	AU		
"	11-3-7	AU		
"	16-3-7	AU		
"	21-3-7	AU		
LPLTPA400CBFC	1-3-7	AU		
"	6-3-7	AU		
"	11-3-7	AU		
"	16-3-7	AU		
"	21-3-7	AU		
LPLTPA400CBFE	11-3-7	AU		
"	16-3-7	AU		
LPLTPA401CBFA	1-3-17	AV		
"	6-3-17	AV		
"	11-3-17	AV		
"	16-3-17	AV		
"	21-3-17	AV		
LPLTPA401CBFB	1-3-17	AU		
"	6-3-17	AU		
"	11-3-17	AU		
"	16-3-17	AU		
"	21-3-17	AU		
LPLTPA401CBFC	1-3-17	AU		
"	6-3-17	AU		
"	11-3-17	AU		
"	16-3-17	AU		
"	21-3-17	AU		
LPLTPA401CBFE	11-3-17	AU		
"	16-3-17	AU		
LPLTPA402CBFA	16-3-27	AV		
"	21-3-27	AV		
LPLTPA402CBFB	16-3-27	AW		
"	21-3-27	AW		
LPLTPA402CBFC	16-3-27	AW		
"	21-3-27	AW		
LPLTPA402CBFE	16-3-27	AW		
LPLTPA403CBFA	16-3-37	AV		

PARTS CODE	No.	PRICE RANK	NEW MARK	PART RANK
"	21-3-37	AV		
LPLTPA403CBFB	16-3-37	AW		
"	21-3-37	AW		
LPLTPA403CBFC	16-3-37	AW		
"	21-3-37	AW		
LPLTPA403CBFE	26-3-37	AW		
LPLTPA406CBFA	1-3-27	AV		
"	6-3-27	AV		
LPLTPA406CBFB	1-3-27	AV		
"	6-3-27	AV		
LPLTPA406CBFC	1-3-27	AV		
LPLTPA406CBFE	6-3-27	AV		
"	11-3-27	AV		
LPLTPA407CBFA	1-3-37	AV		
"	6-3-37	AV		
LPLTPA407CBFB	1-3-37	AV		
"	6-3-37	AV		
LPLTPA407CBFC	1-3-37	AV		
"	6-3-37	AV		
LPLTPA407CBFE	11-3-37	AV		
LPLTPA416CBTA	2-2-4	AX		
"	7-2-4	AX		
"	12-2-4	AX		
"	17-2-4	AX		
"	22-2-4	AX		
"	27-2-4	AX		
LPLTPA418CBFA	4-6-7	AF		
"	9-6-7	AF		
"	14-6-7	AF		
"	19-6-7	AF		
"	24-6-7	AF		
"	29-6-7	AF		
LPLTPA419CBFA	4-6-8	AF		
"	9-6-8	AF		
"	14-6-8	AF		
"	19-6-8	AF		
"	24-6-8	AF		
"	29-6-8	AF		
LPLTPA428CBPZ	3-2-67	AQ		
"	8-2-67	AQ		
"	13-2-67	AQ		
"	18-2-67	AQ		
"	23-2-67	AQ		
"	28-2-67	AQ		
LRAL-A092CBFA	2-5-25	AM		
"	7-5-25	AM		
"	12-5-25	AM		
"	17-5-25	AM		
"	22-5-25	AM		
"	27-5-25	AM		
LSTPMA008CBM0	1-3-1-1	AD		
"	6-3-1-1	AD		
"	11-3-1-1	AD		
"	16-3-1-1	AD		
"	21-3-1-1	AD		
"	26-3-1-1	AD		
LSTPPA108CBFA	2-2-49	AC		
"	7-2-49	AC		
"	12-2-49	AC		
"	17-2-49	AC		
"	22-2-49	AC		
"	27-2-49	AC		
LSTPPA146CBFA	1-3-1-2	AF		
"	6-3-1-2	AF		
"	11-3-1-2	AF		
"	16-3-1-2	AF		
"	21-3-1-2	AF		
"	26-3-1-2	AF		
LSTPPA147CBFA	1-3-11-2	AF		
"	6-3-11-2	AF		
"	11-3-11-2	AF		
"	16-3-11-2	AF		
"	21-3-11-2	AF		
"	26-3-11-2	AF		
LSTPPA148CBFA	1-3-31-1	AF		
"	6-3-31-1	AF		
"	11-3-31-1	AF		
"	16-3-31-1	AF		
"	21-3-31-1	AF		
"	26-3-31-1	AF		
LSTPPA149CBFA	1-3-31-2	AF		
"	6-3-31-2	AF		

PARTS CODE	No.	PRICE RANK	NEW MARK	PART RANK
"	11-3-31-2	AF		
"	16-3-31-2	AF		
"	21-3-31-2	AF		
"	26-3-31-2	AF		
LSTPPA150CBFA	1-3-21-1	AF		
"	6-3-21-1	AF		
"	11-3-21-1	AF		
"	16-3-21-1	AF		
"	21-3-21-1	AF		
"	26-3-21-1	AF		
LSTPPA151CBFA	1-3-21-2	AF		
"	6-3-21-2	AF		
"	11-3-21-2	AF		
"	16-3-21-2	AF		
"	21-3-21-2	AF		
"	26-3-21-2	AF		
LSTPPA152CBFA	1-3-21-3	AF		
"	6-3-21-3	AF		
"	11-3-21-3	AF		
"	16-3-21-3	AF		
"	21-3-21-3	AF		
"	26-3-21-3	AF		
LSTPPA153CBFA	1-3-31-3	AF		
"	6-3-31-3	AF		
"	11-3-31-3	AF		
"	16-3-31-3	AF		
"	21-3-31-3	AF		
"	26-3-31-3	AF		
LSTYPA042CBFA	2-5-18	AT		
"	7-5-18	AT		
"	12-5-18	AT		
"	17-5-18	AT		
"	22-5-18	AT		
"	27-5-18	AT		
LSTYPA043CBFA	1-5-24	AW		
"	6-5-24	AW		
"	11-5-24	AW		
"	16-5-24	AW		
"	21-5-24	AW		
"	26-5-24	AW		
LSTYPA044CBFA	1-5-3-1	AL		
"	6-5-3-1	AL		
"	11-5-3-1	AL		
"	16-5-3-1	AL		
"	21-5-3-1	AL		
"	26-5-3-1	AL		
LX-BZA090CBZZ	4-4-15	AC		
"	9-4-15	AC		
"	14-4-15	AC		
"	19-4-15	AC		
"	24-4-15	AC		
"	29-4-15	AC		
LX-TZA091CBTA	2-4-21	AE		
"	7-4-21	AE		
"	12-4-21	AE		
"	17-4-21	AE		
"	22-4-21	AE		
"	27-4-21	AE		
LX-TZA091CBTC	2-4-21	AE		
"	7-4-21	AE		
"	12-4-21	AE		
"	17-4-21	AE		
"	22-4-21	AE		
LX-TZA091CBTE	2-4-21	AE		
"	7-4-21	AE		
"	12-4-21	AE		
"	17-4-21	AE		
"	22-4-21	AE		
LX-WZA035CBZZ	4-4-17	AB		
"	9-4-17	AB		
"	14-4-17	AB		
"	19-4-17	AB		
"	24-4-17	AB		
"	29-4-17	AB		
[M]				
MLOV-A050CBFA	18-2-55	AV		
"	23-2-55	AV		
"	28-2-55	AV		
MLOV-A051CBFA	3-2-55	AV		
"	8-2-55	AV		
"	13-2-55	AV		
MSLI-A068CBFA	1-3-31-4	AE		
"	6-3-31-4	AE		
"	11-3-31-4	AE		

SJF79PSSL

PARTS CODE	No.	PRICE RANK	NEW MARK	PART RANK
"	16-3-31-4	AE		
"	21-3-31-4	AE		
"	26-3-31-4	AE		
MSLI-A069CBFA	1-3-31-5	AE		
"	6-3-31-5	AE		
"	11-3-31-5	AE		
"	16-3-31-5	AE		
"	21-3-31-5	AE		
"	26-3-31-5	AE		
MSLI-A070CBFA	1-3-21-4	AE		
"	6-3-21-4	AE		
"	11-3-21-4	AE		
"	16-3-21-4	AE		
"	21-3-21-4	AE		
"	26-3-21-4	AE		
MSLI-A071CBFA	1-3-21-5	AE		
"	6-3-21-5	AE		
"	11-3-21-5	AE		
"	16-3-21-5	AE		
"	21-3-21-5	AE		
"	26-3-21-5	AE		
MSLI-A072CBFA	2-2-112	AE		
"	7-2-112	AE		
"	12-2-112	AE		
"	17-2-112	AE		
"	22-2-112	AE		
"	27-2-112	AE		
MSLI-A073CBFA	2-2-114	AE		
"	7-2-114	AE		
"	12-2-114	AE		
"	17-2-114	AE		
"	22-2-114	AE		
"	27-2-114	AE		
MSLI-A074CBFA	2-2-116	AE		
"	7-2-116	AE		
"	12-2-116	AE		
"	17-2-116	AE		
"	22-2-116	AE		
"	27-2-116	AE		
MSLI-A075CBFA	2-2-118	AE		
"	7-2-118	AE		
"	12-2-118	AE		
"	17-2-118	AE		
"	22-2-118	AE		
"	27-2-118	AE		
[N]				
NBRGPA022CBFA	1-3-1-3	AC		
"	6-3-1-3	AC		
"	11-3-1-3	AC		
"	16-3-1-3	AC		
"	21-3-1-3	AC		
"	26-3-1-3	AC		
NSFT-A041CBFA	7-5-13-2	AE		
"	12-5-13-2	AE		
"	22-5-13-2	AE		
"	27-5-13-2	AE		
[P]				
PBOX-A148CBFA	4-2-80	AE		
"	9-2-80	AE		
"	14-2-80	AE		
"	19-2-80	AE		
"	24-2-80	AE		
"	29-2-80	AE		
PCAP-A006CBFW	7-2-36	AB		
"	12-2-36	AB		
"	22-2-36	AB		
"	27-2-36	AB		
PCAP-A068CBFA	2-2-93	AC		
"	7-2-93	AC		
"	12-2-93	AC		
"	17-2-93	AC		
"	22-2-93	AC		
"	27-2-93	AC		
PCILFA011CBZZ	4-2-154	AC		
"	9-2-154	AC		
"	14-2-154	AC		
"	19-2-154	AC		
"	24-2-154	AC		
"	29-2-154	AC		
PCMPLA262CBZZ	4-6-1	CA		
"	9-6-1	CA		
"	14-6-1	CA		

PARTS CODE	No.	PRICE RANK	NEW MARK	PART RANK
"	19-6-1	CA		
"	24-6-1	CA		
"	29-6-1	CA		
PCOV-A332CBFA	18-2-25	AN		
"	23-2-25	AN		
"	28-2-25	AN		
PCOV-A333CBFA	18-2-26	AN		
"	23-2-26	AN		
"	28-2-26	AN		
PCOV-A335CBFA	3-2-25	AM		
"	8-2-25	AM		
"	13-2-25	AM		
PCOV-A336CBFA	3-2-26	AM		
"	8-2-26	AM		
"	13-2-26	AM		
PCOV-A340CBFA	3-2-97	AF		
"	8-2-97	AF		
"	13-2-97	AF		
"	18-2-97	AF		
"	23-2-97	AF		
"	28-2-97	AF		
PCOVPA398CBFA	12-2-3	AR		
"	27-2-3	AR		
PCOVPA398CBFB	2-2-3	AQ		
"	7-2-3	AQ		
"	17-2-3	AQ		
"	22-2-3	AQ		
PCOVPA398CBFC	2-2-3	AQ		
"	7-2-3	AQ		
"	17-2-3	AQ		
"	22-2-3	AQ		
PCOVPA398CBFE	2-2-3	AQ		
"	7-2-3	AQ		
"	17-2-3	AQ		
"	22-2-3	AQ		
PEVA-A156CBZZ	3-6-12	BE		
"	8-6-12	BE		
"	13-6-12	BE		
"	18-6-12	BE		
"	23-6-12	BE		
"	28-6-12	BE		
PFIL-A047CBEZ	3-2-34	AC		
"	8-2-34	AC		
"	13-2-34	AC		
"	18-2-34	AC		
"	23-2-34	AC		
"	28-2-34	AC		
PFPFB564CBFZ	18-2-56	AH		
"	23-2-56	AH		
"	28-2-56	AH		
PFPFB565CBFZ	3-2-21	AE		
"	8-2-21	AE		
"	13-2-21	AE		
"	18-2-21	AE		
"	23-2-21	AE		
"	28-2-21	AE		
PFPFB568CBFZ	3-2-56	AH		
"	8-2-56	AH		
"	13-2-56	AH		
PFPFB588CBFZ	3-2-57	AE		
"	8-2-57	AE		
"	13-2-57	AE		
"	18-2-57	AE		
"	23-2-57	AE		
"	28-2-57	AE		
PGID-A169CBFZ	3-2-38	AG		
"	8-2-38	AG		
"	13-2-38	AG		
"	18-2-38	AG		
"	23-2-38	AG		
"	28-2-38	AG		
PGID-A170CBFZ	3-2-39	AE		
"	8-2-39	AE		
"	13-2-39	AE		
"	18-2-39	AE		
"	23-2-39	AE		
"	28-2-39	AE		
PGUM-A026CBFZ	4-6-32	AV		
"	9-6-32	AV		
"	14-6-32	AV		
"	19-6-32	AV		
"	24-6-32	AV		

PARTS CODE	No.	PRICE RANK	NEW MARK	PART RANK
"	29-6-32	AV		
PKYU-A035CBE0	3-6-31	AG		
"	8-6-31	AG		
"	13-6-31	AG		
"	18-6-31	AG		
"	23-6-31	AG		
"	28-6-31	AG		
PKYU-A098CBE0	4-6-30	AG		
"	9-6-30	AG		
"	14-6-30	AG		
"	19-6-30	AG		
"	24-6-30	AG		
"	29-6-30	AG		
PPACGA226CBZA	1-3-8	AM		
"	6-3-8	AM		
"	11-3-8	AM		
"	16-3-8	AM		
"	21-3-8	AM		
"	26-3-8	AM		
PPACGA227CBZA	1-3-9	AK		
"	6-3-9	AK		
"	11-3-9	AK		
"	16-3-9	AK		
"	21-3-9	AK		
"	26-3-9	AK		
PPACGA229CBZA	16-3-28	AP		
"	21-3-28	AP		
"	26-3-28	AP		
PPACGA234CBZZ	1-3-28	AM		
"	6-3-28	AM		
"	11-3-28	AM		
PPACGA241CBZA	1-3-19	AK		
"	6-3-19	AK		
"	11-3-19	AK		
"	16-3-19	AK		
"	21-3-19	AK		
"	26-3-19	AK		
PPACGA244CBZA	2-3-45	AF		
"	7-3-45	AF		
"	12-3-45	AF		
"	17-3-45	AF		
"	22-3-45	AF		
"	27-3-45	AF		
PPIPCA252CBE0	4-6-17	AD		
"	9-6-17	AD		
"	14-6-17	AD		
"	19-6-17	AD		
"	24-6-17	AD		
"	29-6-17	AD		
PPIPCA518CBZZ	4-6-18	AE		
"	9-6-18	AE		
"	14-6-18	AE		
"	19-6-18	AE		
"	24-6-18	AE		
"	29-6-18	AE		
PPIPCA533CBZZ	4-6-10	AW		
"	9-6-10	AW		
"	14-6-10	AW		
"	19-6-10	AW		
"	24-6-10	AW		
"	29-6-10	AW		
PPIPCA534CBZZ	4-6-11	AW		
"	9-6-11	AW		
"	14-6-11	AW		
"	19-6-11	AW		
"	24-6-11	AW		
"	29-6-11	AW		
PPIPPA126CBFZ	4-2-99	AF		
"	9-2-99	AF		
"	14-2-99	AF		
"	19-2-99	AF		
"	24-2-99	AF		
"	29-2-99	AF		
PSEL-C081CBEZ	3-2-149	AA		
"	8-2-149	AA		
"	13-2-149	AA		
"	18-2-149	AA		
"	23-2-149	AA		
"	28-2-149	AA		
PSEL-C555CBZZ	4-2-151	AD		
"	9-2-151	AD		
"	14-2-151	AD		

PARTS CODE	No.	PRICE RANK	NEW MARK	PART RANK
"	19-2-151	AD		
"	24-2-151	AD		
"	29-2-151	AD		
PSEL-C558CBZZ	2-2-142	AD		
"	7-2-142	AD		
"	12-2-142	AD		
"	17-2-142	AD		
"	22-2-142	AD		
"	27-2-142	AD		
PSEL-C559CBZZ	2-2-143	AD		
"	7-2-143	AD		
"	12-2-143	AD		
"	17-2-143	AD		
"	22-2-143	AD		
"	27-2-143	AD		
PSEL-C560CBZZ	2-2-144	AD		
"	7-2-144	AD		
"	12-2-144	AD		
"	17-2-144	AD		
"	22-2-144	AD		
"	27-2-144	AD		
PSEL-C562CBZZ	3-2-72	AC		
"	8-2-72	AC		
"	13-2-72	AC		
"	18-2-72	AC		
"	23-2-72	AC		
"	28-2-72	AC		
PSEL-C564CBZZ	3-2-74	AG		
"	8-2-74	AG		
"	13-2-74	AG		
"	18-2-74	AG		
"	23-2-74	AG		
"	28-2-74	AG		
PSEL-C566CBZZ	3-2-58	AC		
"	8-2-58	AC		
"	13-2-58	AC		
"	18-2-58	AC		
"	23-2-58	AC		
PSEL-C567CBZZ	18-2-58	AC		
"	23-2-58	AC		
PSEL-C569CBZZ	3-2-22	AC		
"	8-2-22	AC		
"	13-2-22	AC		
"	18-2-22	AC		
"	23-2-22	AC		
"	28-2-22	AC		
PSEL-C571CBZZ	4-2-152	AC		
"	9-2-152	AC		
"	14-2-152	AC		
"	19-2-152	AC		
"	24-2-152	AC		
"	29-2-152	AC		
PSEL-C573CBZZ	3-2-20	AE		
"	8-2-20	AE		
"	13-2-20	AE		
"	18-2-20	AE		
"	23-2-20	AE		
"	28-2-20	AE		
PSEL-C600CBZZ	3-2-138	AD		
"	8-2-138	AD		
"	13-2-138	AD		
"	18-2-138	AD		
"	23-2-138	AD		
"	28-2-138	AD		
PSEL-C601CBZZ	3-2-139	AE		
"	8-2-139	AE		
"	13-2-139	AE		
"	18-2-139	AE		
"	23-2-139	AE		
"	28-2-139	AE		
PSEL-C640CBZZ	3-2-140	AD		
"	8-2-140	AD		
"	13-2-140	AD		
"	18-2-140	AD		
"	23-2-140	AD		
"	28-2-140	AD		
PSEL-C661CBZZ	3-2-141	AD		
"	8-2-141	AD		
"	13-2-141	AD		
"	18-2-141	AD		
"	23-2-141	AD		
"	28-2-141	AD		
PSEL-C662CBZZ	4-2-153	AD		

SJF79PSSL

PARTS CODE	No.	PRICE RANK	NEW MARK	PART RANK
"	9-2-153	AD		
"	14-2-153	AD		
"	19-2-153	AD		
"	24-2-153	AD		
"	29-2-153	AD		
PSEL-C669CBZZ	3-2-148	AD		
"	8-2-148	AD		
"	13-2-148	AD		
"	18-2-148	AD		
"	23-2-148	AD		
"	28-2-148	AD		
PSHEMA296CBPZ	3-2-66	AC		
"	8-2-66	AC		
"	13-2-66	AC		
"	18-2-66	AC		
"	23-2-66	AC		
"	28-2-66	AC		
PSHEMA306CBPZ	3-2-150	AQ		
"	8-2-150	AQ		
"	13-2-150	AQ		
"	18-2-150	AQ		
"	23-2-150	AQ		
"	28-2-150	AQ		
PSKR-A327CBFA	2-2-145	AU		
"	7-2-145	AU		
"	12-2-145	AU		
"	17-2-145	AU		
"	22-2-145	AU		
"	27-2-145	AU		
PSKR-A328CBFA	2-2-146	AU		
"	7-2-146	AU		
"	12-2-146	AU		
"	17-2-146	AU		
"	22-2-146	AU		
"	27-2-146	AU		
PSKR-A329CBFA	11-5-22-1	AK		
"	26-5-22-1	AK		
PSPAF047CBEZ	4-6-9	AE		
"	9-6-9	AE		
"	14-6-9	AE		
"	19-6-9	AE		
"	24-6-9	AE		
"	29-6-9	AE		
PSPAGA054CBEZ	4-6-2	AH		
"	9-6-2	AH		
"	14-6-2	AH		
"	19-6-2	AH		
"	24-6-2	AH		
"	29-6-2	AH		
[Q]				
QACC-A173CBZZ	4-1-9	AY		
"	9-1-9	AY		
"	14-1-9	AY		
"	19-1-9	AY		
"	24-1-9	AY		
"	29-1-9	AY		
QCNW-A916CBZZ	4-1-23	AE		
"	9-1-23	AE		
"	14-1-23	AE		
"	19-1-23	AE		
"	24-1-23	AE		
"	29-1-23	AE		
QCNW-A968CBZZ	4-1-34	AC		
"	9-1-34	AC		
"	14-1-34	AC		
"	19-1-34	AC		
"	24-1-34	AC		
"	29-1-34	AC		
QCNW-B146CBZZ	3-1-26	AK		
"	8-1-26	AK		
"	13-1-26	AK		
"	18-1-26	AK		
"	23-1-26	AK		
"	28-1-26	AK		
QCNW-B147CBZZ	3-1-42	AF		
"	8-1-42	AF		
"	13-1-42	AF		
"	18-1-42	AF		
"	23-1-42	AF		
"	28-1-42	AF		
QCNW-B148CBZZ	3-1-7	AK		
"	8-1-7	AK		

PARTS CODE	No.	PRICE RANK	NEW MARK	PART RANK
"	13-1-7	AK		
"	18-1-7	AK		
"	23-1-7	AK		
"	28-1-7	AK		
QCNW-B150CBZZ	3-1-52	AH		
"	8-1-52	AH		
"	13-1-52	AH		
"	18-1-52	AH		
"	23-1-52	AH		
"	28-1-52	AH		
QSW-LA015CBZZ	3-1-10	AQ		
"	8-1-10	AQ		
"	13-1-10	AQ		
"	18-1-10	AQ		
"	23-1-10	AQ		
"	28-1-10	AQ		
QTAN-A012CBE0	4-4-4	AH		
"	9-4-4	AH		
"	14-4-4	AH		
"	19-4-4	AH		
"	24-4-4	AH		
"	29-4-4	AH		
QTAN-A013CBE0	4-4-10	AH		
"	9-4-10	AH		
"	14-4-10	AH		
"	19-4-10	AH		
"	24-4-10	AH		
"	29-4-10	AH		
[R]				
RC-EZA190CBEZ	4-1-31	AW		
"	9-1-31	AW		
"	14-1-31	AW		
"	19-1-31	AW		
"	24-1-31	AW		
"	29-1-31	AW		
RH-HXA065CBZZ	3-1-3	AT		
"	8-1-3	AT		
"	13-1-3	AT		
"	18-1-3	AT		
"	23-1-3	AT		
"	28-1-3	AT		
RH-HXA066CBZZ	3-1-1	AT		
"	8-1-1	AT		
"	13-1-1	AT		
"	18-1-1	AT		
"	23-1-1	AT		
"	28-1-1	AT		
RH-HXA067CBZZ	3-1-5	AT		
"	8-1-5	AT		
"	13-1-5	AT		
"	18-1-5	AT		
"	23-1-5	AT		
"	28-1-5	AT		
RHOG-A189CBEZ	4-1-11	AZ		
"	9-1-11	AZ		
"	14-1-11	AZ		
"	19-1-11	AZ		
"	24-1-11	AZ		
"	29-1-11	AZ		
RMOTRA095CBZZ	3-1-27	BA		
"	8-1-27	BA		
"	13-1-27	BA		
"	18-1-27	BA		
"	23-1-27	BA		
"	28-1-27	BA		
RMOTRA096CBZZ	3-1-6	BE		
"	8-1-6	BE		
"	13-1-6	BE		
"	18-1-6	BE		
"	23-1-6	BE		
"	28-1-6	BE		
RMOTRA097CBZZ	4-1-41	BA		
"	9-1-41	BA		
"	14-1-41	BA		
"	19-1-41	BA		
"	24-1-41	BA		
"	29-1-41	BA		
RSTT-A179CBZZ	4-1-2	AR		
"	9-1-2	AR		
"	14-1-2	AR		
"	19-1-2	AR		
"	24-1-2	AR		

PARTS CODE	No.	PRICE RANK	NEW MARK	PART RANK
"	29-1-2	AR		
[S]				
SPAKCA223CBZZ	20-90-3	BB		
"	25-90-3	BB		
"	30-90-3	BB		
SPAKCA225CBZZ	5-90-3	BE		
"	10-90-3	BE		
"	15-90-3	BE		
[T]				
TINS-A711CBRZ	5-90-1	AP		
"	10-90-1	AP		
"	15-90-1	AP		
"	20-90-1	AP		
"	25-90-1	AP		
"	30-90-1	AP		
TINSEA044CBRZ	5-90-8	AG		
"	10-90-8	AG		
"	15-90-8	AG		
"	20-90-8	AG		
"	25-90-8	AG		
"	30-90-8	AG		
TLAB-A637CBR0	5-90-13	AG		
"	10-90-13	AG		
"	15-90-13	AG		
"	20-90-13	AG		
"	25-90-13	AG		
"	30-90-13	AG		
TLAB-A638CBR0	5-90-13	AG		
"	10-90-13	AG		
"	15-90-13	AG		
"	20-90-13	AG		
"	25-90-13	AG		
"	30-90-13	AG		
TLAB-A639CBR0	5-90-13	AG		
"	10-90-13	AG		
"	15-90-13	AG		
"	20-90-13	AG		
"	25-90-13	AG		
"	30-90-13	AG		
TLAB-A640CBR0	5-90-13	AG		
"	10-90-13	AG		
"	15-90-13	AG		
"	20-90-13	AG		
"	25-90-13	AG		
"	30-90-13	AG		
TLAB-A641CBR0	5-90-13	AG		
"	10-90-13	AG		
"	15-90-13	AG		
"	20-90-13	AG		
"	25-90-13	AG		
"	30-90-13	AG		
TLAB-A642CBR0	5-90-13	AG		
"	10-90-13	AG		
"	15-90-13	AG		
"	20-90-13	AG		
"	25-90-13	AG		
"	30-90-13	AG		
TLAB-A643CBR0	5-90-13	AG		
"	10-90-13	AG		
"	15-90-13	AG		
"	20-90-13	AG		
"	25-90-13	AG		
"	30-90-13	AG		
TLAB-A644CBR0	5-90-13	AG		
"	10-90-13	AG		
"	15-90-13	AG		
"	20-90-13	AG		
"	25-90-13	AG		
"	30-90-13	AG		
TLAB-A876CBRZ	3-90-2	AC		
"	8-90-2	AC		
"	13-90-2	AC		
"	18-90-2	AC		
"	23-90-2	AC		
"	28-90-2	AC		
TLAB-A939CBRZ	5-90-21	AD		
"	10-90-21	AD		
"	15-90-21	AD		
"	20-90-21	AD		
"	25-90-21	AD		
"	30-90-21	AD		
TLAB-B220CBRZ	5-90-33	AE		

PARTS CODE	No.	PRICE RANK	NEW MARK	PART RANK
"	10-90-33	AE		
"	15-90-33	AE		
"	20-90-33	AE		
"	25-90-33	AE		
"	30-90-33	AE		
TLAB-B358CBRZ	20-90-12	AG		
"	25-90-12	AG		
"	30-90-12	AG		
TLAB-B359CBRZ	5-90-12	AG		
"	10-90-12	AG		
"	15-90-12	AG		
[U]				
USRA-A297CBFA	4-5-41	AP		
"	9-5-41	AP		
"	14-5-41	AP		
"	19-5-41	AP		
"	24-5-41	AP		
"	29-5-41	AP		
UTNA-A395CBRA	2-5-12-1	AY		
"	7-5-12-1	AY		
"	12-5-12-1	AY		
"	17-5-12-1	AY		
"	22-5-12-1	AY		
"	27-5-12-1	AY		
UTNA-A396CBRA	2-5-11-1	AY		
"	7-5-11-1	AY		
"	12-5-11-1	AY		
"	17-5-11-1	AY		
"	22-5-11-1	AY		
"	27-5-11-1	AY		
UTNA-A397CBFA	1-5-6	AH		
"	6-5-6	AH		
"	11-5-6	AH		
"	16-5-6	AH		
"	21-5-6	AH		
"	26-5-6	AH		
UTNA-A398CBFA	7-5-13-3	AK		
"	12-5-13-3	AK		
"	22-5-13-3	AK		
"	27-5-13-3	AK		
UWAKPA018CBFA	2-5-12-2	AL		
"	7-5-12-2	AL		
"	12-5-12-2	AL		
"	17-5-12-2	AL		
"	22-5-12-2	AL		
"	27-5-12-2	AL		
UWAKPA019CBFA	2-5-11-2	AM		
"	7-5-11-2	AM		
"	12-5-11-2	AM		
"	17-5-11-2	AM		
"	22-5-11-2	AM		
"	27-5-11-2	AM		
UWAKPA020CBFA	2-5-12-3	AT		
"	7-5-12-3	AT		
"	12-5-12-3	AT		
"	17-5-12-3	AT		
"	22-5-12-3	AT		
"	27-5-12-3	AT		
UWAKPA021CBFA	2-5-11-3	AT		
"	7-5-11-3	AT		
"	12-5-11-3	AT		
"	17-5-11-3	AT		
"	22-5-11-3	AT		
"	27-5-11-3	AT		

SHARP

**COPYRIGHT © 2006 BY SHARP CORPORATION
ALL RIGHTS RESERVED.**

No Part of this publication may be reproduced, stored in a retrieval system, or transmitted in any form or by any means, electronic, mechanical, photocopying, recording, or otherwise, without prior written permission of the publisher.