

FRU (Field Replaceable Unit) List

This chapter gives you the FRU (Field Replaceable Unit) listing in global configurations of eMachines G720/G520. Refer to this chapter whenever ordering for parts to repair or for RMA (Return Merchandise Authorization).

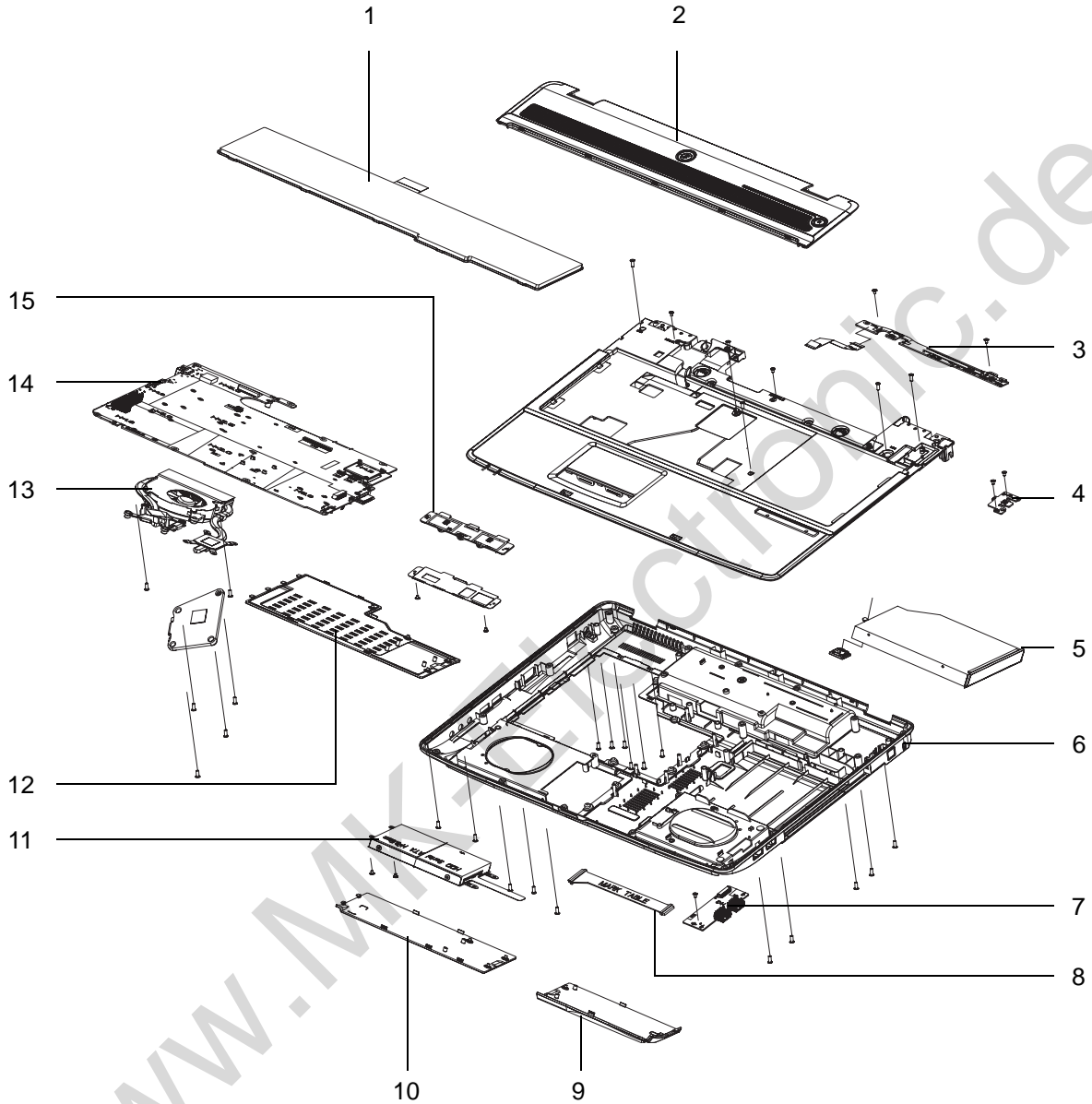
Please note that WHEN ORDERING FRU PARTS, you should check the most up-to-date information available on your regional web or channel. For whatever reasons a part number change is made, it will not be noted on the printed Service Guide. For ACER AUTHORIZED SERVICE PROVIDERS, your Acer office may have a DIFFERENT part number code from those given in the FRU list of this printed Service Guide. You MUST use the local FRU list provided by your regional Acer office to order FRU parts for repair and service of customer machines.

NOTE: To scrap or to return the defective parts, you should follow the local government ordinance or regulations on how to dispose it properly, or follow the rules set by your regional Acer office on how to return it.

www.mk-electronic.de

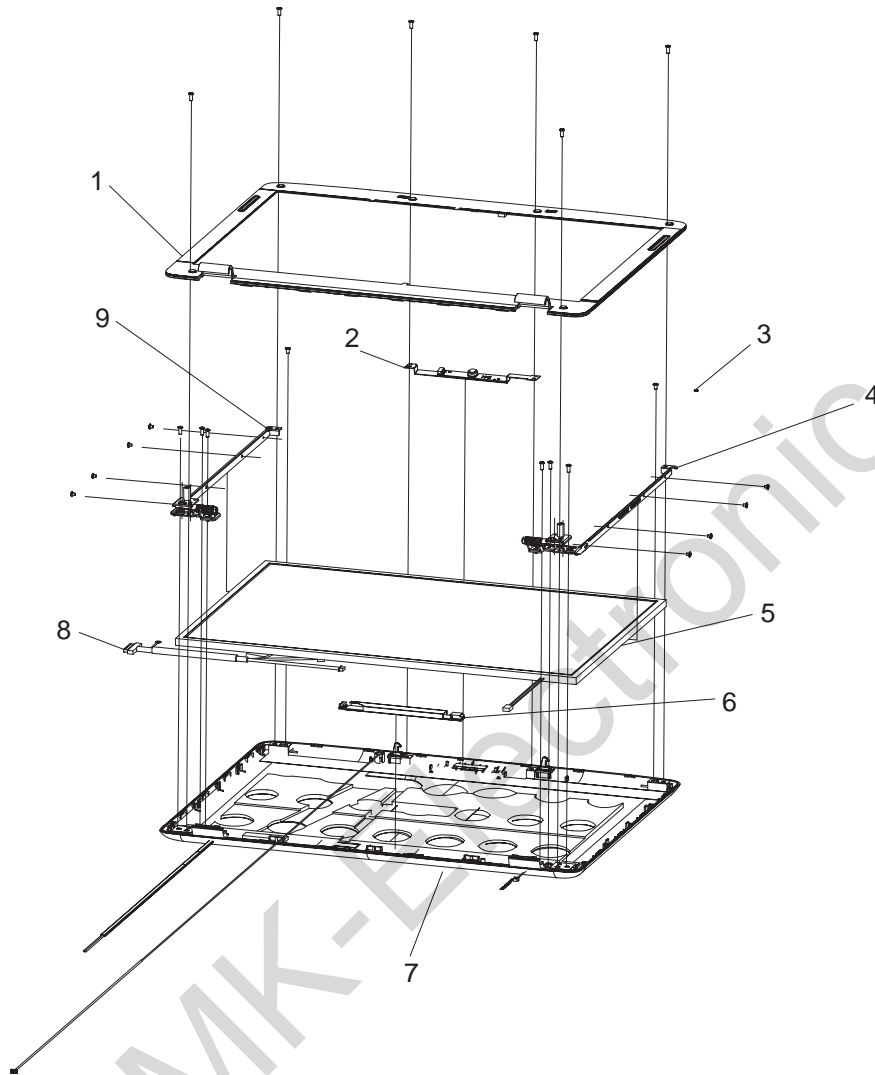
eMachines G720/G520 Exploded Diagrams

Main Unit



No.	Description	Part Number	No.	Description	Part Number
1	Keyboard	KB.I1700.043	9	HDD 1 Cover	42.AR907.003
2	Middle Cover	42.N1407.001	10	HDD 2 Cover	42.AR907.004
3	Switch Board	55.AR907.003	11	HDD Carrier	33.AR907.005
4	WiFi Button Board	55.N1407.004	12	Memory Cover	42.AR907.002
5	ODD Module	6M.N1407.001	13	Thermal Module	60.AQF07.001
6	Lower Cover	60.N1407.002	14	Mainboard	MB.N1406.001
7	USB Board	55.N1407.003	15	TouchPad Board	55.N1407.001
8	USB FFC	50.N1407.004			

LCD Panel



Number	Description	Part Number
1	LCD Bezel	60.N1407.004
2	Camera Module	57.TPK07.002
3	Screw Cap	47.N1407.003
4	LCD Hinge_R	33.N1407.001
5	LCD Panel	6M.N1407.004
6	Inverter Board	19.N1407.001
7	LCD Module w/Antenna/MIC Cables	60.N1407.003
8	Panel FPC Cable	50.AR907.002
9	LCD Hinge_L	33.N1407.002

eMachines G720/G520 FRU List





Category	Description	Acer P/N.
Adapter		
	ADAPTER 65W 3PIN DELTA SADP-65KB DFA	AP.06501.013
	ADAPTER 65W LITEON PA-1650-02AC LF	AP.06503.016
	ADAPTER 65W 3PIN HIPRO AC-OK065B13	AP.0650A.010
		AP.06501.022
	Adapter DELTA 65W 1.7x5.5x11 SADP-65KB BFJA LV4 LF for OBL only	AP.06501.014
Battery		
	BATTERY PANASONIC AS-2007B LI-ION 4S2P PANASONIC 8 CELL 4800MAH MAIN COMMON	BT.00805.011
	BATTERY SONY AS-2007B LI-ION 4S2P SONY 8 CELL 4800MAH MAIN COMMON	BT.00804.020
	BATTERY SANYO AS-2007B LI-ION 4S2P SANYO 8 CELL 4800MAH MAIN COMMON	BT.00803.024
	BATTERY SIMPLO AS-2007B LI-ION 3S2P PANASONIC 6 CELL 4400MAH MAIN COMMON PSS	BT.00607.016
	BATTERY PANASONIC AS-2007B LI-ION 3S2P PANASONIC 6 CELL 4400MAH MAIN COMMON PSS	BT.00605.021
	BATTERY SONY AS-2007B LI-ION 3S2P SONY 6 CELL 4400MAH MAIN COMMON NORMAL TYPE	BT.00604.025
	BATTERY SANYO AS-2007B LI-ION 3S2P SANYO 6 CELL 4400MAH MAIN COMMON NORMAL TYPE	BT.00603.042
Board		
	WIRELESS LAN CARD FOXCONN T60h976.00 MINI	54.AZL07.001
	WIRELESS LAN BOARD 802.11BG FOXCONN BCM4312 T77H030.00	NI.23600.029
	TOUCHPAD BOARD W/O FP	55.N1407.001
	POWER BOARD	55.N1407.002
	USB BOARD	55.N1407.003
	WIRELESS LED BOARD	55.N1407.004
	SWITCH BOARD	55.AR907.003

Category	Description	Acer P/N.
Cable		
	PWR CORD V943B30001218008 DANISH 3P	27.A03V7.006
	PWR CORD(ISR)1.8M 3PBLK FZ010008-038	27.TATV7.005
	PWR CORD V50CB3T3012180QD TW-110V,3P	27.A99V7.002
	POWER CORD(SWI)1.8M 3PBLACK FZ010008-011	27.A99V7.004
	POWER CORD(IT) 1.8M 3PBLACK FZ010008-008	27.A99V7.005
	POWER CORD(S.A) 1.8M 3BLACK FZ010008-006	27.T48V7.001
	POWER CORD US 3PIN ROHS	27.TAXV7.001
	POWER CORD(EU) 1.8M 3PBLACK FM010008-010	27.TATV7.001
	EW1 POWER CODE (CH) ASSY (8 IN 1) S/P	27.TATV7.004
	POWER CORD AU W/LABEL (3 PIN)	27.A50V7.003
	FFC CABLE - WIRELESS BOARD-MB	50.N1407.001
	FFC CABLE - TP TO TP BOARD	50.N1407.002
	FFC CABLE - TP TO MB	50.N1407.003
	USB BOARD CABLE	50.N1407.004
	FFC CABLE - POWER/B TO MB	50.AR907.001
	NEW CARD CABLE	50.TPK07.002
Case/Cover/Bracket Assembly		
	MIDDLE COVER ASSY	42.N1407.001
	UPPER CASE ASSY	60.N1407.001
	LOWER CASE ASSY	60.N1407.002
	RAM COVER	42.AR907.002

Category	Description	Acer P/N.
CPU/Processor		
	CPU INTEL CELERON 575 PGA 2.0G 1M 667 MV	KC.N0001.575
	CPU INTEL PENTIUM DUAL-CORE T3200 2.0G 1M 667 MV	KC.32001.DTP
	CPU INTEL CELERON 585 PGA 2.16G 1M 667 MV	KC.N0001.585
	CPU INTEL PENTIUM DUAL-CORE T3400 PGA 2.16G 1M 667 MV	KC.34001.DTP
Super Multi Drive		
	DVD/CDRW COMBO SATA MODULE	6M.N1407.001
	SONY COMBO Tray DL 24X CRX890S LF W/O bezel SATA	KO.0240E.009
	TOSHIBA COMBO Tray DL 24X TS-L463A LF W/O bezel SATA	KO.02401.006
	DVD/CDRW COMBO BEZEL	42.AR907.005
	OPTICAL BRACKET	33.AR907.003
	DVD/RW SUPER MULTI SATA MODULE	6M.N1407.003
	ODD PLDS Super-Multi DRIVE 12.7mm Tray DL 8X DS-8A2S LF W/O bezel SATA	KU.0080F.001
	SUPER-MULTI DRIVE 12.7MM SONY TRAY DL 8X AD-7580S LF W/O BEZEL SATA	KU.0080E.017
	ODD HLDS Super-Multi DRIVE 12.7mm Tray DL 8X GT10N LF W/O bezel SATA	KU.0080D.039
	ODD BEZEL - SUPER MULTI	42.AGW07.004
	OPTICAL BRACKET	33.AR907.003
Blueray Combo Drive		
	BLUE RAY COMBO MODULE	6M.N1407.002
	BLUE RAY COMBO TRAY 2X SONY BC-5500S-AR	KO.0020E.002
	BD COMBO BEZEL	42.AR907.006

Category	Description	Acer P/N.
	OPTICAL BRACKET	33.AR907.003
HDD		
	HDD HGST 2.5" 5400RPM 160GB HTS543216L9A300 FALCON-B SATA LF F/W:C40C	KH.16007.019
	HDD WD 2.5" 5400RPM 160GB WD1600BEVT-22ZCT0 ML160 SATA LF F/W:11.01A11	KH.16008.022
	HDD SEAGATE 2.5" 5400RPM 160GB ST9160310AS CROCKETT SATA LF F/W:0303	KH.16001.034
	HDD HGST 2.5" 5400RPM 160GB HTS542516K9SA00 BRONCO-B SATA II LF F/W:C31P	KH.16007.016
	HDD TOSHIBA 5400RPM 120GB MK1246GSX LEO BS SATA I LF F/W:LB213J	KH.12004.007
	HDD SEAGATE 2.5" 5400RPM 120GB ST9120817AS CORSAIR SATA LF F/W:3.AAA	KH.12001.032
	HDD HGST 2.5" 5400RPM 120GB HTS543212L9A300 FALCON-B SATA LF F/W:C40C	KH.12007.016
	HDD WD 5400rpm 120GB WD1200BEVT-22ZCT0 ML160 SATA LF F/W: 11.01A11	KH.12008.020
	HDD WD 5400RPM 120GB WD1200BEVS-22UST0 ML125 SATA LF F/W:01.01A01	KH.12008.019
	HDD SEAGATE 2.5" 5400rpm 250GB ST9250827AS Corsair SATA LF F/W:3.AAA	KH.25001.011
	HDD WD 2.5" 5400rpm 250GB WD2500BEVT-22ZCT0 ML160 SATA LF F/W:11.01A11	KH.25008.021
	HDD HGST 2.5" 5400RPM 250GB HTS543225L9A300 FALCON-B SATA LF F/W:C40C	KH.25007.013
	HDD HGST 2.5" 5400RPM 320GB HTS543232L9A300 FALCON-B SATA LF F/W:C40C	KH.32007.004
	HDD SEAGATE 2.5" 5400RPM 320GB ST9320320AS CROCKETT SATA LF F/W:0303	KH.32001.008
	HDD WD 2.5" 5400RPM 320GB WD3200BEVT-22ZCT0 ML160 SATA LF F/W:11.01A11	KH.32008.013
	HDD COVER -1	42.AR907.003
	HDD COVER - 2ND	42.AR907.004

Category	Description	Acer P/N.
	HDD MASTER BRACKET	33.AR907.005
	HDD BRACKET ASSY	33.AR907.004
Keyboard		
	KEYBOARD 17KB-EM1 BLACK DANUBE104KS BLACK US INTERNATIONAL	KB.11700.043
	KEYBOARD 17KB-EM1 BLACK DANUBE104KS BLACK US INTERNATIONAL HEBREW	KB.11700.044
	KEYBOARD 17KB-EM1 BLACK DANUBE105KS BLACK UK	KB.11700.045
	KEYBOARD 17KB-EM1 BLACK DANUBE105KS BLACK TURKISH	KB.11700.046
	KEYBOARD 17KB-EM1 BLACK DANUBE104KS BLACK THAILAND	KB.11700.047
	KEYBOARD 17KB-EM1 BLACK DANUBE105KS BLACK SWISS/G	KB.11700.048
	KEYBOARD 17KB-EM1 BLACK DANUBE105KS BLACK SWEDISH	KB.11700.049
	KEYBOARD 17KB-EM1 BLACK DANUBE105KS BLACK SPANISH	KB.11700.050
	KEYBOARD 17KB-EM1 BLACK DANUBE105KS BLACK SLOVAK	KB.11700.051
	KEYBOARD 17KB-EM1 BLACK DANUBE105KS BLACK SLO/CRO	KB.11700.052
	KEYBOARD 17KB-EM1 BLACK DANUBE104KS BLACK RUSSIAN	KB.11700.053
	KEYBOARD 17KB-EM1 BLACK DANUBE105KS BLACK PORTUGUESE	KB.11700.054
	KEYBOARD 17KB-EM1 BLACK DANUBE105KS BLACK POLISH	KB.11700.055
	KEYBOARD 17KB-EM1 BLACK DANUBE105KS BLACK NORWEGIAN	KB.11700.056
	KEYBOARD 17KB-EM1 BLACK DANUBE104KS BLACK KOREAN	KB.11700.058
	KEYBOARD 17KB-EM1 BLACK DANUBE105KS BLACK ITALIAN	KB.11700.060
KEYBOARD 17KB-EM1 BLACK DANUBE105KS BLACK HUNGARIAN	KB.11700.063	
KEYBOARD 17KB-EM1 BLACK DANUBE104KS BLACK GREEK	KB.11700.064	

Category	Description	Acer P/N.
	KEYBOARD 17KB-EM1 BLACK DANUBE105KS BLACK GERMAN	KB.11700.065
	KEYBOARD 17KB-EM1 BLACK DANUBE105KS BLACK FRENCH	KB.11700.066
	KEYBOARD 17KB-EM1 BLACK DANUBE105KS BLACK DUTCH	KB.11700.068
	KEYBOARD 17KB-EM1 BLACK DANUBE105KS BLACK DANISH	KB.11700.069
	KEYBOARD 17KB-EM1 BLACK DANUBE104KS BLACK TRADITIONAL CHINESE	KB.11700.071
	KEYBOARD 17KB-EM1 BLACK DANUBE105KS BLACK CANADIAN FRENCH	KB.11700.072
	KEYBOARD 17KB-EM1 BLACK DANUBE105KS BLACK BRAZILIAN PORTUGUESE	KB.11700.073
	KEYBOARD 17KB-EM1 BLACK DANUBE105KS BLACK BELGIUM	KB.11700.074
	KEYBOARD 17KB-EM1 BLACK DANUBE104KS BLACK ARABIC/ENGLISH	KB.11700.075
	KEYBOARD 17KB-EM1 BLACK DANUBE105KS BLACK ARABIC/FRENCH	KB.11700.076
	KEYBOARD 17KB-EM1 BLACK DANUBE105KS BLACK NORDIC	KB.11700.077
	KEYBOARD 17KB-EM1 BLACK DANUBE106KS BLACK JAPANESE	KB.11700.079
	KEYBOARD 17KB-EM1 BLACK DANUBE104KS BLACK JAPANESE	KB.11700.059
	KEYBOARD 17KB-EM1 BLACK DANUBE105KS BLACK CZECH	KB.11700.070
	KEYBOARD 17KB-EM1 BLACK DANUBE105KS BLACK CZECH/SLOVAK	KB.11700.080
	KEYBOARD 17KB-EM1 BLACK DANUBE105KS BLACK ENGLISH/CANADIAN FRENCH	KB.11700.078
LCD		
	LCD MODULE 17 IN. WXGA+ GLARE W/O CCD W/ ANTENNA	6M.N1407.004
	LCD CMO 17" WXGA+ Glare N170C2-L02 LF 200nit 10ms	LK.1700D.009
	LCD LPL 17.1" WXGA+ Glare LP171WP4-TLR1 LF 220nit 8ms	LK.17108.011
	LCD SAMSUNG 17.1" WXGA+ Glare LTN170BT07-G01 LF 220nit 8ms 500:1	LK.17106.004
	LCD AUO 17.1" WXGA+ Glare B170PW06 V2 LF 220nit 8ms	LK.17105.009
	INVERTER BOARD	19.N1407.001
	LCD CABLE FOR CCD	50.AR907.002

Category	Description	Acer P/N.
	LCD COVER ASSY PAINTING W/MIC ANTENNA W/O CCD	60.N1407.003
	LCD BEZEL TEXTURE W/O CCD	60.N1407.004
	LCD HINGE W/BRACKET - R	33.N1407.001
	LCD HINGE W/BRACKET - L	33.N1407.002
	LCD MODULE 17 IN. WXGA+ GLARE W/ CCD ANTENNA	6M.N1507.002
	LCD CMO 17" WXGA+ Glare N170C2-L02 LF 200nit 10ms	LK.1700D.009
	LCD LPL 17.1" WXGA+ Glare LP171WP4-TLR1 LF 220nit 8ms	LK.17108.011
	LCD SAMSUNG 17.1" WXGA+ Glare LTN170BT07-G01 LF 220nit 8ms 500:1	LK.17106.004
	LCD AUO 17.1" WXGA+ Glare B170PW06 V2 LF 220nit 8ms	LK.17105.009
	INVERTER BOARD	19.N1407.001
	LCD CABLE FOR CCD	50.AR907.002
	LCD COVER ASSY PAINTING W/MIC/ANTENNA W/ CCD	60.N1507.001
	LCD BEZEL TEXTURE W/ CCD	60.N1407.004
	LCD HINGE W/BRACKET - R	33.N1407.001
	LCD HINGE W/BRACKET - L	33.N1407.002
	CAMERA CNF701721004971L CNY	57.TPK07.002

Category	Description	Acer P/N.
Mainboard		
	MAINBOARD UMA GL40 W/O CPU RAM	MB.N1406.001
Memory		
	MEMORY HYNIX SO-DIMM DDRII 667 2GB HYMP125S64CP8-Y5 LF	KN.2GB0G.004
	MEMORY SAMSUNG SO-DIMM DDRII 667 2GB M470T5663QZ3-CE6 LF	KN.2GB0B.003
	MEMORY ELPIDA SO-DIMM DDRII 667 2GB EBE21UE8ACUA-6E-E LF	KN.2GB09.001
	MEMORY HYNIX SO-DIMM DDRII 667 1GB HYMP112S64CP6-Y5 LF	KN.1GB0G.012
	MEMORY SAMSUNG SO-DIMM DDRII 667 1GB M470T2864QZ3-CE6 LF	KN.1GB0B.016
	MEMORY ELPIDA SO-DIMM DDRII 667 1GB EBE11UE6ACUA-6E-E LF 64*16 0.065UM	KN.1GB09.008
Heatsink		
	THERMAL MODULE - UMA	60.AQF07.001
Speaker		
	SPEAKER	23.AR907.001
Miscellaneous		
	RUBBER FOOT	47.AR907.003
	RUBBER FOOT LOW	47.AR907.004
	LCD BEZEL RUBBER	47.N1407.001
	BASE DC-IN RUBBER	47.N1407.002
	Screw Cap	47.N1407.003

Screw List

Category	Description	Part Number
Screw List		
SCREW		
SCREW		
SCREW		
SCREW		
SCREW		
SCREW		