

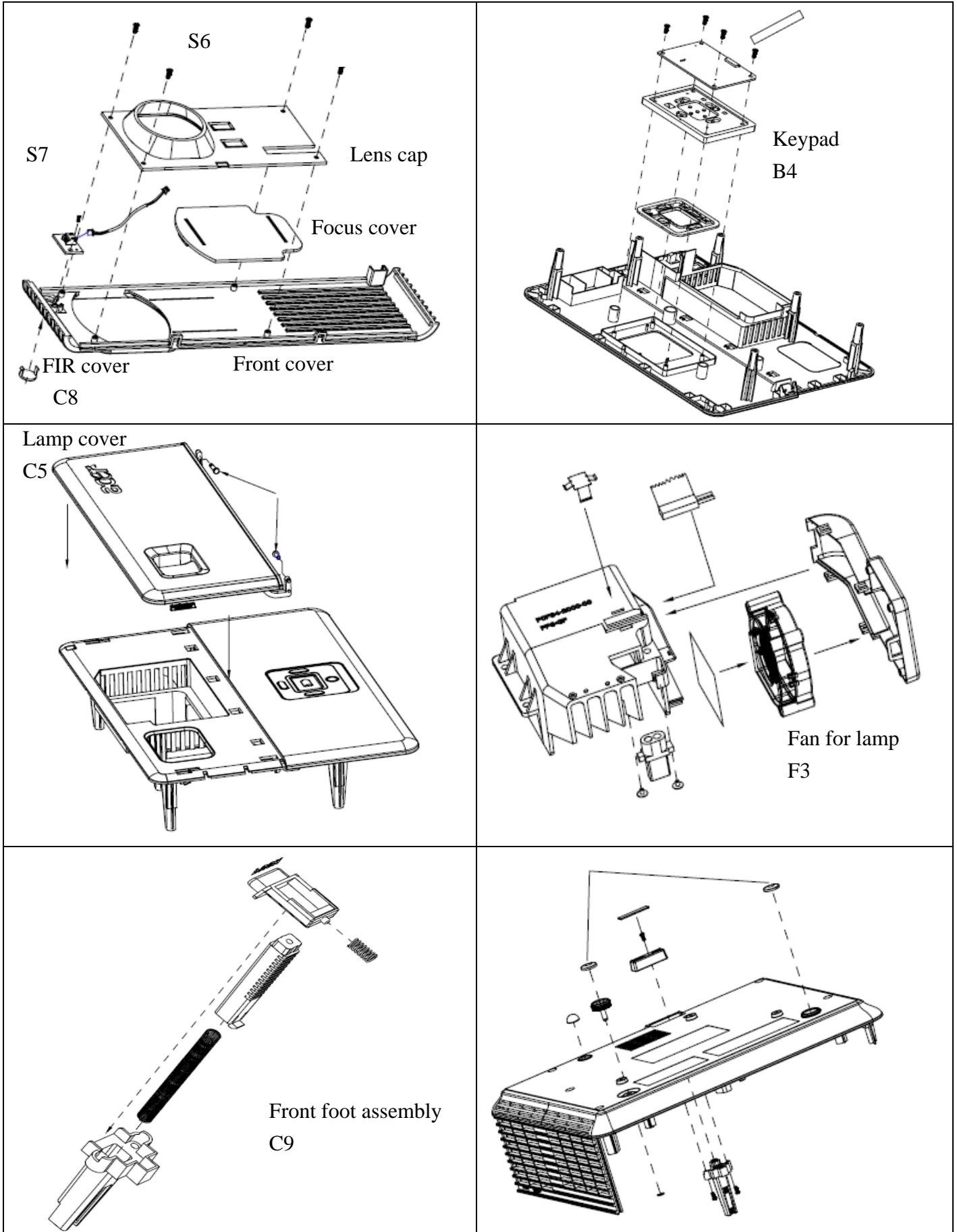
6 FRU (Field Replaceable Unit) List

Introduction

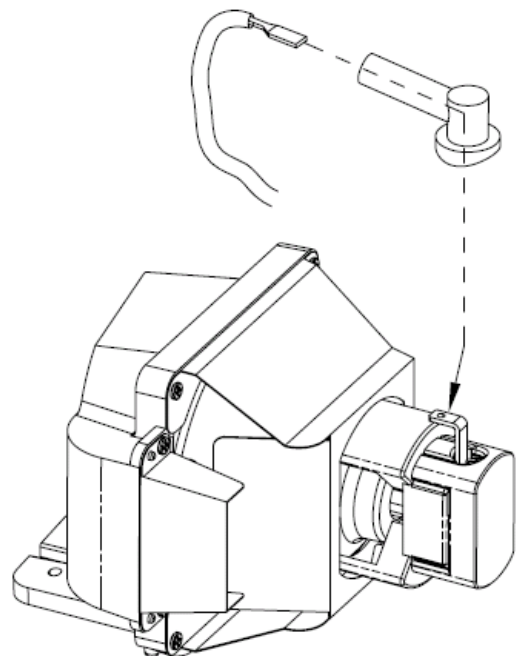
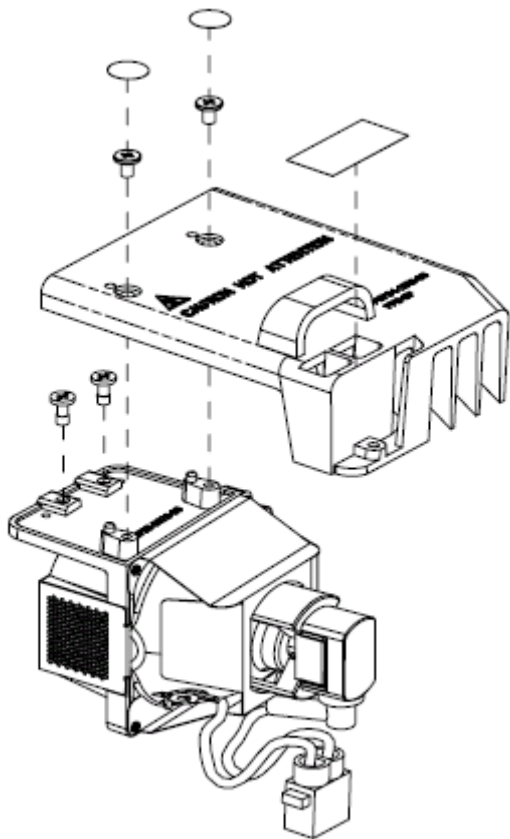
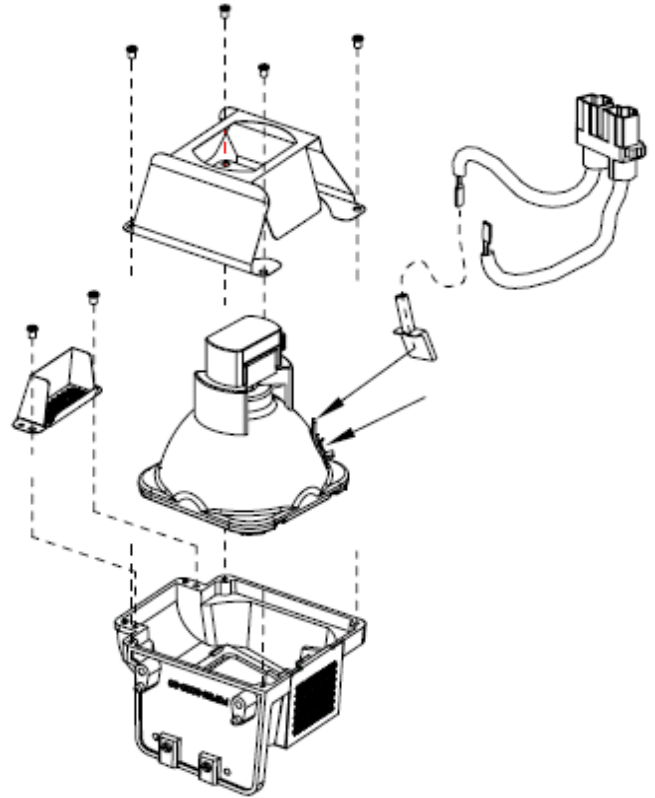
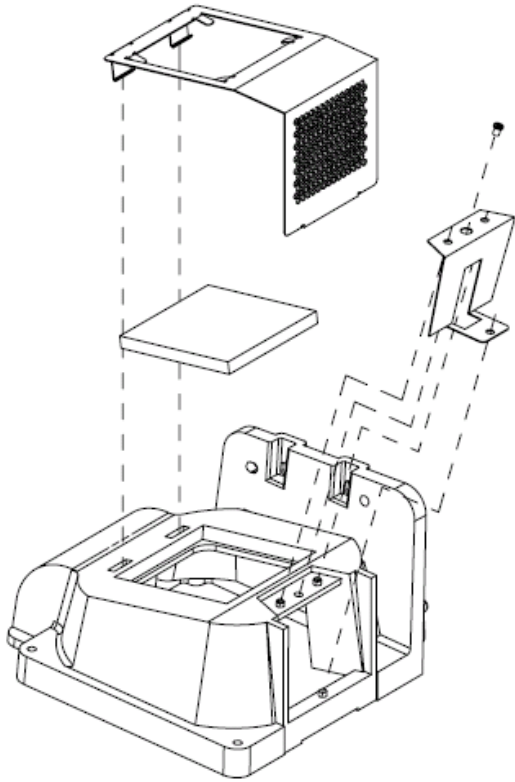
This section is a list of all the FRU removal. Following the FRU table of contents is an enlarged view of the entire projector, which shows the primary FRUs in the projector.

When working on the projector, use appropriate anti-static precautions such as anti-static mats, wrist straps and grounded work surfaces. Failure to do this can destroy static-sensitive components and make the product inoperable.

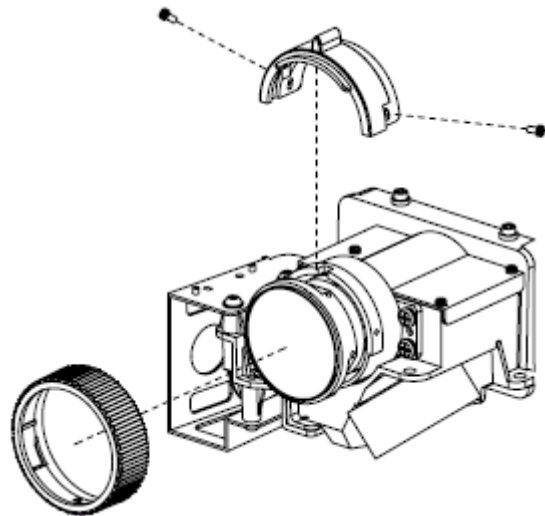
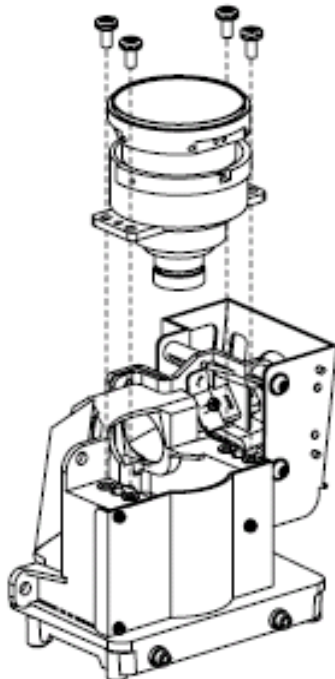
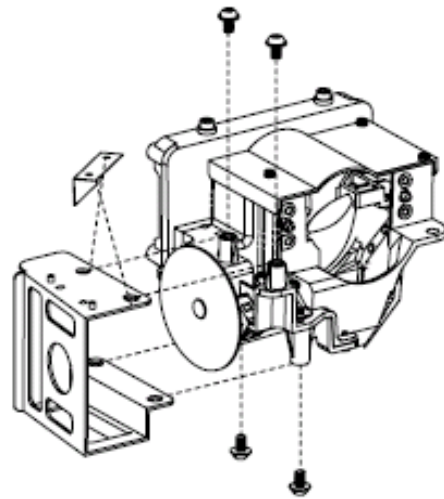
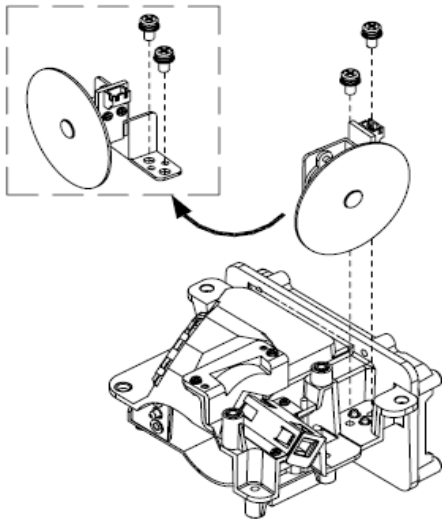
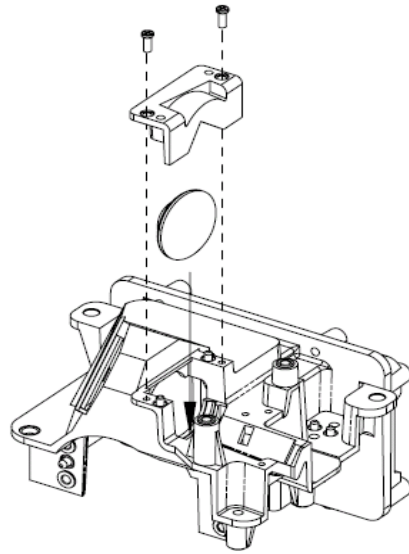
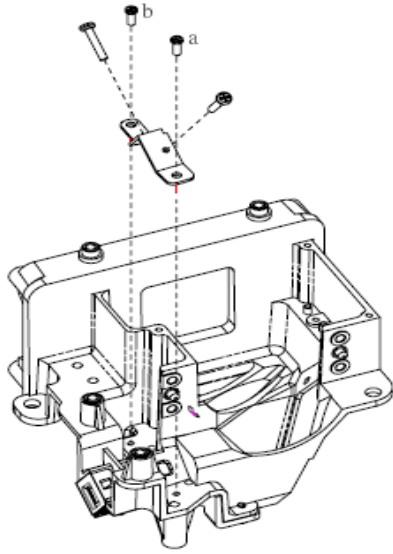
6.1 Mechanical Drawing



Lamp module assembly



Engine body assembly



6.2 Accessory

Key No.	P/N	Description	P1165E	P5260E
RC	P0K00-RC01	ACER_REMOTE CONTROL_APD-X510_W/B_AAA2PCS	V	V

6.3 Board/Module

Key No.	P/N	Description	P1165E	P5260E
B1	P0L47-6100	IO_DIP_PCB_ASY_APD-S520_ROHS		V
	P0K47-6100	IO_DIP_PCB_ASY_APD-X510_ROHS	V	
B2	P0L43-1013	BALLAST-ASM_APD-S520_ROHS	V	
	P0K43-1013	BALLAST-ASM_APD-X510_ROHS		V
B3	P0K43-1018	LITEON-POWER-ASM_APD-X510_ROHS	V	V
B4	P0K43-1017	KEY-PAD-ASY_APD-X510_ROHS	V	V
B5	P0K47-5100	FIR SENSOR_DIP_PCB_ASY_APD-X510_ROHS	V	V
B6	P0F47-5000	CW SENSOR_SMT_PCB_ASY_PD-S550_ROHS	V	V

6.4 Case/Cover/Bracket Assembly

Key No.	P/N	Description	P1165E	P5260E
C1	P0L43-1011	TOP COVER_ASY_APD-S520_ROHS	V	
	P0K43-1011	TOP COVER_ASY_APD-X510_ROHS		V
C2	P0L43-1015	BOTTOM-COVER_ASY_APD-S520_ROHS	V	
	P0K43-1015	BOTTOM-COVER_ASY_APD-X510_ROHS		V
C3	P0K34-4550-00	LEFT-COVER_APD-X510_00_NO PAINTING_ROHS	V	V
C4	P0K43-1012	FRONT-COVER_ASY_APD-X510_ROHS	V	V
C5	P0L43-1010	LAMP COVER_ASY_APD-S520_ROHS	V	
	P0K43-1010	LAMP COVER_ASY_APD-X510_ROHS		V
C6	P0L43-1014	BACK COVER_ASY_APD-S520_ROHS	V	
	P0K43-1014	BACK COVER_ASY_APD-X510_ROHS		V
C7	P0L38-1560-00	IO-NAME-PLATE_APD-S520_ROHS	V	
	P0K38-1560-00	IO-NAME-PLATE_APD-X510_ROHS		V
C8	P0P34-4610-00	FRONT IR COVER	V	V
C9	P0P43-1050	FRONT FOOT ASSY	V	V

6.5 Fans

Key No.	P/N	Description	P1165E	P5260E
F1	J2394-0074-00	FAN._3110KL-04W-B39-S00(L=100MM)_NMB_ROHS	V	V
F2	J2394-0069-00	FAN._AUB0712M-R00(L=80)_DELTA_ROHS	V	V
F3	J2394-0087-00	FAN_BUB0512VHD-7T72(L=140MM)_DELTA_ROHS		V
	J2394-0070-00	FAN._BUB0512LD(L=60MM)_DELTA_ROHS	V	

6.6 Optical Device

Key No.	P/N	Description	P1165E	P5260E
O1	P0L43-1002	OPTICAL ENGINE_APD-S520	V	
	P0K43-1002	OPTICAL ENGINE_APD-X510		V
O2	P0L43-1005	LAMP MODULE_APD-S520_ROHS	V	
	P0K43-1005	LAMP MODULE_APD-X510_ROHS		V
O3	P0F36-7010-00	DMD-0.55 X-TYPE_PD-S550_ROHS	V	
	P0G36-7010-00	DMD-0.55XGA X-TYPE_PD-X550_ROHS		V
O4	P0K43-1006	COLORWHEEL MODULE_APD-X510_ROHS	V	V

6.7 Miscellaneous

Key No.	P/N	Description	P1165E	P5260E
M1	J2413-0024-03	SPEAKER_P28KC04-9-7JS5_VECO_ROHS	V	V

6.8 Wire

Key No.	P/N	Description	P1165E	P5260E
W1	J2591-0014-01	FFC CABLE_A28200C4466NB_ENTERY_0.5PITCH_28PIN	V	V
W2	J2595-0220-00	WIRE CON-CON_1102003-99_MSK_9PIN-2*8PIN_L105MM	V	V
W3	J2595-0231-00	WIRE ASSY_CON-SW	V	V
W4	J2595-0203-00	WIRE CON-CON_1102003-87_MSK_5PIN_L200MM	V	V
W5	J2595-0218-00	WIRE CON-CON_1102003-98_MSK_2PIN_L140MM		V
W6	J2595-0198-00	WIRE CON-MOTOR PROTECTOR	V	V
W7	J2595-0201-00	WIRE LAMP-BALA_2PIN_285MM	V	V
W8	J2595-0202-01	WIRE CON-CON_1102003-104_MSK_4PIN	V	V
W9	J2595-0208-00	WIRE ASSY_LAMP-BALA	V	V
W10	J2595-0066-00	WIRE CON-CON_1102003-36_MSK_4PIN_L50MM	V	V

6.9 Screws

Key No.	P/N	Description	P1165E	P5260E
S1	P2535-7350-00	SCREW-TB-Q669D715-10_EMS-DX540	V	V
S2	J1635-A491-00	SCREW-WASHER_TP_3_10_D_7_D=5.3	V	V
S3	82035-2510-00	HEXAGON-HEAT-BOLT-4.8_PJ-X900_3M	V	V
S4	J1635-3660-00	SCREW_M_3_5_D_2_D=5.5_NI	V	V
S5	J1635-D420-00	SCREW-WASHER_M_4_6_A_2.6_D=7	V	V
S6	J1635-3720-00	SCREW-WASHER_TP_2_4_D_1_D=3.2_NI	V	V
S7	J1635-A020-00	SCREW-WASHER_TP_2_3_D_1_D=3.2_NI	V	V
S8	J1635-B730-00	SCREW_M_3_5_E_1.2_D=6.5_BLACK	V	V
S9	J1635-3172-00	SCREW-WASHER_M_2_4_A_1.3_D=3.5_BLACK	V	V