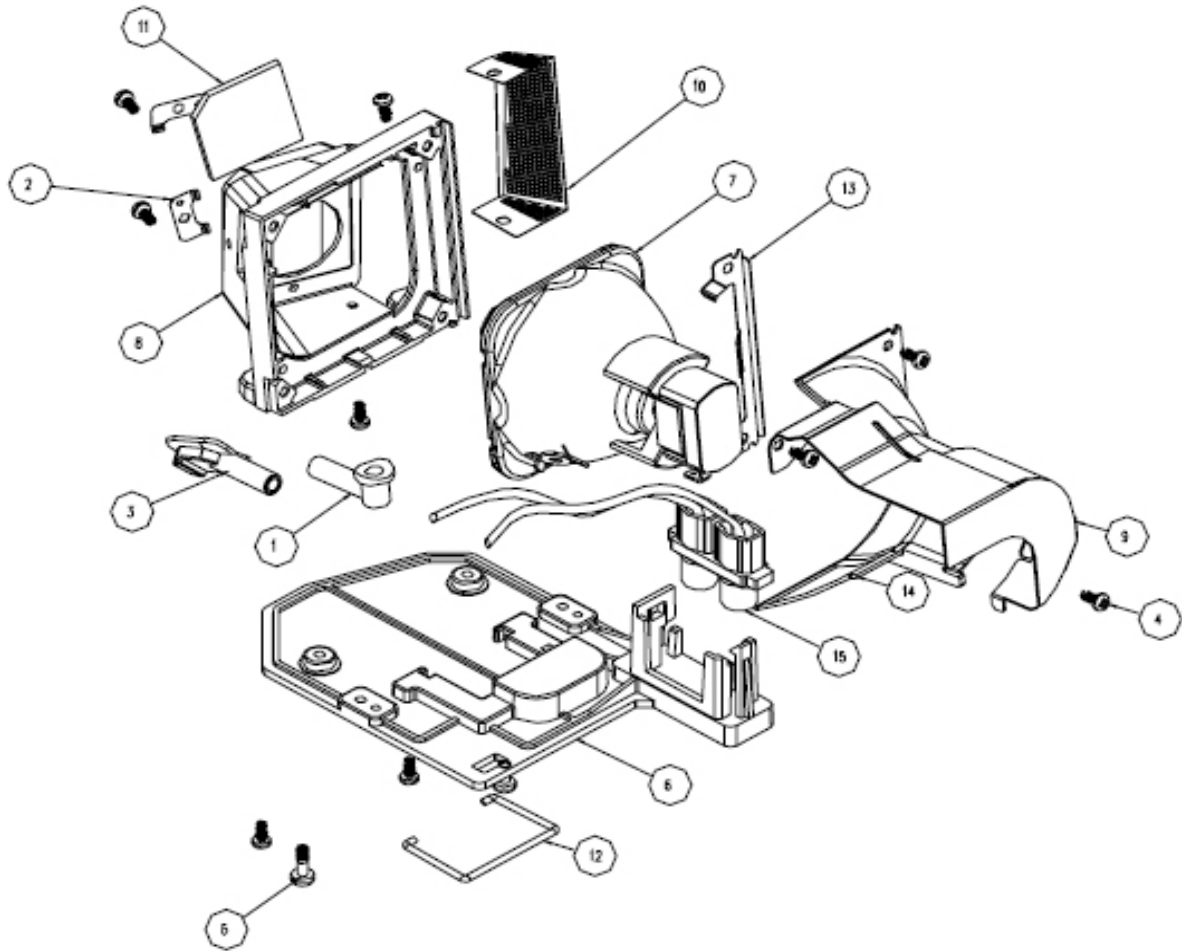


---

# Appendix A

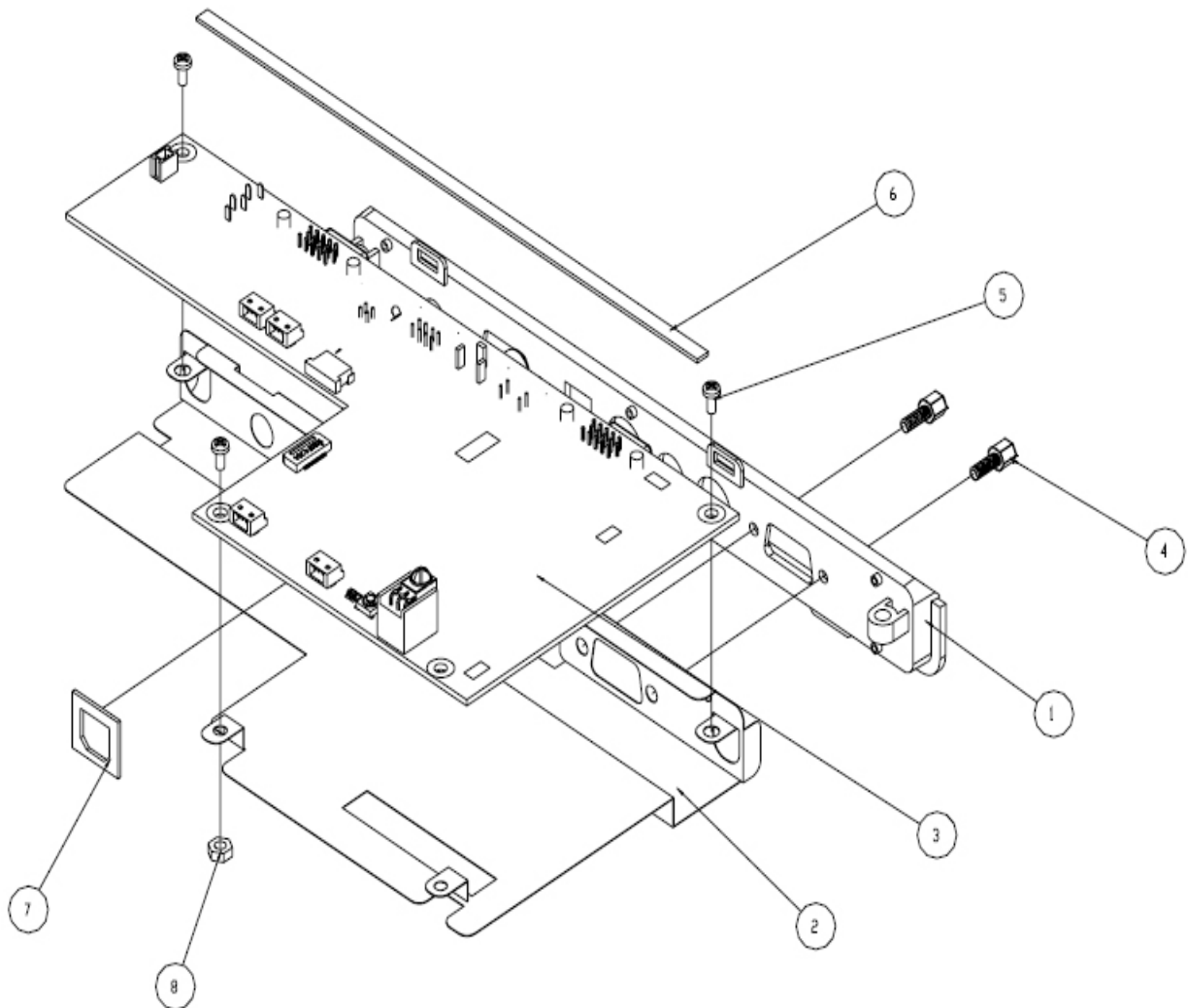
---

## Assy Lamp Module X1160



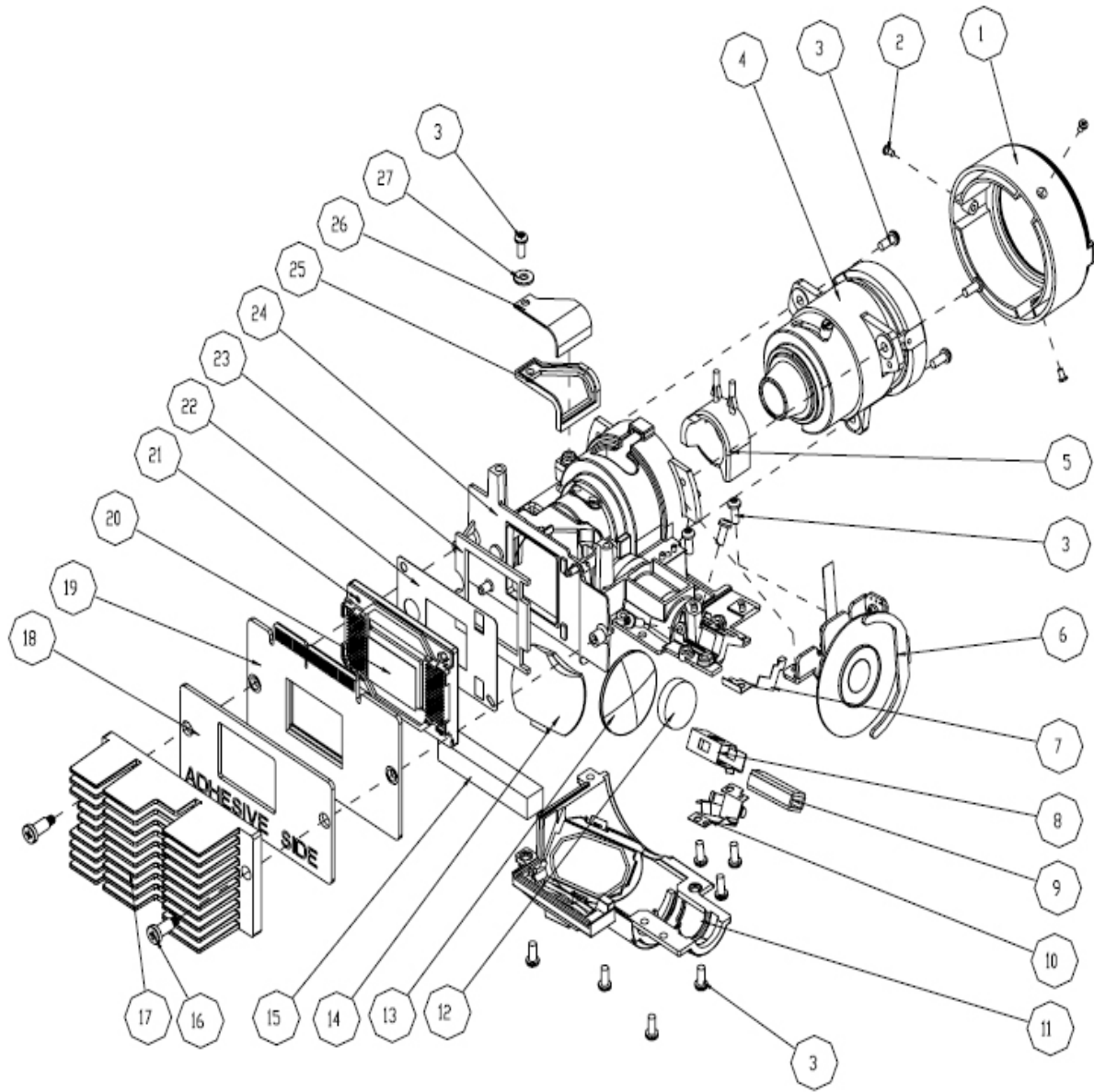
item	P/N	Rev	Description	Parts Supply
1	52.83F12G001	A	LAMP RUBBER HD72	
2	61.80L06G001	A	UVIR SPRING PLATE SUS301 80L	
3	52.85902G012	A	LAMP CONTACT COVER RUBBER 300C	
4	85.1A326G050	A	SCREW PAN HEAD MECH M2.6*5 BLACK	
5	61.00061G001	A	LOCK SCREW PAN MECH M3*8.5-3.5 Ni	
6	51.88T12G001	A	LAMP BOTTOM X1160	
7	23.88T15G001	A	OSRAM P-VIP 150-180/1.0 E20.6	
8	61.88T01G001	A	LAMP HOLDE OSRAM E206 X1160	
9	61.88T10G001	A	LAMP LIGHT CUT AL X1160	
10	61.88T11G001	A	LAMP LEFT MESH X1160	
11	23.87M10G001	A	UV-IR 24*25*2mm(5*5mm cut)UNAXIS	
12	61.86808G001	A	LAMP CHANGER HANDLE SUS DP725	
13	61.83F12G001	A	LAMP CLAMP SUS301 t=0.3 HD72	
14	61.83M17G001	B	LAMP LIGHT CUT 2400MP	
15	76.83M02G002	A	OUTSIDE W.A. 85/95mm FOR 2400MP	

## ASSY MAIN-BD MODULE X1160



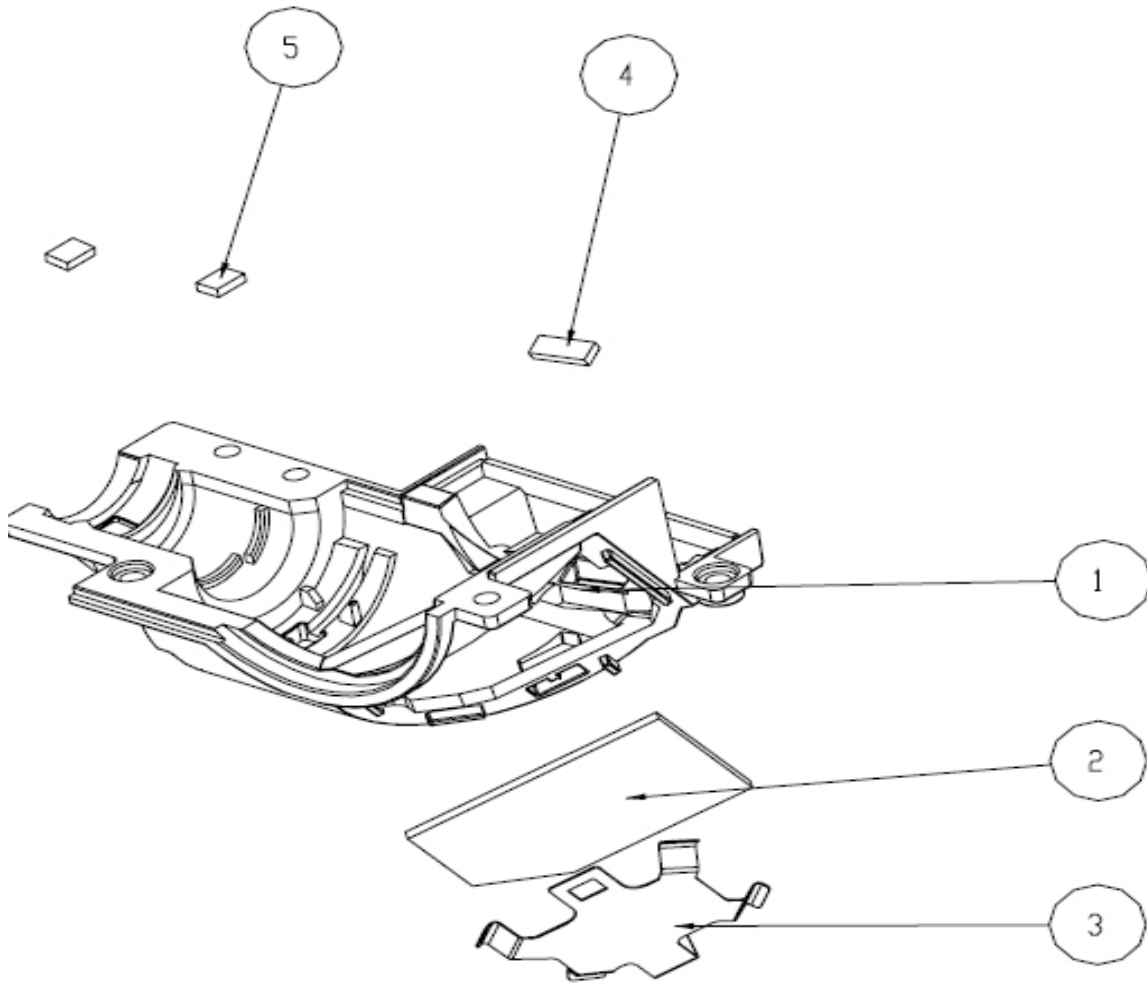
item	P/N	Rev	Description	Parts Supply
1	51.88T04G001	A	IO COVER X1160	
2	61.88T16G001	A	SHIELDING MAIN-BD X1160	
3	80.88T01G001	A03	PCBA MAIN BOARD FOR X1160	
4	85.005AGG075	A	SCREW HEX I/O #4-40*H5*L7.5 Ni NYLOK	
5	85.1A123G060	A	SCREW PAN MECH M3*6 NI	
6	41.88T02G001	A	EMI GASKET L180*W4*H1	
7	41.82G03G001	A	EMI GASKET USB CONNECTOR EP719	
8	86.0A123G024	A	HEX NUT M3*0.5P L2.4 Ni	

# ASSY ENGINE MODULE X1160



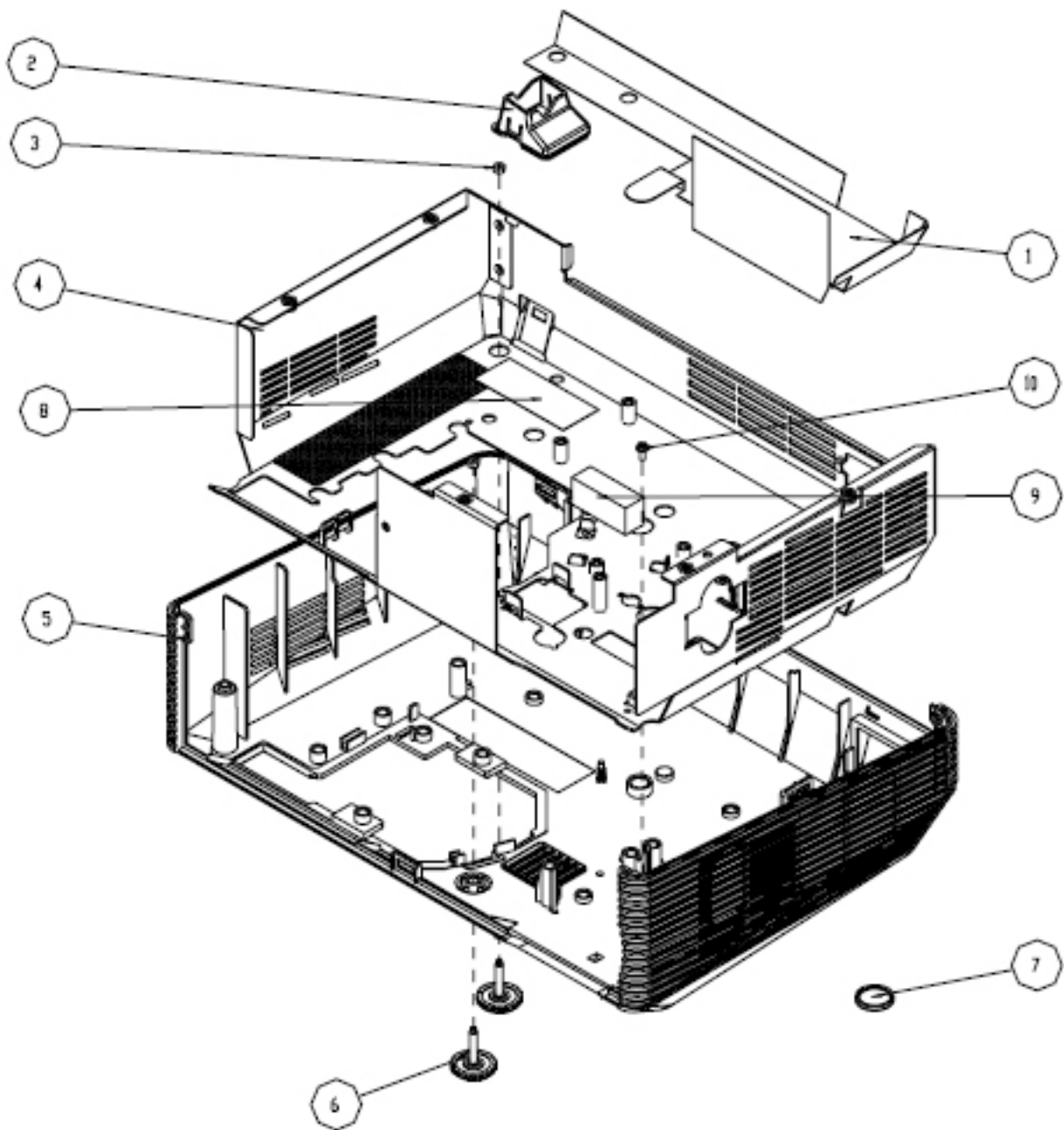
item	P/N	Rev	Description	Parts Supply
1	51.88T09G001	A	FOCUS RING X1160	
2	85.WA321G050	A	SCREW PAN HEAD M1.7*5 BLACK "	
3	85.1A126G060	A	SCREW PAN MECH M2.6*6 Ni	
4	23.88T01G001	A	YO PROJECTION LENS YM09XS FOR X14	
5	52.89F01G001	A	PROJECTION LENS RUBBER HD65	
6	70.88T08G001	A	ASSY COLOR WHEEL MODULE X1160	
7	61.88N13G001	A	ROD COVER SUS301,X15	
8	61.88N14G001	A	ROD HOLDER SUS301,X15	
9	23.88N17G001	A	YO INTEGRATING ROD FOR x15	
10	61.88N12G001	A	ROD SPRING SUS301,X15	
11	70.88T07G001	A	ASSY ENGINE BOTTOM MODULE X1160	
12	23.88N20G001	A	YO CONDENSER1 FOR X15	
13	23.88N20G011	A	YO CONDENSER2 FOR X15	
14	23.88N06G002	A	PRODISC X15 PLASTIC RELAY LENS	
15	41.85W05G001	A	EMI GASKET W8*H8*L45	
16	85.4A826G118	A	STEP SCREW FOR TYPEX DMD M2.6*11.8mm,X15	
17	61.88N03G001	A	DMD HEAT SINK AL1070,X15	
18	52.88N03G001	A	HEAT SINK RUBBER,X15	
19	80.88T02G001	A03	PCBA DMD BOARD FOR XD1130	
20	52.87J01G001	A	DMD THERMAL PAD 25*17*0.5t FUJIPOLY SARGON GR-Hn	
21	48.87K01G001	A	DMD Type-X 800x600 PIXEL 0.55" SVGA LVDS "TI"	
22	61.88N15G001	A	DMD MASK SUS301,X15	
23	52.88N04G001	A	DMD RUBBER,X15	
24	61.88N01G001	A	ENGINE BASE MG,X15	
25	52.88N01G001	A	OFF RAY RUBBER,X15	
26	61.88N05G001	A	OFF RAY PLATE AL5052,X15	
27	87.FL030G008	A	WASHER FLAT 7*3.1*0.8t PC PINGOOD WS-1M	

# ASSY ENGINE BOTTOM MODULE X1160



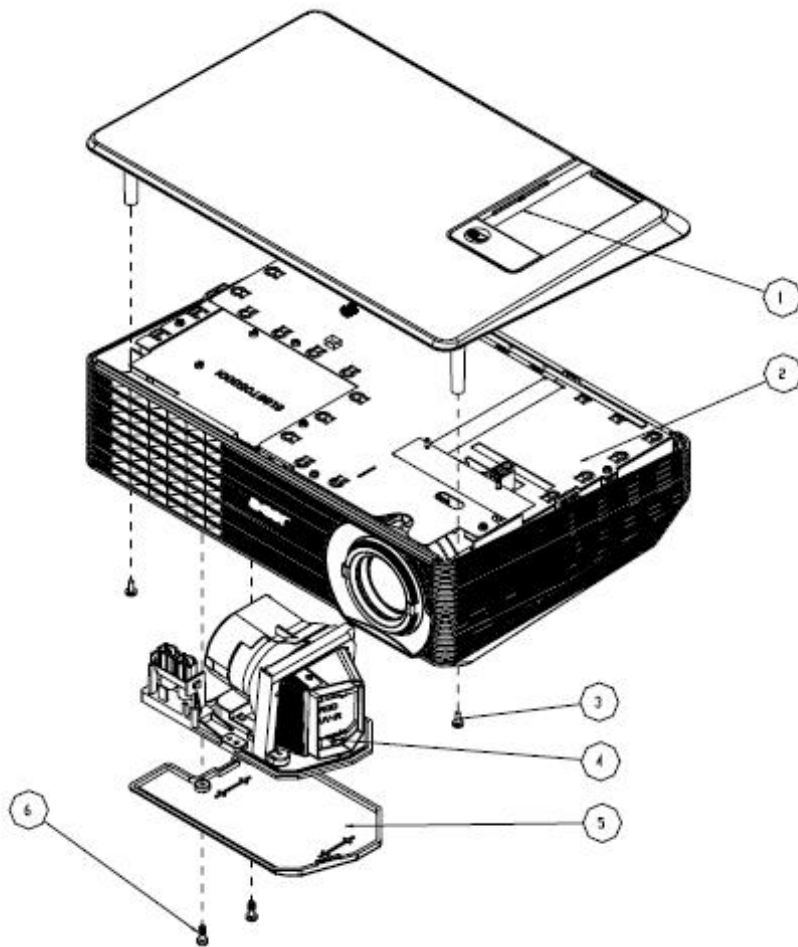
item	P/N	Rev	Description	Parts Supply
1	51.88N01G001	A	ENGINE BOTTOM COVER PC945,X15	
2	23.88N02G001	A	YO MIRROR1 FOR X15	
3	61.88N11G001	A	MIRROR SPRING SUS301,X15	
4	52.88N05G001	A	RELAY RUBBER,X15	
5	52.85808G001	A	PORON-LENS BLACK XB31	

# ASSY HOUSING MODULE X1160



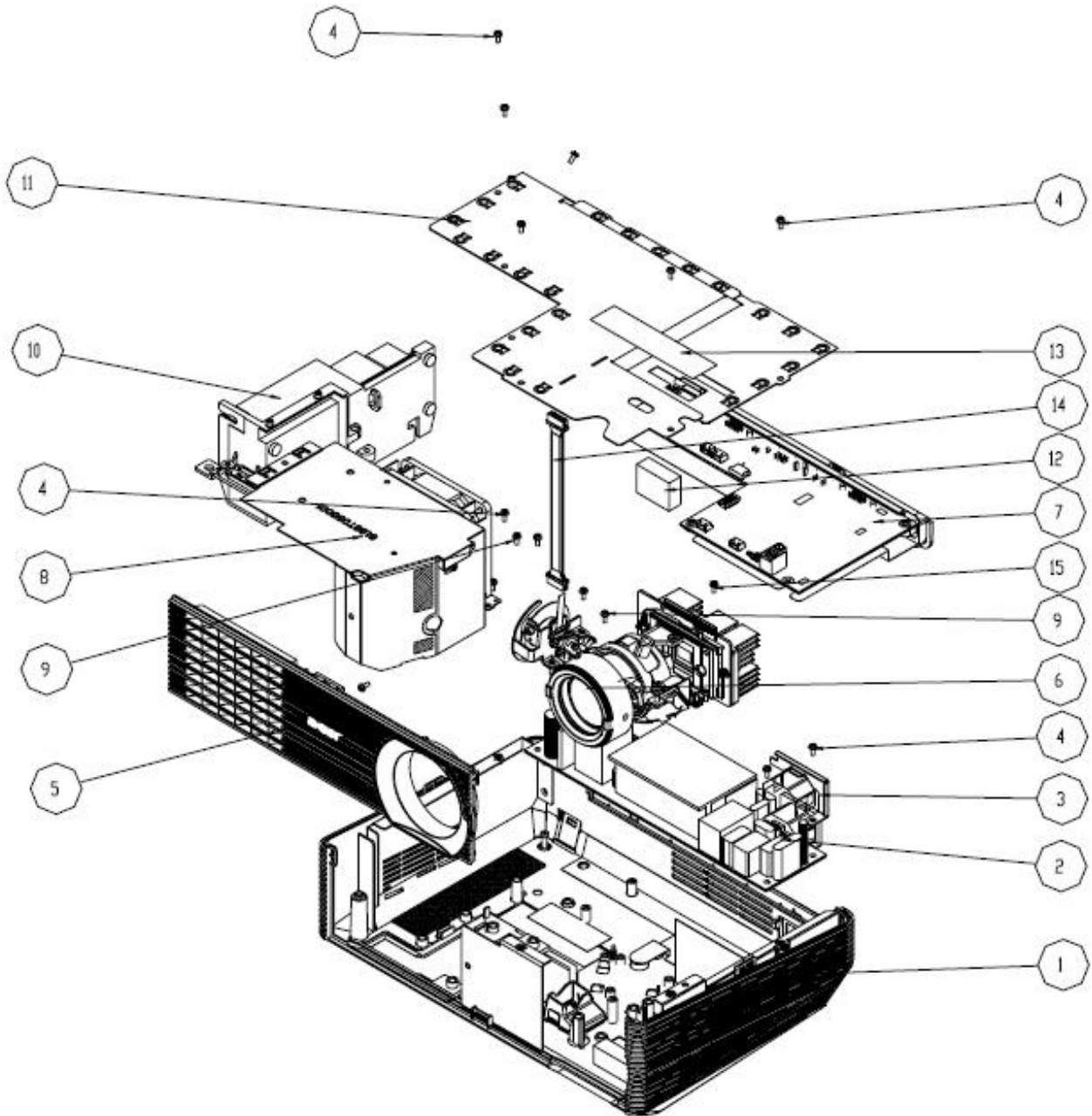
item	P/N	Rev	Description	Parts Supply
1	51.88T10G001	A	MYLAR FOR LVPS X1160	
2	51.88T14G001	A	ROD DUCT X1160	
3	86.00122G015	D1	NUT HEX M2.0*0.4P L15 Ni	
4	61.88T03G001	A	SHIELDING BOTTOM COVER X1160	
5	51.88T02G001	A	BOTTOM COVER X1160	
6	70.83U20G001	A	ASSY ADJUST FOOT MODULE TDP-T9	
7	52.86801G001	A	RUBBER FOOT REAR DP725	
8	41.83C09G001	A	EMI TAPE W20*L50	
9	41.82B01G001	A	EMI GASKET W13*H10.5*L30mm	
10	85.1A123G050	A	SCREW PAN MECH M3*5 Ni	

## D.C. X1160



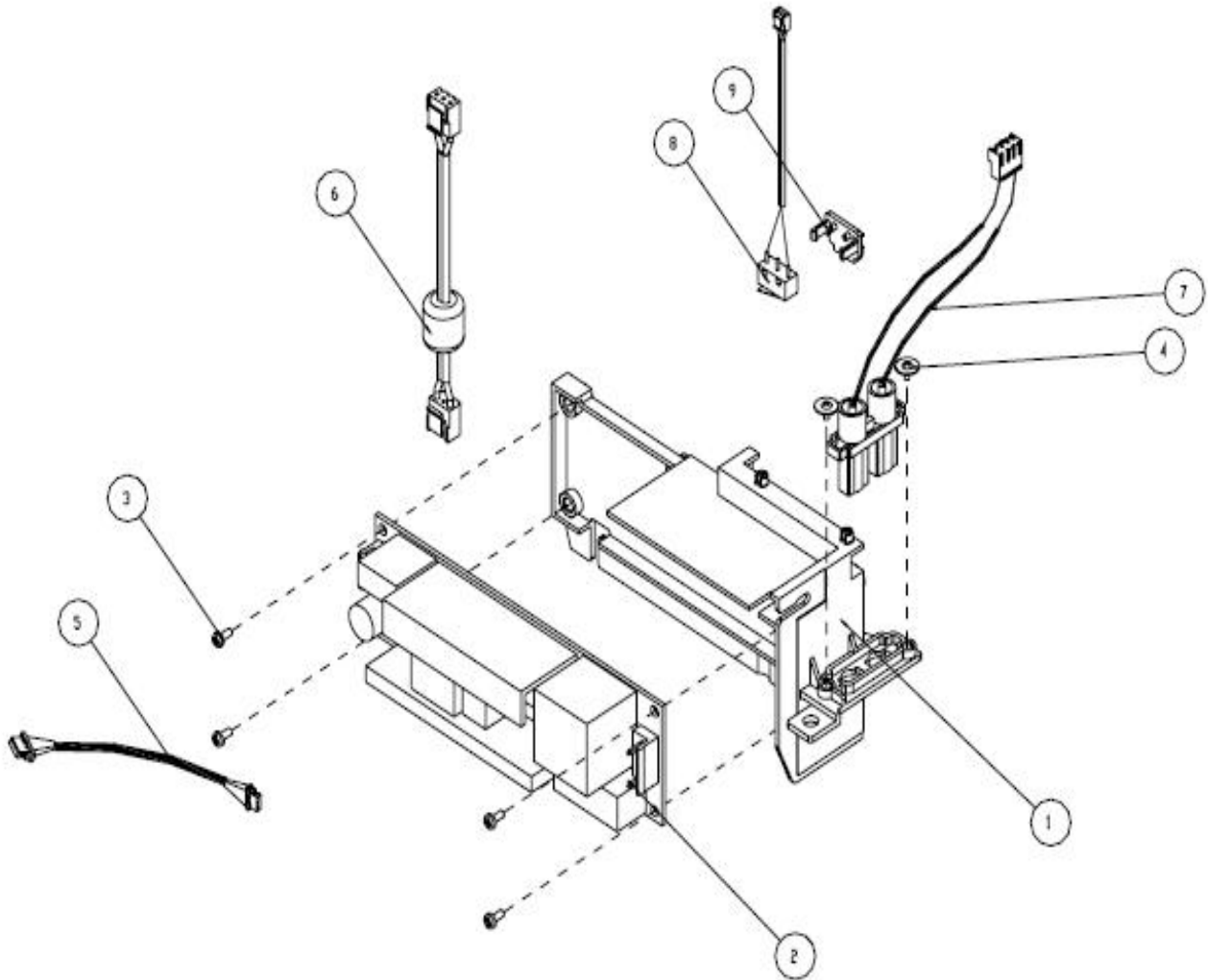
item	P/N	Rev	Description	Parts Supply
1	75.88T03G001	A	ASSY TOP COVER X1160	
2	70.88T01G001	A	ASSY BOTTOM HOUSING MODULE X1160	
3	85.1A323G080	A	SCREW PAN MECH M3*8 BLACK "GREEN"	
4	70.88T02G001	A	ASSY LAMP MODULE X1160	
5	51.88T05G001	A	LAMP COVER X1160	
6	61.00061G001	A	LOCK SCREW PAN MECH M3*8.5-3.5 Ni	

# ASSY BOTTOM HOUSING MODULE X1160



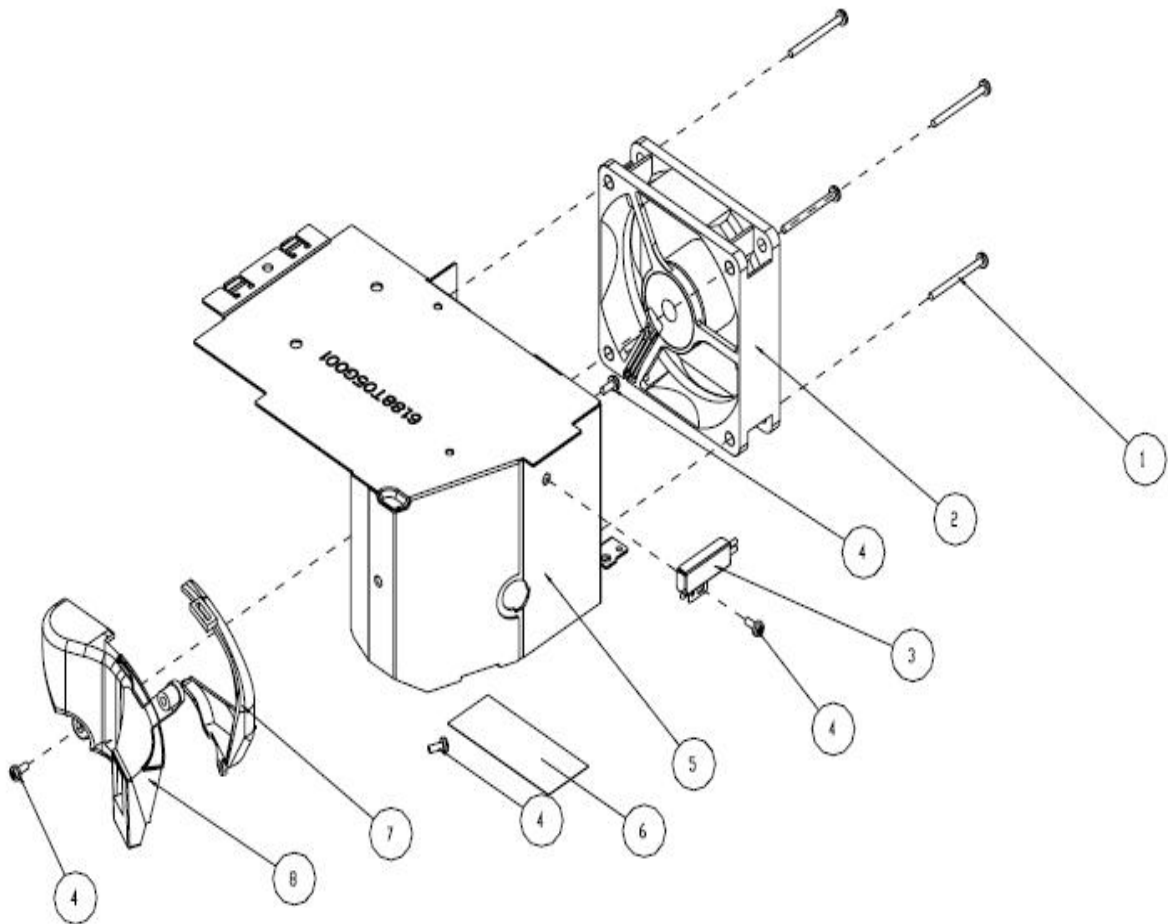
item	P/N	Rev	Description	Parts Supply
1	70.88T09G001	A	ASSY HOUSING MODULE X1160	
2	75.88T01G001	A	ASSY LVPS MATRITEK 160W XD1130	
3	61.88T09G001	A	BRKT INLET X1160	
4	85.1A123G060	A	SCREW PAN MECH M3*6 NI	
5	51.88T03G001	A	FRONT COVER X1160	
6	70.88T05G001	A	ASSY ENGINE MODULE X1160	
7	70.88T03G001	A	ASSYMAIN-BD MODULE X1160	
8	70.88T06G001	A	ASSY FAN SHIELDING X1160	
9	85.1A326G060	A	SCREW PAN HEAD MECH M2.6*6 BLACK	
10	70.88T04G001	A	ASSY LAMP DRIVER MODULE X1160	
11	61.88T02G001	A	SHIELDING TOP COVET X1160	
12	41.85A01G001	A	EMI GASKET / 10*27*20	
13	41.88T01G001	A	EMI q L85*W20	
14	42.00454G001	A	W.A 8P 120mm MB TO LVPS X1160	
15	85.1C224G050	A	SCREW PAN MECH M4*5 COLOR W/TOOTH WASHER	

# ASSY LAMP DRIVER MODULE X1160



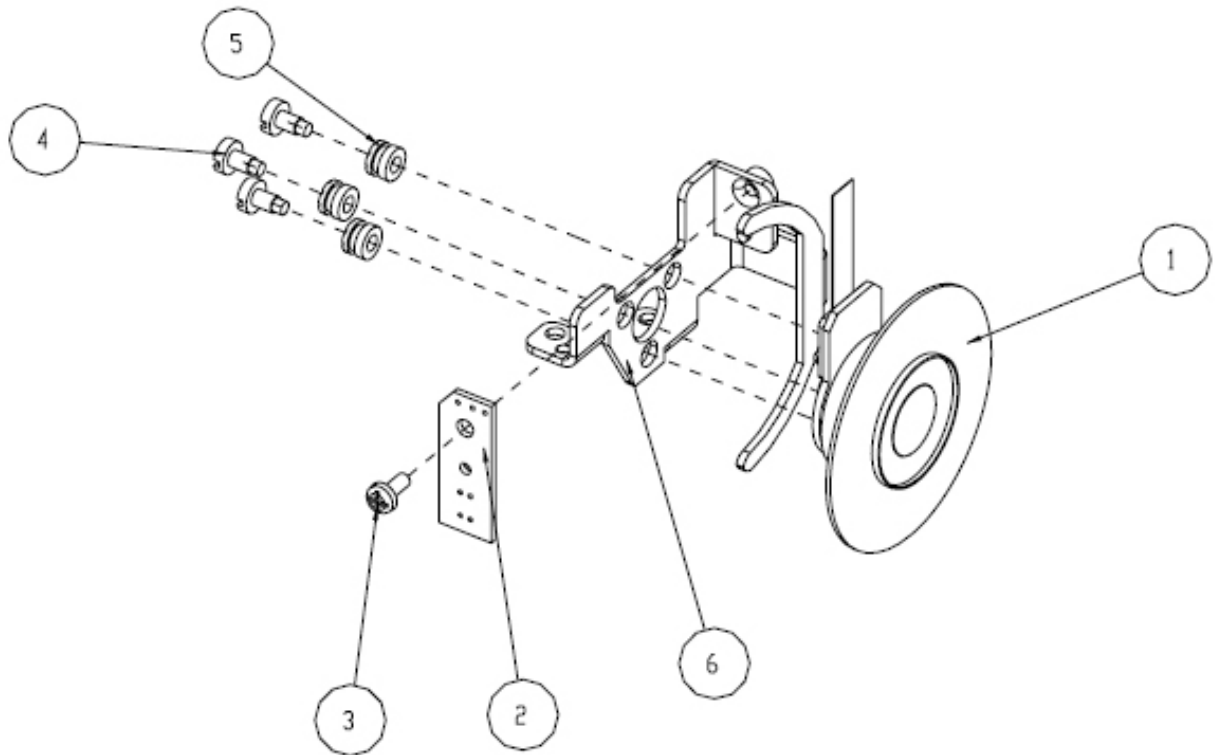
item	P/N	Rev	Description	Parts Supply
1	51.88T11G001	A	HOLDER LAMP DRIVER X1160	
2	75.88T02G001	A	ASSY OSRAM LAMP DRIVER 160W(O6 MIC)	
3	85.1A123G060	A	SCREW PAN MECH M3*6 NI	
4	85.3A122G040	A	SCREW CAP MECH M2*4 Ni	
5	42.00422G001	A	W.A 5P 150mm LAMP DRIVER TO MB X1160	
6	42.81G01G001	A	CABLE W.A. 2P #20 160mm LAPS TO BALLAST PD120	
7	42.85F01G001	A	CABLE W.A. 2P #22 160mm LAMP DRIVER TO LAMP EP1690	
8	75.88T05G001	A	ASSY INTERRUPT SWITCH MODULE XD1130	
9	51.88N25G001	A	INTERLOCK SWITCH HOLDER PC MN3600H,EP721	

# ASSY FAN SHIELDING X1160



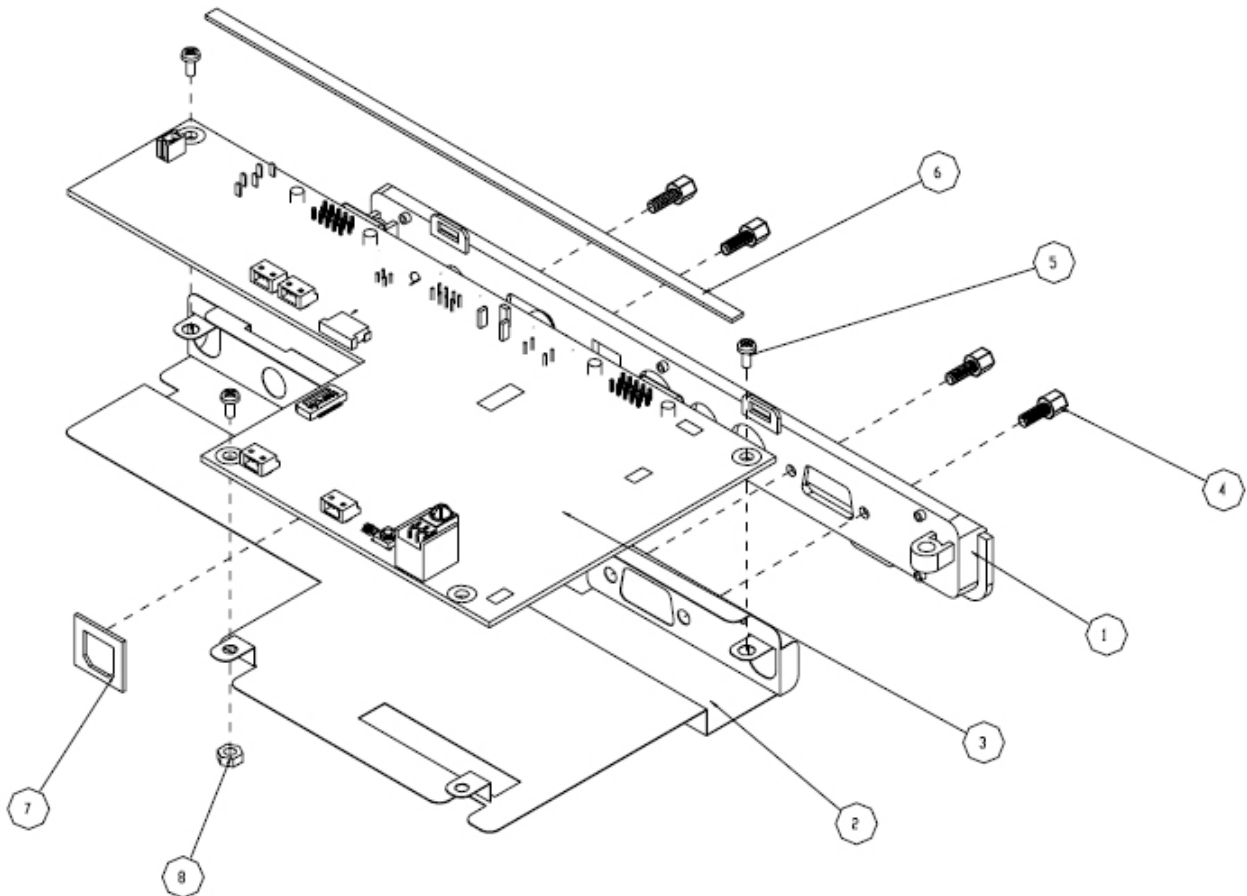
item	P/N	Rev	Description	Parts Supply
1	85.1F123G260	A	SCREW PAN MECH E/SF M3*26 Ni	
2	49.88T01G001	A	SUNON, KDE1207PKV1-A 70*70*20mm AXIAL FAN	
3	43.88T01G001	A	THERMAL SWITCH WITH BRACKET	
4	85.1A123G060	A	SCREW PAN MECH M3*6 NI	
5	61.88T05G001	A	SHIELDING ONE FAN X1160	
6	41.83C09G001	A	EMI TAPE W20*L50	
7	51.88T13G001	A	CAP ONE FAN DUCT X1160	
8	61.88T12G001	A	BODY ONE FAN DUCT X1160	

# ASSY COLOR WHEEL MODULE X1160



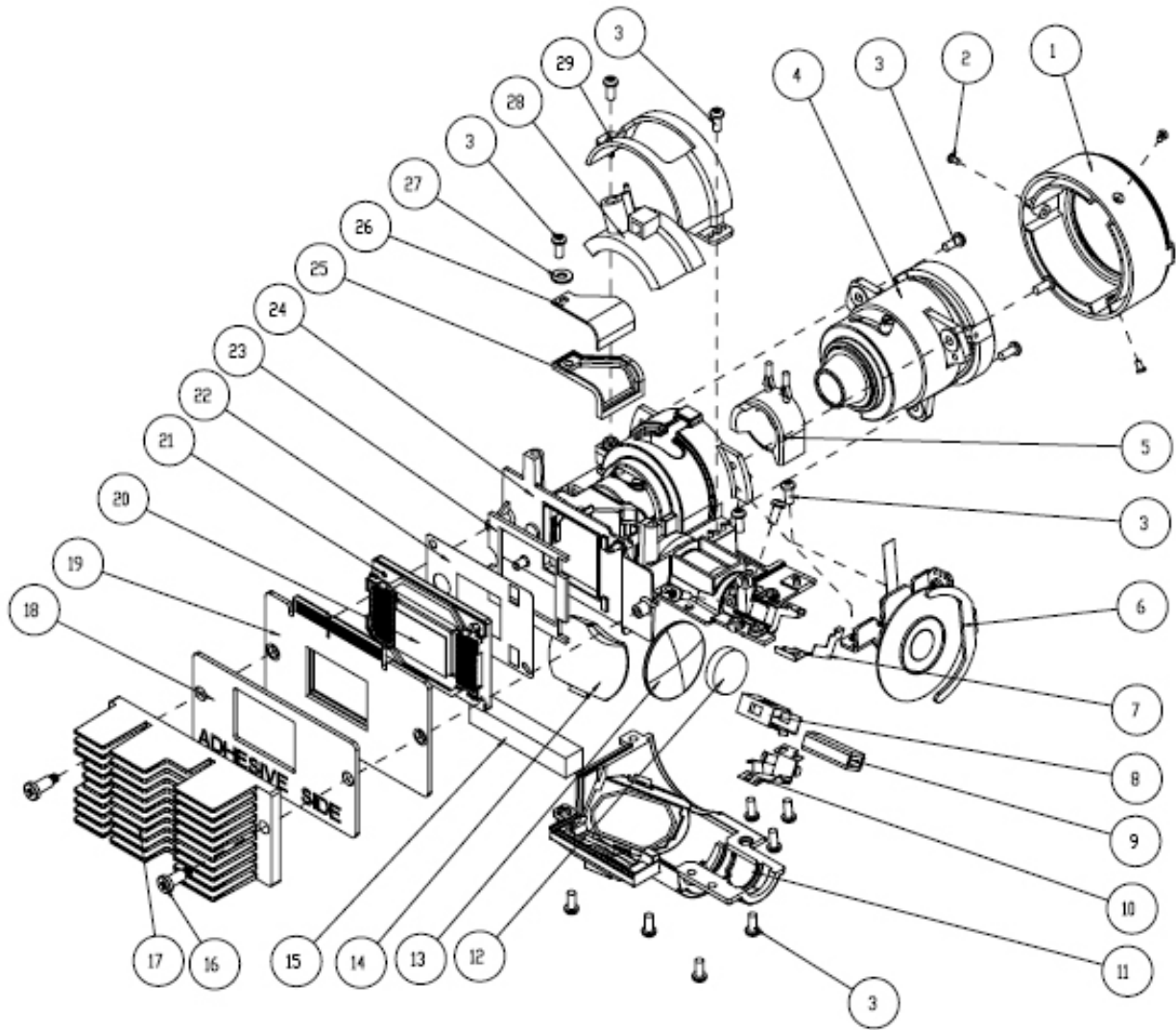
item	P/N	Rev	Description	Parts Supply
1	23.88T19G001	A	YO NA32R CW R90Y28G90C28W42B82 FOR X15	
2	80.87Y04G001	A	PCBA PHOTO SENSOR BOARD FOR PD7280	
3	85.1A126G040	A	SCREW PAN MECH M2.6*4 Ni	
4	61.83628G001	A	COLOR WHEEL SHOULDER SCREW,EzPro755	
5	52.83615G001	A	COLOR WHEEL DISC RUBBER, EzPro755	
6	61.88N10G001	A	COLOR WHEEL HOLDER SECC,X15	

# ASSY MAIN-BD MODULE X1260



item	P/N	Rev	Description	Parts Supply
1	51.88T04G001	A	IO COVER X1160	
2	61.88T16G001	A	SHIELDING MAIN-BD X1160	
3	80.89B01G001	A03	PCBA MAIN BOARD FOR X1260	
4	85.005AGG075	A	SCREW HEX I/O #4-40*H5*L7.5 Ni NYLOK	
5	85.1A123G060	A	SCREW PAN MECH M3*6 NI	
6	41.88T02G001	A	EMI GASKET L180*W4*H1	
7	41.82G03G001	A	EMI GASKET USB CONNECTOR EP719	
8	86.0A123G024	A	HEX NUT M3*0.5P L2.4 Ni	

# ASSY ENGINE MODULE X1260



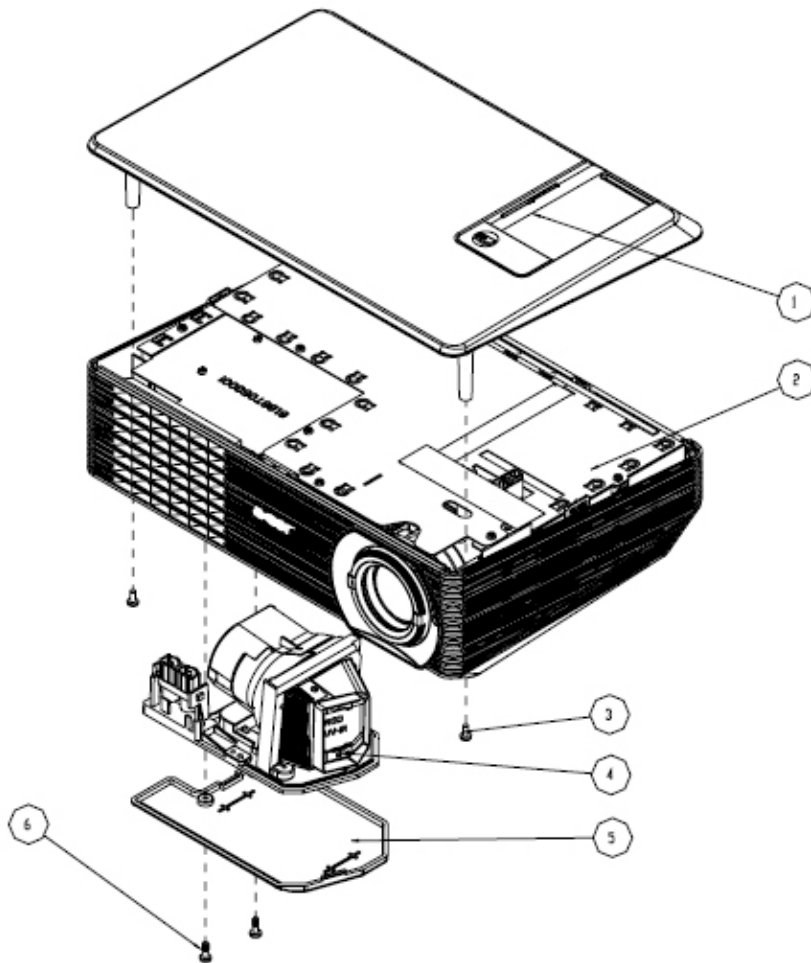
item	P/N	Rev	Description	Parts Supply
1	51.88T09G001	A	FOCUS RING X1160	
2	85.WA321G050	A	SCREW PAN HEAD M1.7*5 BLACK "	
3	85.1A126G060	A	SCREW PAN MECH M2.6*6 Ni	
4	23.88N01G001	A	YO PROJECTION LENS YM09X FOR X15	
5	52.89F01G001	A	PROJECTION LENS RUBBER HD65	
6	70.88T08G001	A	ASSY COLOR WHEEL MODULE X1160	
7	61.88N13G001	A	ROD COVER SUS301,X15	
8	61.88N14G001	A	ROD HOLDER SUS301,X15	
9	23.88N17G001	A	YO INTEGRATING ROD FOR x15	
10	61.88N12G001	A	ROD SPRING SUS301,X15	
11	70.88T07G001	A	ASSY ENGINE BOTTOM MODULE X1160	
12	23.88N20G001	A	YO CONDENSER1 FOR X15	
13	23.88N20G011	A	YO CONDENSER2 FOR X15	
14	23.88N06G002	A	PRODISC X15 PLASTIC RELAY LENS	
15	41.85W05G001	A	EMI GASKET W8*H8*L45	
16	85.4A826G118	A	STEP SCREW FOR TYPEX DMD M2.6*11.8mm,X15	
17	61.88N03G001	A	DMD HEAT SINK AL1070,X15	
18	52.88N03G001	A	HEAT SINK RUBBER,X15	
19	80.88T02G001	A03	PCBA DMD BOARD FOR XD1130	
20	52.87J01G001	A	DMD THERMAL PAD 25*17*0.5t FUJIPOLY SARGON GR-Hn	
21	48.87M01G001	A	DMD Type-X 1024x768 PIXEL 0.55" XGA LVDS "TI"	
22	61.88N15G001	A	DMD MASK SUS301,X15	
23	52.88N04G001	A	DMD RUBBER,X15	
24	61.88N01G001	A	ENGINE BASE MG,X15	
25	52.88N01G001	A	OFF RAY RUBBER,X15	
26	61.88N05G001	A	OFF RAY PLATE AL5052,X15	
27	87.FL030G008	A	WASHER FLAT 7*3.1*0.8t PC PINGOOD WS-1M	
28	51.89B04G001	A	ZOOM RING X1260	
29	51.89B01G001	A	HOLDER ZOOM RING X1260	

X1160/X1260

Confidential

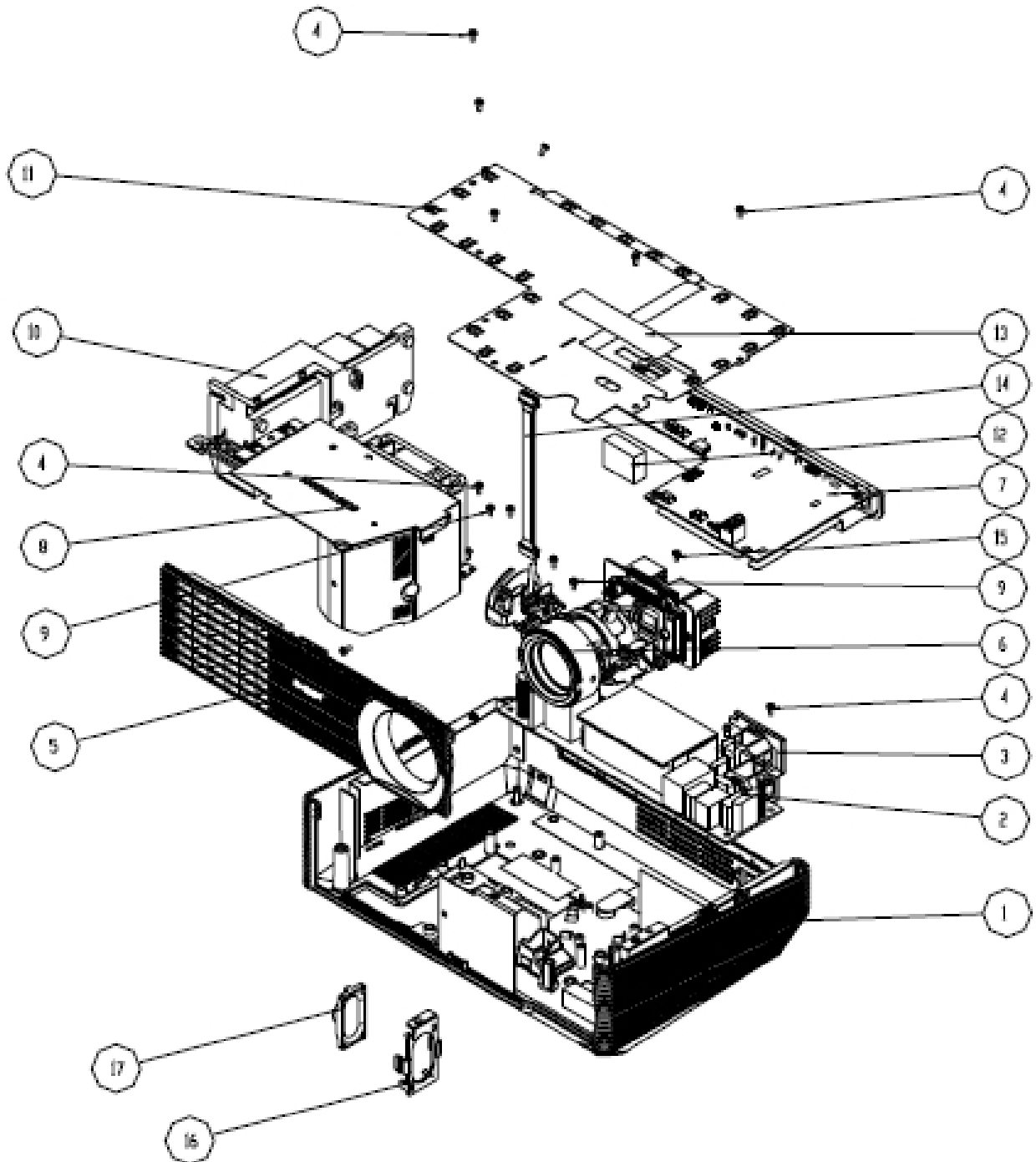
XX

## D.C. X1260



item	P/N	Rev	Description	Parts Supply
1	75.88T03G001	A	ASSY TOP COVER X1160	
2	70.89B04G001	A	ASSY BOTTOM HOUSING MODULE X1260	
3	85.1A323G080	A	SCREW PAN MECH M3*8 BLACK "GREEN"	
4	70.88T02G001	A	ASSY LAMP MODULE X1160	
5	51.88T05G001	A	LAMP COVER X1160	
6	61.00061G001	A	LOCK SCREW PAN MECH M3*8.5-3.5 Ni	

# ASSY BOTTOM HOUSING MODULE X1260



item	P/N	Rev	Description	Parts Supply
1	70.88T09G001	A	ASSY HOUSING MODULE X1160	
2	75.88T01G001	A	ASSY LVPS MATRITEK 160W XD1130	
3	61.88T09G001	A	BRKT INLET X1160	
4	85.1A123G060	A	SCREW PAN MECH M3*6 NI	
5	75.89B01G001	A	ASSY FRONT COVER X1260	
6	70.89B01G001	A	ASSY ENGINE MODULE X1260	
7	70.89B06G001	A	ASSYMAIN-BD MODULE X1260	
8	70.88T06G001	A	ASSY FAN SHIELDING X1160	
9	85.1A326G060	A	SCREW PAN HEAD MECH M2.6*6 BLACK	
10	70.88T04G001	A	ASSY LAMP DRIVER MODULE X1160	
11	61.88T02G001	A	SHIELDING TOP COVET X1160	
12	41.85A01G001	A	EMI GASKET / 10*27*20	
13	41.88T01G001	A	EMI q L85*W20	
14	42.00454G001	A	W.A 8P 120mm MB TO LVPS X1160	
15	85.1C224G050	A	SCREW PAN MECH M4*5 COLOR W/TOOTH WASHER	
16	51.89B05G001	A	EMI q L85*W20	
17	49.80J01G001	A	SPEAKER,3W,80HM,NEOSONICA,DAB128,200mm,VULCAN-1	