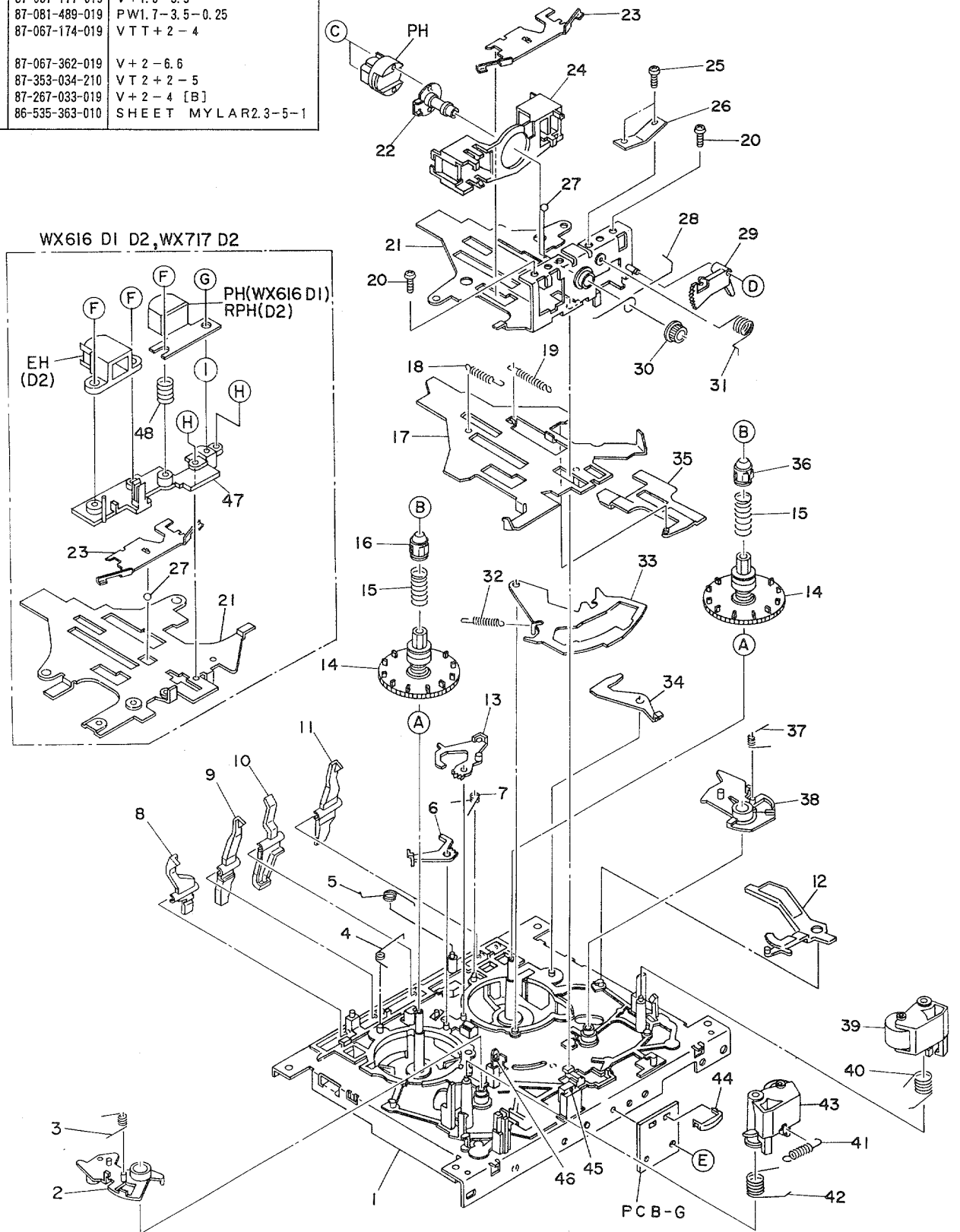


# EXPLODED VIEW - 2

REF. NO.	PART NO.	DESCRIPTION
A	87-067-470-019	PW4.1-6.9-0.13
B	86-524-418-019	VFT 2+1.4-5
C	87-067-177-019	V+1.6-5.5
D	87-081-489-019	PW1.7-3.5-0.25
E	87-067-174-019	VTT+2-4
F	87-067-362-019	V+2-6.6
G	87-353-034-210	VT 2+2-5
H	87-267-033-019	V+2-4 [B]
I	86-535-363-010	SHEET MYLAR2.3-5-1



# EXPLODED VIEW - 3

REF. NO.	PART NO.	DESCRIPTION
A	87-081-501-019	VTT+2.6-4
B	86-575-243-019	MOTOR SCREW
C	87-067-332-019	PW2.8-4.7-0.13
D	87-081-489-019	PW1.7-3.5-0.25
E	87-067-380-019	PW1.7-7-0.5

