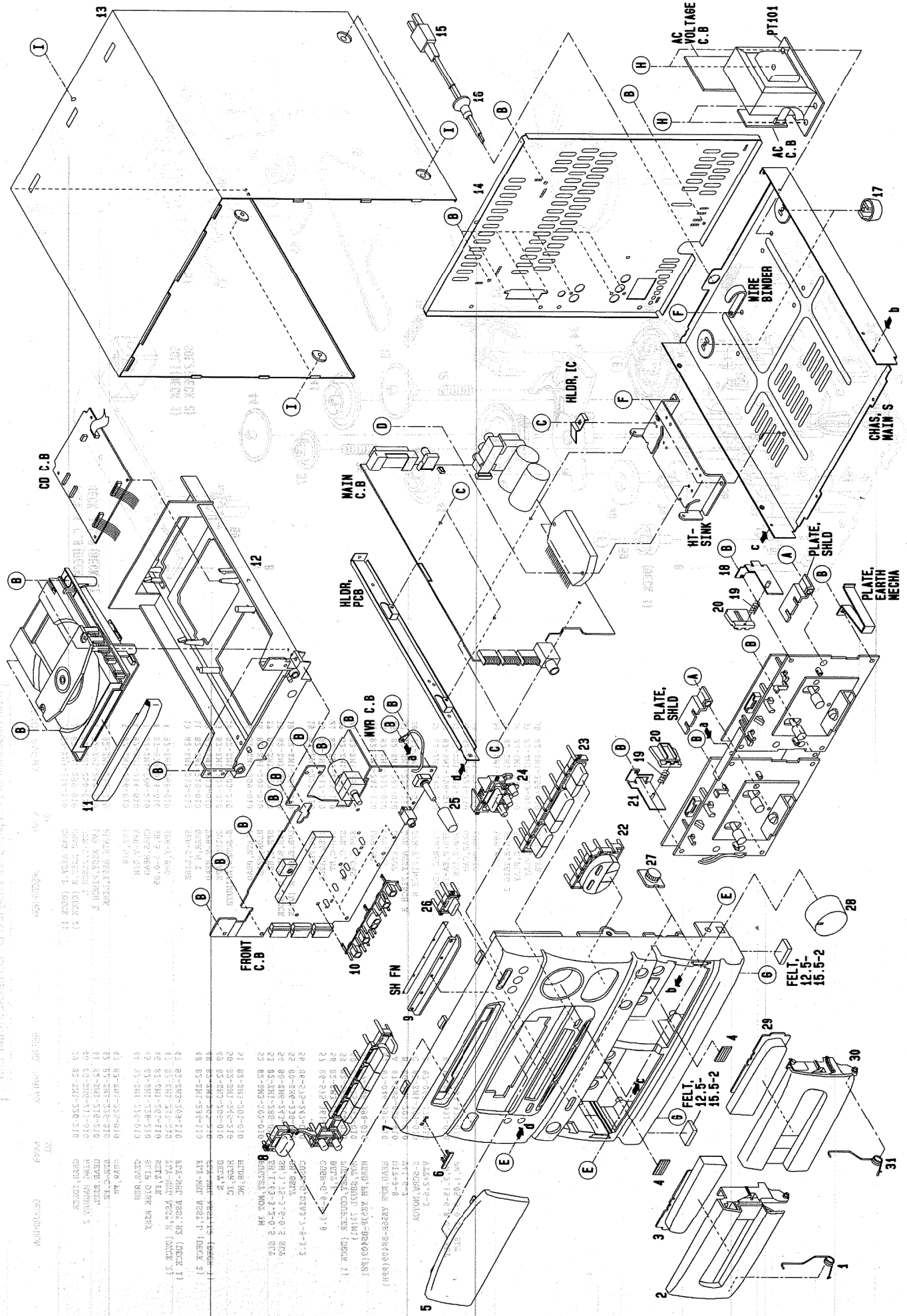


MECHANICAL EXPLODED VIEW 1/1

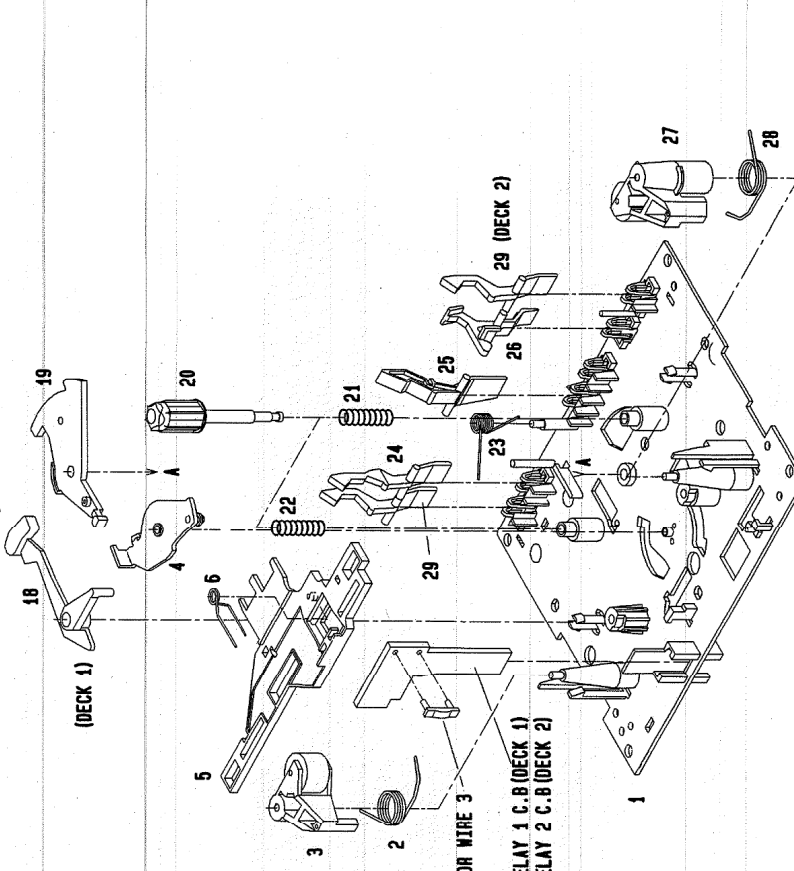
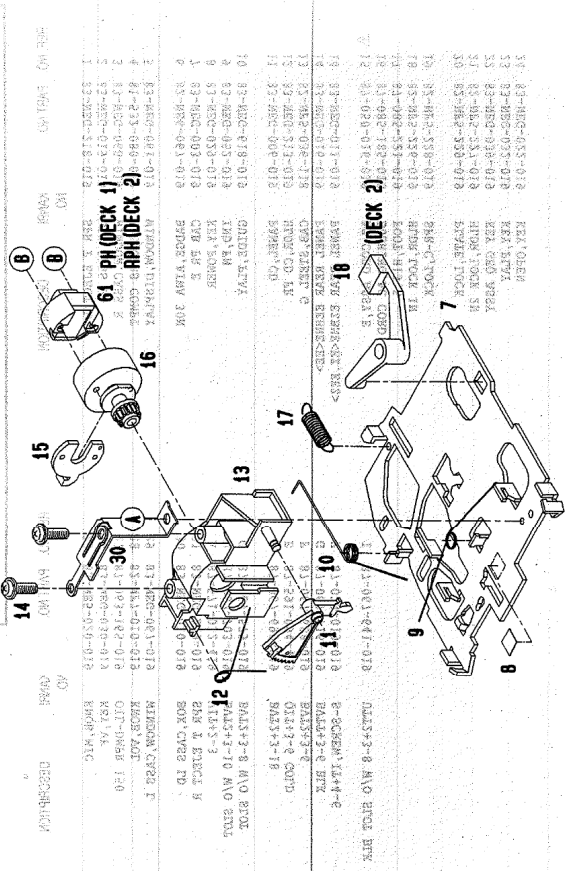


1	PT101	AC VOLTAGE C.B.
2	3	4
5	6	7
8	9	10
11	12	13
14	15	16
17	18	19
20	21	22
23	24	25
26	27	28
29	30	31

TAPE MECHANISM EXPLODED VIEW 1/1

WITELSTRA, JACHTAARDER

TELL ERVAAR OPHOEFELER " of relay should exactly reproduce (not imitate) it as it is

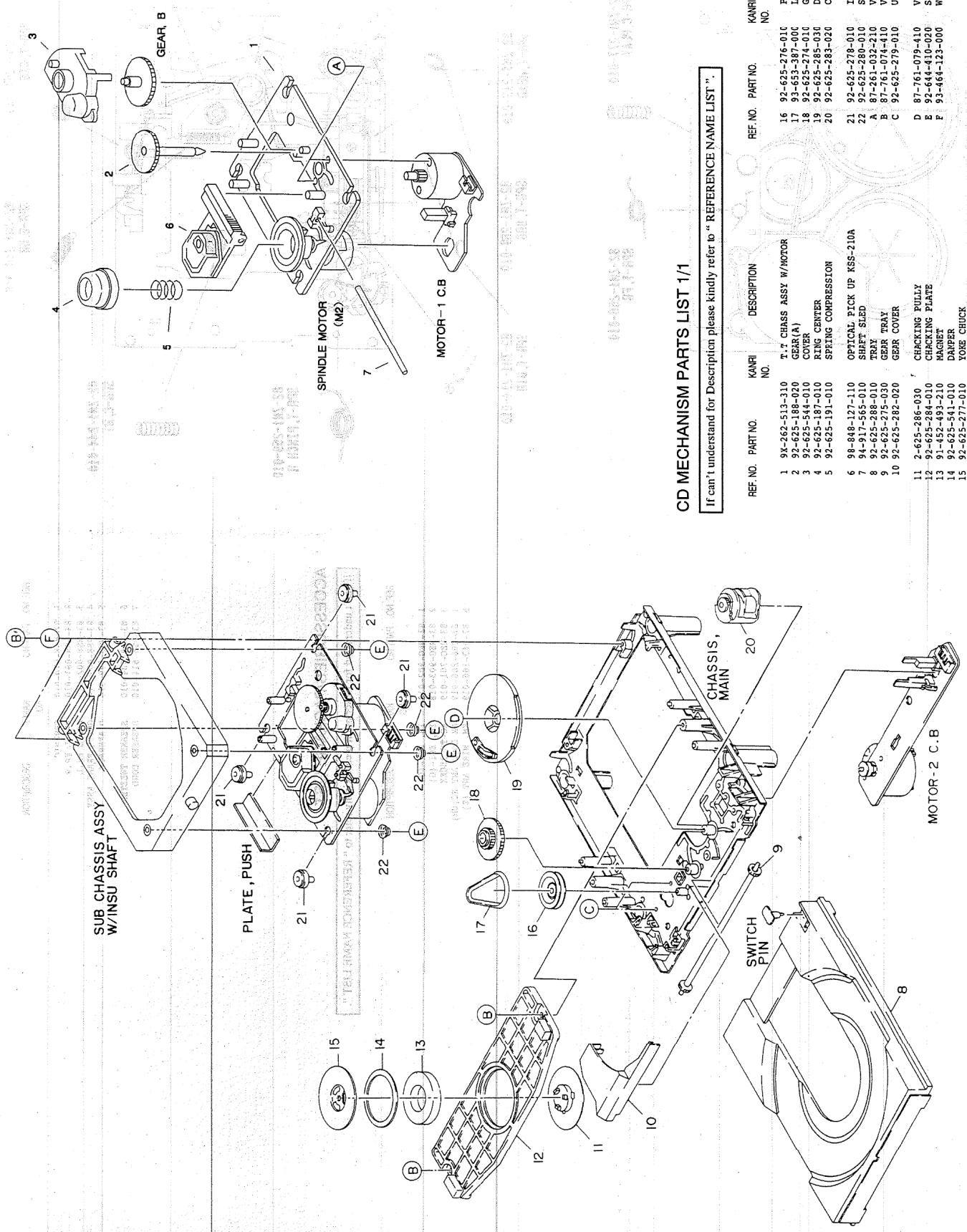


Part No.	Description	Quantity	Material
14	SCREW	1	STEEL
15	BRACKET	1	BRASS
16	MOTOR	1	BRASS
17	SPRING	1	STEEL
18	BRACKET	1	BRASS
19	BRACKET	1	BRASS
20	SCREW	1	STEEL
21	SPRING	1	STEEL
22	SPRING	1	STEEL
23	BRACKET	1	BRASS
24	BRACKET	1	BRASS
25	BRACKET	1	BRASS
26	BRACKET	1	BRASS
27	BRACKET	1	BRASS
28	BRACKET	1	BRASS
29	BRACKET	1	BRASS
30	BRACKET	1	BRASS

Part No.	Description	Quantity	Material
31	SPRING	1	STEEL
32	BRACKET	1	BRASS
33	BRACKET	1	BRASS
34	BRACKET	1	BRASS
35	SPRING	1	STEEL
36	SPRING	1	STEEL
37	SPRING	1	STEEL
38	BRACKET	1	BRASS
39	BRACKET	1	BRASS
40	BRACKET	1	BRASS
41	BRACKET	1	BRASS
42	SPRING	1	STEEL
43	BRACKET	1	BRASS
44	BRACKET	1	BRASS
45	BRACKET	1	BRASS
46	BRACKET	1	BRASS
47	BRACKET	1	BRASS
48	BRACKET	1	BRASS
49	BRACKET	1	BRASS
50	BRACKET	1	BRASS
51	BRACKET	1	BRASS
52	BRACKET	1	BRASS
53	BRACKET	1	BRASS
54	BRACKET	1	BRASS
55	BRACKET	1	BRASS
56	BRACKET	1	BRASS
57	BRACKET	1	BRASS
58	BRACKET	1	BRASS
59	BRACKET	1	BRASS
60	BRACKET	1	BRASS

Part No.	Description	Quantity	Material
61	PH (DECK 1)	1	BRASS
62	RPH (DECK 2)	1	BRASS
63	PH (DECK 1)	1	BRASS
64	RPH (DECK 2)	1	BRASS
65	PH (DECK 1)	1	BRASS
66	RPH (DECK 2)	1	BRASS
67	PH (DECK 1)	1	BRASS
68	RPH (DECK 2)	1	BRASS
69	PH (DECK 1)	1	BRASS
70	RPH (DECK 2)	1	BRASS
71	PH (DECK 1)	1	BRASS
72	RPH (DECK 2)	1	BRASS
73	PH (DECK 1)	1	BRASS
74	RPH (DECK 2)	1	BRASS
75	PH (DECK 1)	1	BRASS
76	RPH (DECK 2)	1	BRASS
77	PH (DECK 1)	1	BRASS
78	RPH (DECK 2)	1	BRASS
79	PH (DECK 1)	1	BRASS
80	RPH (DECK 2)	1	BRASS

CD MECHANISM EXPLODED VIEW 1/1



CD MECHANISM PARTS LIST 1/1

If can't understand for Description please kindly refer to "REFERENCE NAME LIST".

REF. NO.	PART NO.	KANRI NO.	DESCRIPTION	REF. NO.	PART NO.	KANRI NO.	DESCRIPTION
1	9X-262-513-310		T, T CHASS ASSY W/MOTOR	16	92-625-276-010		FULLY LOADING
2	92-625-188-020		GEAR (A)	17	93-653-387-000		LN BELT
3	92-625-544-010		COVER	18	92-625-274-010		GEAR HEDDLE
4	92-625-187-010		RING CENTER	19	92-625-285-030		DRIVE GEAR
5	92-625-191-010		SPRING COMPRESSION	20	92-625-283-020		CONTROL CAM
6	98-848-127-110		OPTICAL PICK UP KSS-210A	21	92-625-278-010		INSULATOR
7	94-917-565-010		SHAFT SLED	22	92-625-280-010		SPRING
8	92-625-288-010		TRAY	A	87-261-032-210		V42-3
9	92-625-275-030		GEAR TRAY	B	87-761-074-410		VFT2 2.6-8
10	92-625-282-020		GEAR COVER	C	92-625-279-010		042.6-2.5
11	2-625-286-030		CHECKING PULLY	D	87-761-079-410		VFT2 2.6-16
12	92-625-284-010		CHECKING PLATE	E	82-644-410-020		SCREW SMCH16A
13	91-452-493-210		MAGNET	F	93-464-123-000		WASHER
14	92-625-541-010		DAMPER				
15	92-625-277-010		YONE CHUCK				