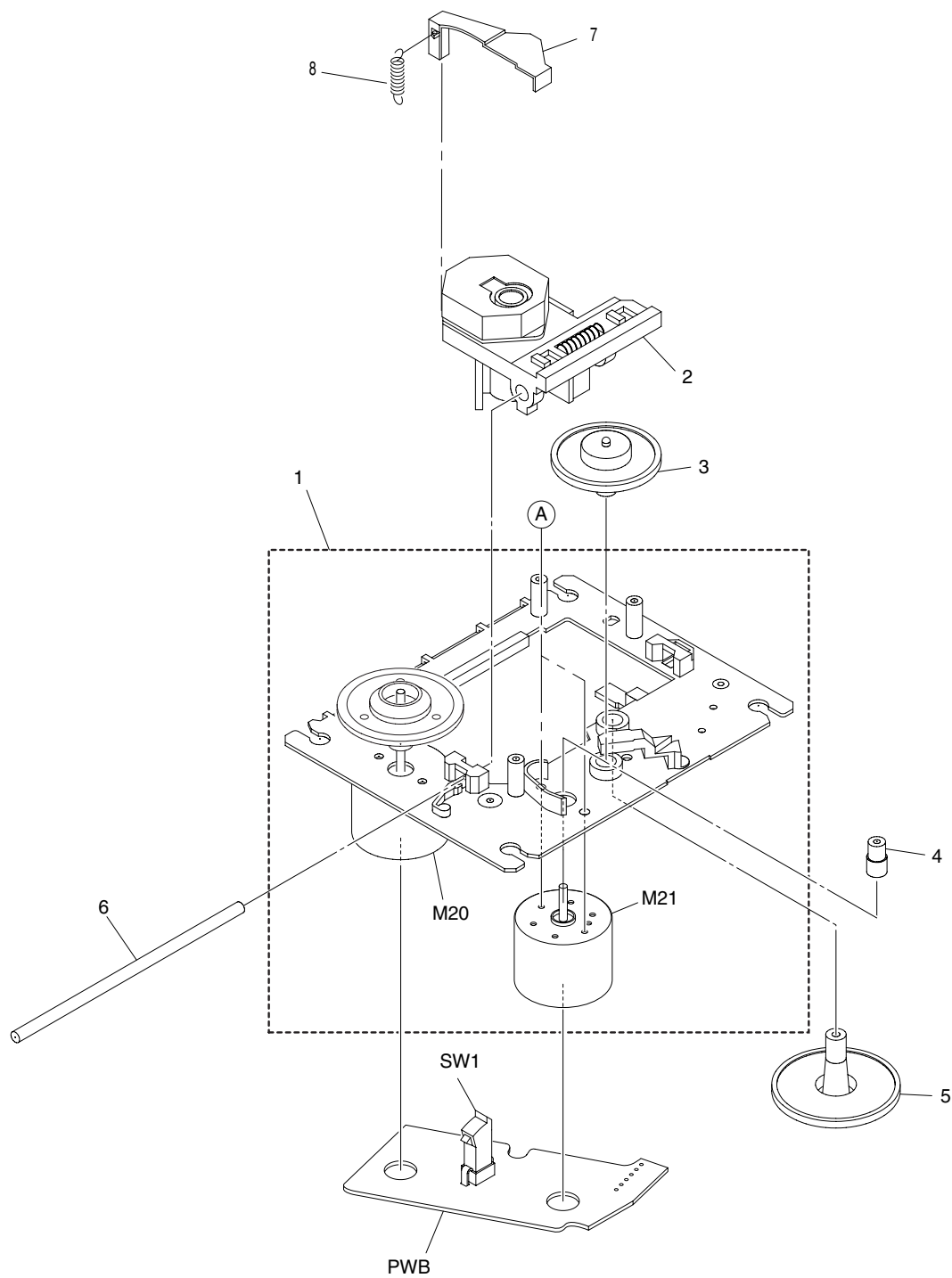
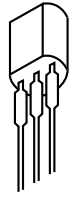


CD MECHANISM EXPLODED VIEW 2 / 2 < 3ZG-2 E3NM >



TRANSISTOR ILLUSTRATION



E C B

CC5551
KTA1266GR



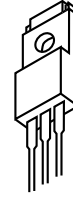
E C B

2SD655E



B C E

2SD2025



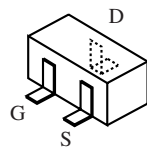
B C E

2SB1344

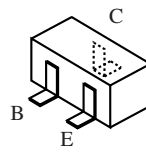


E C B

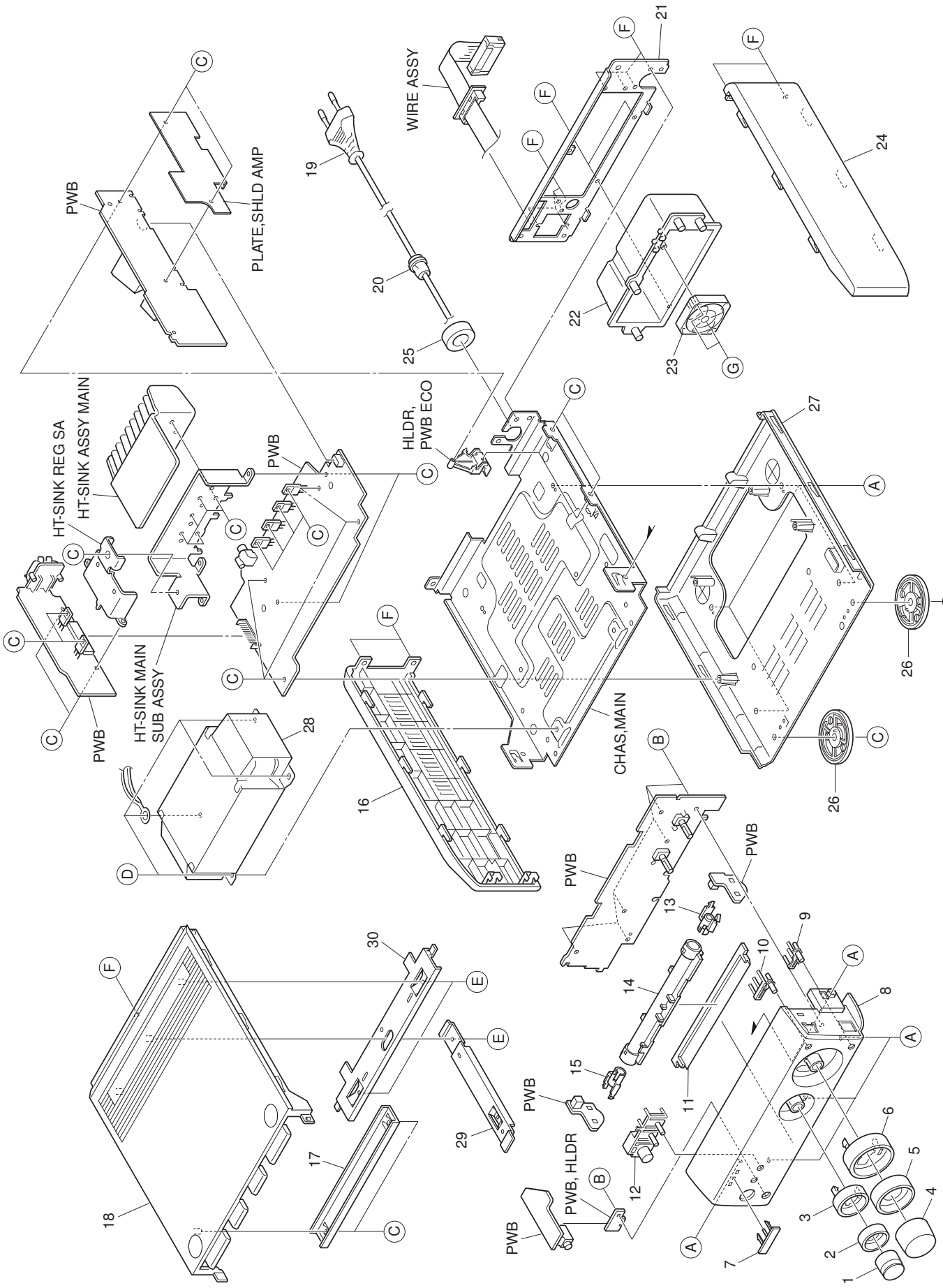
2SC4115SRS

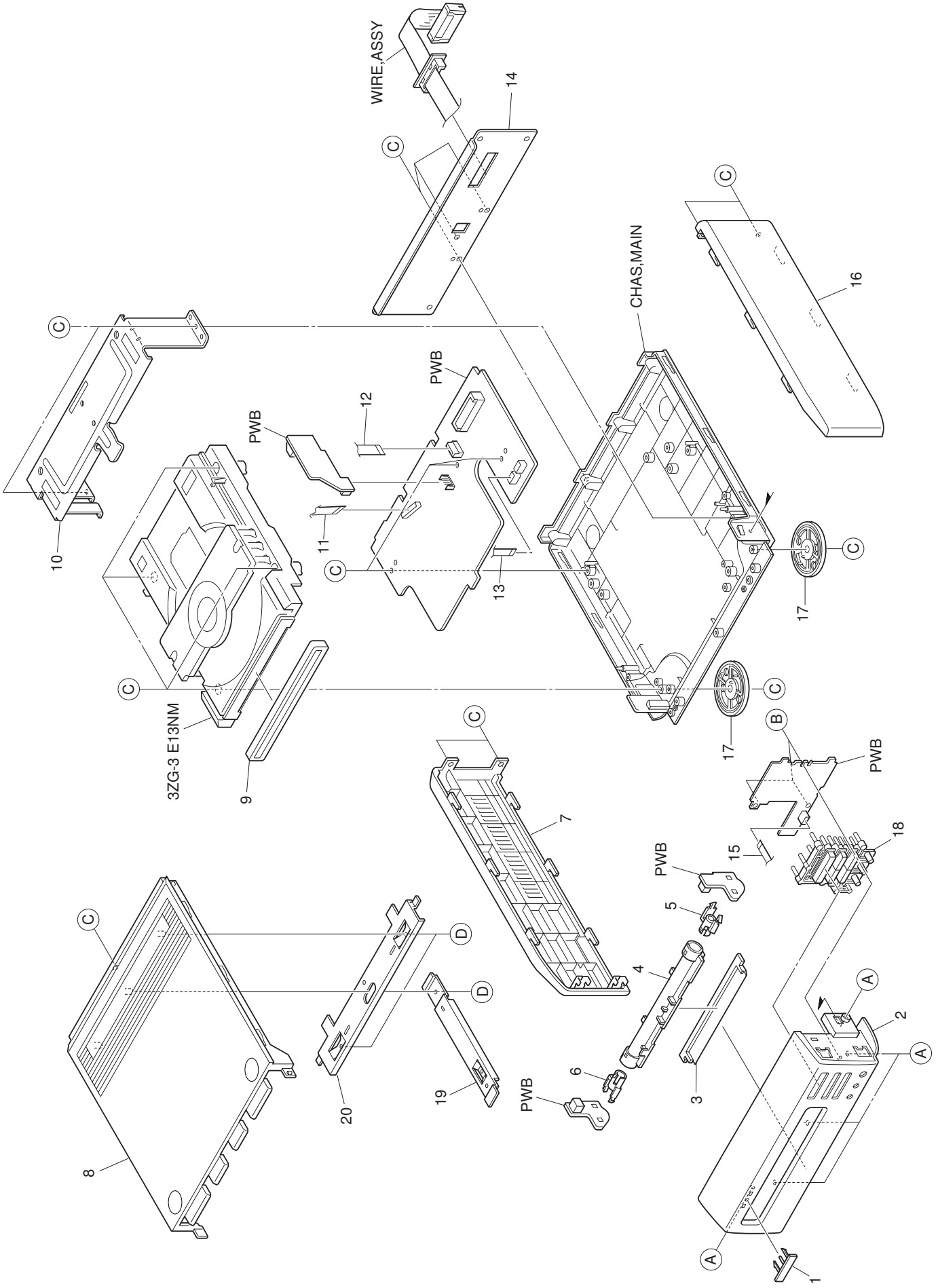


2SK2158



2SA1235F
2SA1514K(S)
2SC3052F
CMBT5551
RT1P141C
RT1P441C





CD MECHANISM EXPLODED VIEW 1 / 2 < 3ZG-3 E13NM >

