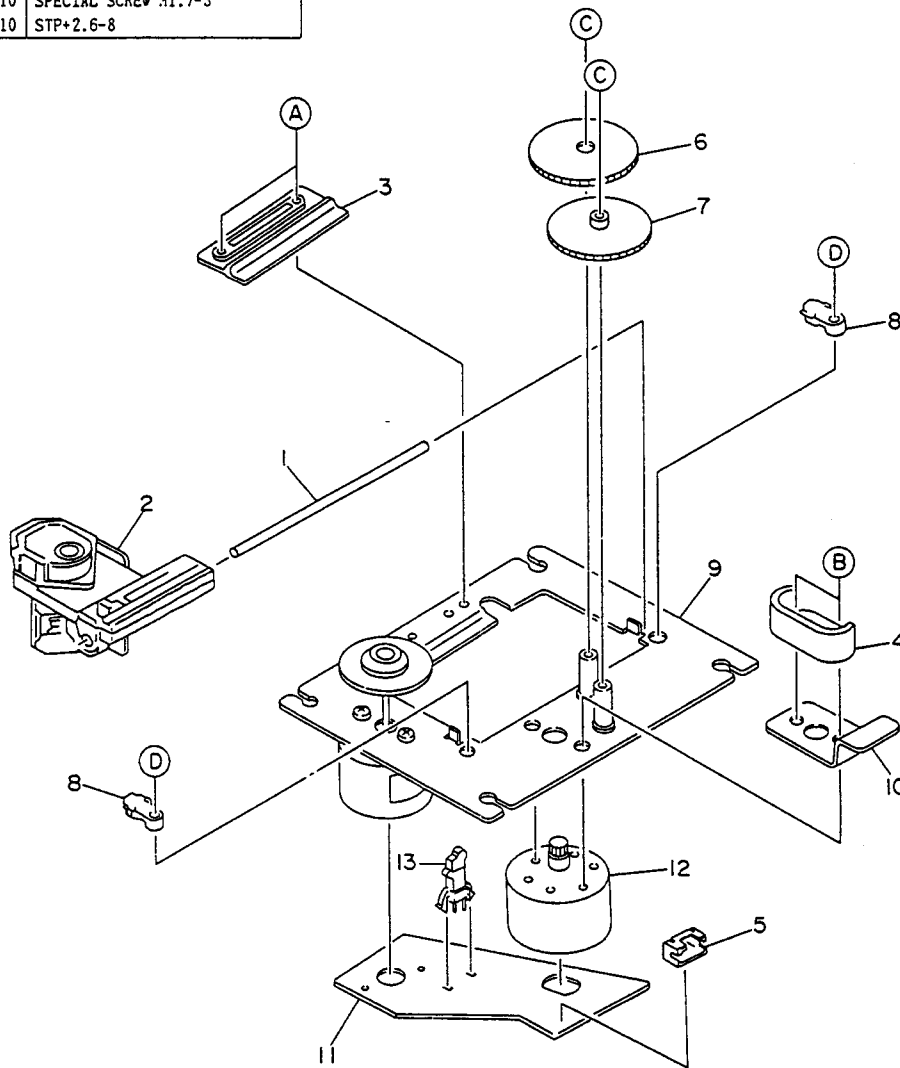


EXPLODED VIEW - 5 (FD - N5)

REF. NO.	PART NO.	DESCRIPTION
A	92-641-386-010	PTT+2-5
B	97-621-255-350	P+2-5
C	93-303-809-310	SPECIAL SCREW M1.7-3
D	92-641-447-010	STP+2.6-8



PART NO. CHANGED TO	REF. NO.	PART NO.	DESCRIPTION	COMMON MODEL	Q. TY
	5-1	★ 94-910-431-010	SHAFT, SLIDE		1
	5-2	98-848-127-310	PICK UP (KSS-210ASRP)		1
	5-3	★ 92-641-443-020	HOLDER, SLIDE		1
	5-4	★ 92-641-434-010	COVER, GEAR		1
	5-5	★ 92-564-720-110	CONNECTOR, PIN		1
	5-6	92-641-404-020	GEAR, A		1
	5-7	★ 92-641-403-050	GEAR, B		1
	5-8	★ 92-641-448-020	CLAMP, SHAFT		2
	※ 5-9	★ 9X-264-133-710	SP MOTOR ASSY (W/CHASSIS, T. T) (DISC) (RF-310T-11400)		1
	※ 5-9	9X-264-135-810	SP MOTOR ASSY (W/CHASSIS, T. T) (DISC) (MDN-4RA3NTAS)		1
	5-10	★ 92-641-371-010	STOPPER		1
	※ 5-11	★ 91-625-848-110	CD MOTOR 1 C. B (RF-310T-11400)		1
	※ 5-11	★ 91-628-263-110	CD MOTOR 1 C. B (MDN-4RA3NTAS/4RA3ETA)		1
	※ 5-12	9X-264-077-010	SLED MOTOR GEAR ASSY (SLED) (RF-310T-11400)		1
	※ 5-12	9X-264-134-410	SLED MOTOR GEAR ASSY (SLED) (MDN-4RA3ETA)		1
	5-13	91-572-053-110	SWITCH LEAF (LIMIT)		1

※ Caution

Two types of the spindle (DISC) motor and sled motor are used, but they are not compatible. Check the part numbers (MDN ..., RF ...) on the labels of motors and replace motors with the same one.