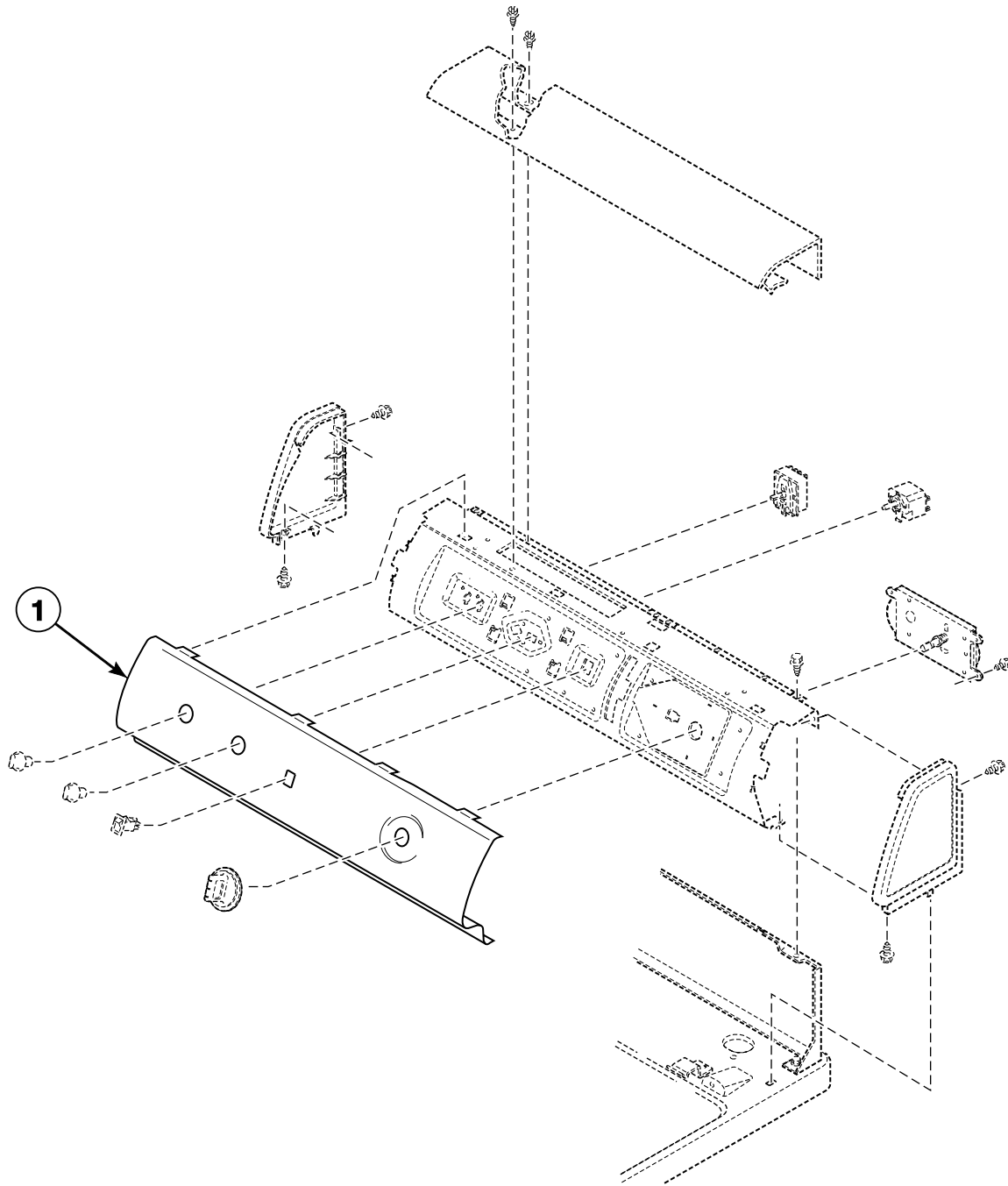
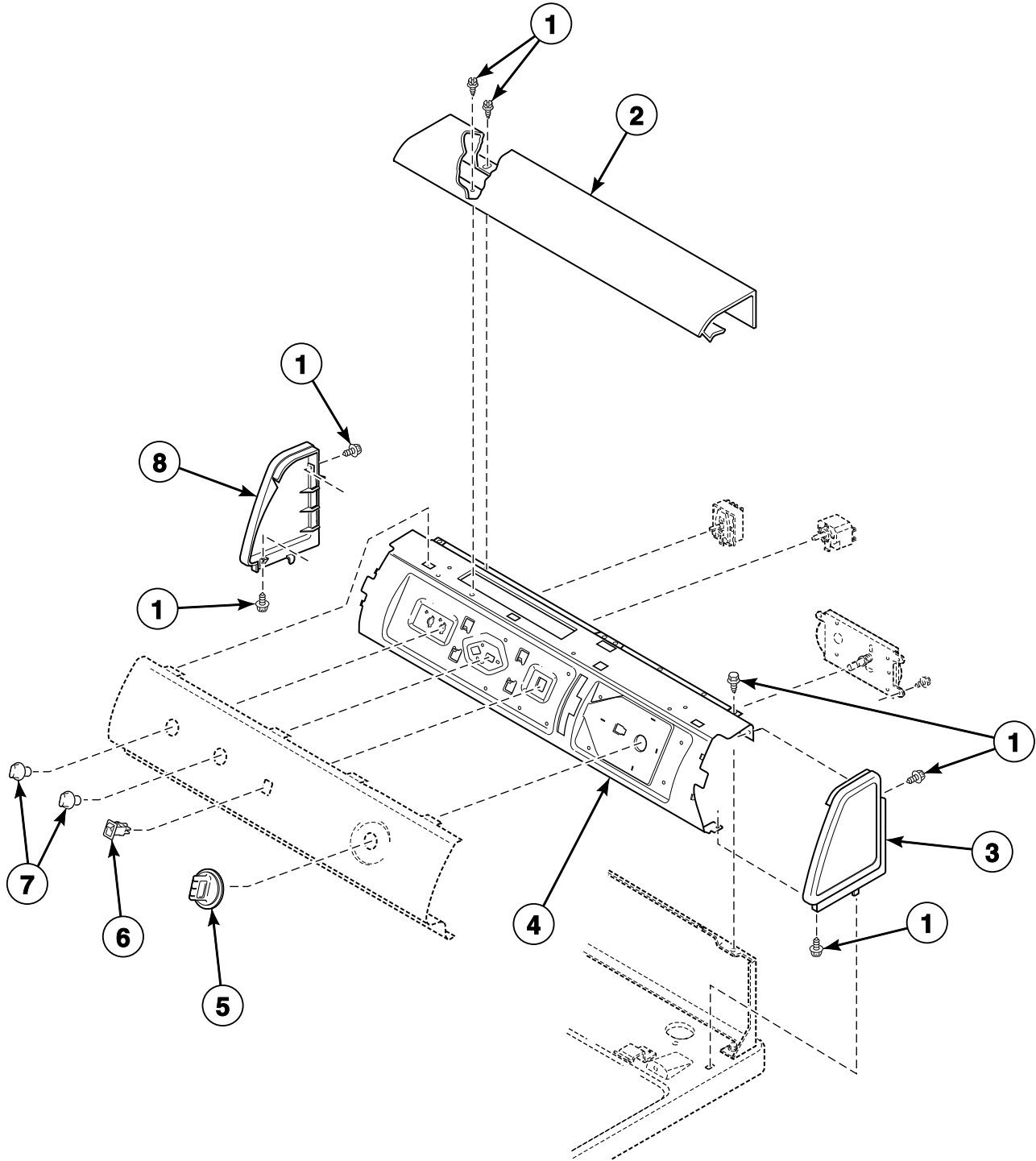


# Graphic Panel - Rear Control Models



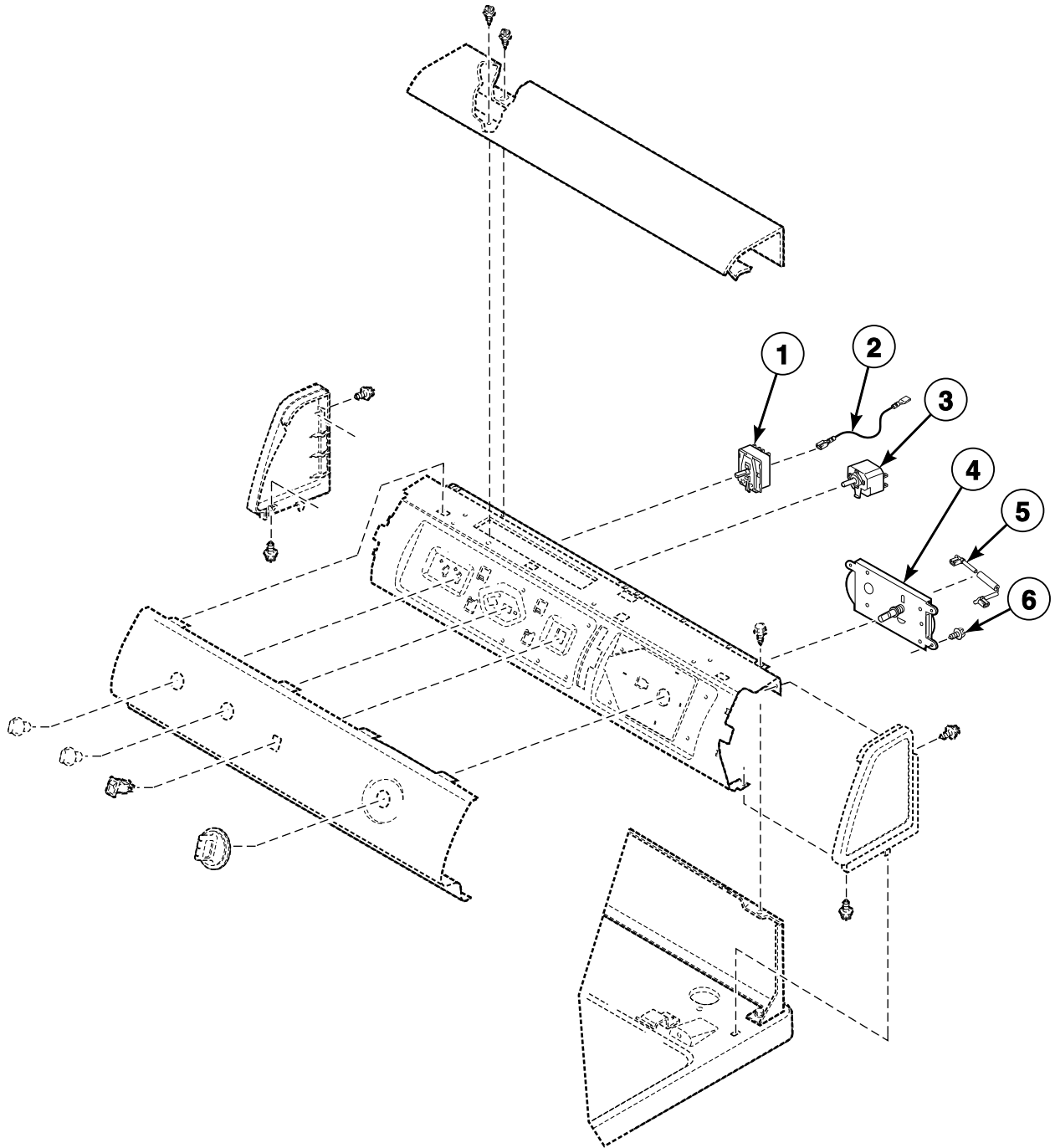
DRY1868P\_506054

# Control Panel and Knobs - Rear Control Models



DRY1858P\_506054

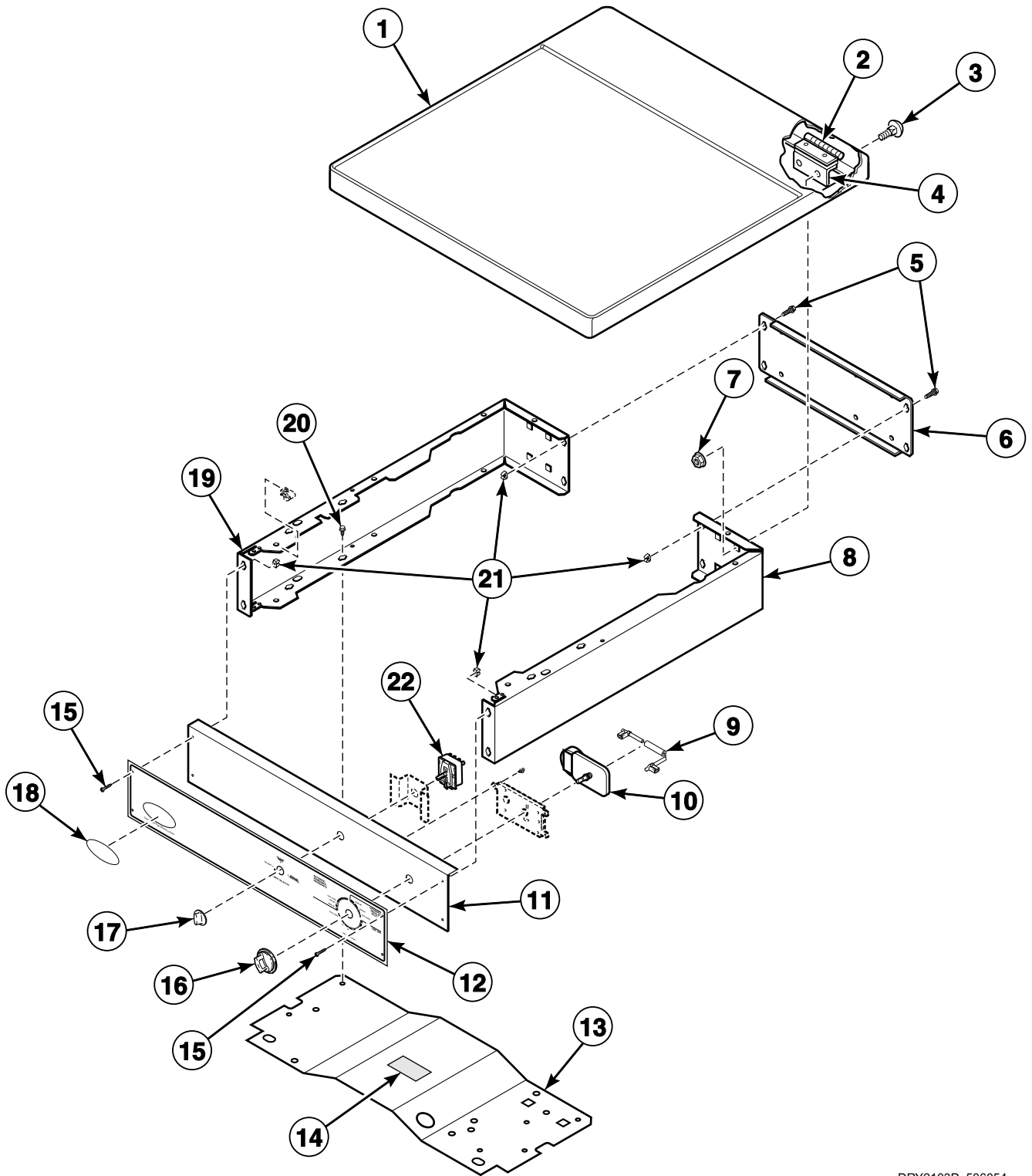
# Controls - Rear Control Models



DRY2279P\_506054

# Control Cabinet - Front Control Models

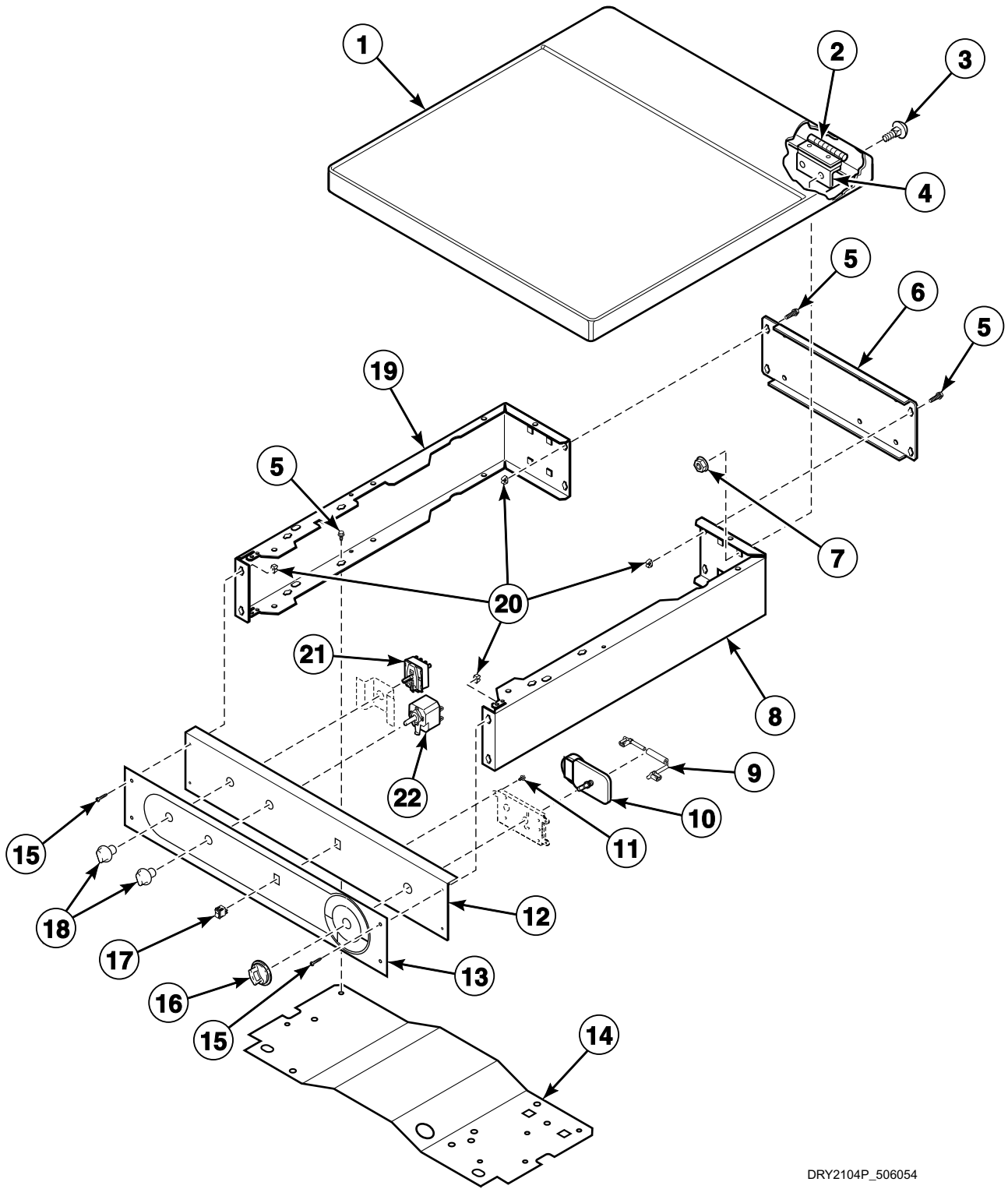
Models BDE30FGS171CW01, BDG30FGS111CW01, FEN16A\*G4018, FEN17A\*G3018, FEN17A\*G4018, FES16A\*G4018, FES17A\*F3300, FES17A\*F4350, FEU17A\*F1702, FEZ17A\*F1702, FGN16A\*M3013, FGN17A\*M3013, FGS17A\*F3060 and FGZ17A\*F1102



DRY2103P\_506054

# Control Panel and Controls - Front Control

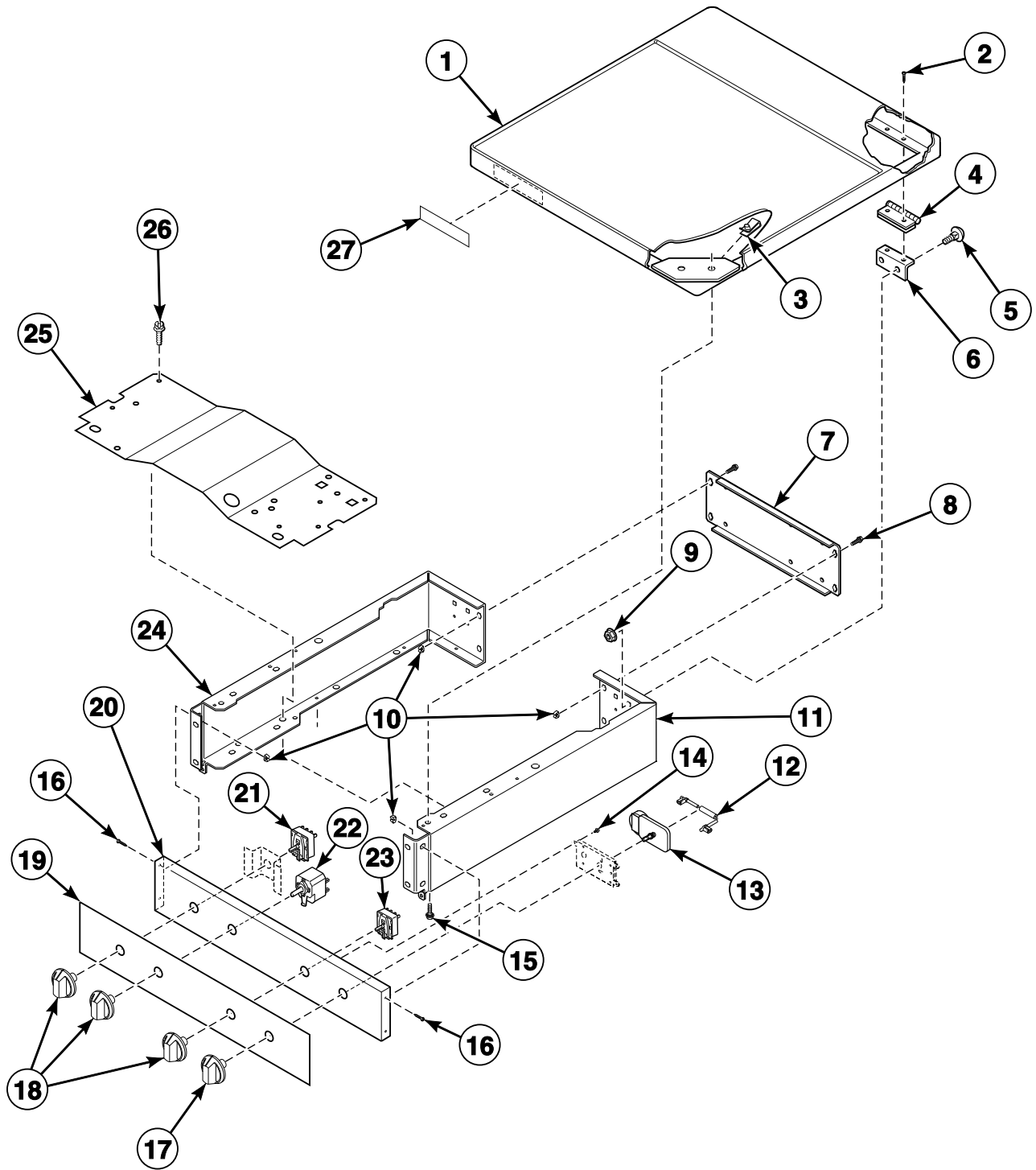
Models ADE3TFWS431AW01, ADG3TFWS301AW01, CDE4BFGS171CW01, CDG4BFGS111CW01, CEZ68A\*F1702, CGZ68A\*F1102, ZDE4BFGS171CW01 and ZDG4BFGS111CW01



DRY2104P\_506054

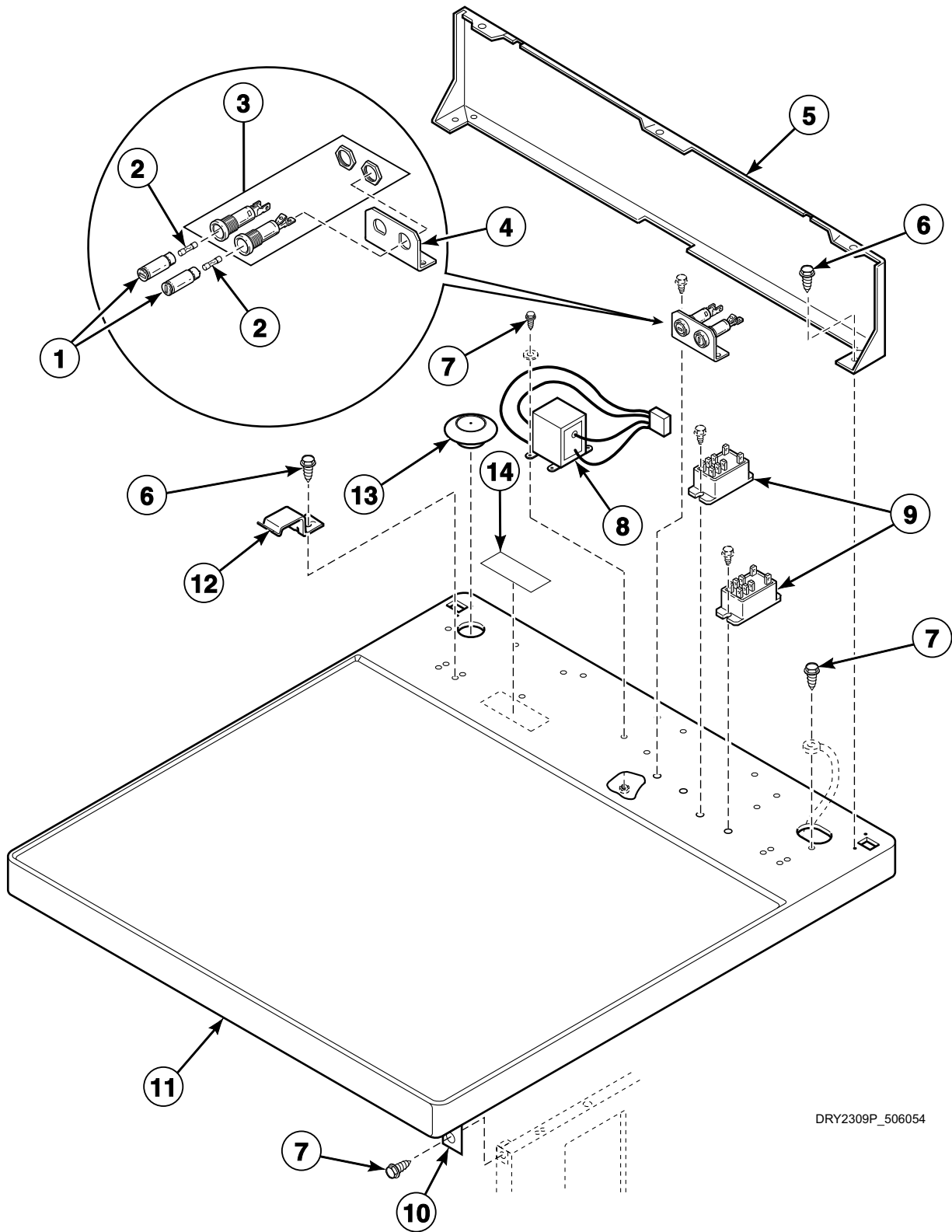
# Control Cabinet and Controls

Models ADE32FSS431AN01, ADE32FSS431NN22, ADE32FSS541RN01, ADE41FSS171TN03,  
ADG32FSS301AN01, ADG41FSS111TN03, ZDE41FSS171CN01 and ZDG41FSS111CN01



DRY2240P\_506054

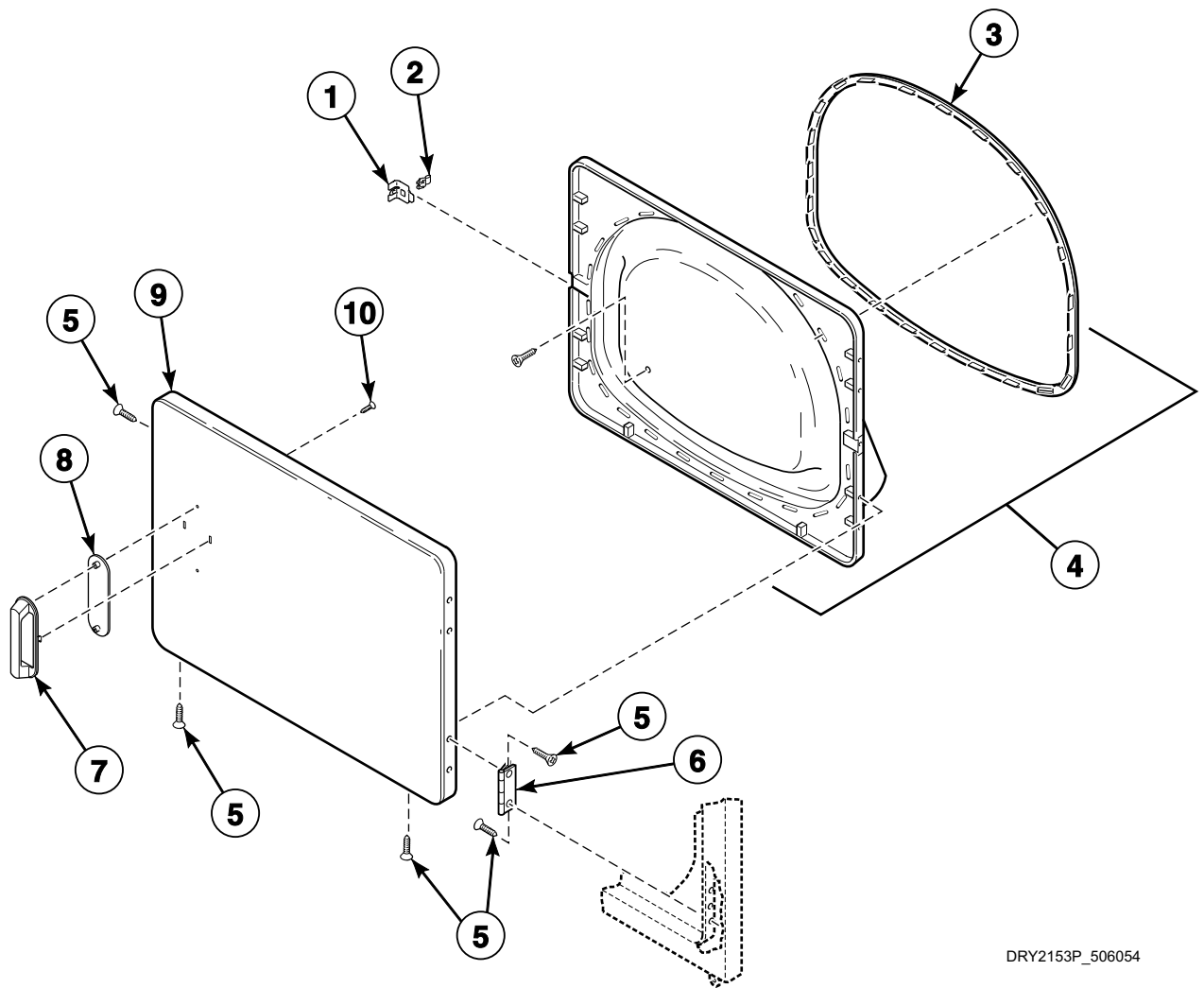
# Cabinet Top and Control Hood Rear Panel - Rear Control Models



DRY2309P\_506054

# Loading Door (Drawing 1 of 2)

Models ADE32FSS431AN01, ADE32FSS431NN22, ADE32FSS541RN01, ADE41FSS171TN03, ADG32FSS301AN01, ADG41FSS111TN03, ZDE41FSS171CN01 and ZDG41FSS111CN01

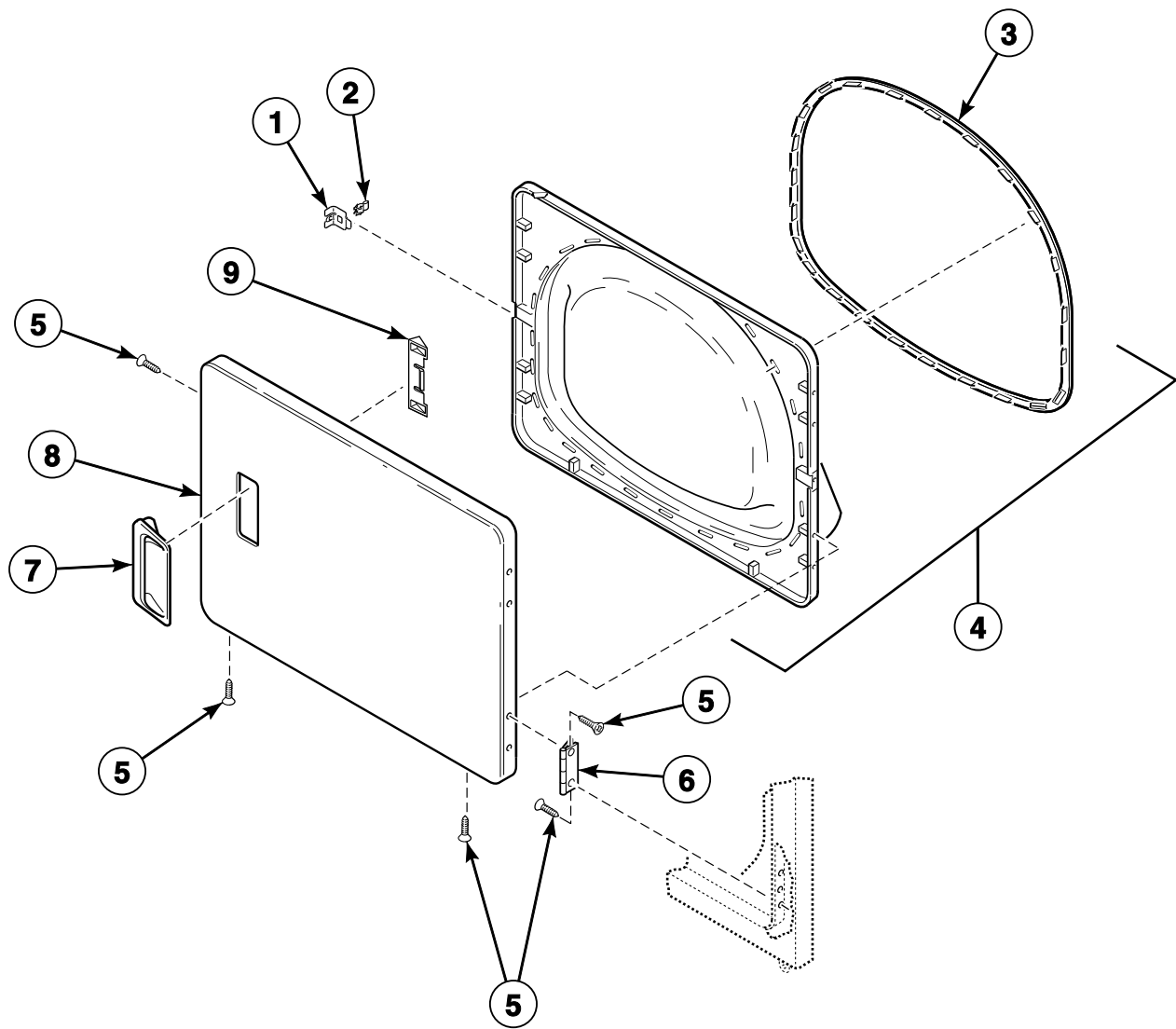


DRY2153P\_506054



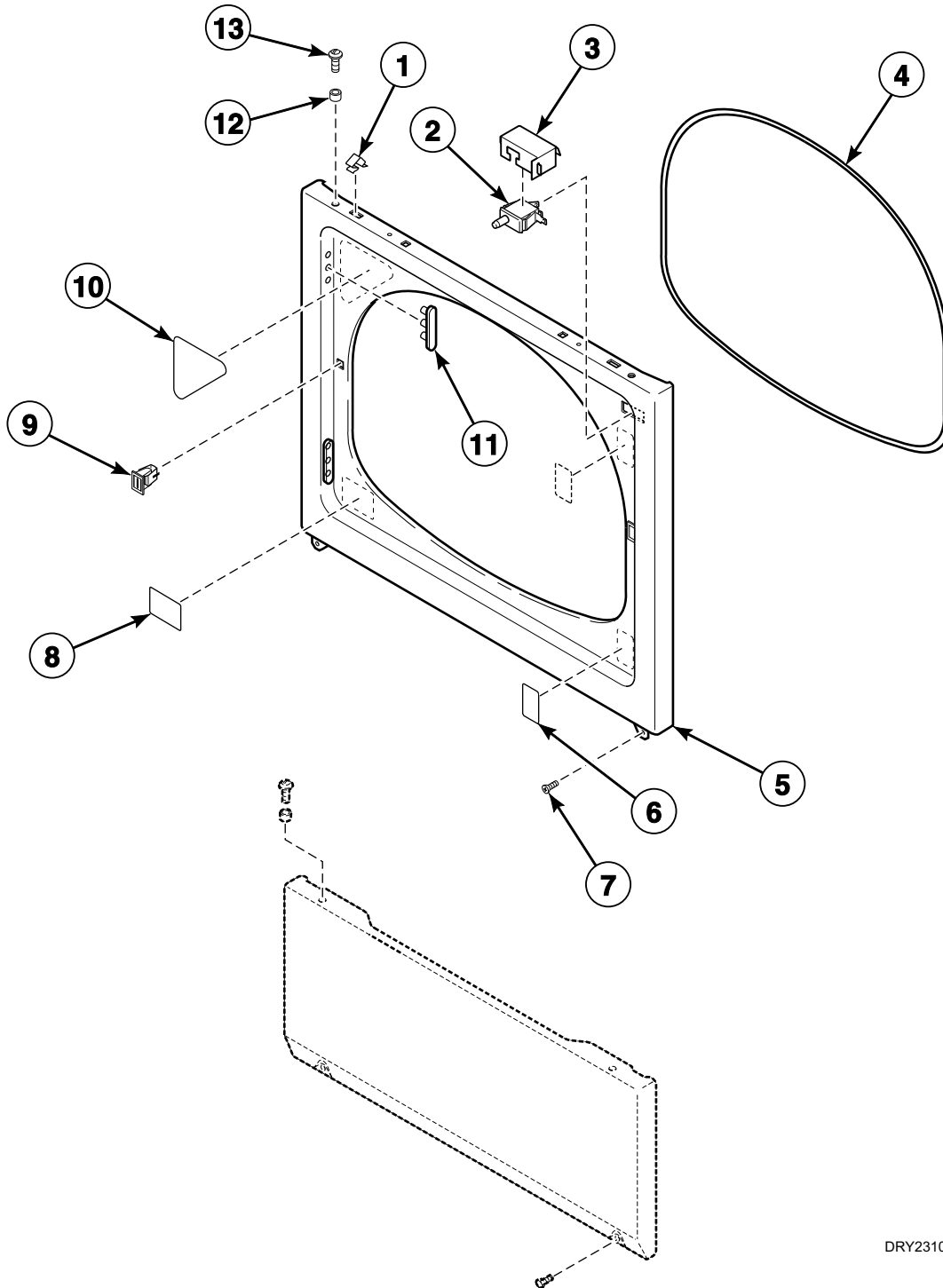
## Loading Door (Drawing 2 of 2)

All Models Except ADE32FSS431AN01, ADE32FSS431NN22, ADE32FSS541RN01, ADE41FSS171TN03, ADG32FSS301AN01, ADG41FSS111TN03, ZDE41FSS171CN01 and ZDG41FSS111CN01



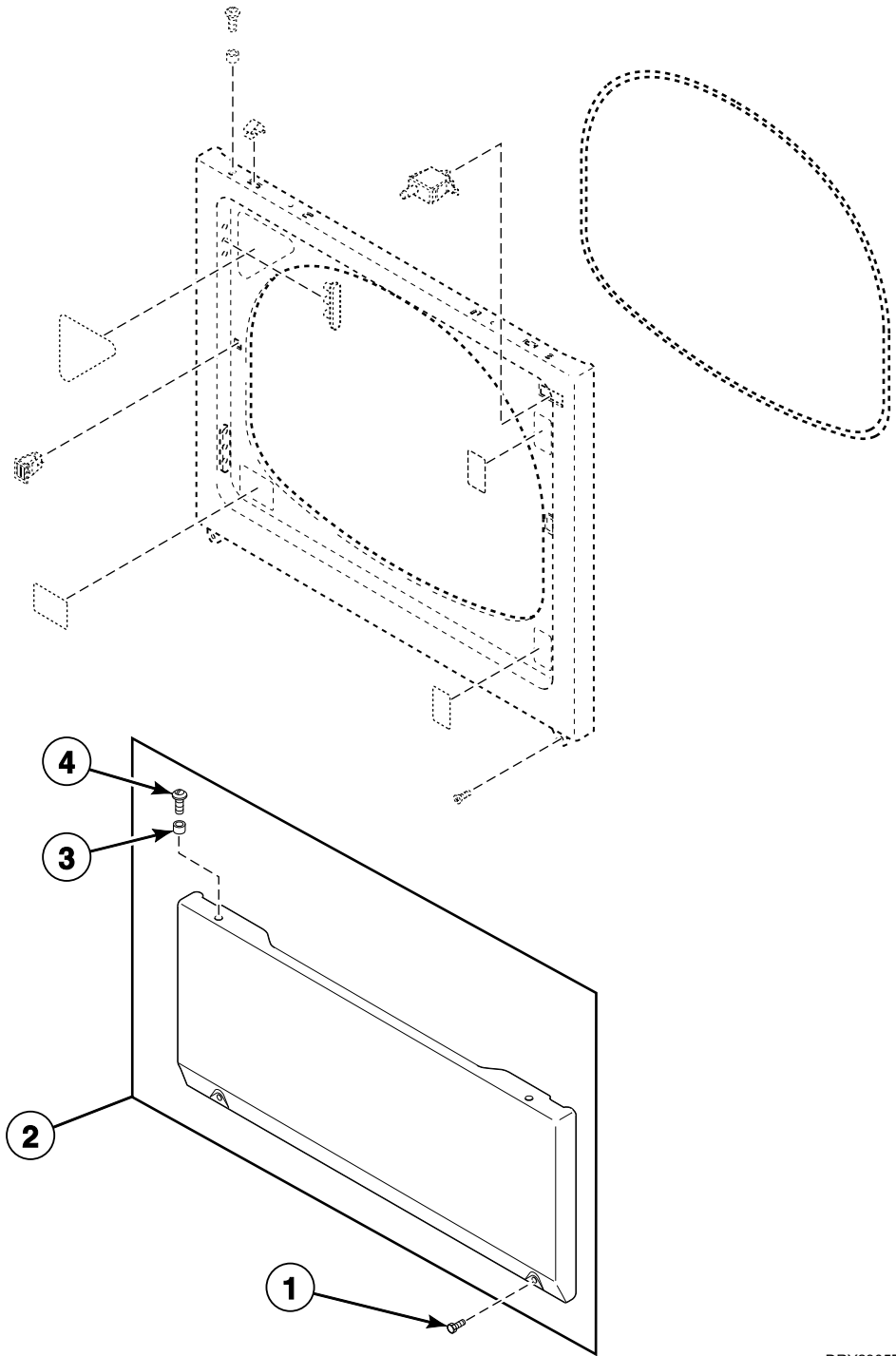
DRY1874P\_506054

# Front Panel and Seal



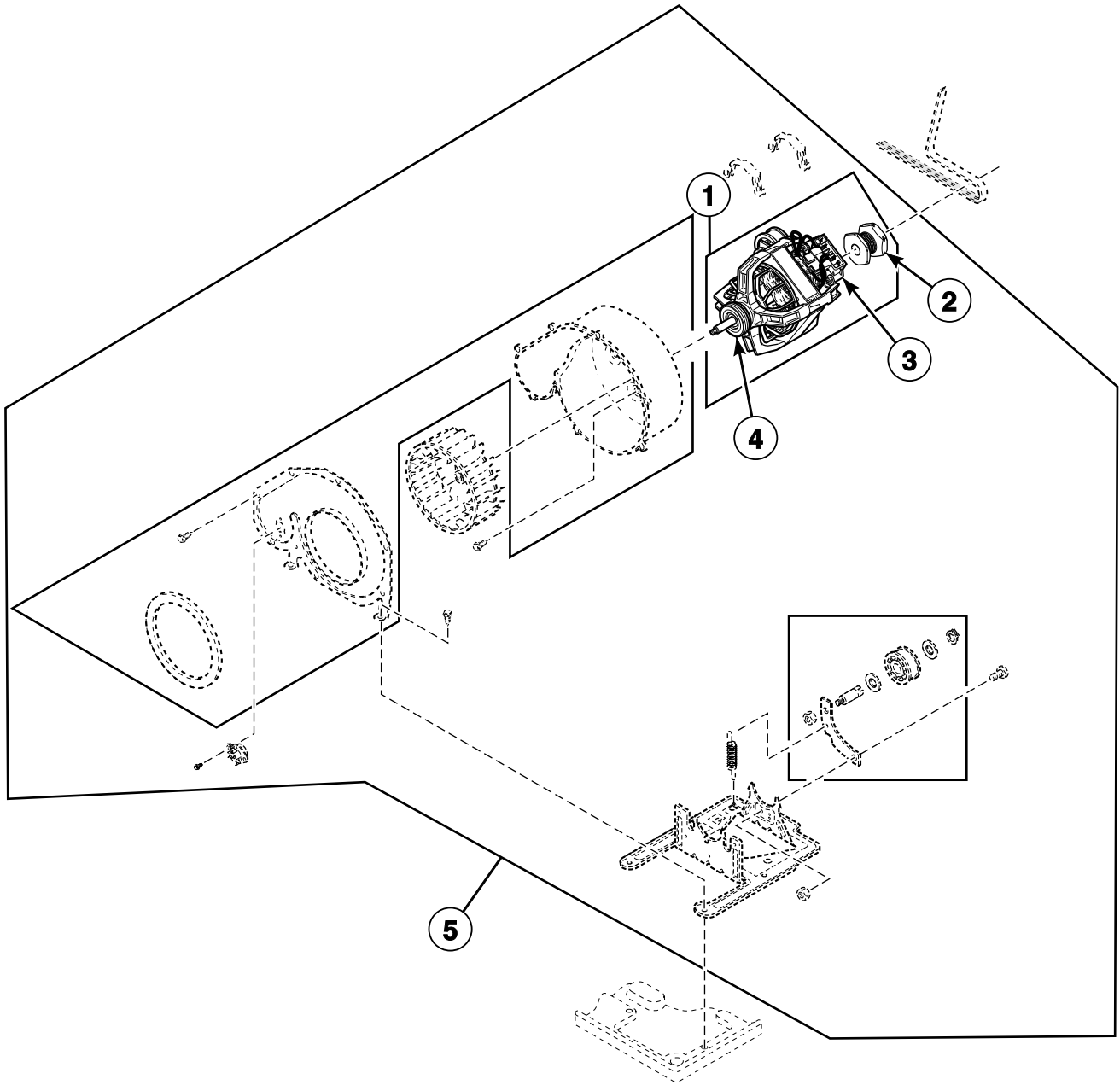
DRY2310P\_506054

# Access Panel



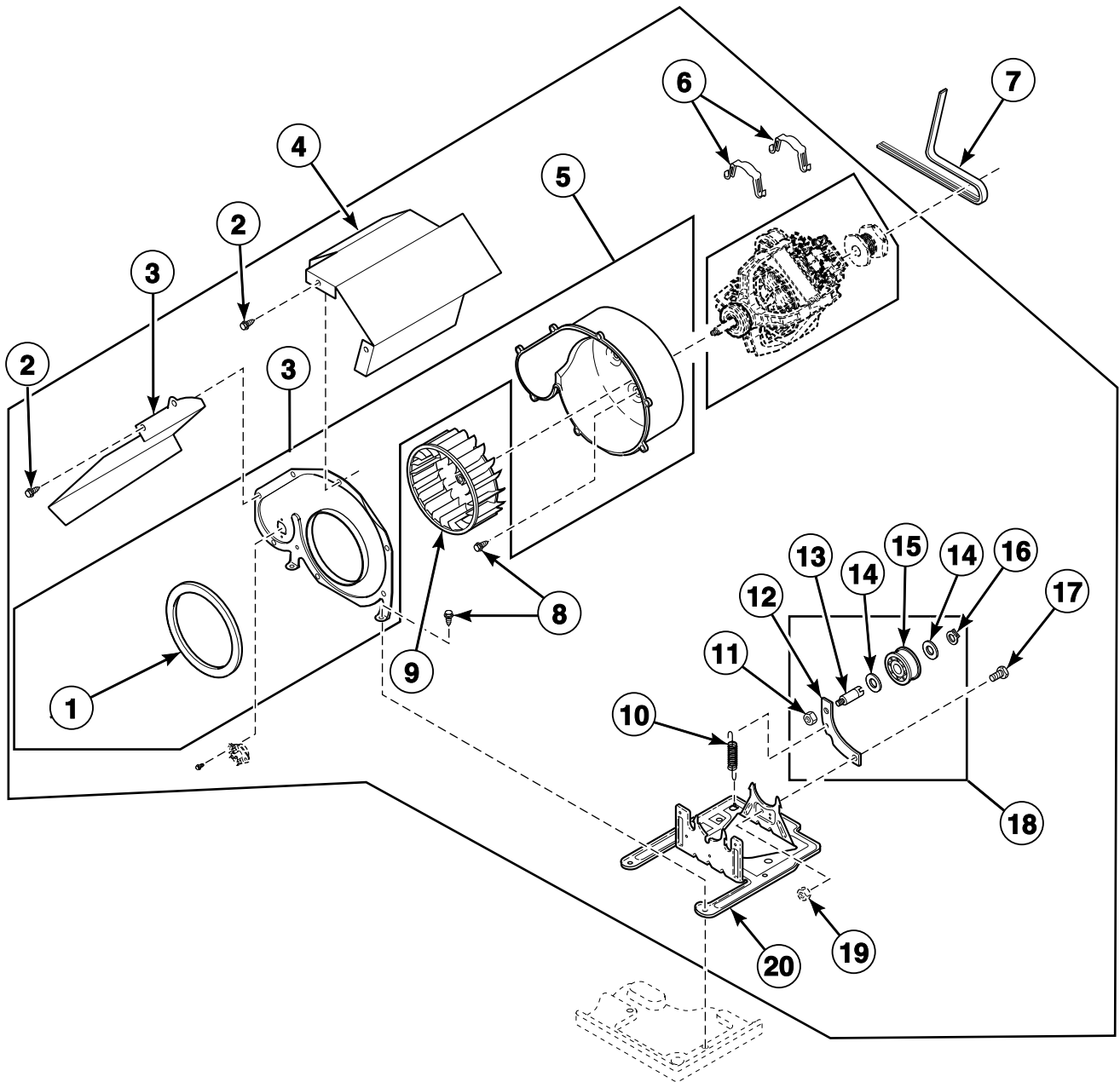
DRY2305PA\_506054

# Motor, Exhaust Fan and Belt (Drawing 1 of 2)



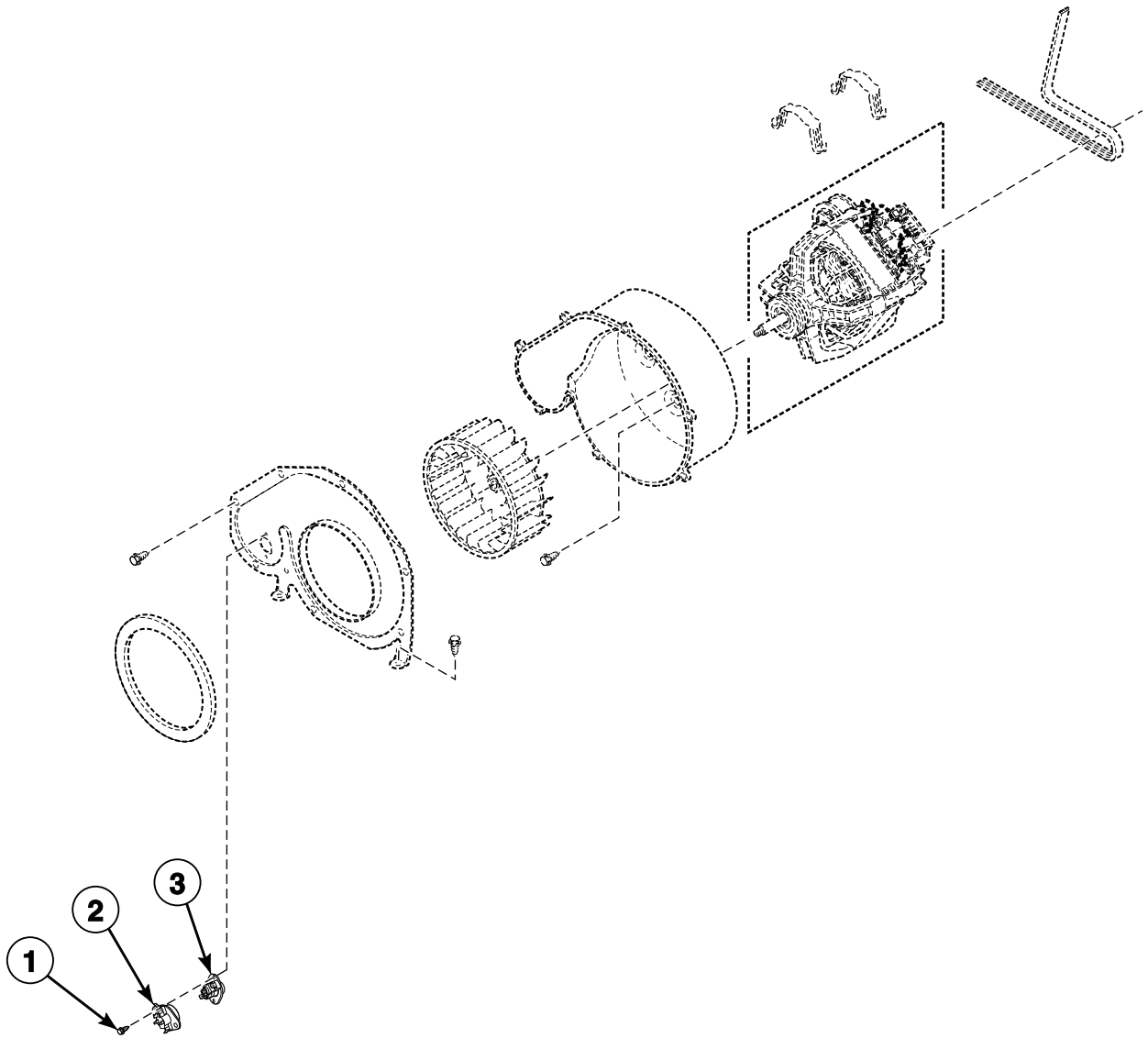
DRY2105P\_506054

# Motor, Exhaust Fan and Belt (Drawing 2 of 2)



DRY2312P\_506054

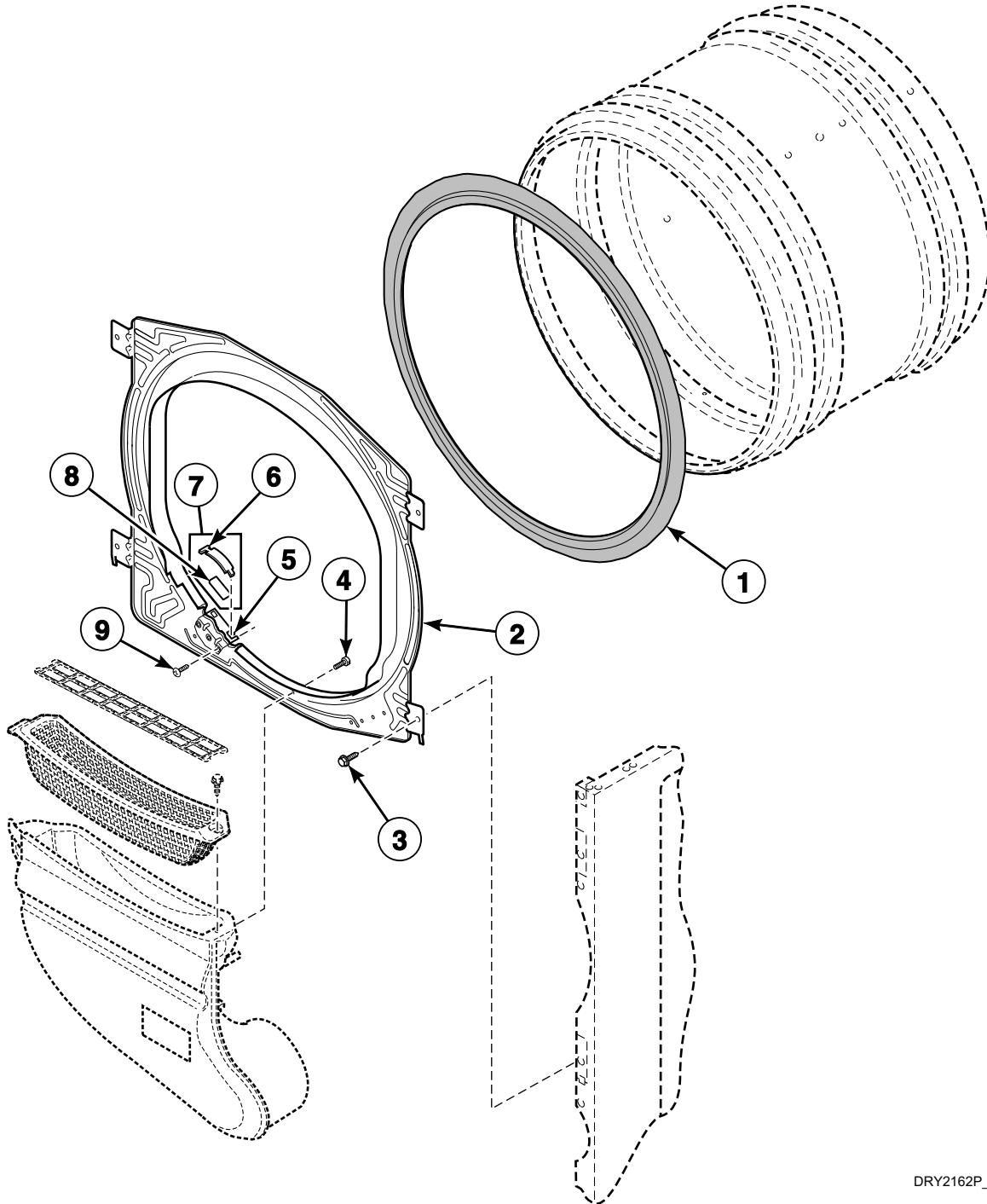
# Thermostat



DRY1850P\_506054

# Front Bulkhead and Seal - Without Light

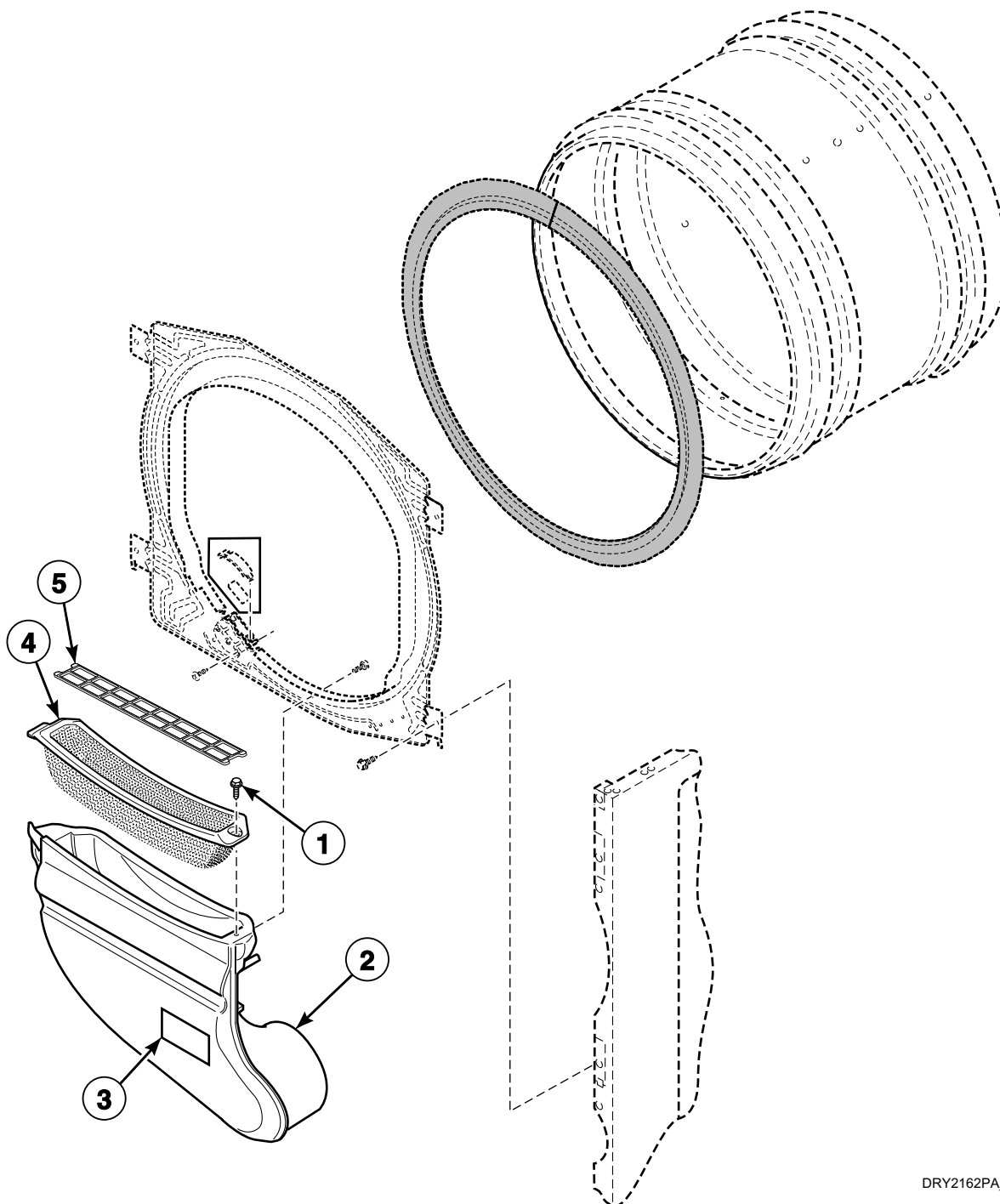
All Models Except ADE32FSS431AN01, ADE32FSS431NN22, ADE32FSS541RN01, ADE41FSS171TN03, ADG32FSS301AN01, ADG41FSS111TN03, AEZ28A\*F1702, AEZ68A\*F1702, AGZ28A\*F1102, AGZ68A\*F1102, CDE3LRGS171CW01, CDE4BFGS171CW01, CDG3LRGS111CW01, CDG4BFGS111CW01, CEZ68A\*F1702, CGZ68A\*F1102, LES28A\*G4018, LET57A\*F1700, LET67A\*F1700, LET68A\*F1700, LEY47A\*F1709, LEZ57A\*F1702, LEZ67A\*F1702, LGS38A\*M3013, LGS38A\*M3020, LGS40A\*M3020, LGT57A\*F1100, LGT68A\*F1100, LGY47A\*F1109, LGZ57A\*F1102, LGZ67A\*F1102, ZDE3LRGS171CW01, ZDE41FSS171CN01, ZDE4BFGS171CW01, ZDE4BRGS171CW01, ZDG3LRGS111CW01, ZDG41FSS111CN01, ZDG4BFGS111CW01 and ZDG4BRGS111CW01



DRY2162P\_506054

## Air Duct - Without Front Bulkhead Light

All Models Except ADE32FSS431AN01, ADE32FSS431NN22, ADE32FSS541RN01, ADE41FSS171TN03, ADG32FSS301AN01, ADG41FSS111TN03, AEZ28A\*F1702, AEZ68A\*F1702, AGZ28A\*F1102, AGZ68A\*F1102, CDE3LRGS171CW01, CDE4BFGS171CW01, CDG3LRGS111CW01, CDG4BFGS111CW01, CEZ68A\*F1702, CGZ68A\*F1102, LES28A\*G4018, LET57A\*F1700, LET67A\*F1700, LET68A\*F1700, LEY47A\*F1709, LEZ57A\*F1702, LEZ67A\*F1702, LGS38A\*M3013, LGS38A\*M3020, LGS40A\*M3020, LGT57A\*F1100, LGT68A\*F1100, LGY47A\*F1109, LGZ57A\*F1102, LGZ67A\*F1102, ZDE3LRGS171CW01, ZDE41FSS171CN01, ZDE4BFGS171CW01, ZDE4BRGS171CW01, ZDG3LRGS111CW01, ZDG41FSS111CN01, ZDG4BFGS111CW01 and ZDG4BRGS111CW01

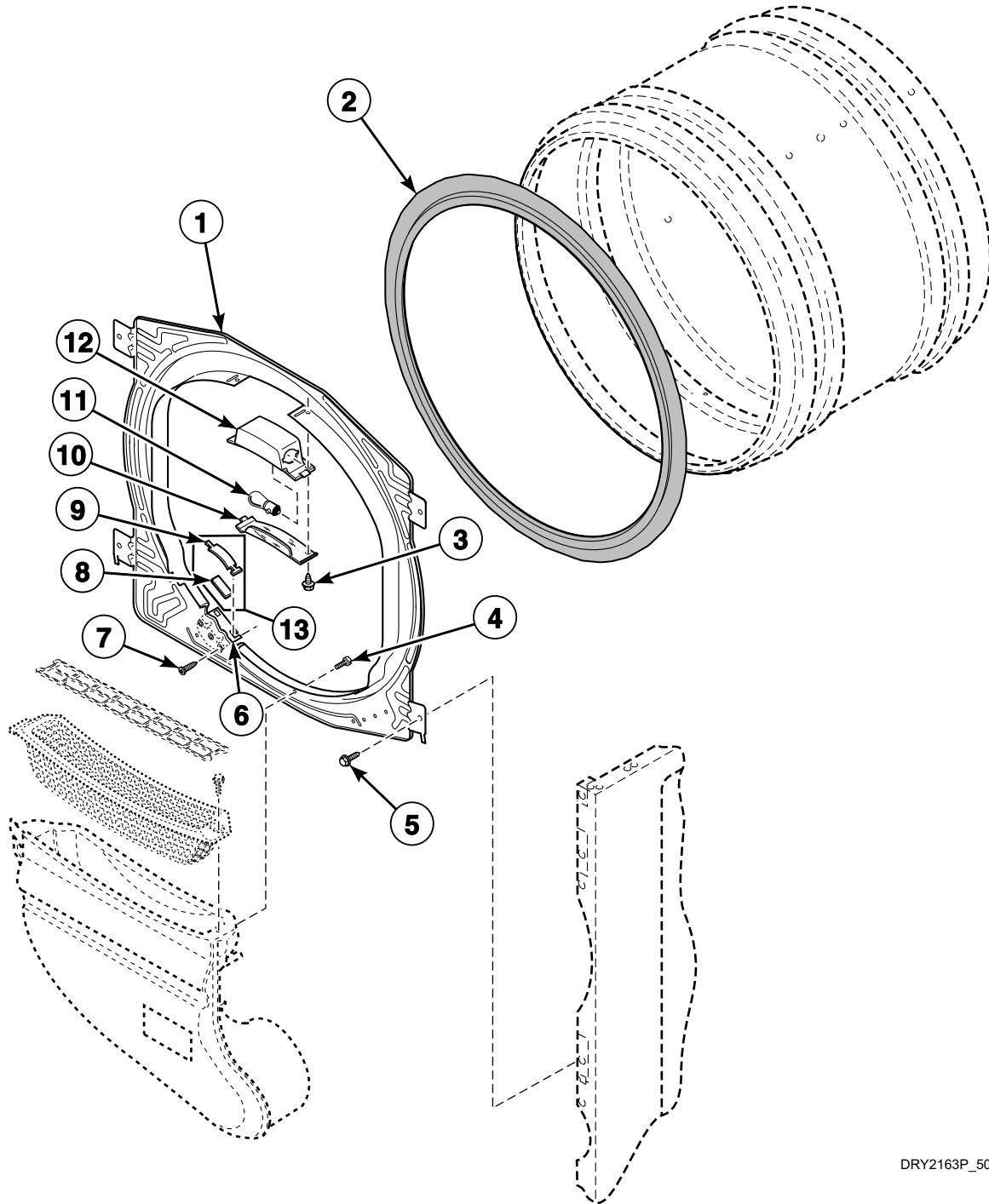


DRY2162PA\_506054



# Front Bulkhead and Seal - With Light

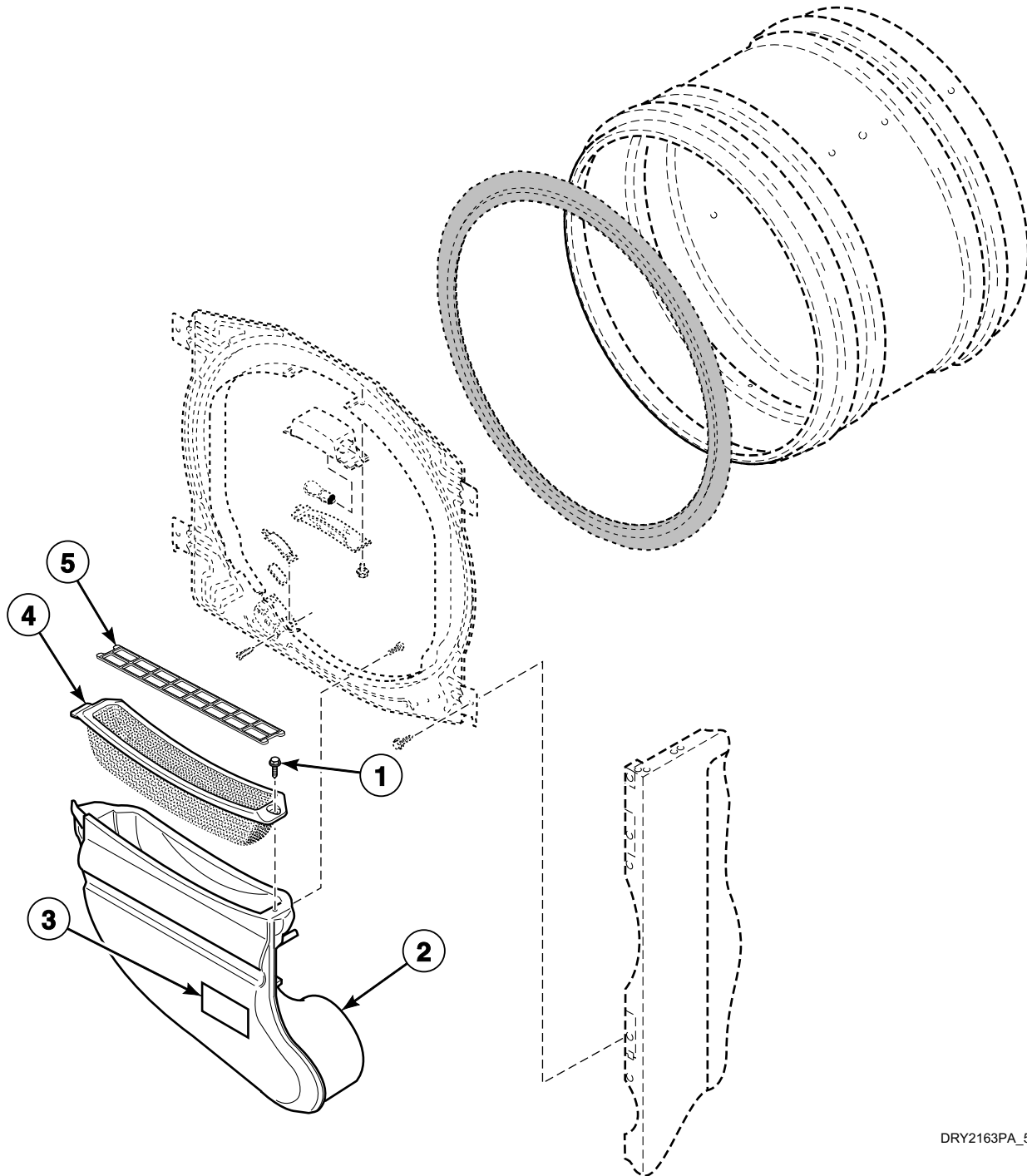
Models ADE32FSS431AN01, ADE32FSS431NN22, ADE32FSS541RN01, ADE41FSS171TN03, ADG32FSS301AN01, ADG41FSS111TN03, AEZ28A\*F1702, AEZ68A\*F1702, AGZ28A\*F1102, AGZ68A\*F1102, CDE3LRGS171CW01, CDE4BFGS171CW01, CDG3LRGS111CW01, CDG4BFGS111CW01, CEZ68A\*F1702, CGZ68A\*F1102, LES28A\*G4018, LET57A\*F1700, LET67A\*F1700, LET68A\*F1700, LEY47A\*F1709, LEZ57A\*F1702, LEZ67A\*F1702, LGS38A\*M3013, LGS38A\*M3020, LGS40A\*M3020, LGT57A\*F1100, LGT68A\*F1100, LGY47A\*F1109, LGZ57A\*F1102, LGZ67A\*F1102, ZDE3LRGS171CW01, ZDE41FSS171CN01, ZDE4BFGS171CW01, ZDE4BRGS171CW01, ZDG3LRGS111CW01, ZDG41FSS111CN01, ZDG4BFGS111CW01 and ZDG4BRGS111CW01



DRY2163P\_506054

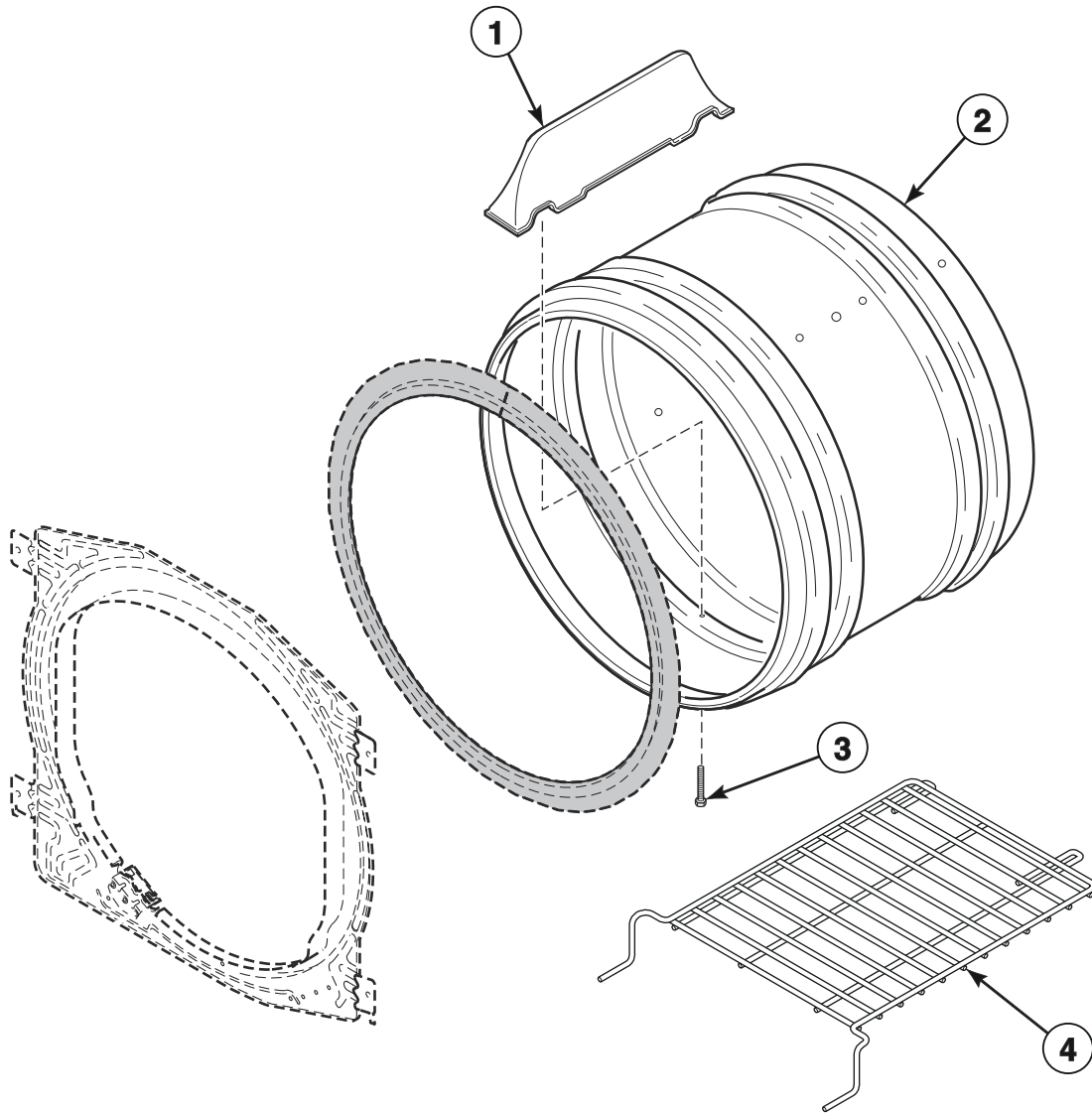
# Air Duct

Models ADE32FSS431AN01, ADE32FSS431NN22, ADE32FSS541RN01, ADE41FSS171TN03, ADG32FSS301AN01, ADG41FSS111TN03, AEZ28A\*F1702, AEZ68A\*F1702, AGZ28A\*F1102, AGZ68A\*F1102, CDE3LRGS171CW01, CDE4BFGS171CW01, CDG3LRGS111CW01, CDG4BFGS111CW01, CEZ68A\*F1702, CGZ68A\*F1102, LES28A\*G4018, LET57A\*F1700, LET67A\*F1700, LET68A\*F1700, LEY47A\*F1709, LEZ57A\*F1702, LEZ67A\*F1702, LGS38A\*M3013, LGS38A\*M3020, LGS40A\*M3020, LGT57A\*F1100, LGT68A\*F1100, LGY47A\*F1109, LGZ57A\*F1102, LGZ67A\*F1102, ZDE3LRGS171CW01, ZDE41FSS171CN01, ZDE4BFGS171CW01, ZDE4BRGS171CW01, ZDG3LRGS111CW01, ZDG41FSS111CN01, ZDG4BFGS111CW01 and ZDG4BRGS111CW01



DRY2163PA\_506054

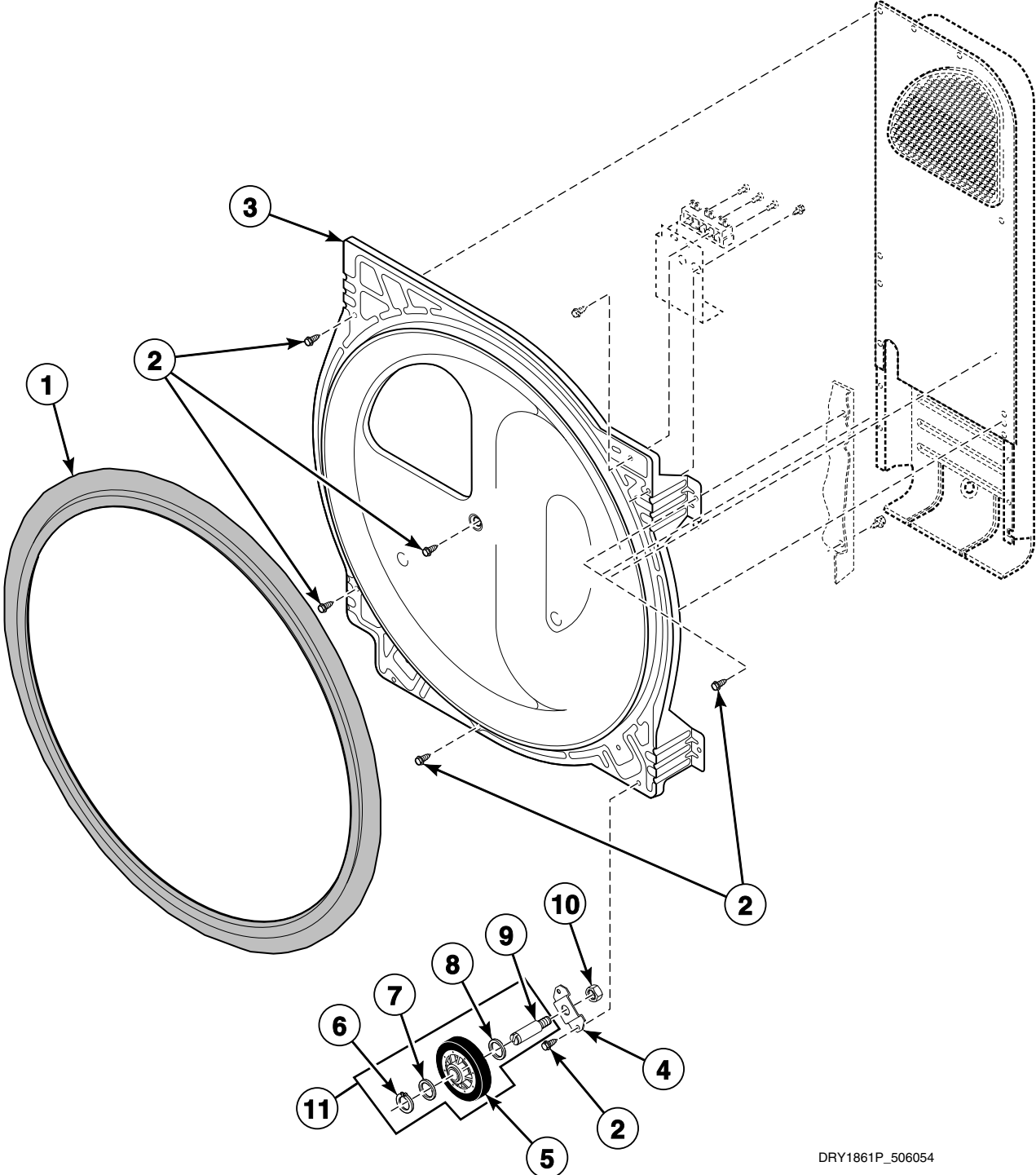
# Cylinder, Baffles and Drying Rack



DRY2161P\_506054

# Rear Bulkhead, Felt Seal and Cylinder Roller - 1 Phase Models

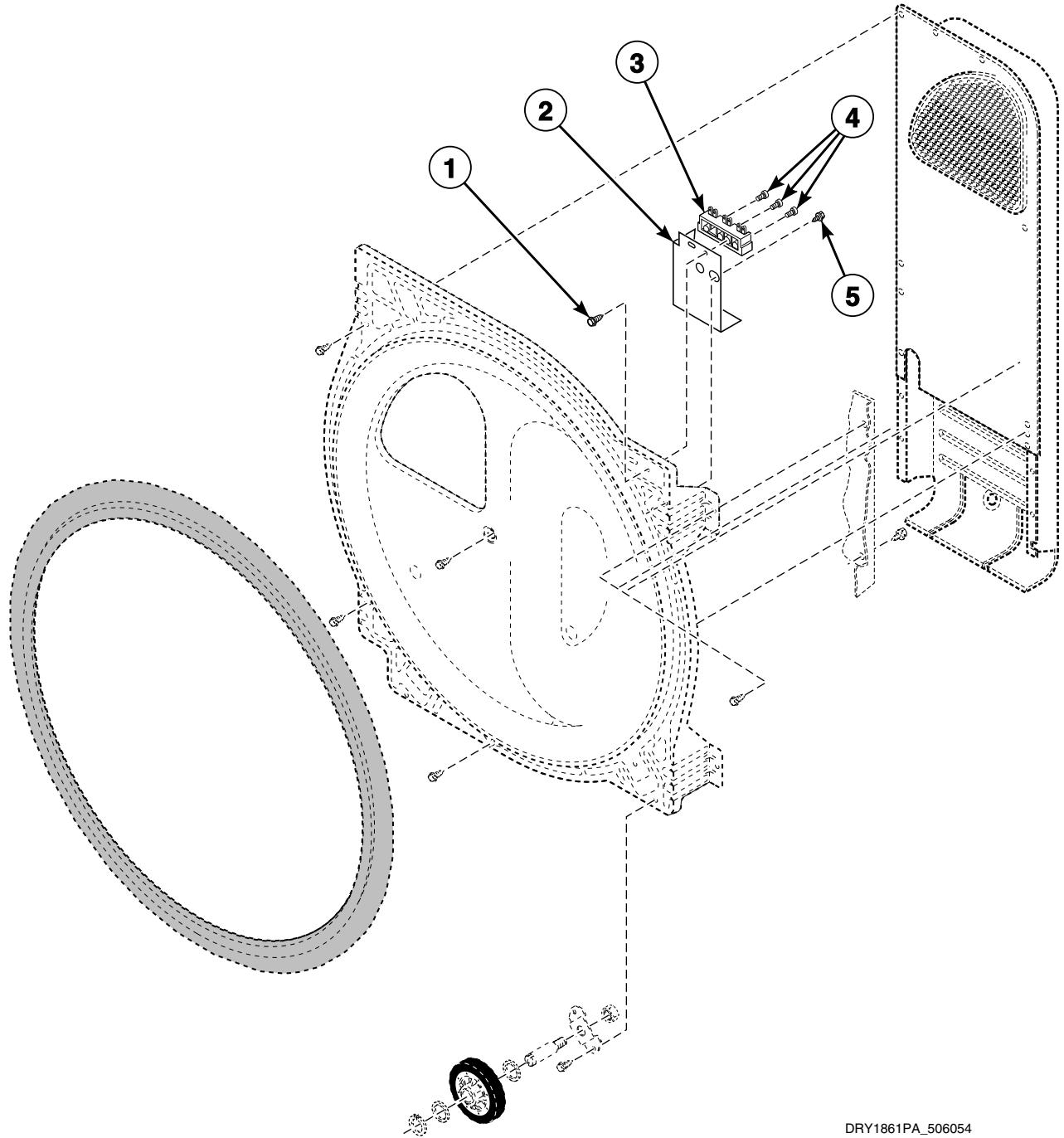
All Models Except FDE3TRGS401NW22, FEN16A\*G4018, FEN17A\*G4018, FES16A\*G4018, LEN27A\*G4008, LEN27A\*G4018, LEN27A\*G99M3, LEN37A\*G4018, LES27A\*G4000, LES27A\*G4018, LES28A\*G4018, LES37A\*G4018, LEZ27A\*G4018 and LEZ37A\*G4018



DRY1861P\_506054

# Terminal Block - 1 Phase Models

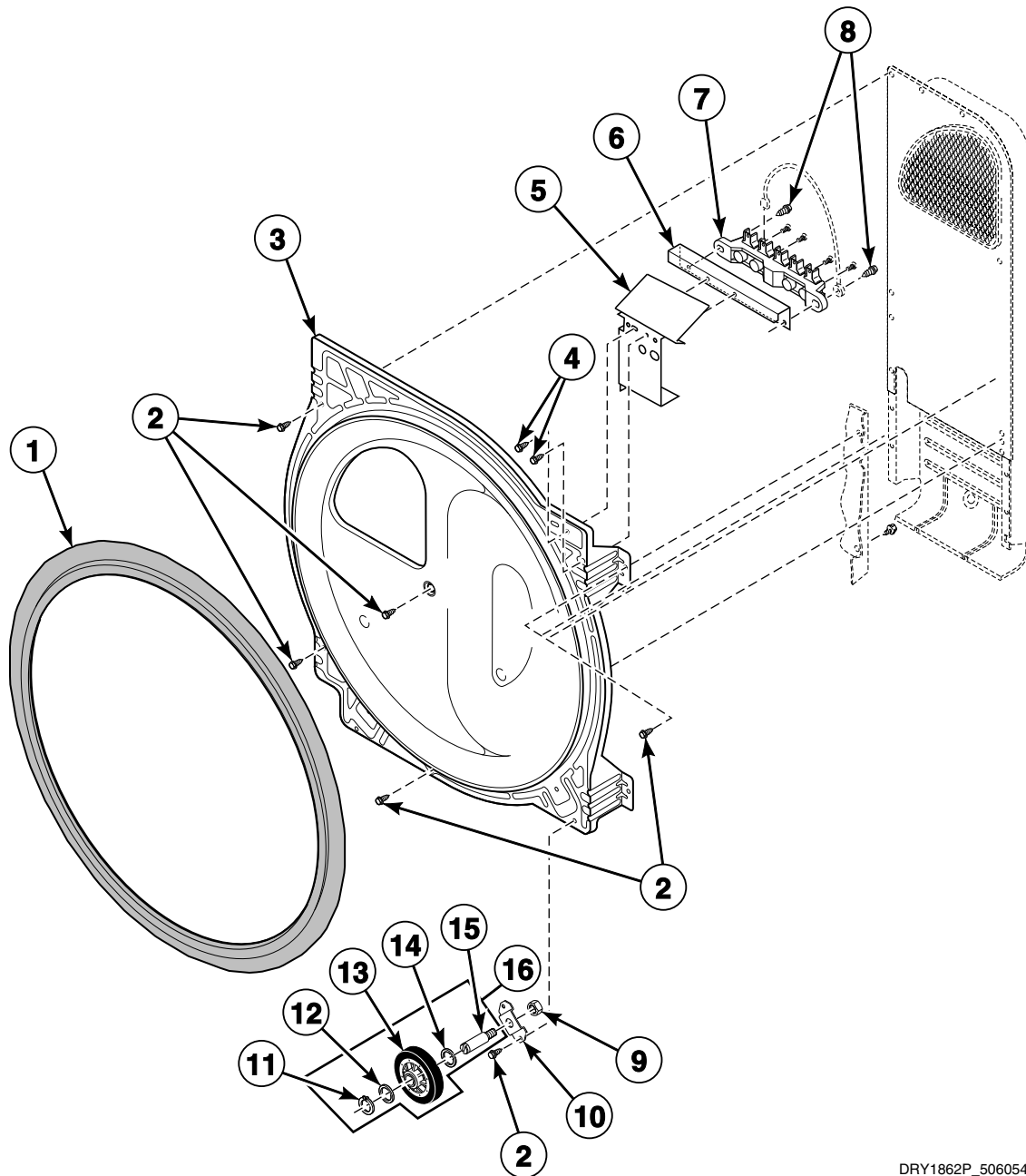
All Models Except FDE3TRGS401NW22, FEN16A\*G4018, FEN17A\*G4018, FES16A\*G4018, LEN27A\*G4008, LEN27A\*G4018, LEN27A\*G99M3, LEN37A\*G4018, LES27A\*G4000, LES27A\*G4018, LES28A\*G4018, LES37A\*G4018, LEZ27A\*G4018 and LEZ37A\*G4018



DRY1861PA\_506054

# Rear Bulkhead, Felt Seal, Cylinder Roller and Terminal Block - 3 Phase Models

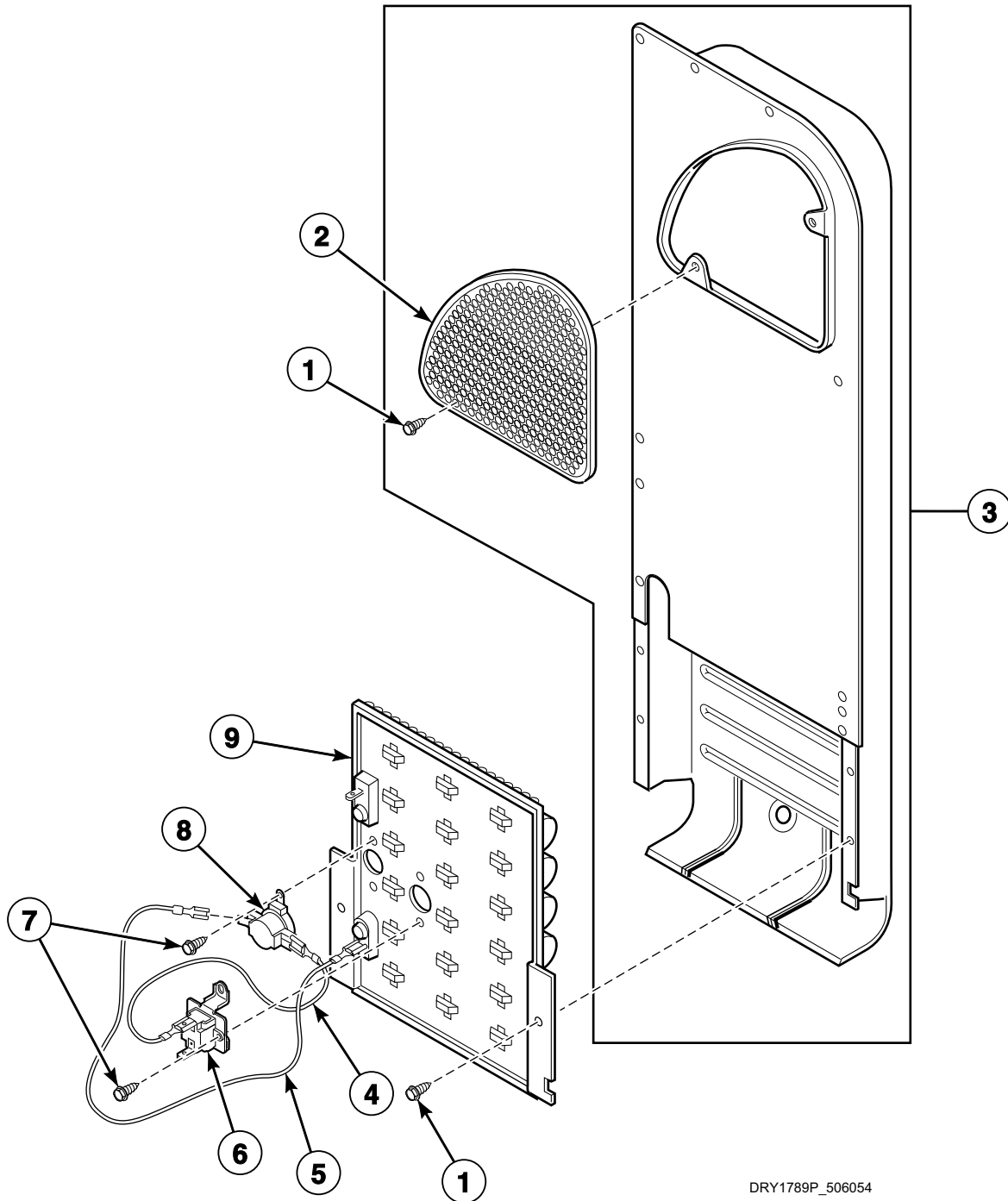
Models FDE3TRGS401NW22, FEN16A\*G4018, FEN17A\*G4018, FES16A\*G4018, LEN27A\*G4008,  
LEN27A\*G4018, LEN27A\*G99M3, LEN37A\*G4018, LES27A\*G4000, LES27A\*G4018, LES28A\*G4018,  
LES37A\*G4018, LEZ27A\*G4018 and LEZ37A\*G4018



DRY1862P\_506054

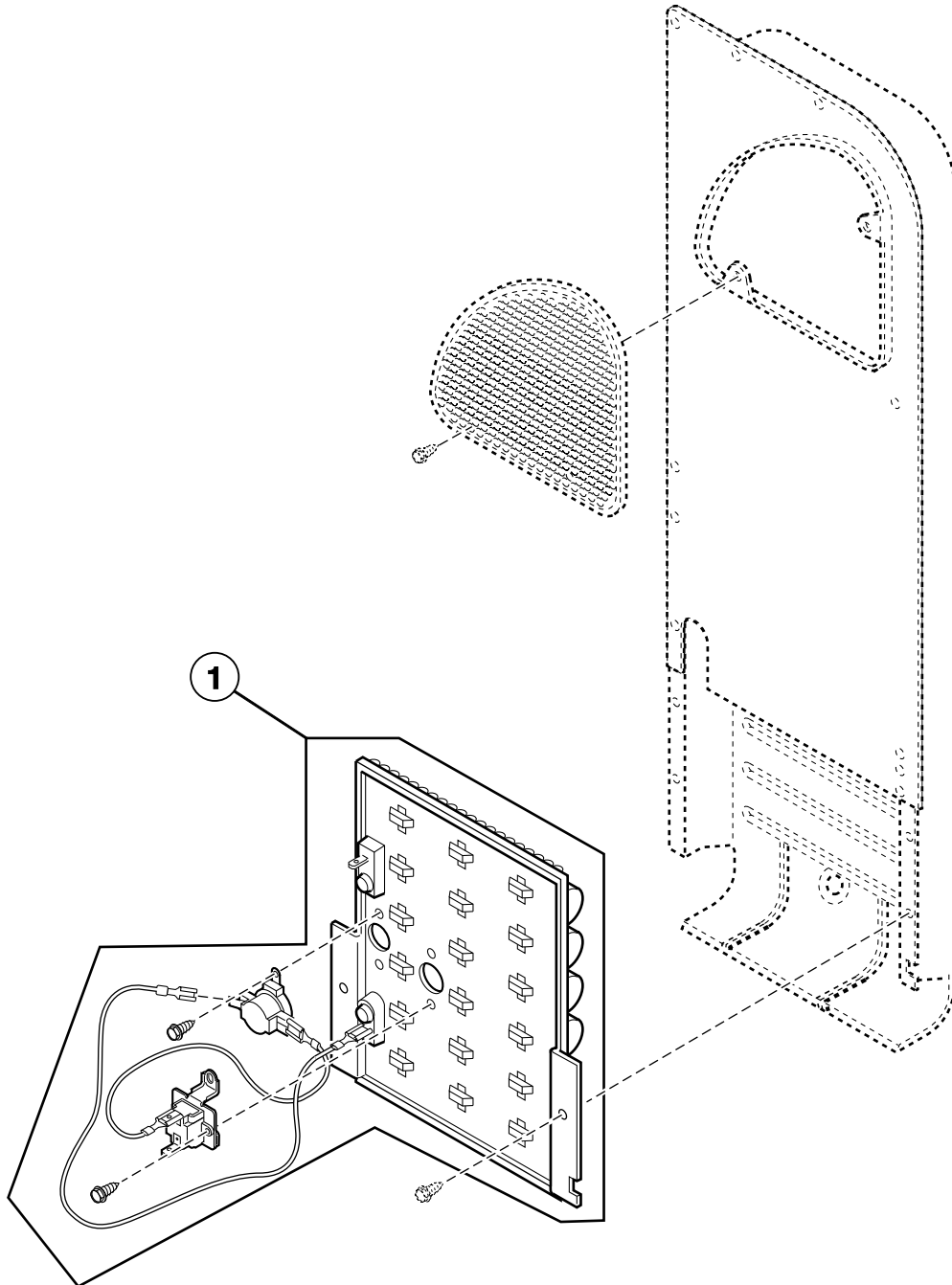
# Heater Duct and Element Assembly - 1 Phase Models

All Electric Models Except FDE3TRGS401NW22, FEN16A\*G4018, FEN17A\*G4018, FES16A\*G4018, LEN27A\*G4008, LEN27A\*G4018, LEN27A\*G99M3, LEN37A\*G4018, LES27A\*G4000, LES27A\*G4018, LES28A\*G4018, LES37A\*G4018, LEZ27A\*G4018 and LEZ37A\*G4018



# Heater Kit Assembly - 1 Phase Models

All Electric Models Except FDE3TRGS401NW22, FEN16A\*G4018, FEN17A\*G4018, FES16A\*G4018, LEN27A\*G4008, LEN27A\*G4018, LEN27A\*G99M3, LEN37A\*G4018, LES27A\*G4000, LES27A\*G4018, LES28A\*G4018, LES37A\*G4018, LEZ27A\*G4018 and LEZ37A\*G4018

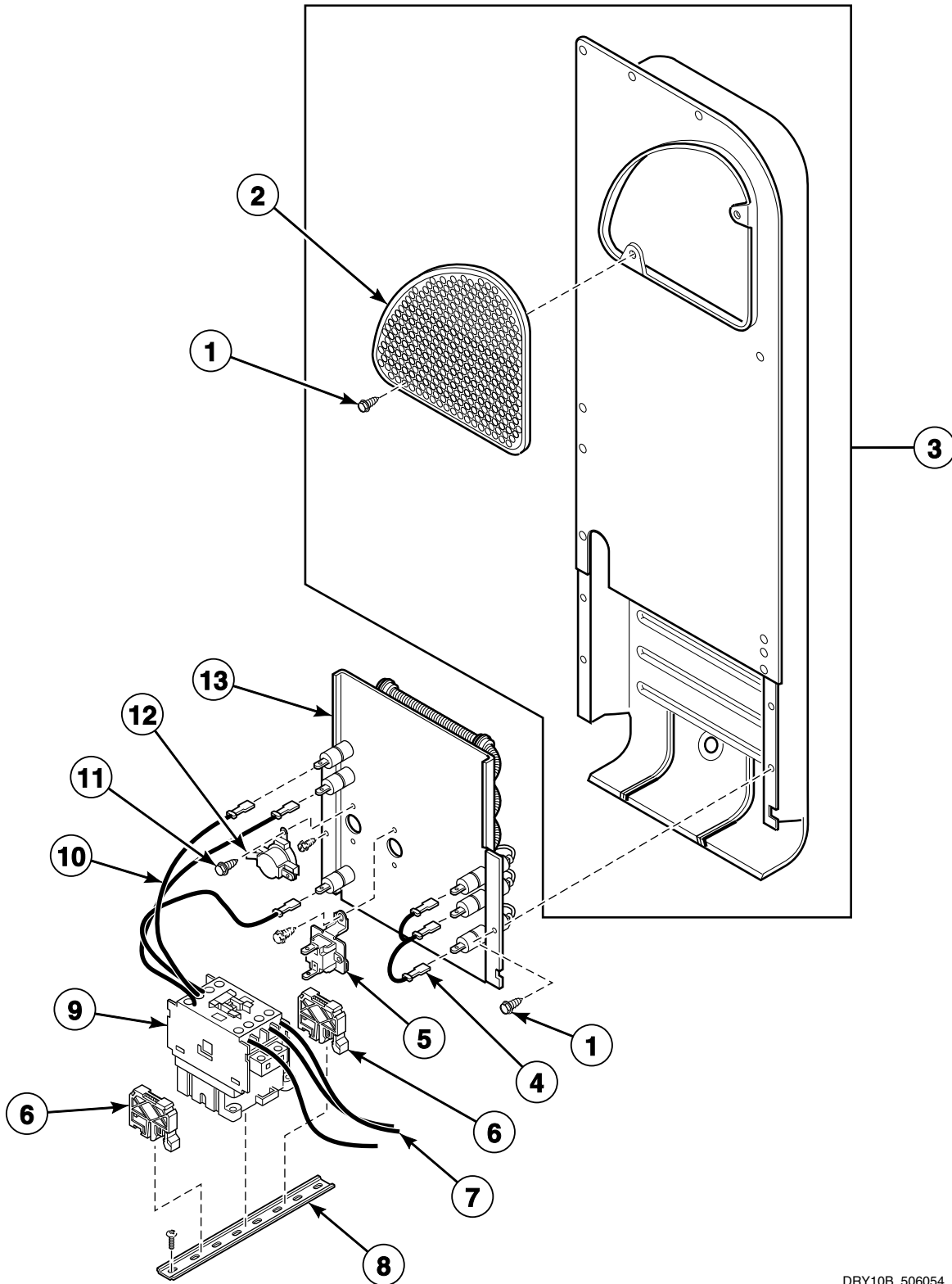


DRY1789PA\_506054



# Heater Duct and Element Assembly - 3 Phase Models

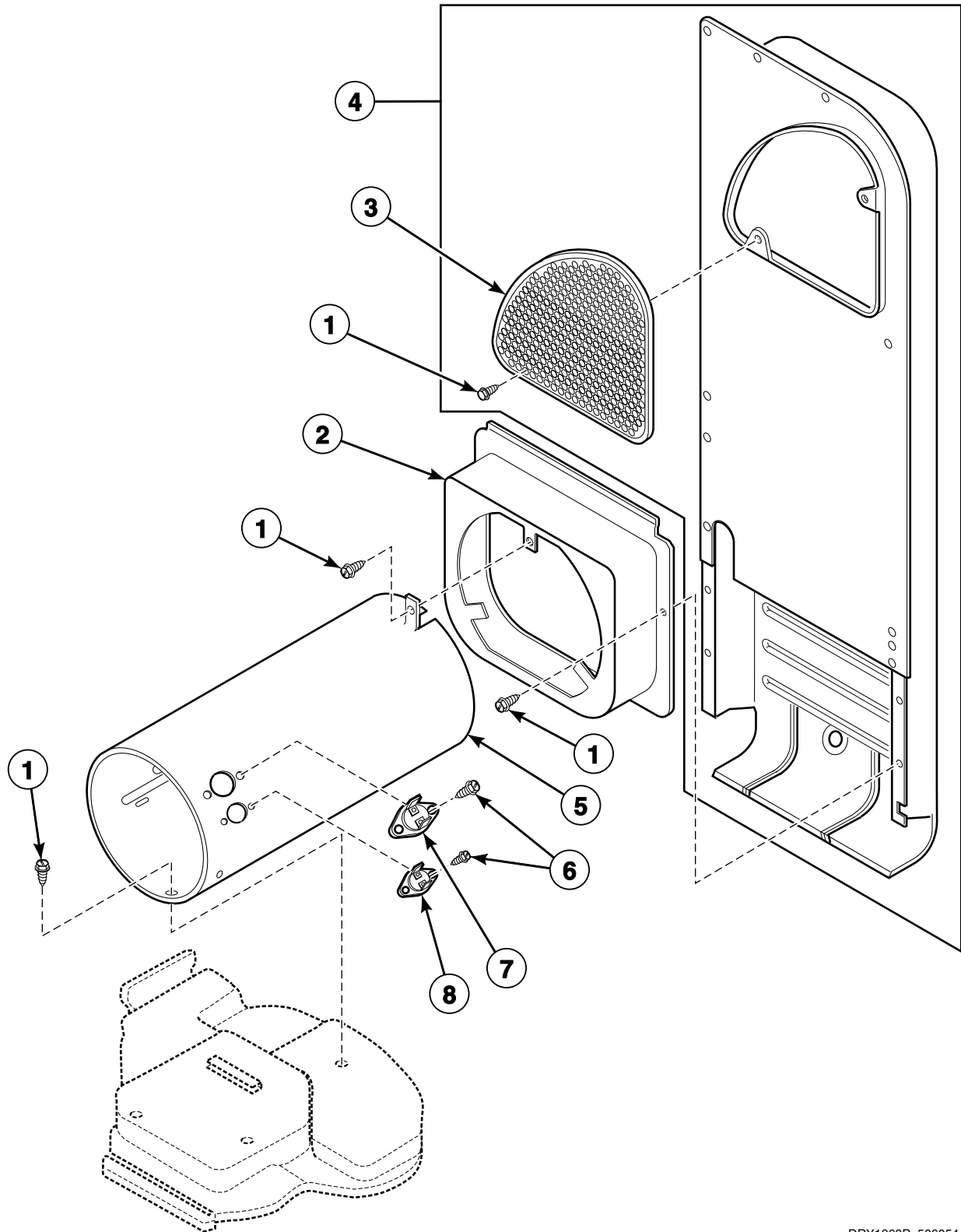
Models FDE3TRGS401NW22, FEN16A\*G4018, FEN17A\*G4018, FES16A\*G4018, LEN27A\*G4008, LEN27A\*G4018, LEN27A\*G99M3, LEN37A\*G4018, LES27A\*G4000, LES27A\*G4018, LES28A\*G4018, LES37A\*G4018, LEZ27A\*G4018 and LEZ37A\*G4018



DRY10B\_506054

# Heater Duct Assembly

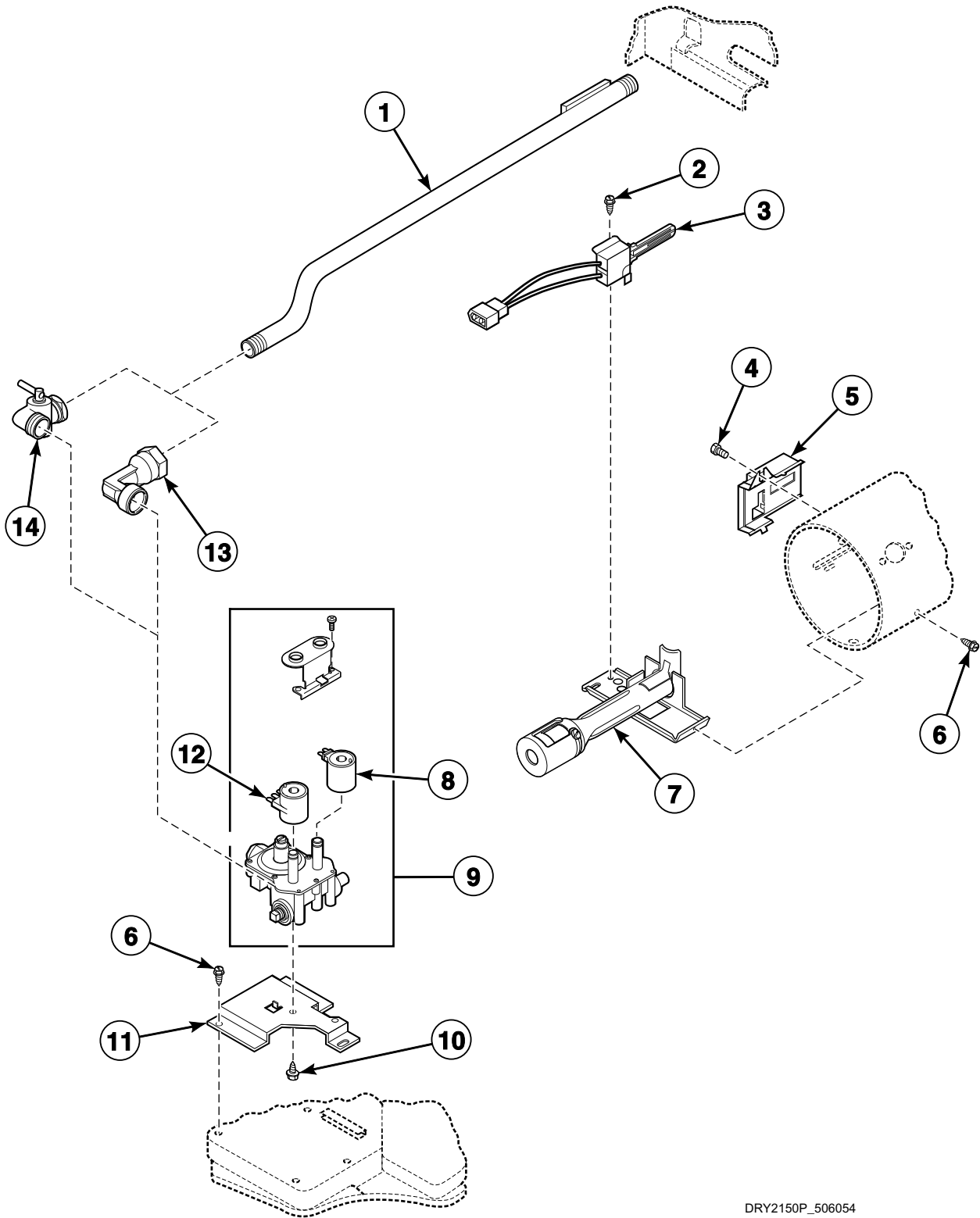
Gas Models



DRY1863P\_506054

# Gas Valve and Igniter

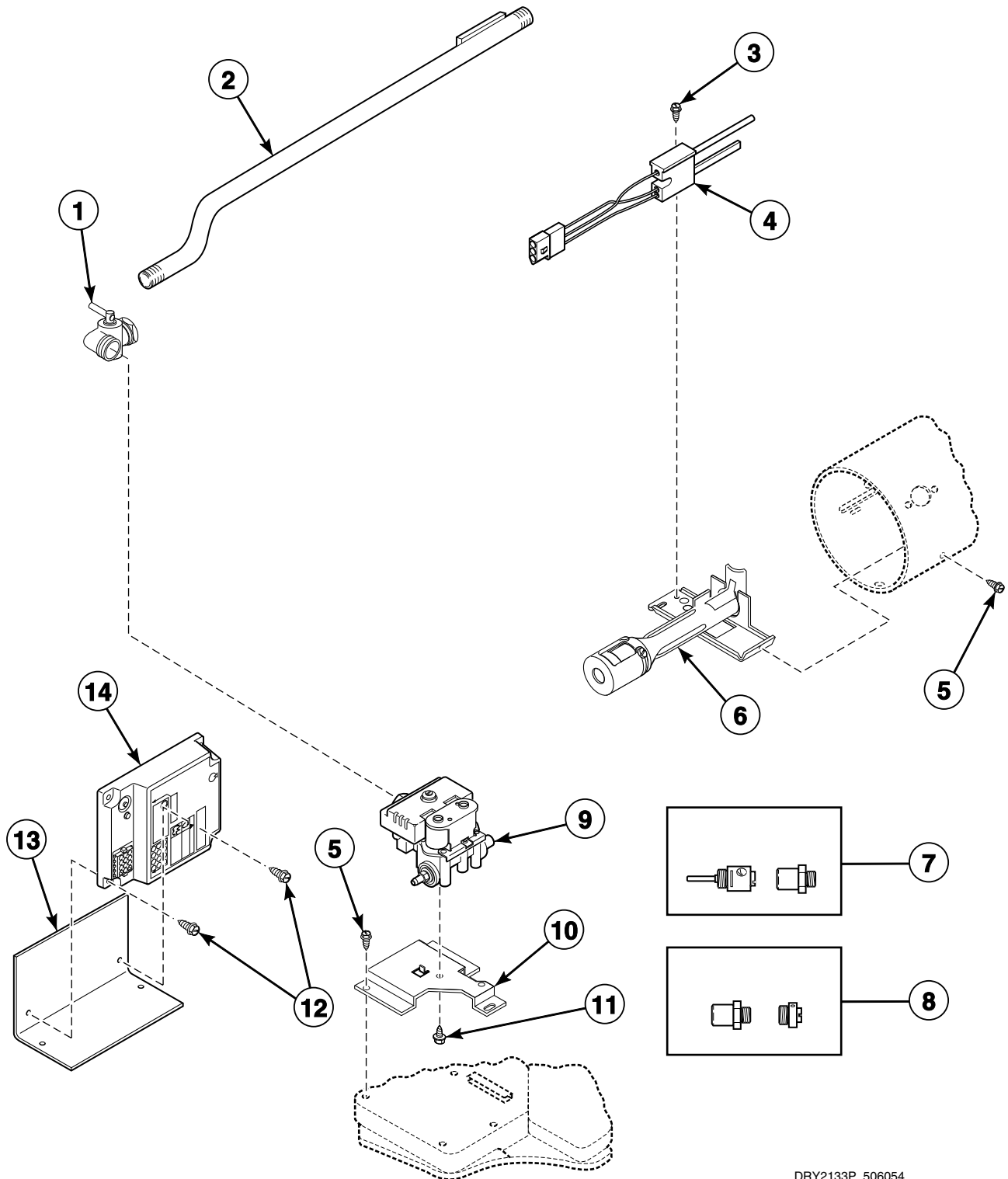
All Gas Models Except LGG37A\*F3058, LGK37A\*F3058, LGS37A\*F3058,  
LGS37A\*G3013, LGS37A\*G3080 and LGZ37A\*G3013



DRY2150P\_506054

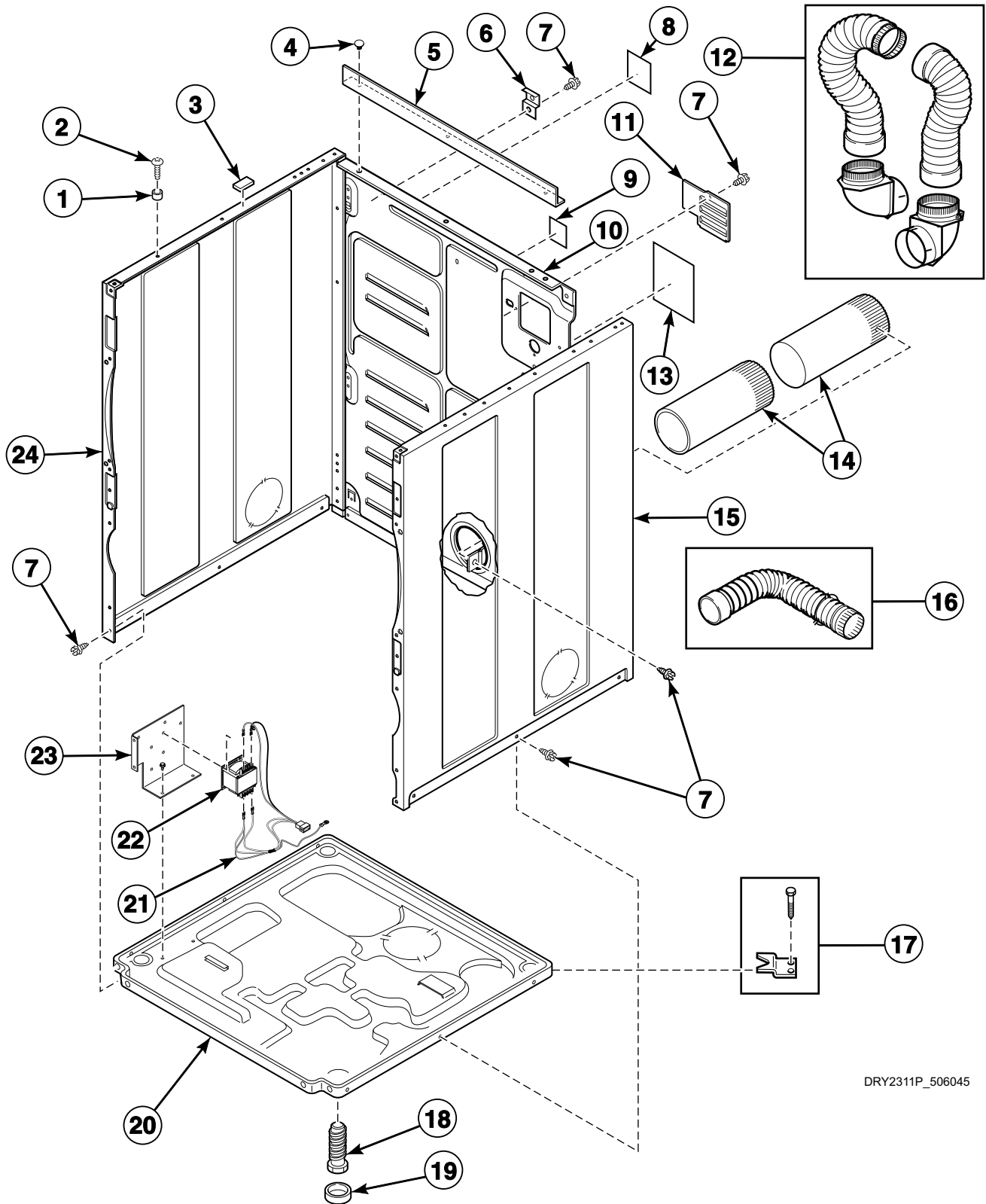
# Gas Valve, Igniter, Ignition Control and Gas Conversion Kits

Models LGG37A\*F3058, LGK37A\*F3058, LGS37A\*F3058, LGS37A\*G3013,  
LGS37A\*G3080 and LGZ37A\*G3013



DRY2133P\_506054

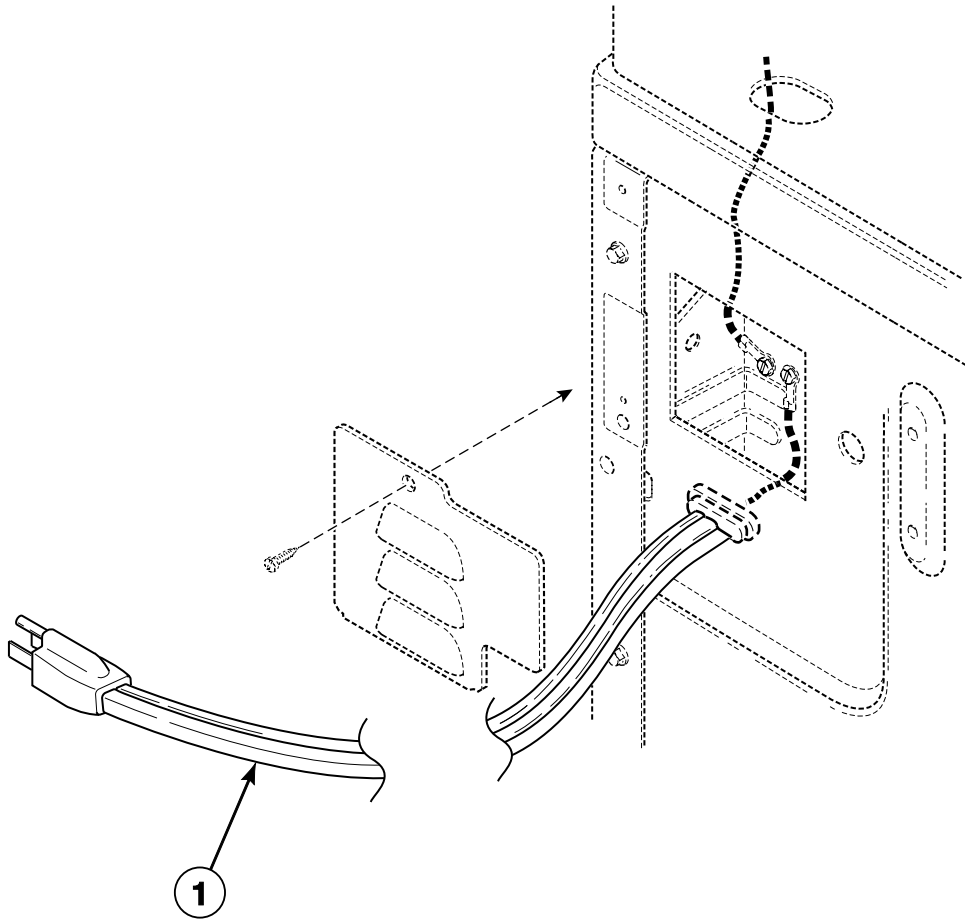
# Cabinet, Exhaust Duct and Base



DRY2311P\_506045

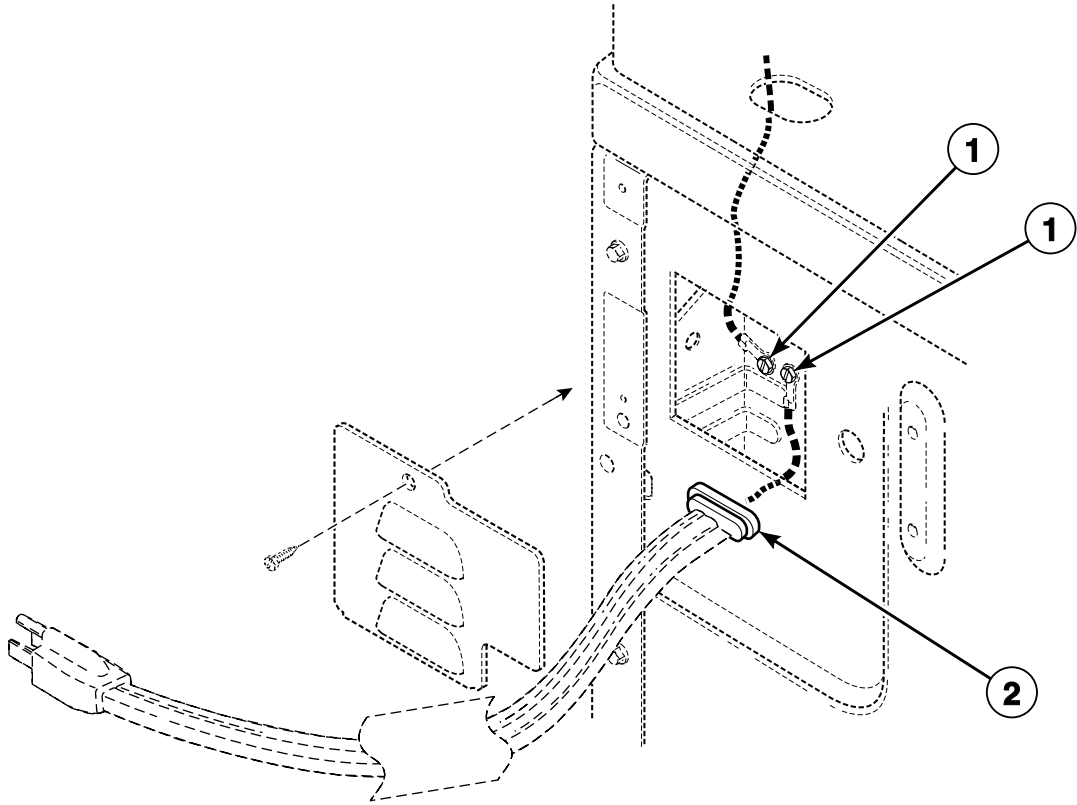
# Power Cord

All Models Except EDE3TRWS543PW01



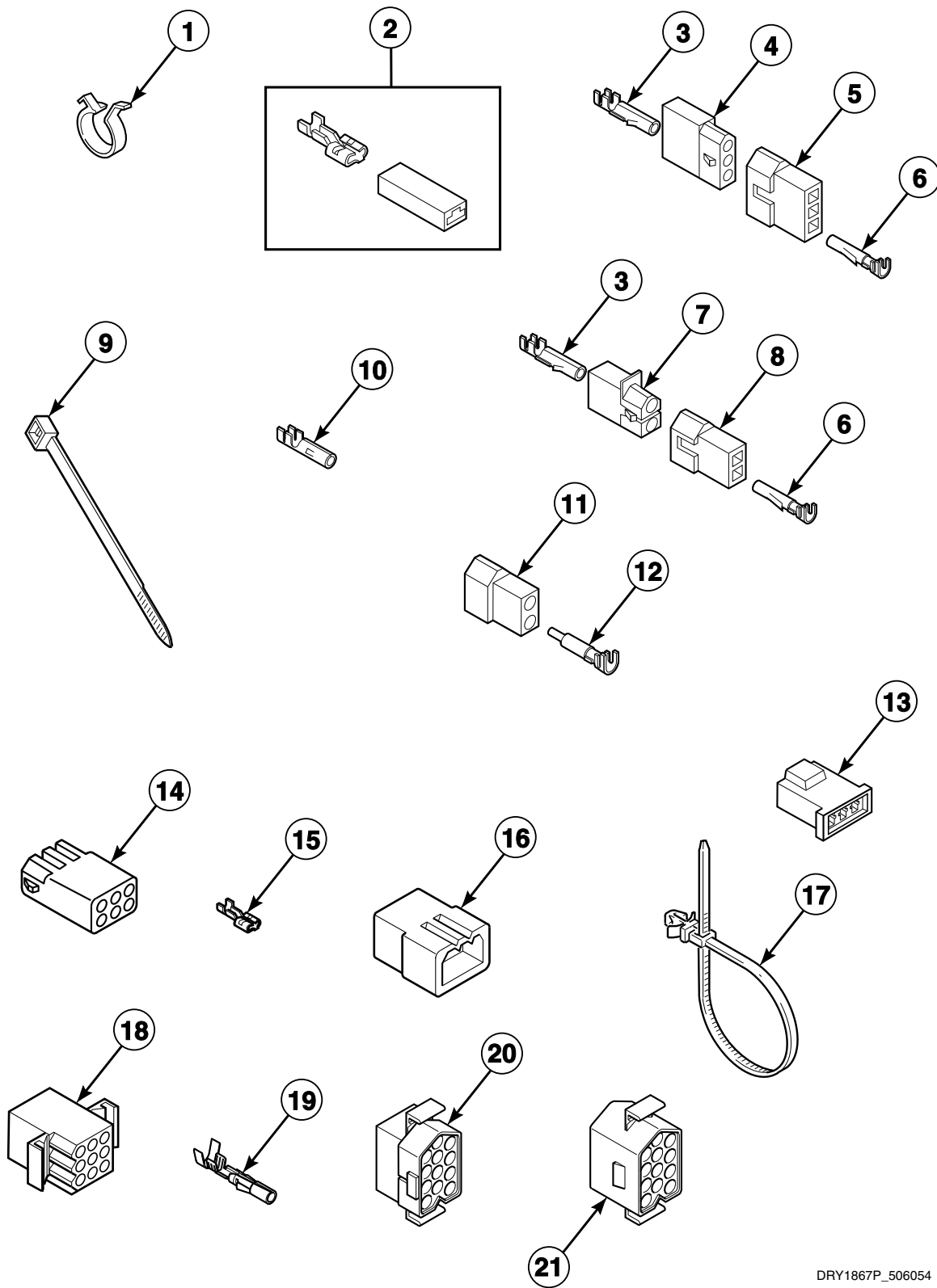
DRY1866PA\_506054

# Strain Relief



DRY1866PB\_506054

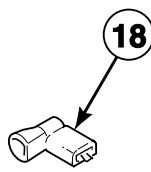
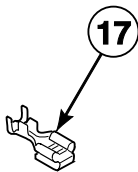
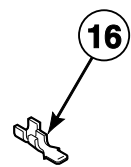
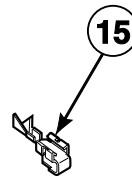
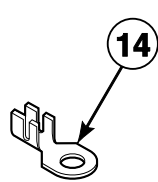
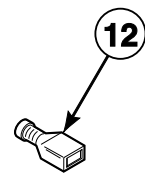
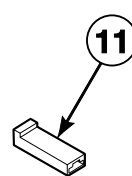
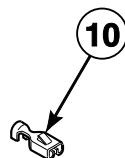
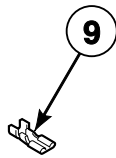
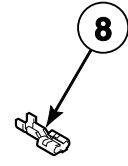
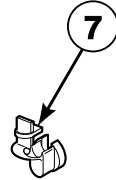
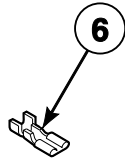
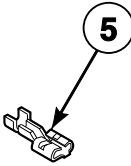
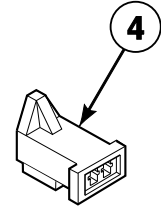
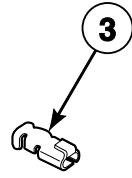
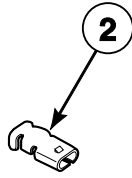
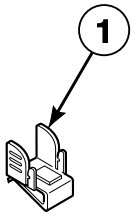
# Terminal Block and Terminals



DRY1867P\_506054

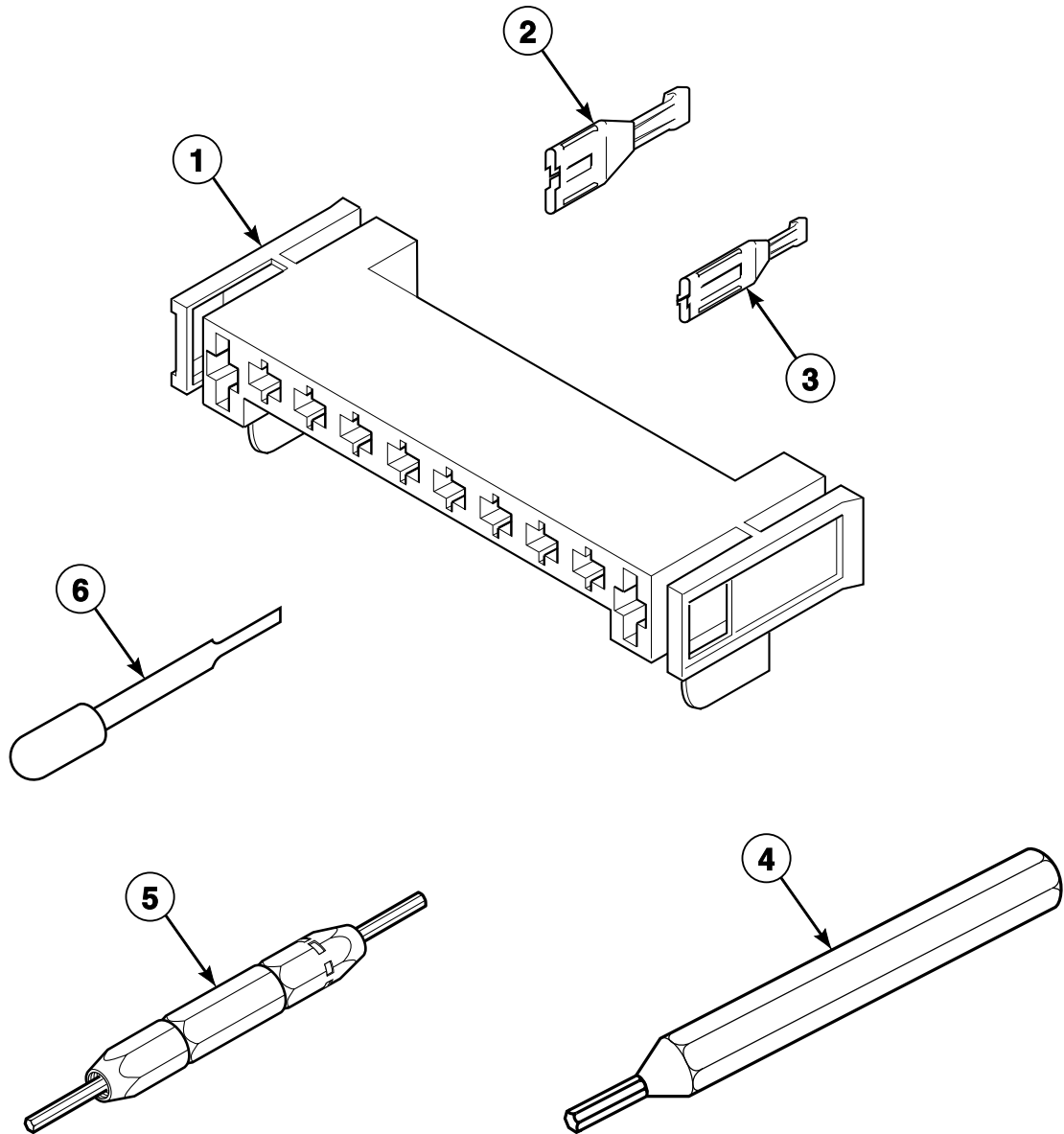


# Terminals



D322P\_506054

# Motor Connection Block, Terminal Extractor Tools



DRY1877P\_506054