

Image 1

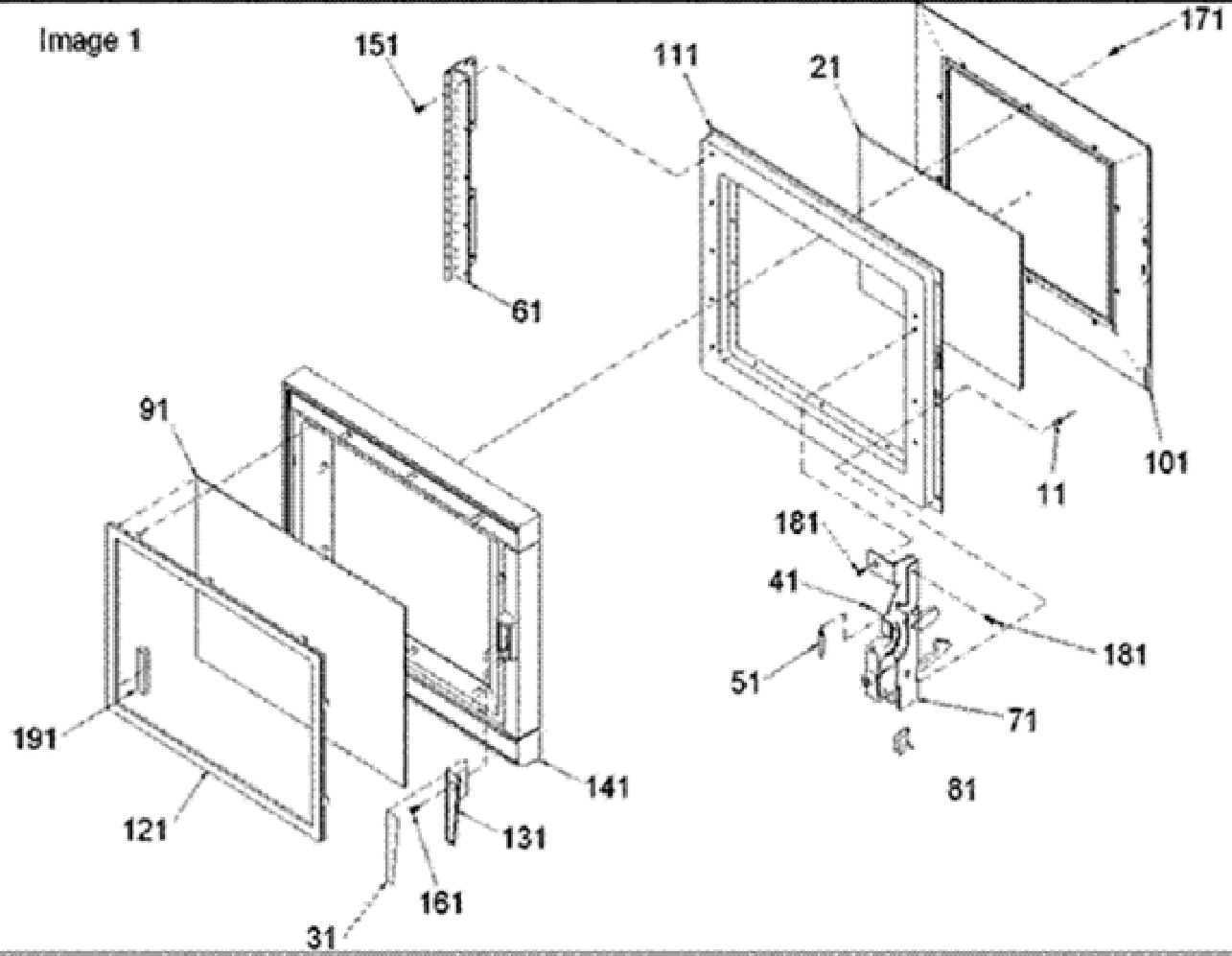


Image 2

