

Image 1

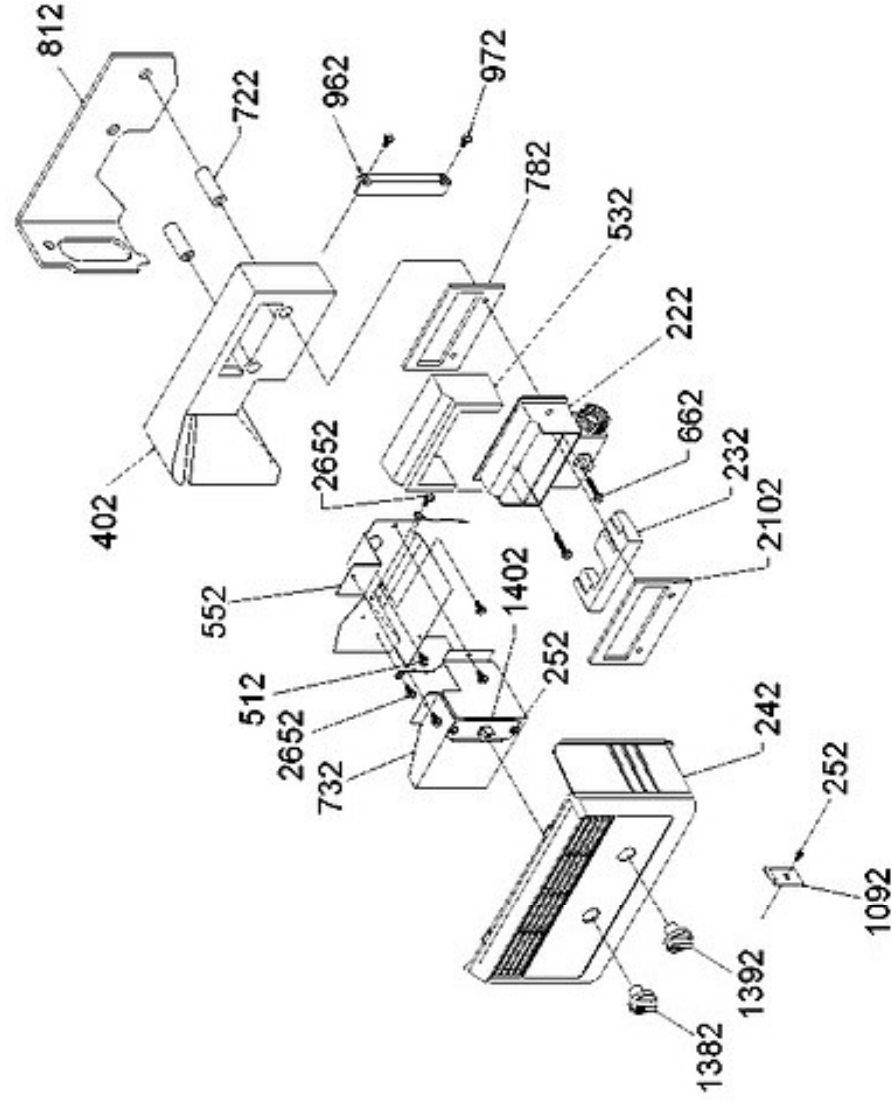


Image 2

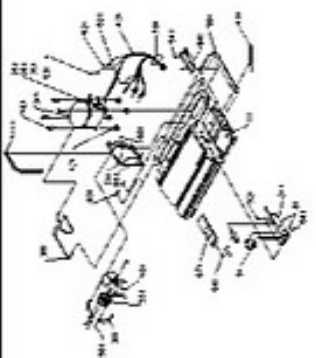


Image 1

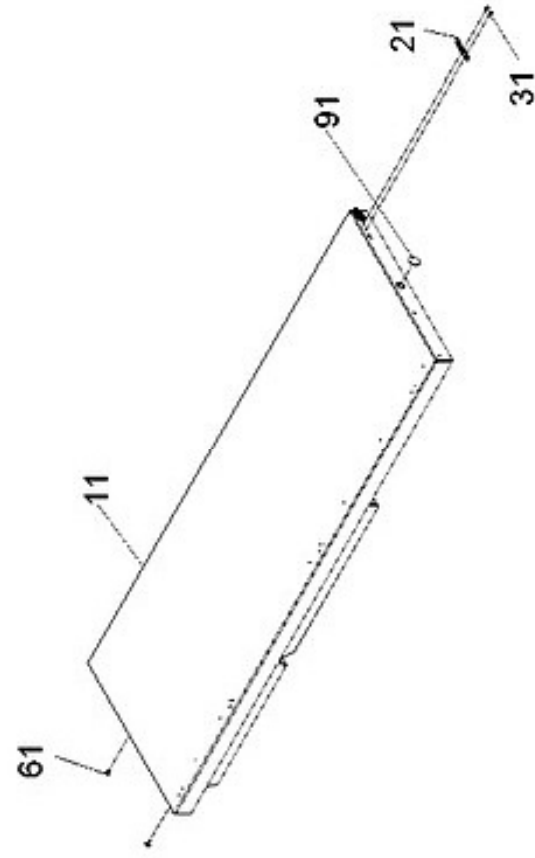


Image 2

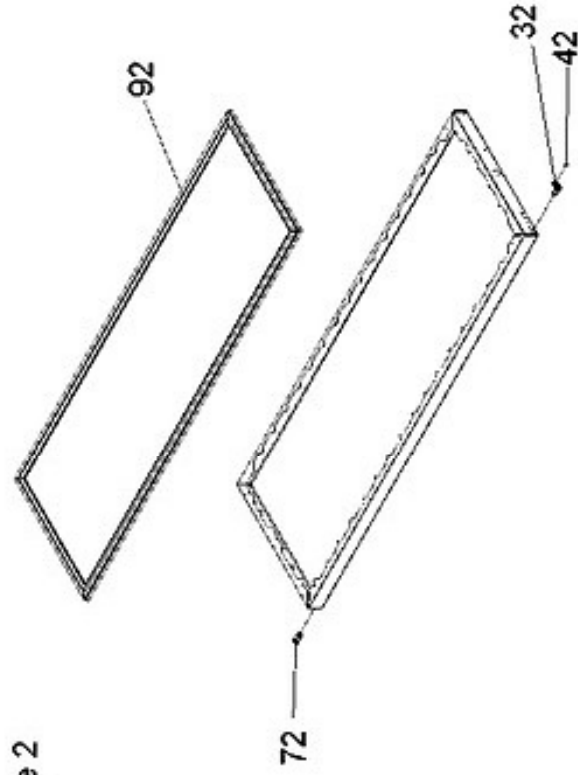


Image 3

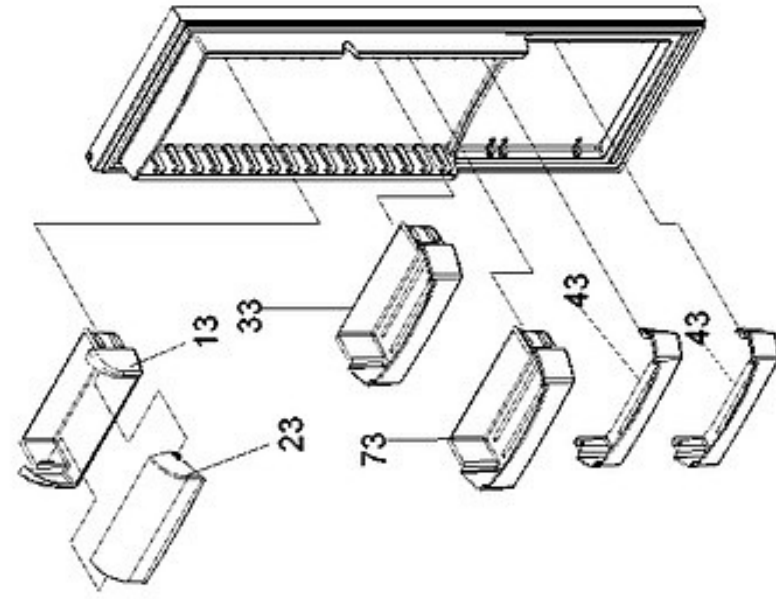


Image 4

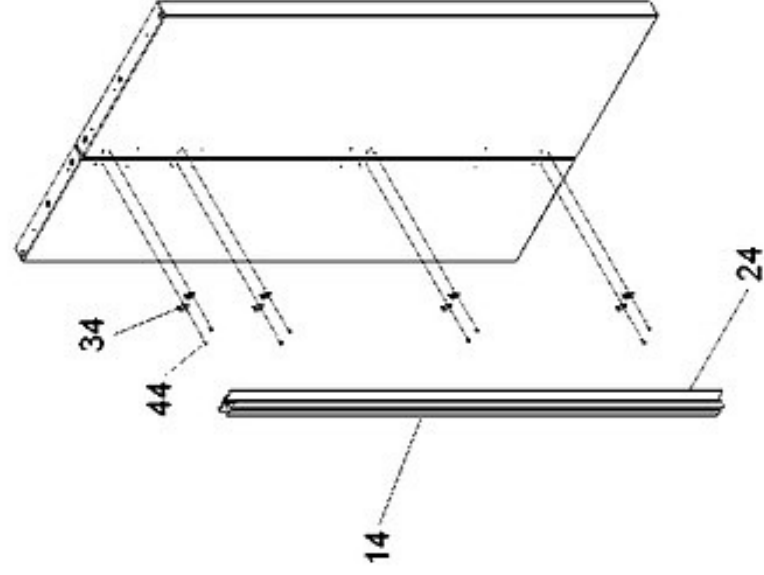
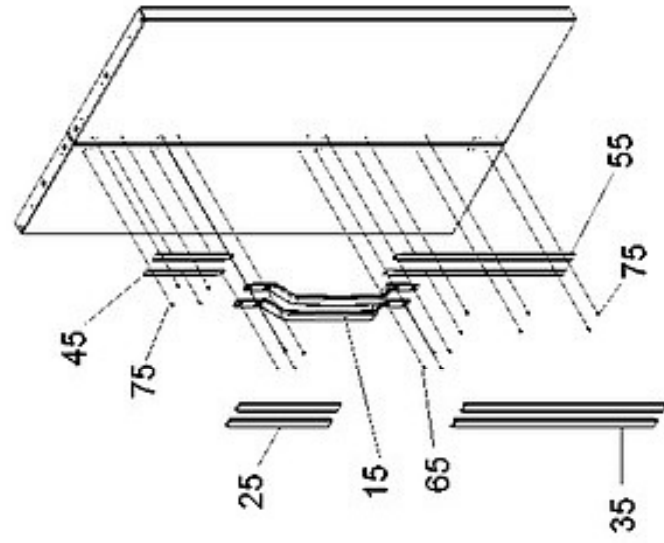


Image 5



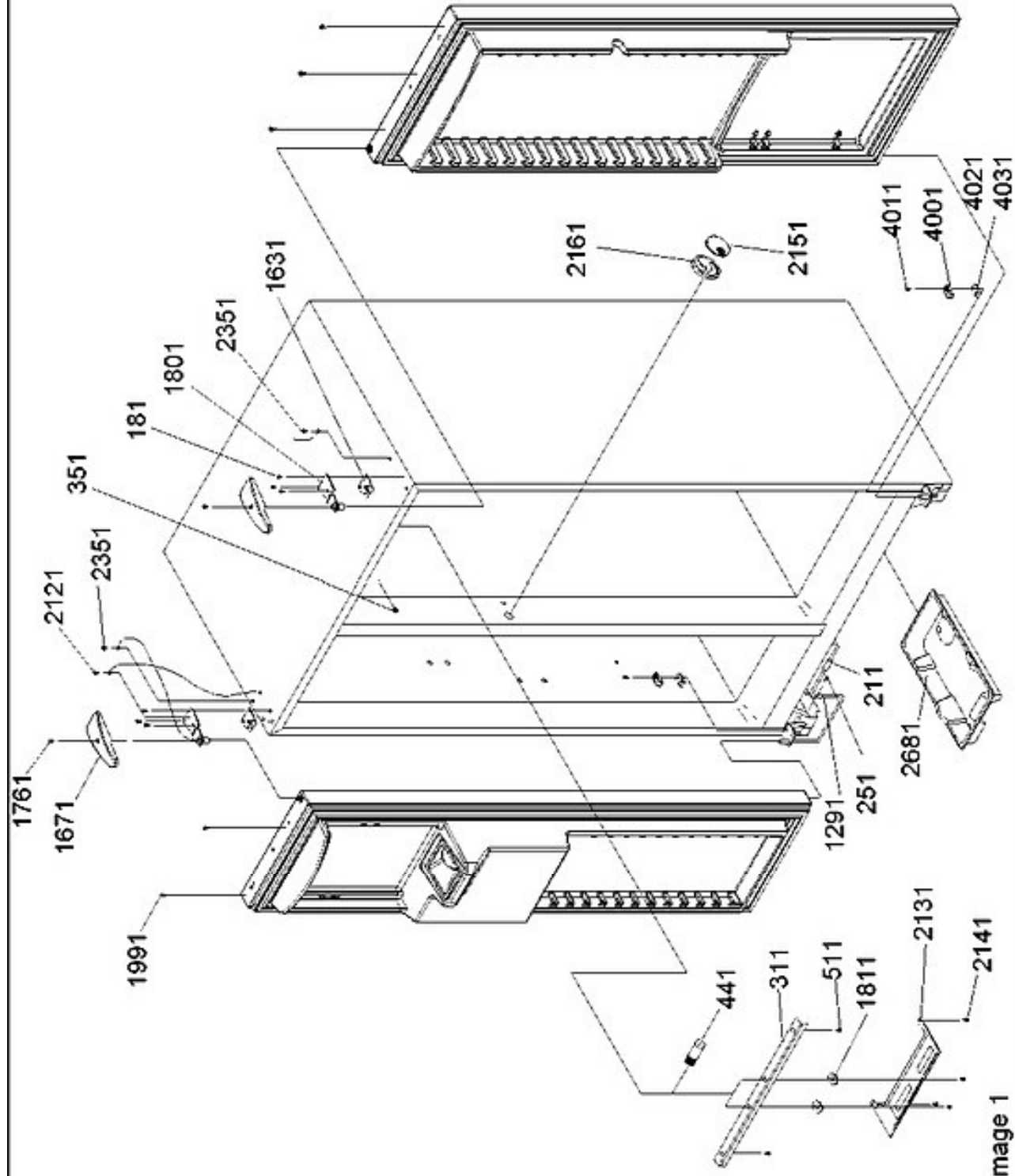


Image 1

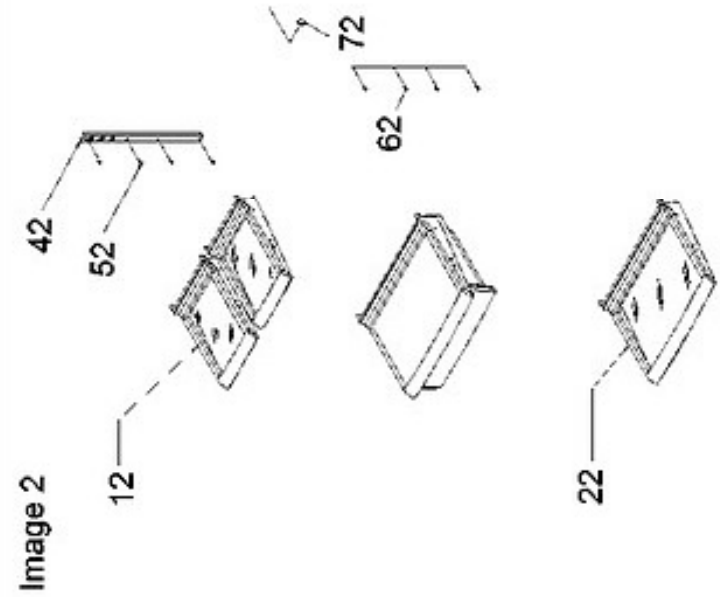


Image 2

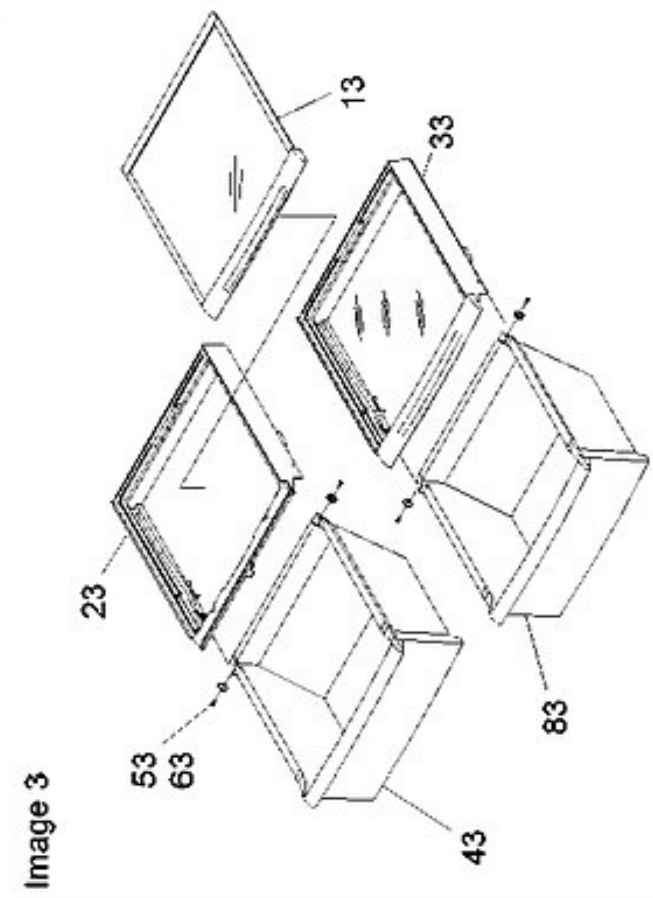


Image 3

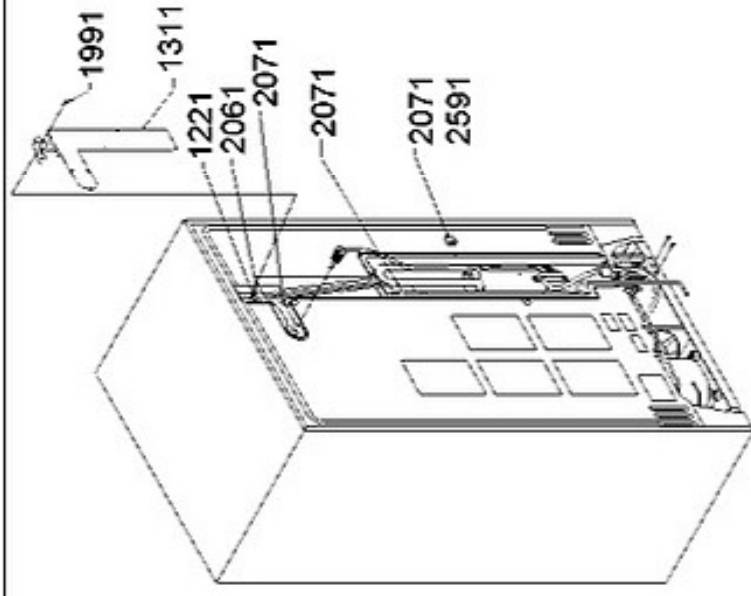


Image 1

Image 3

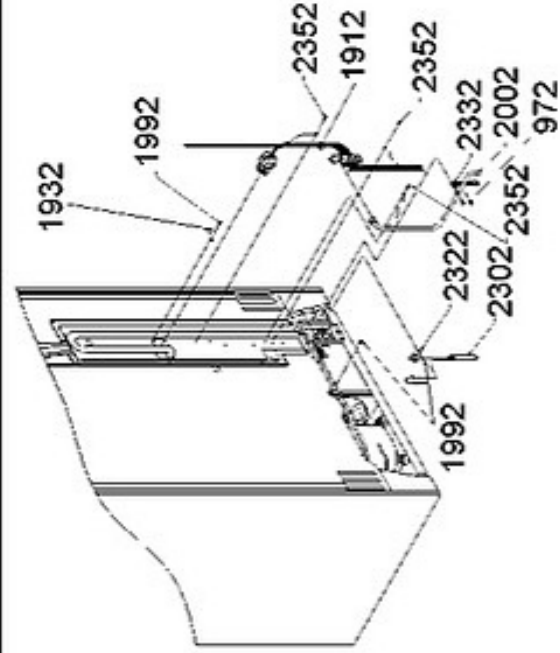
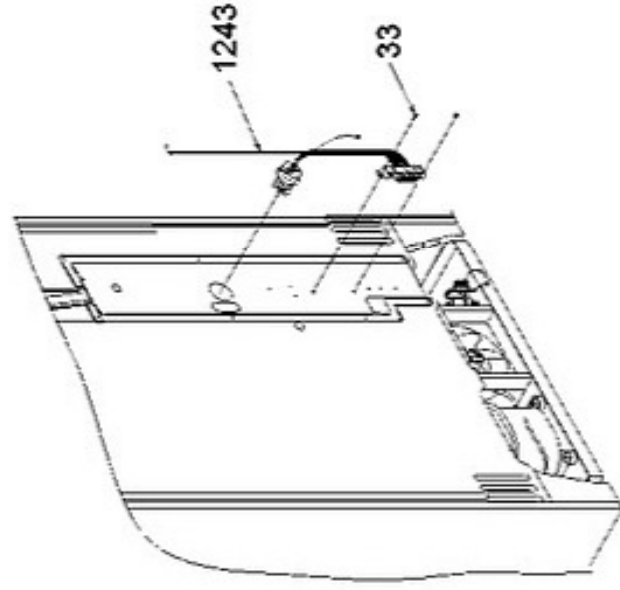


Image 2

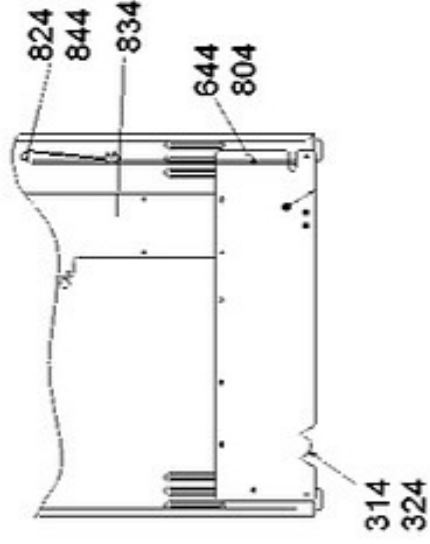
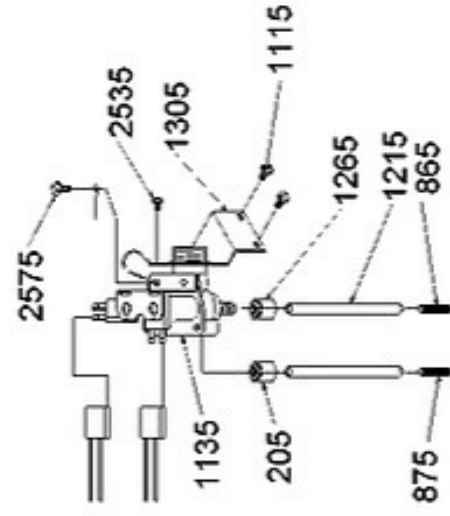


Image 4

Image 5



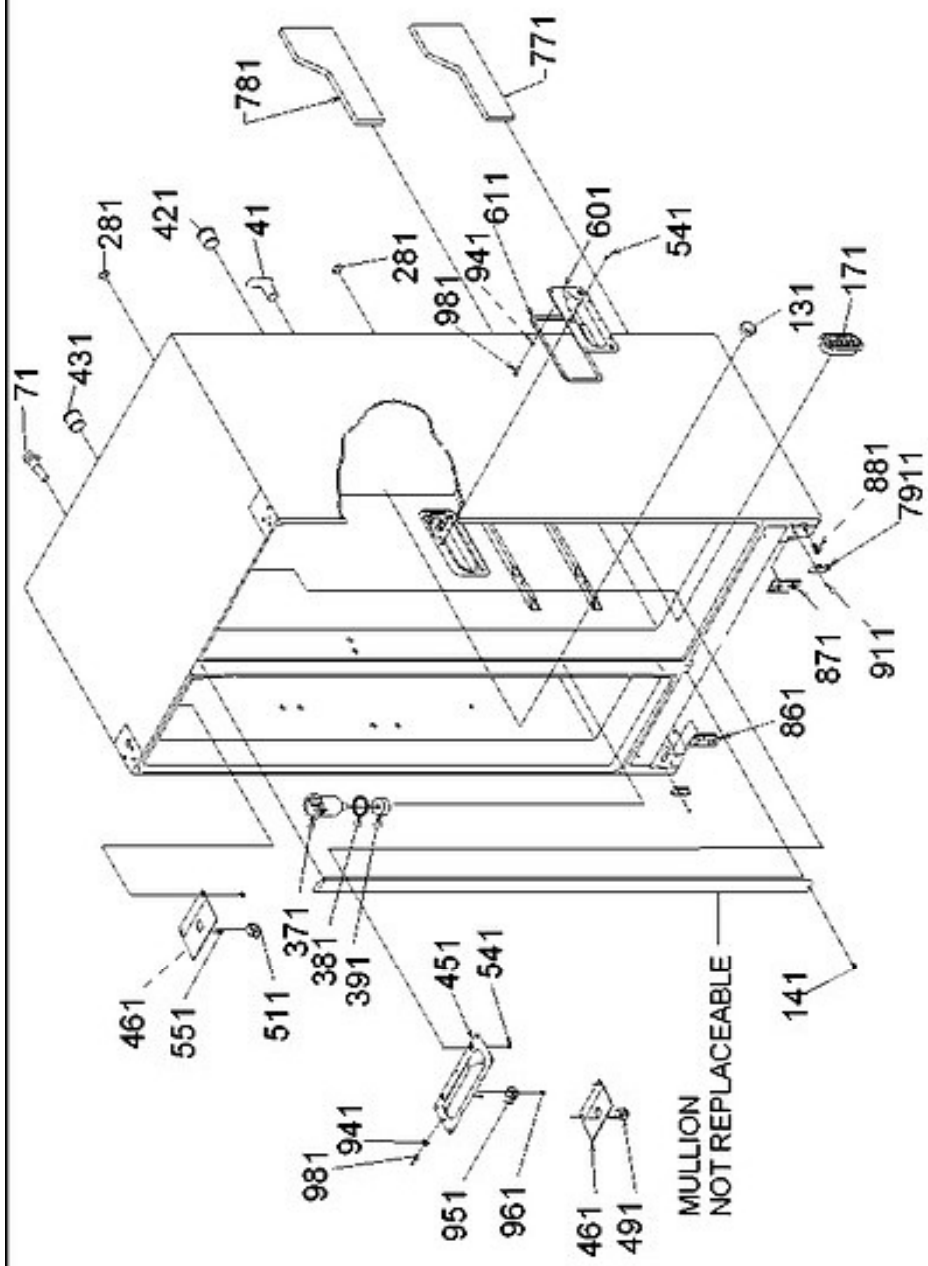
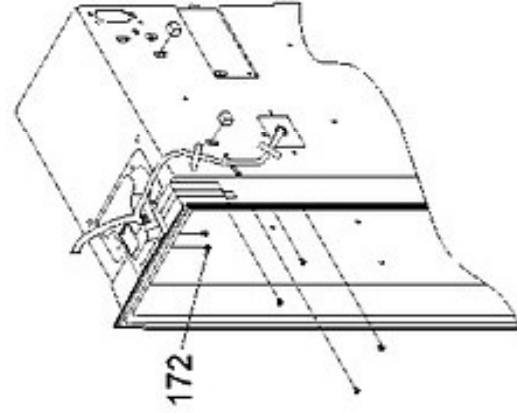


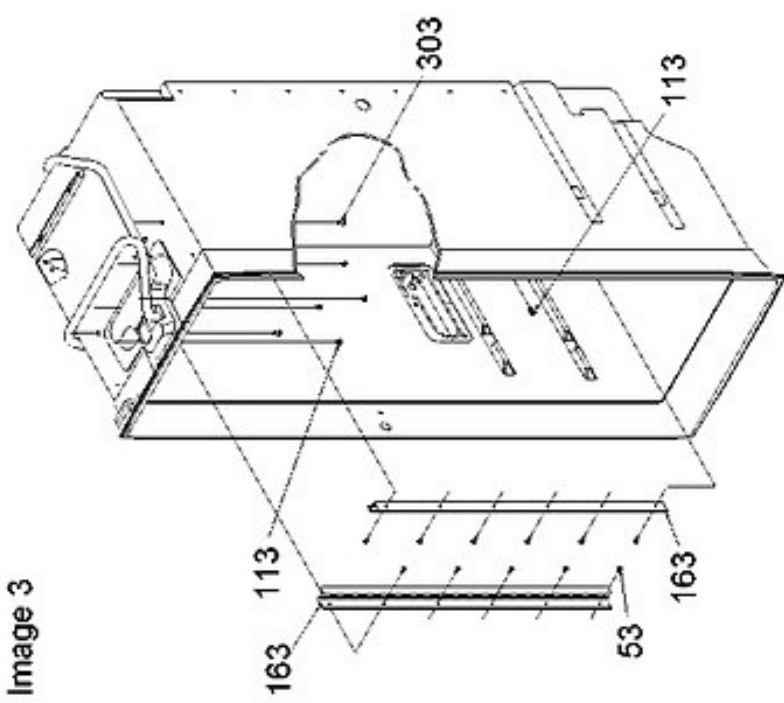
Image 1

Image 2

Image 3



FREEZER



REFRIGERATOR

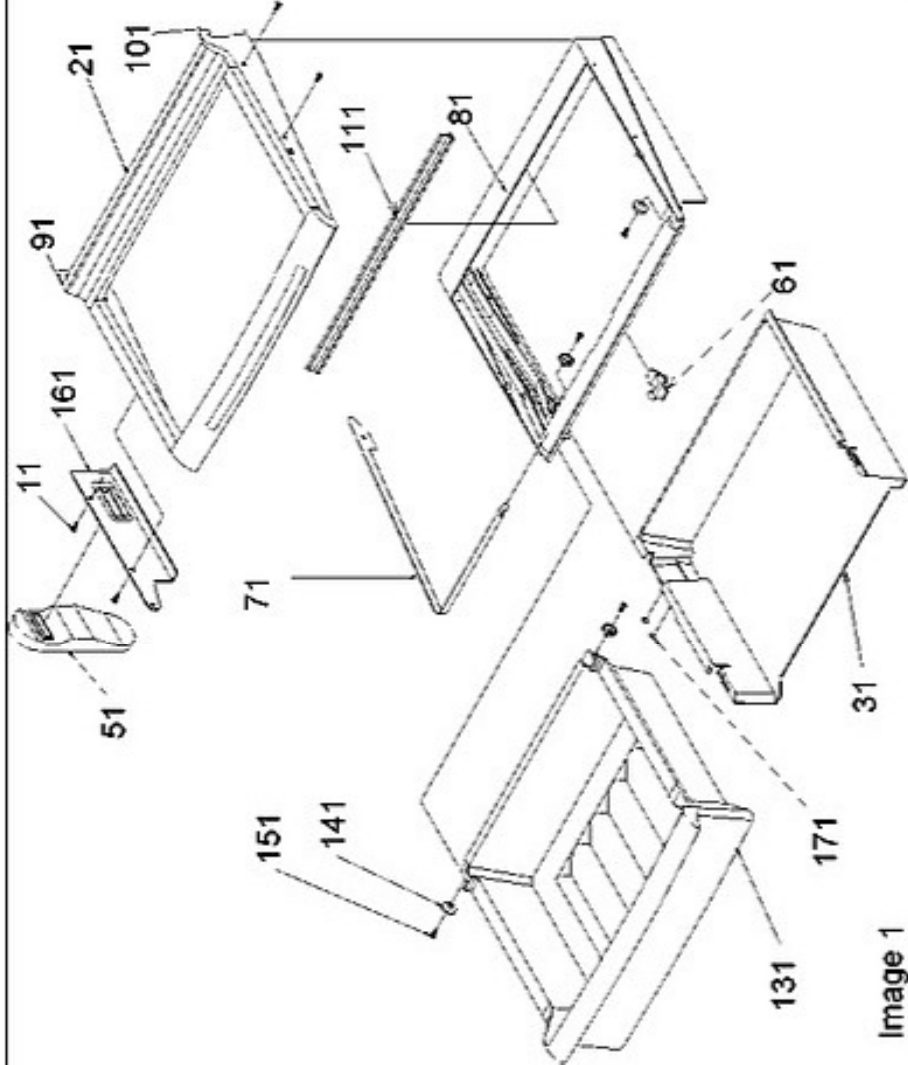


Image 1

Image 3

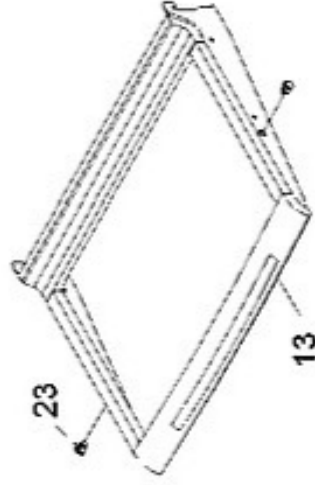


Image 2

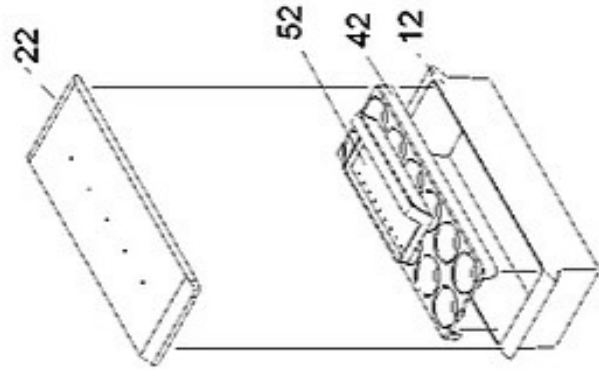


Image 4

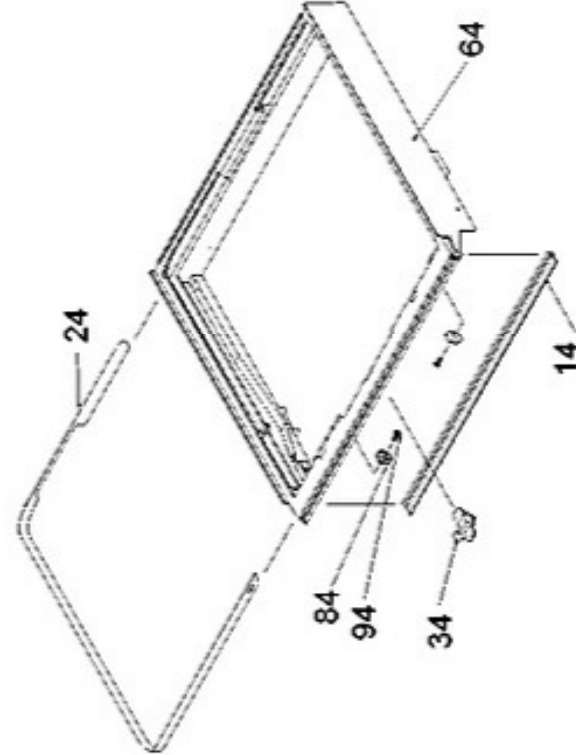
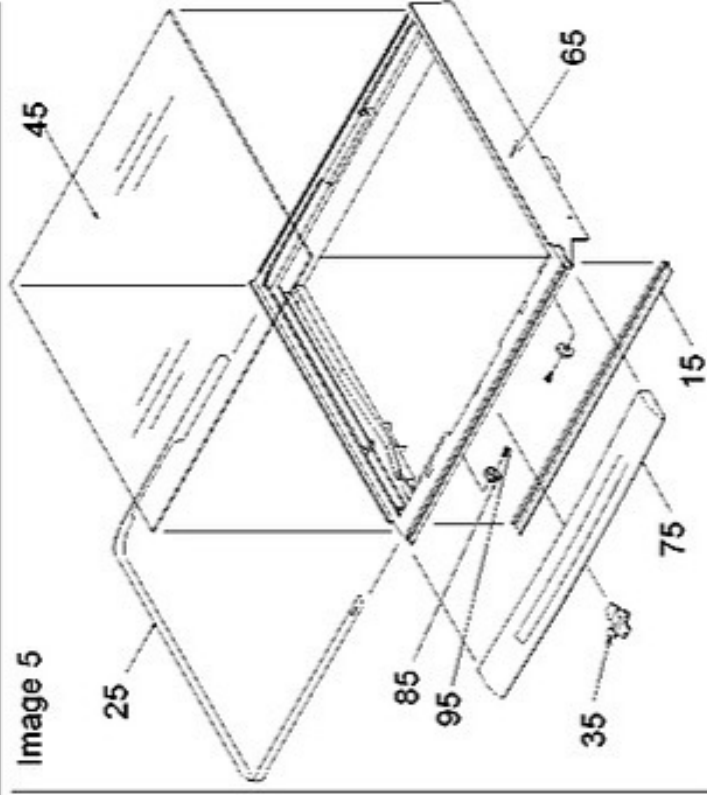


Image 5



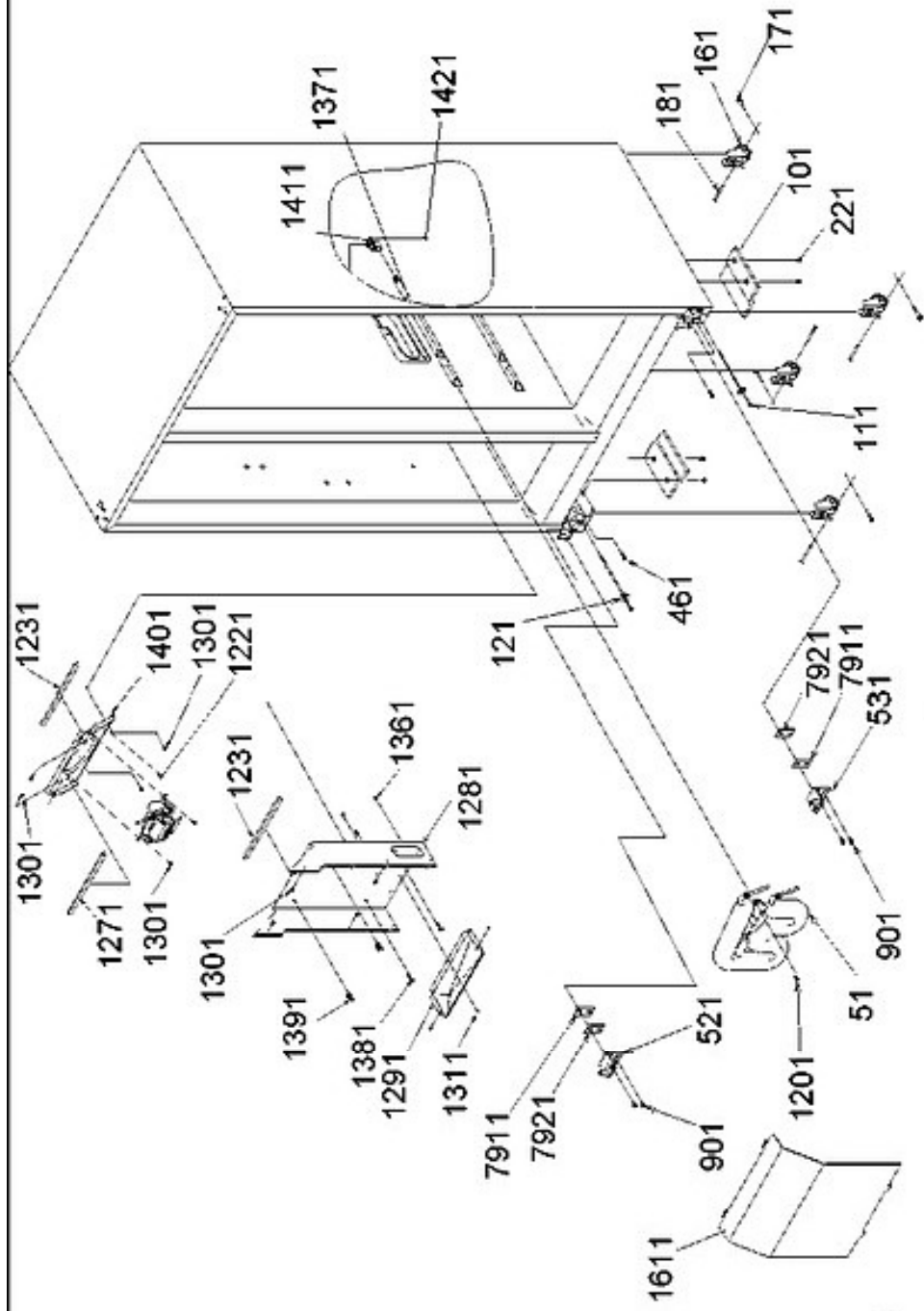


Image 1

Image 3

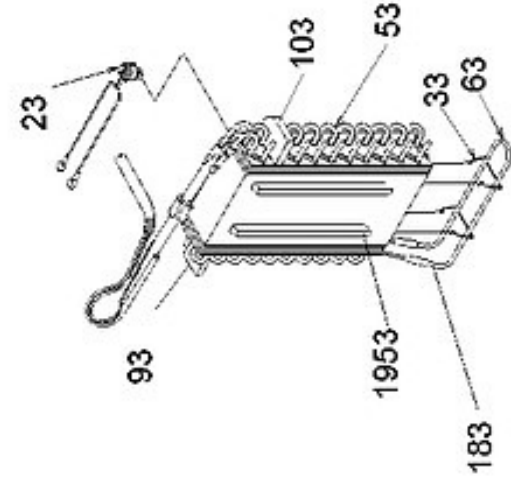


Image 5

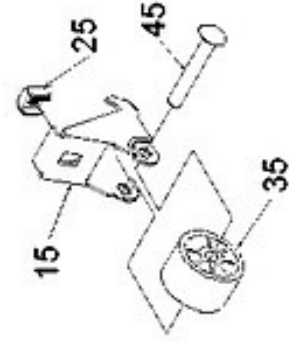


Image 2

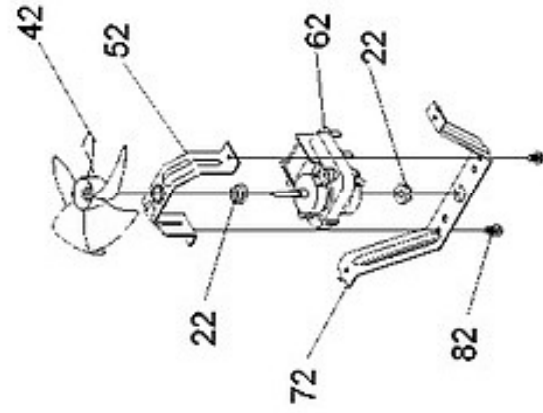
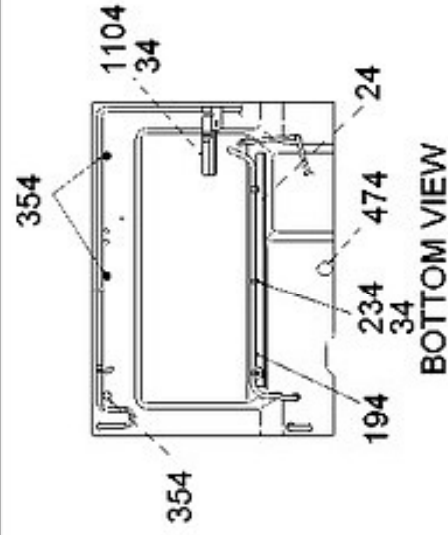


Image 4



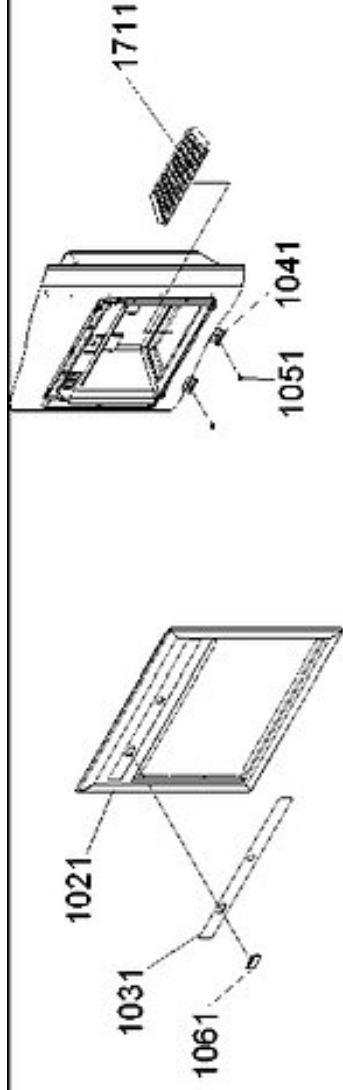


Image 1

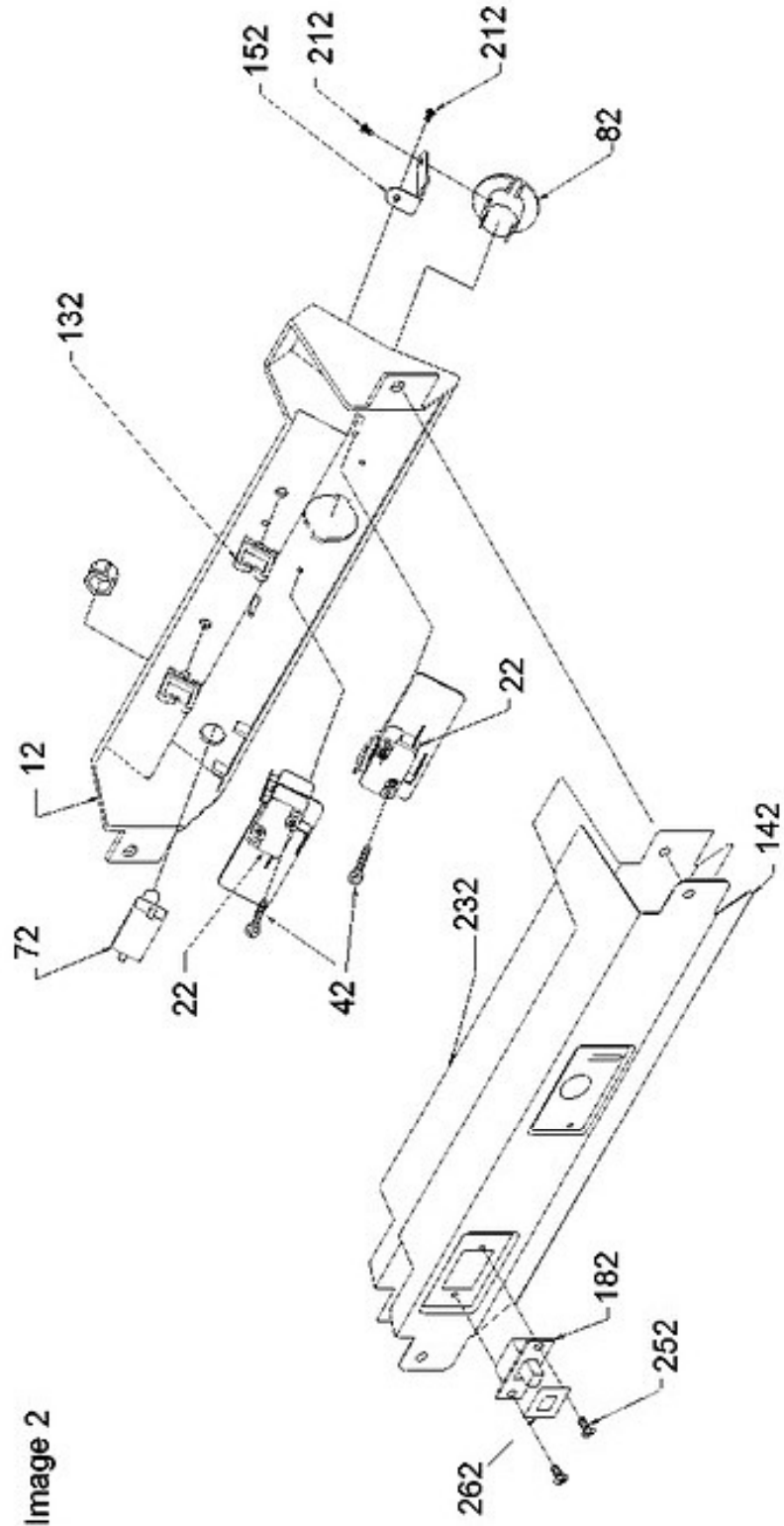
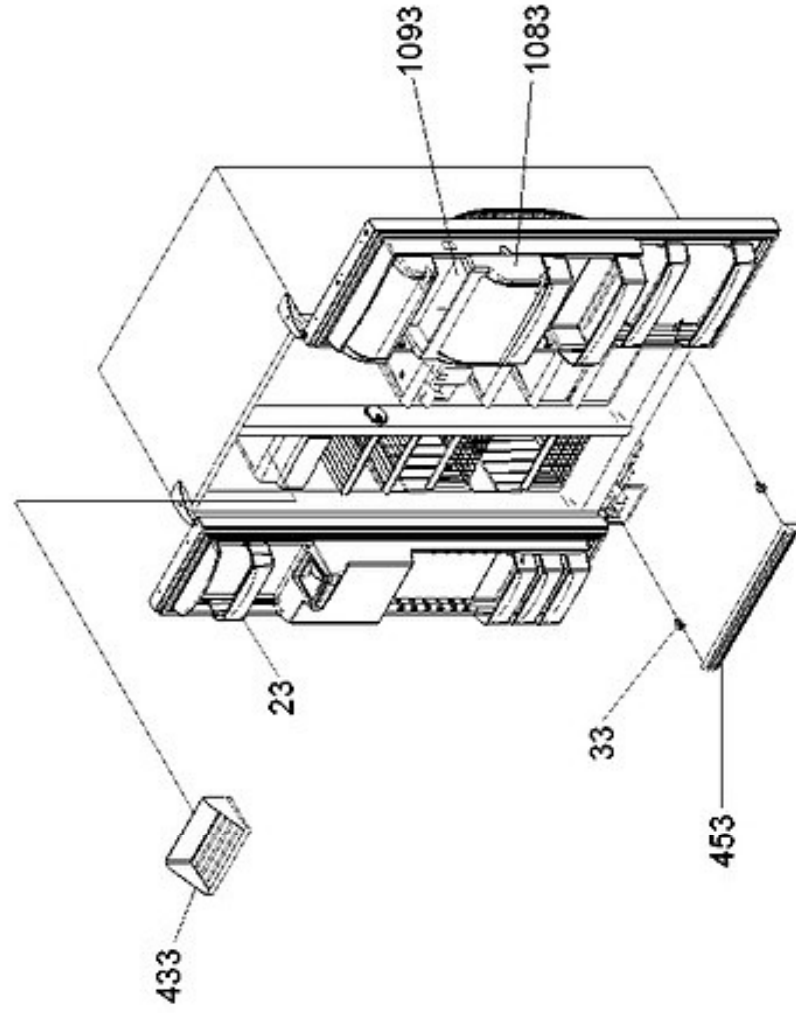


Image 2

Image 3



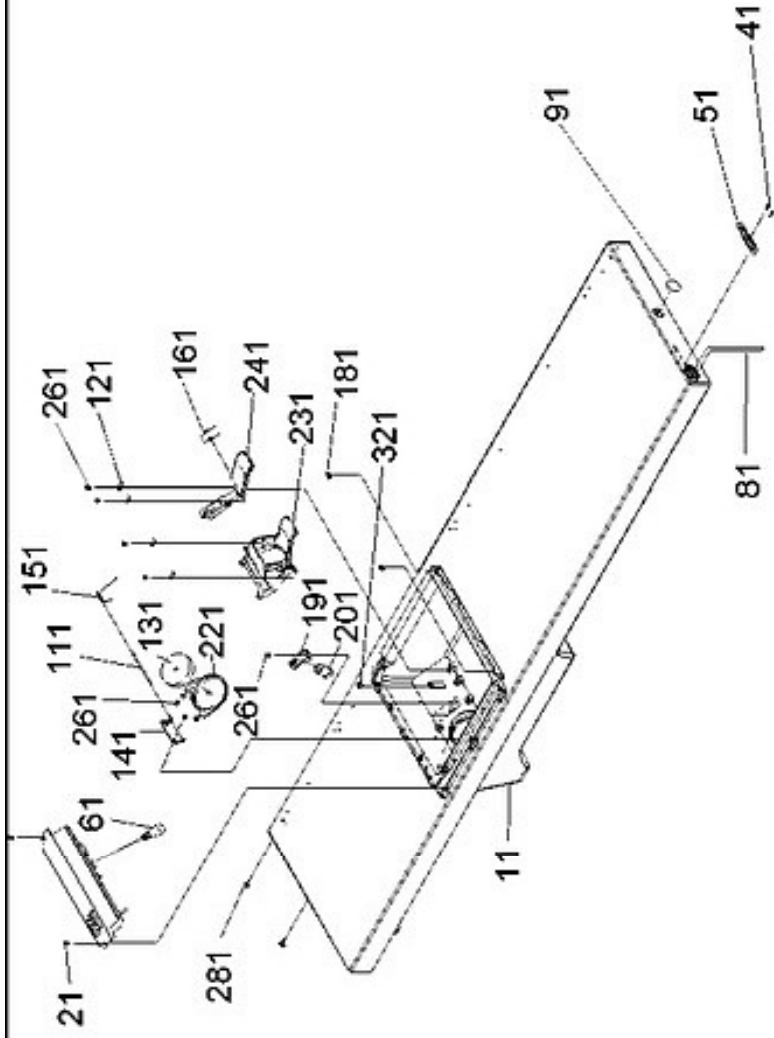


Image 1

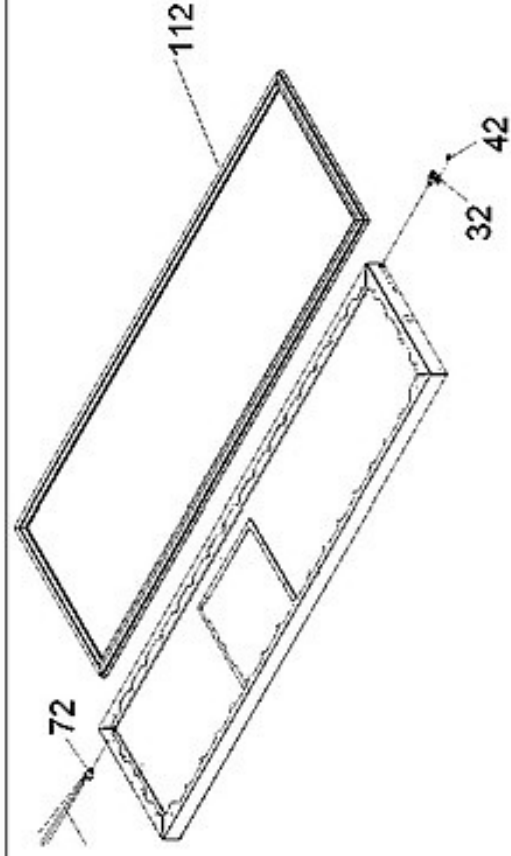


Image 2

HEATER/HARNNESS
NOT FIELD
REPLACEABLE

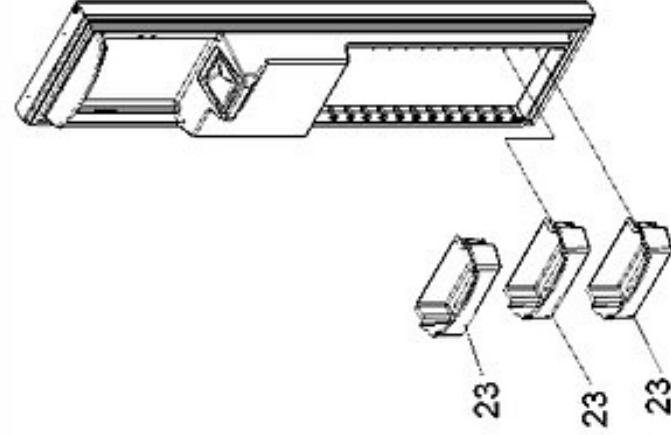


Image 3

Image 1

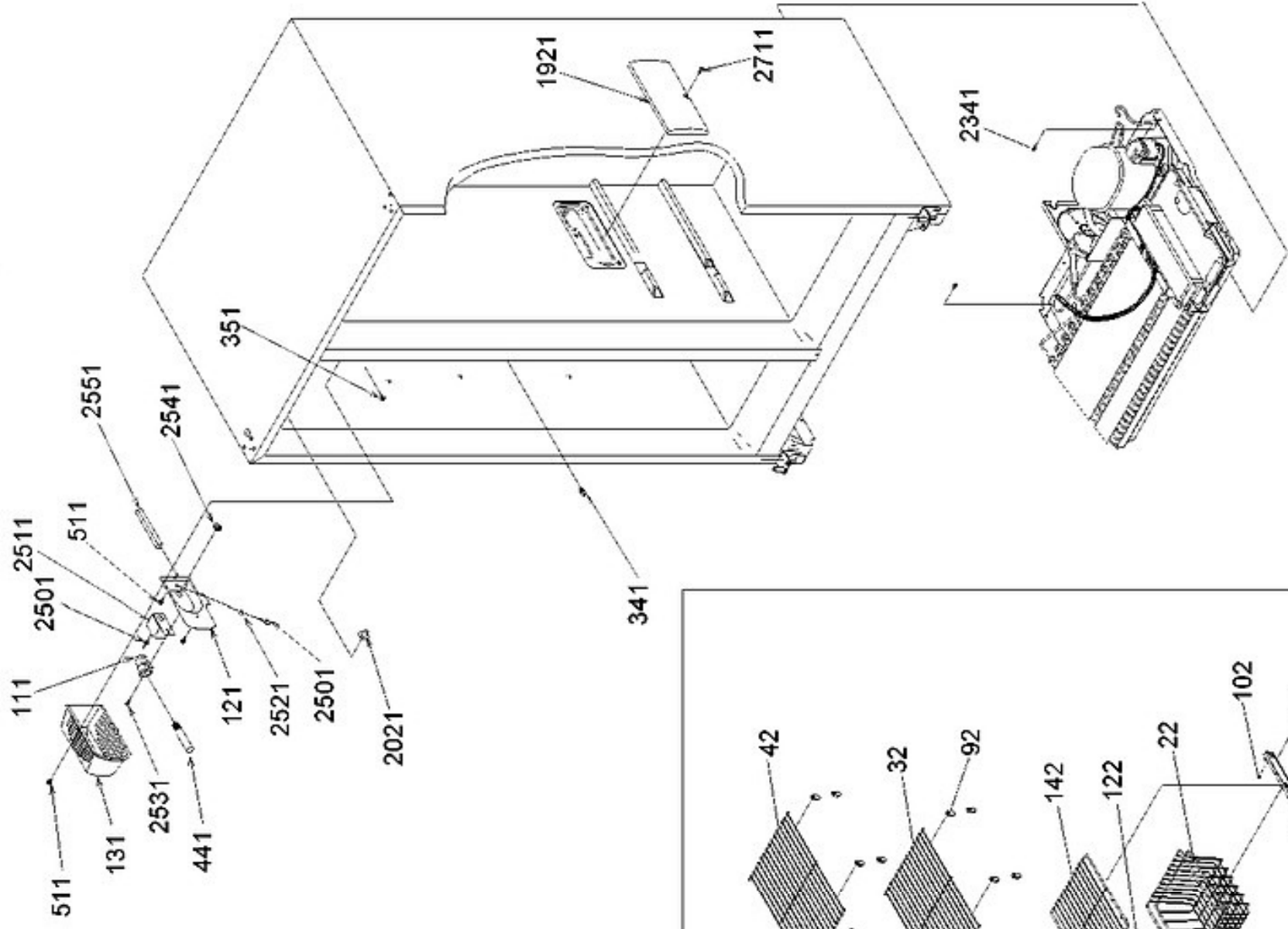
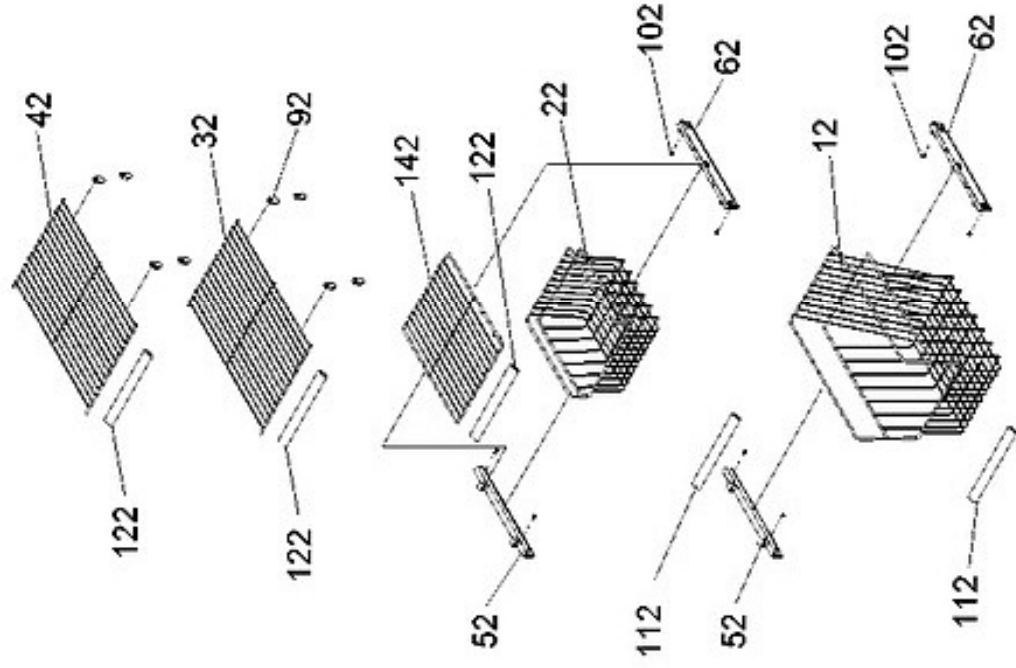


Image 2



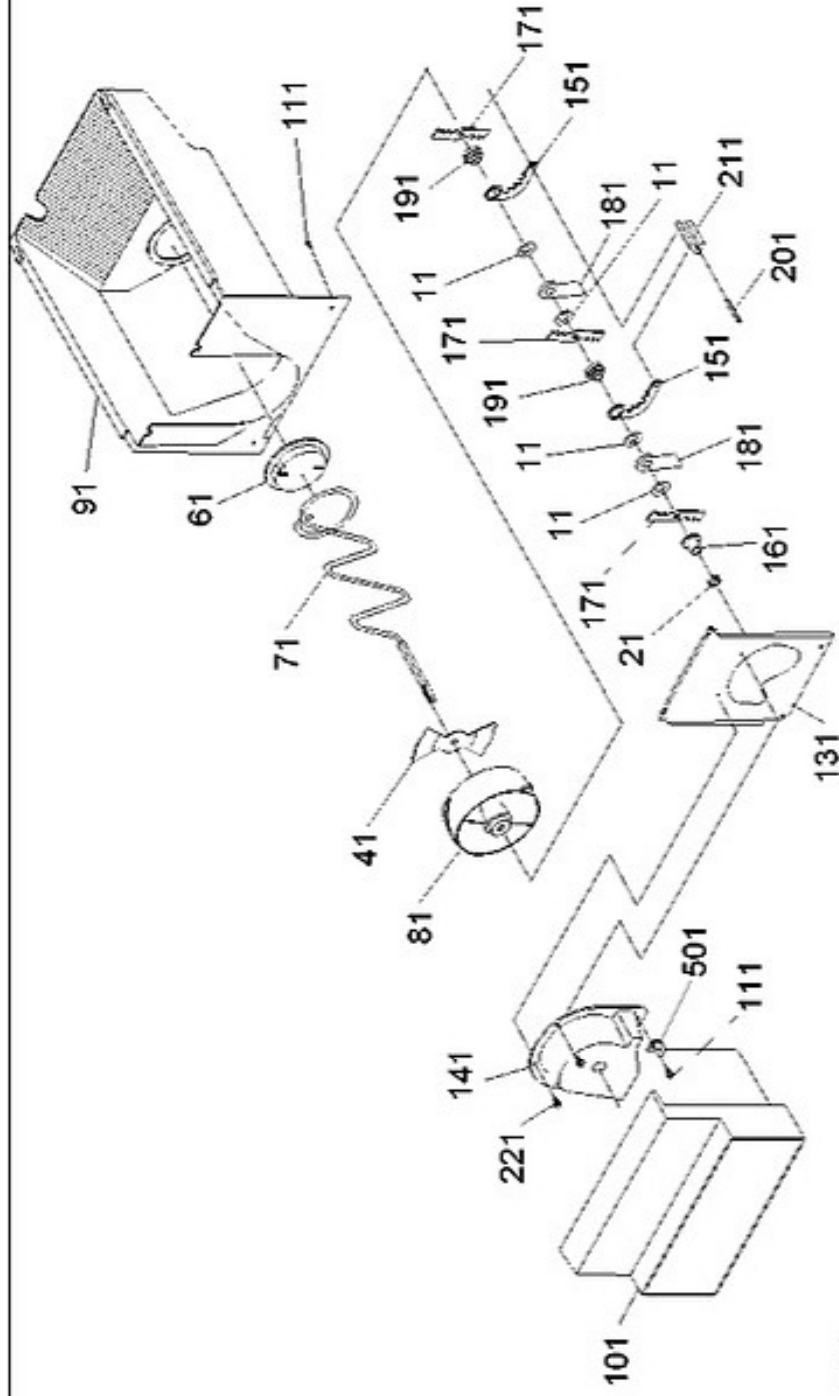


Image 1

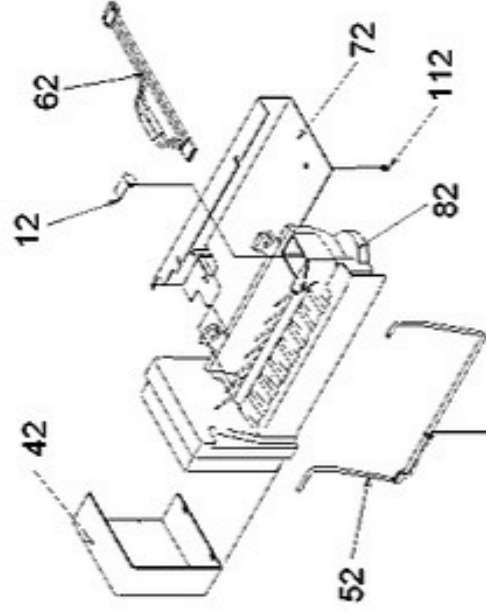


Image 2

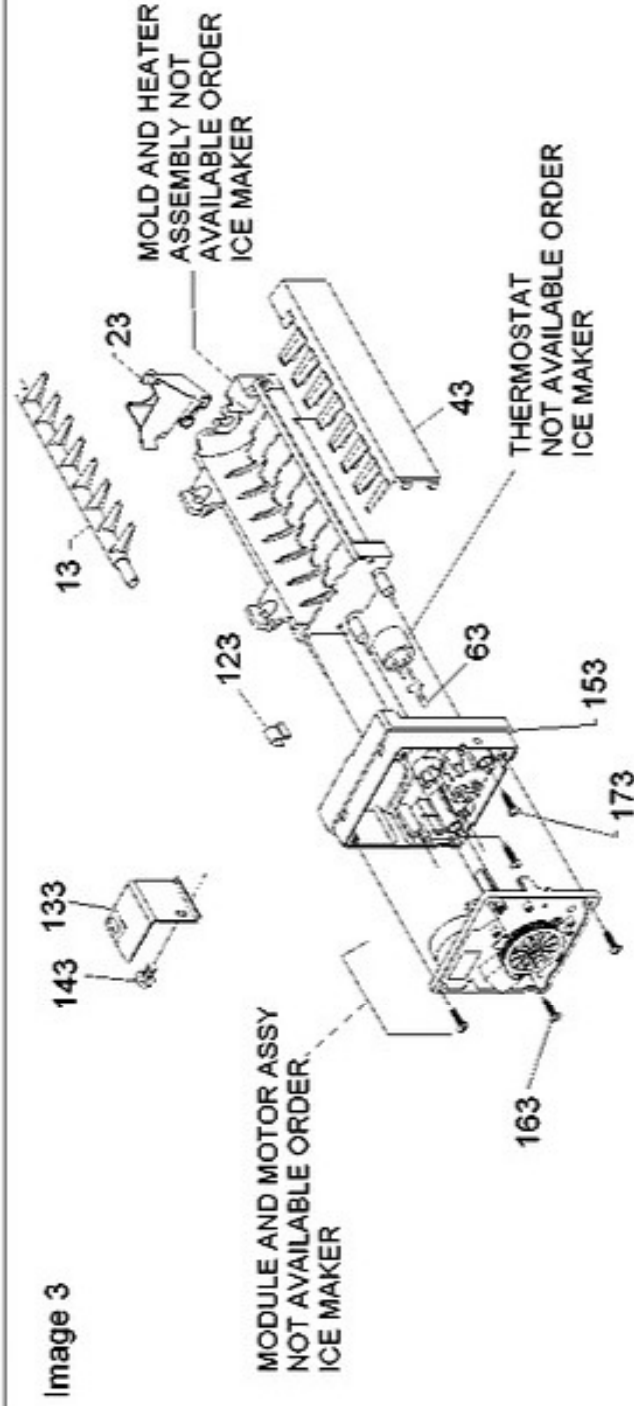


Image 3