

VUE 30306

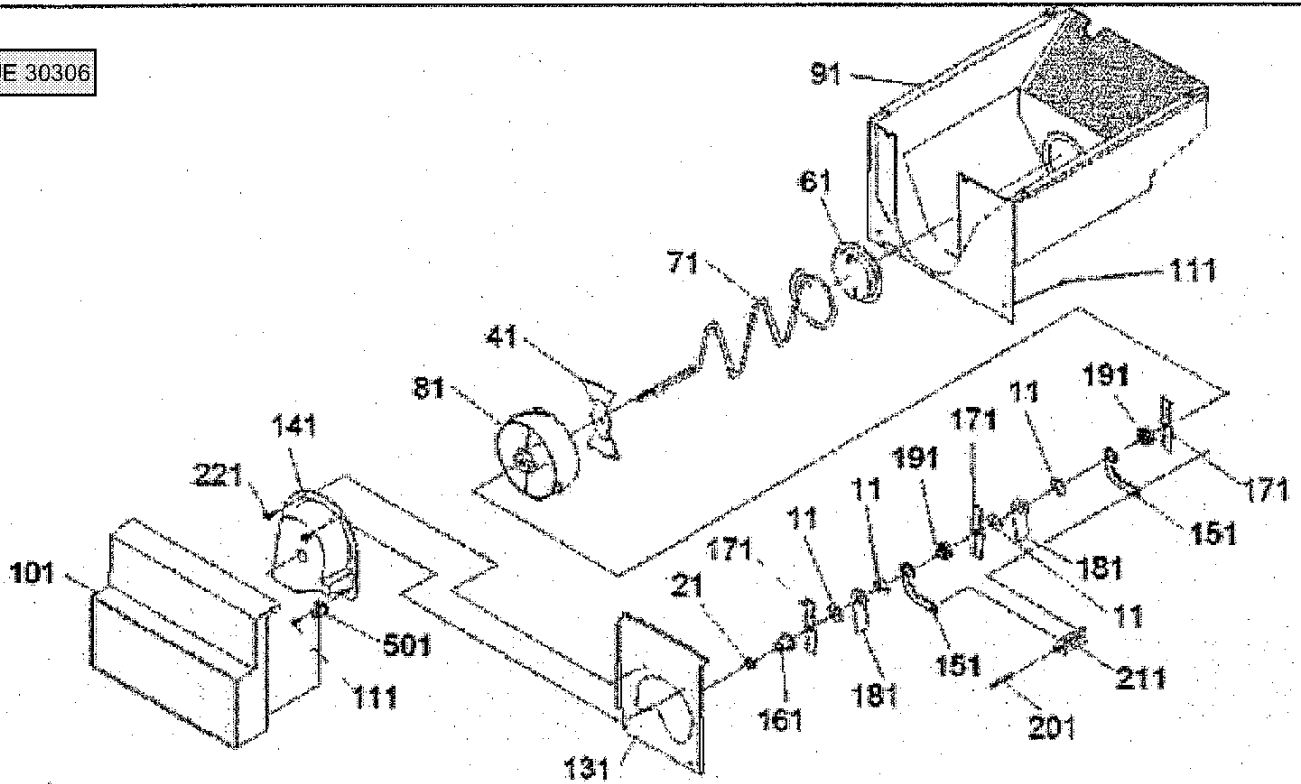


Image 1

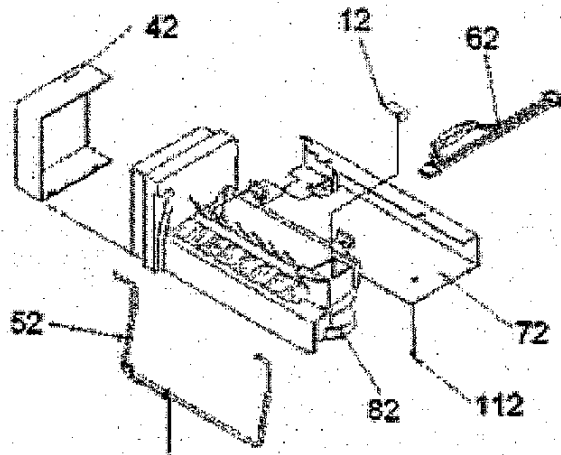
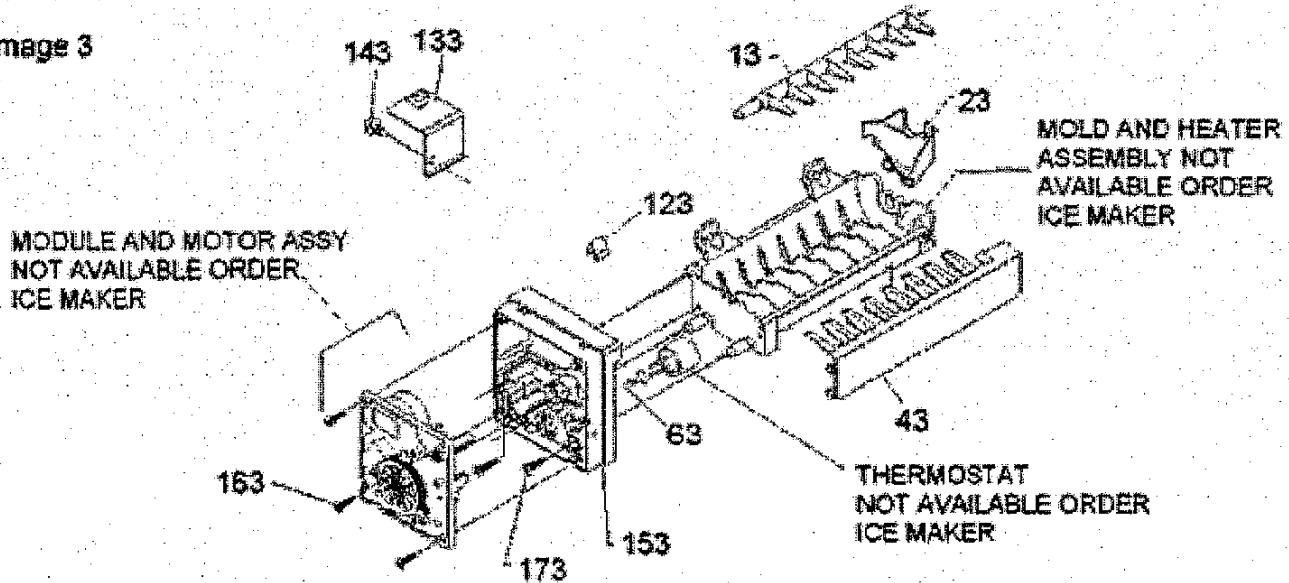


Image 2

Image 3



VUE 30303

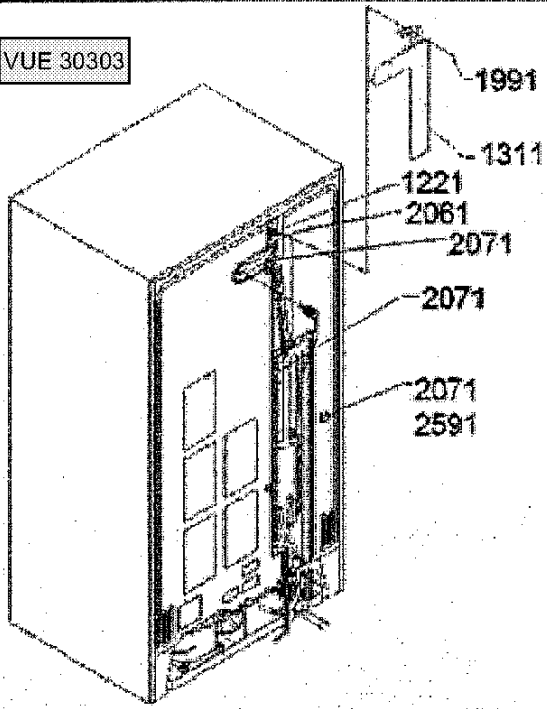


Image 1

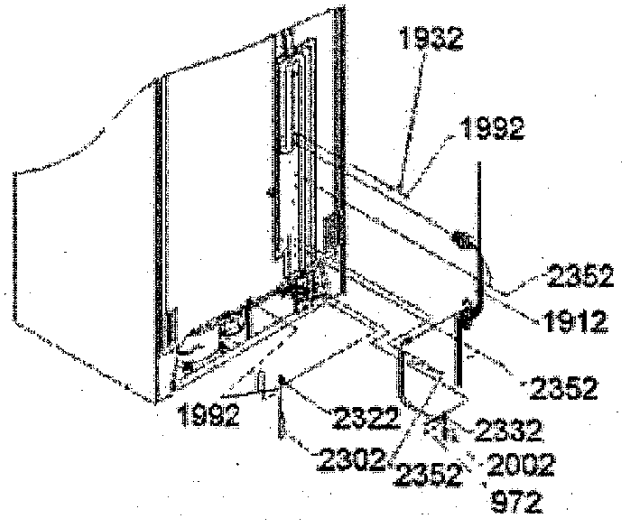


Image 2

Image 3

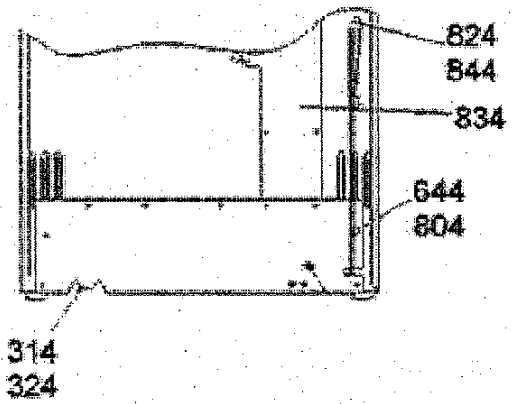


Image 4

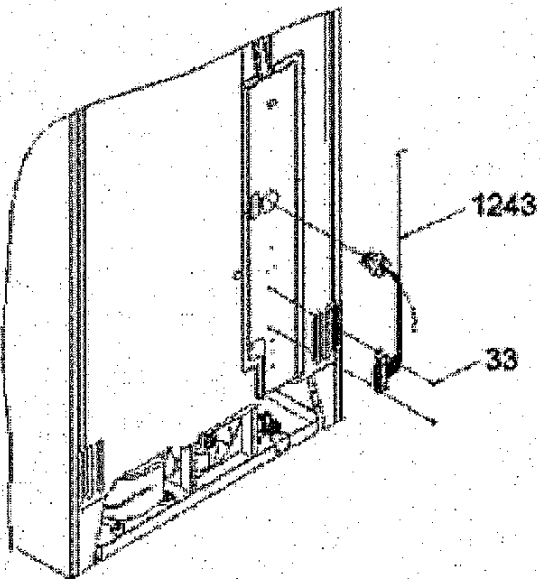
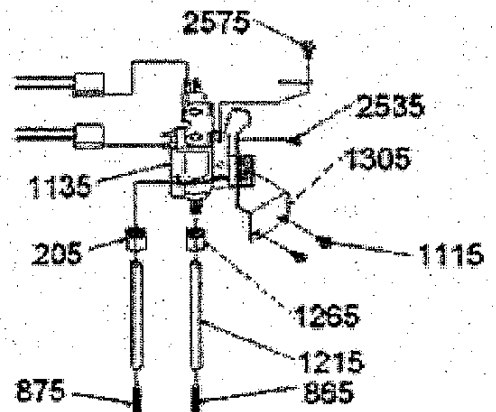


Image 5



VUE 30302

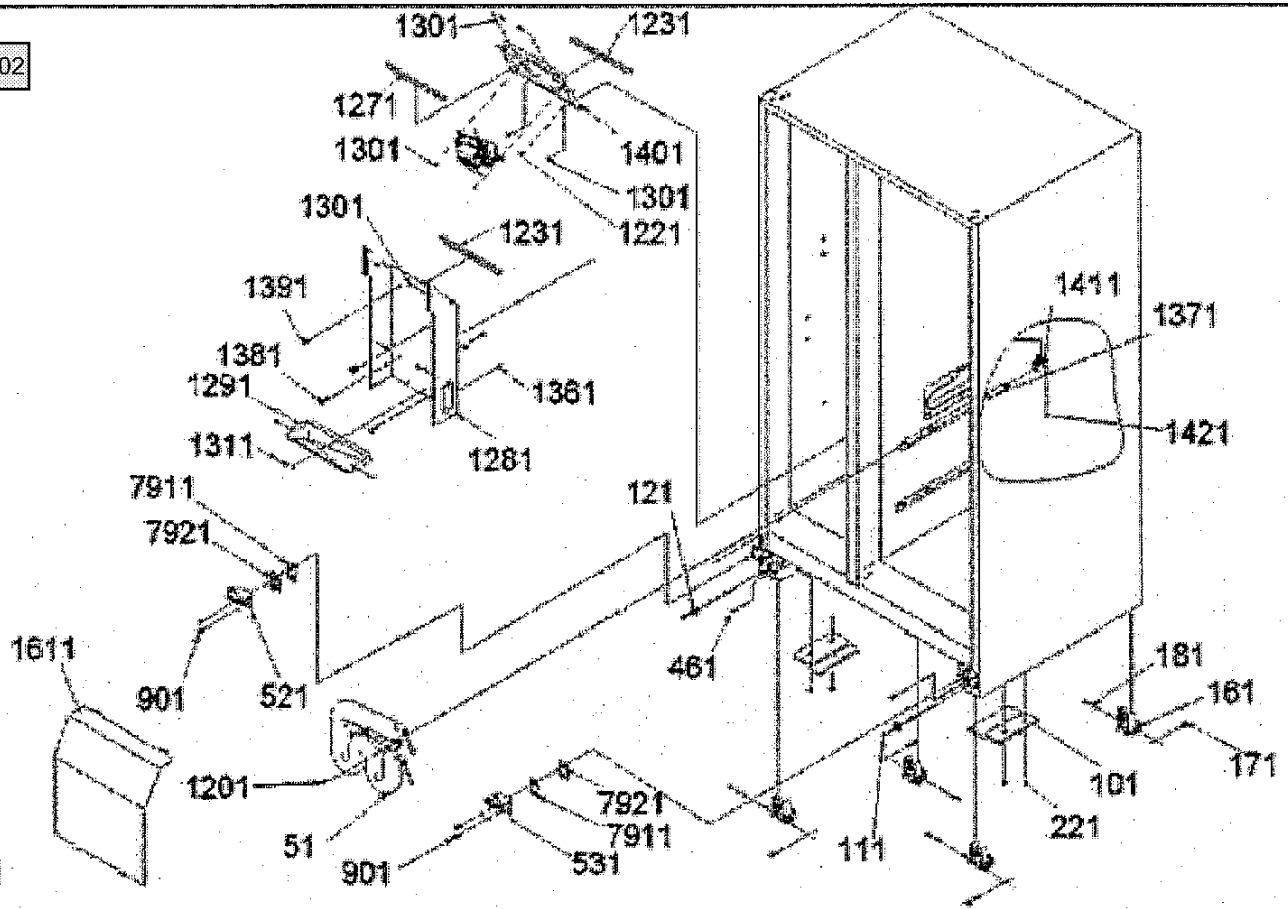


Image 1

Image 2

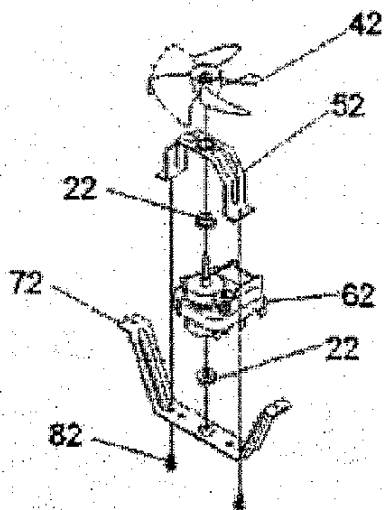


Image 3

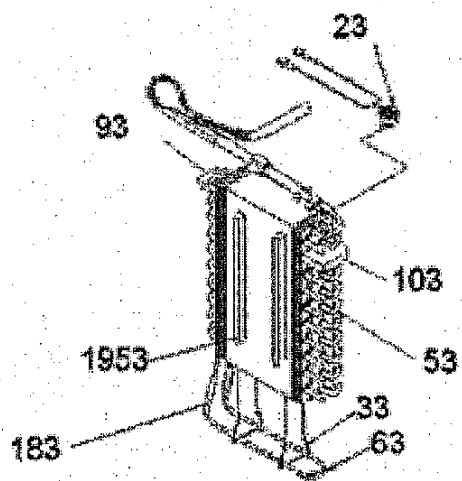


Image 4

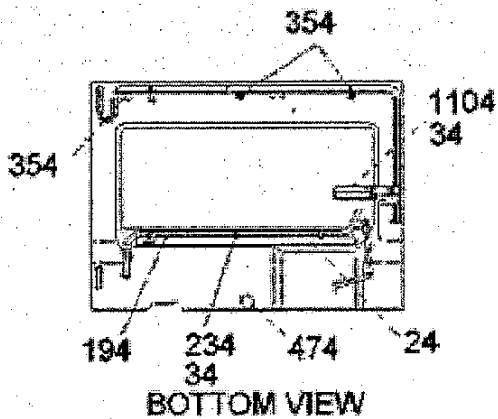
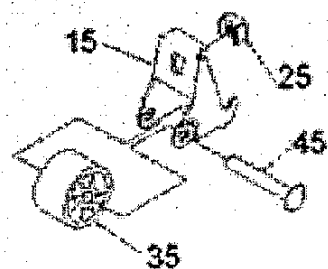


Image 5



VUE 30301

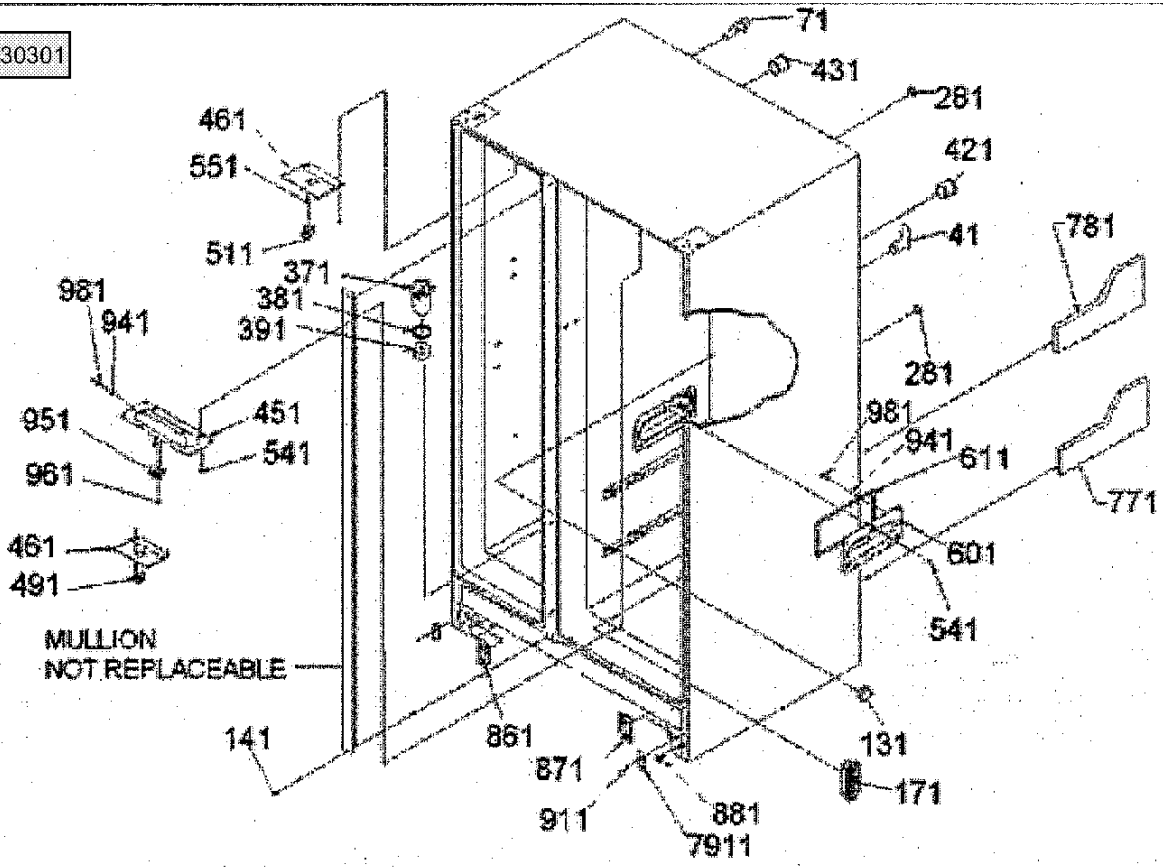
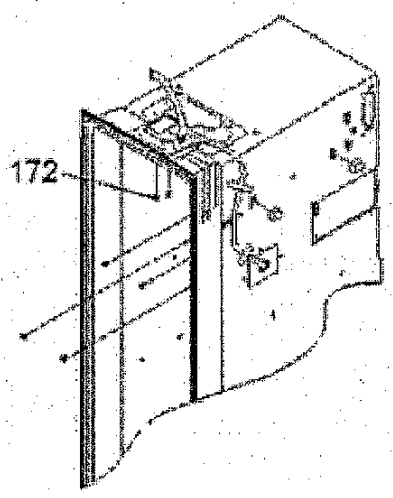


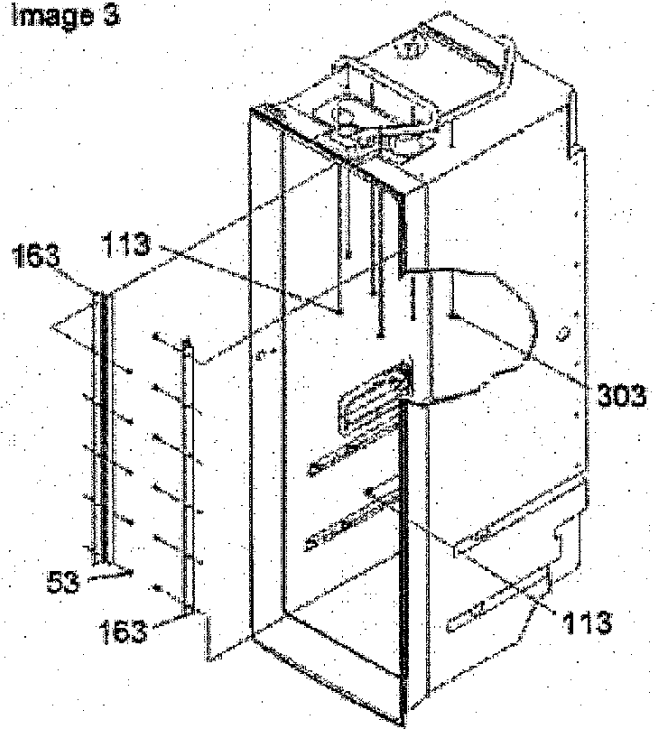
Image 1

Image 2



FREEZER

Image 3



REFRIGERATOR

Image 1

VUE 30300

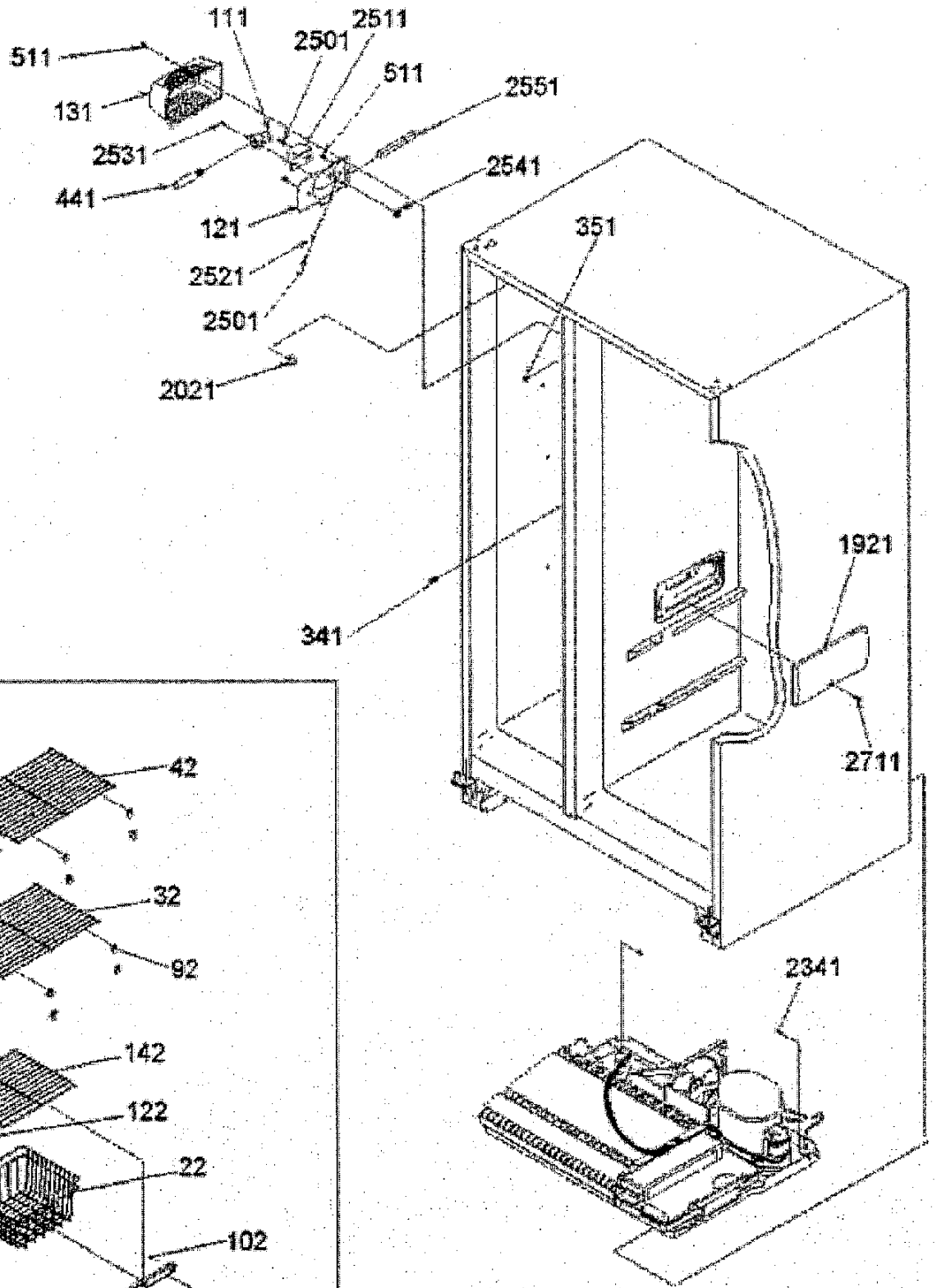
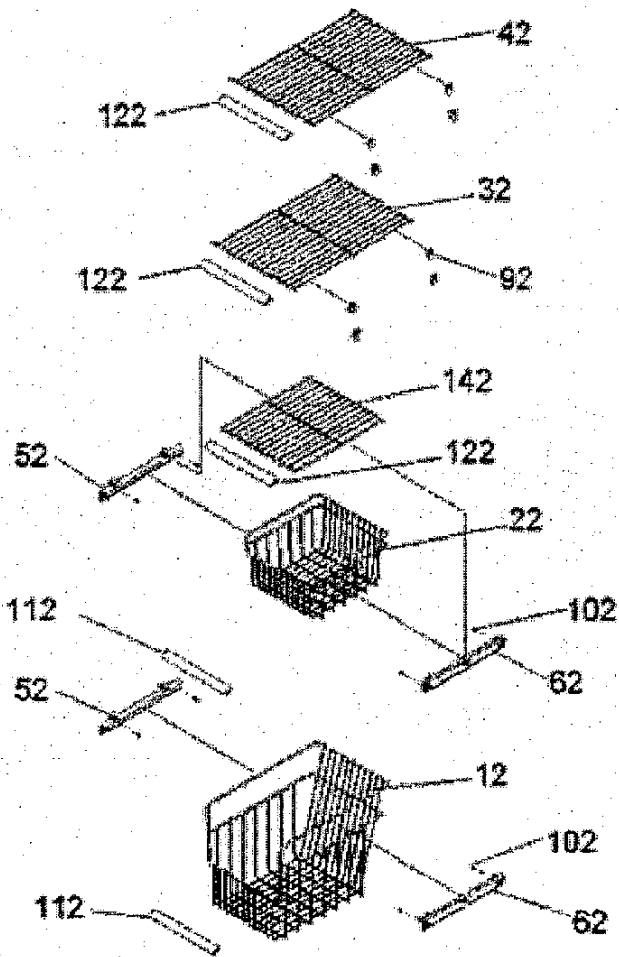


Image 2



VUE 30299

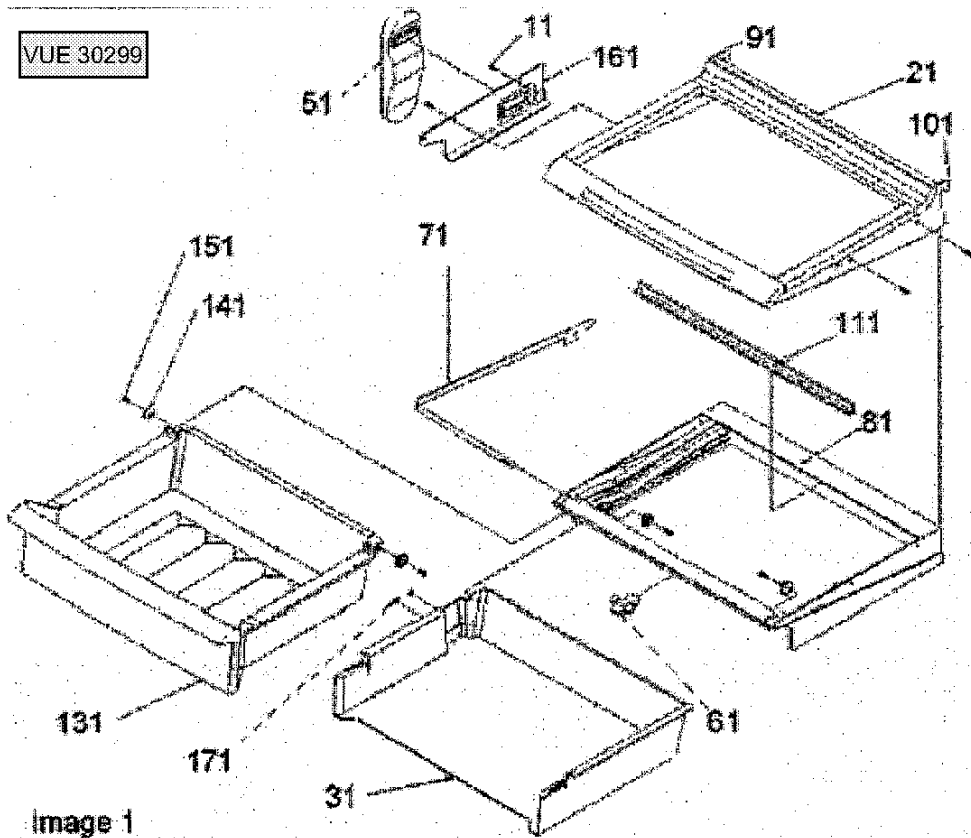


Image 1

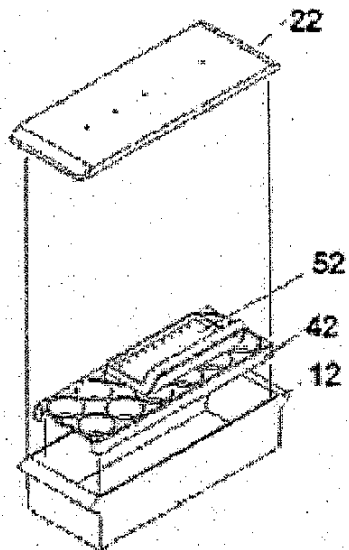


Image 2

Image 3

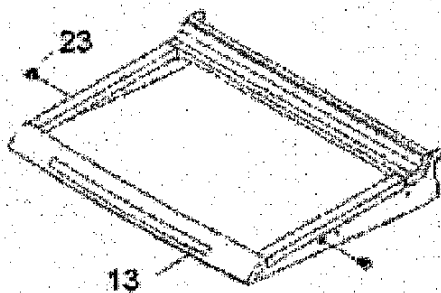


Image 4

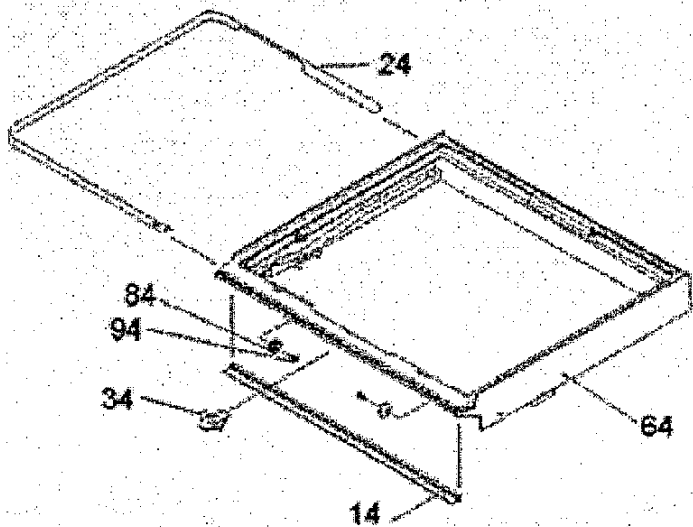
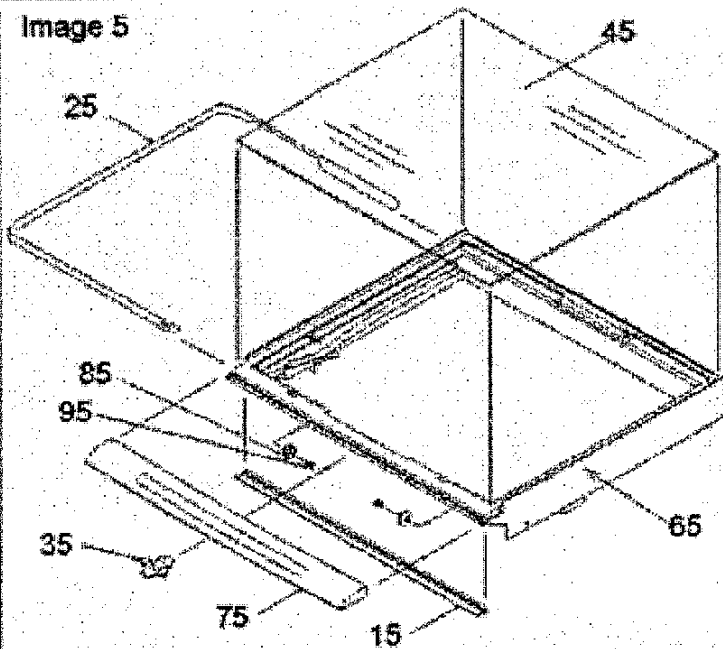


Image 5



VUE 30298

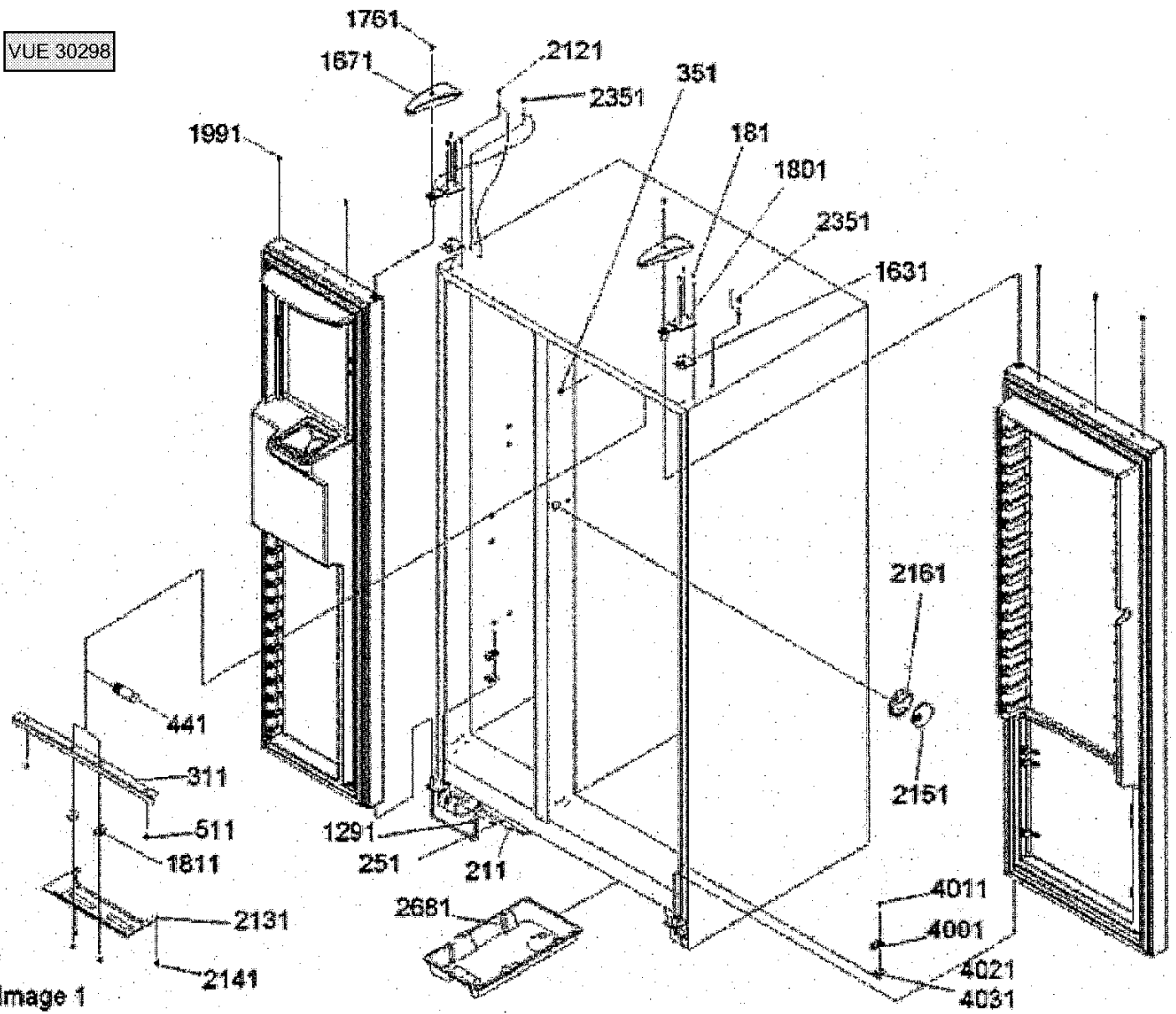


Image 1

Image 2

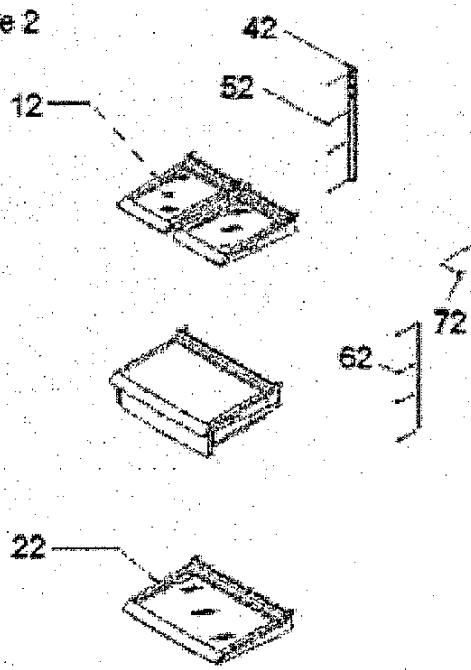
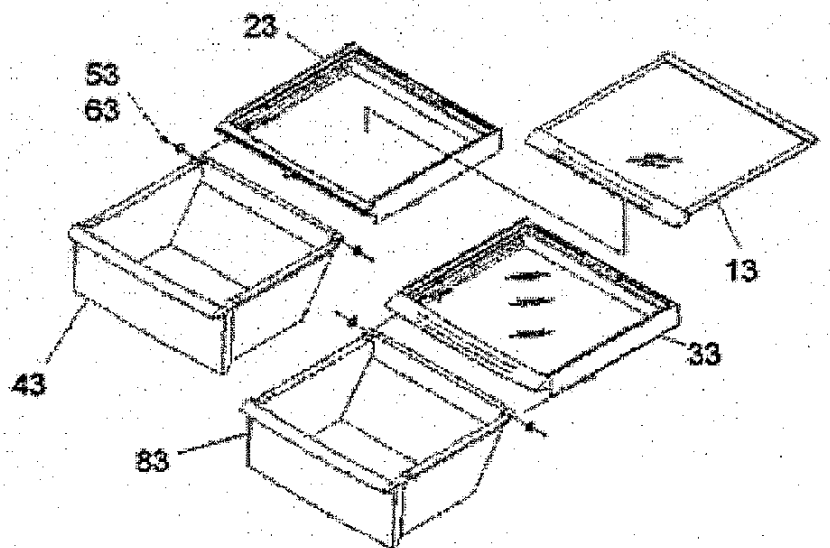


Image 3



VUE 30297

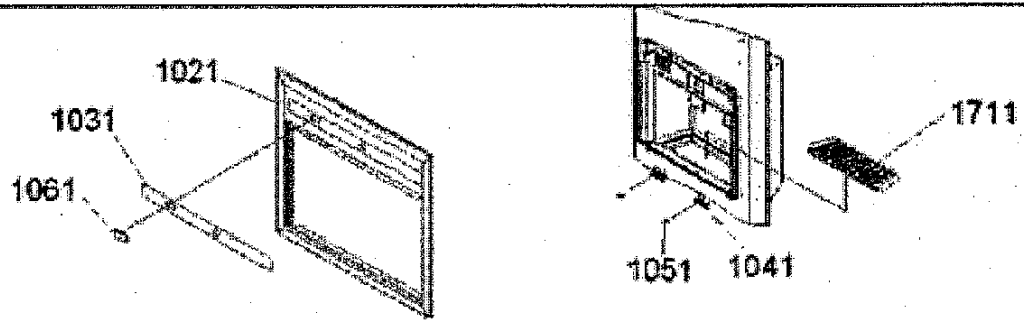


Image 1

Image 2

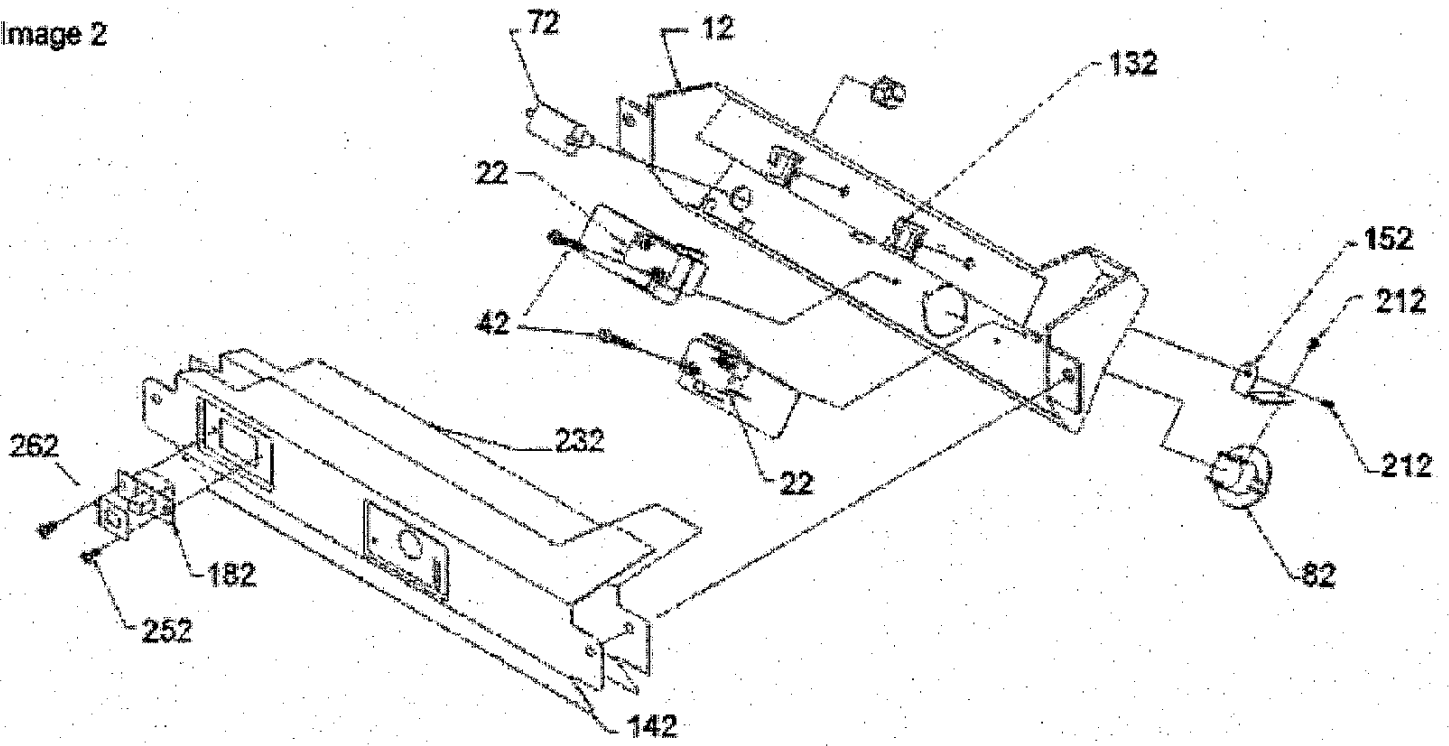
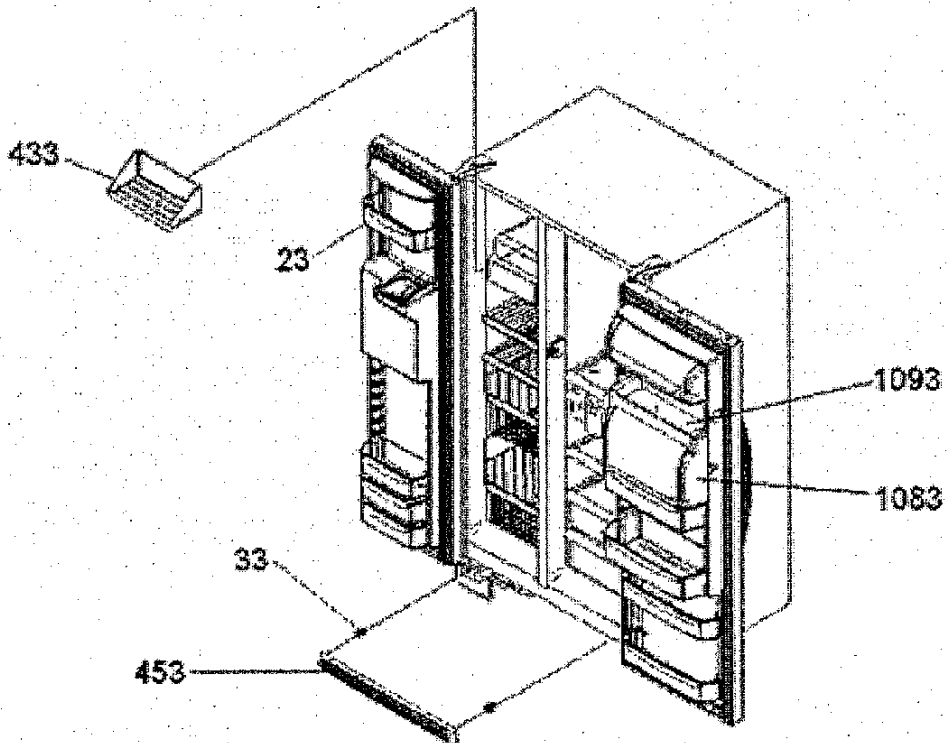


Image 3



VUE 30296

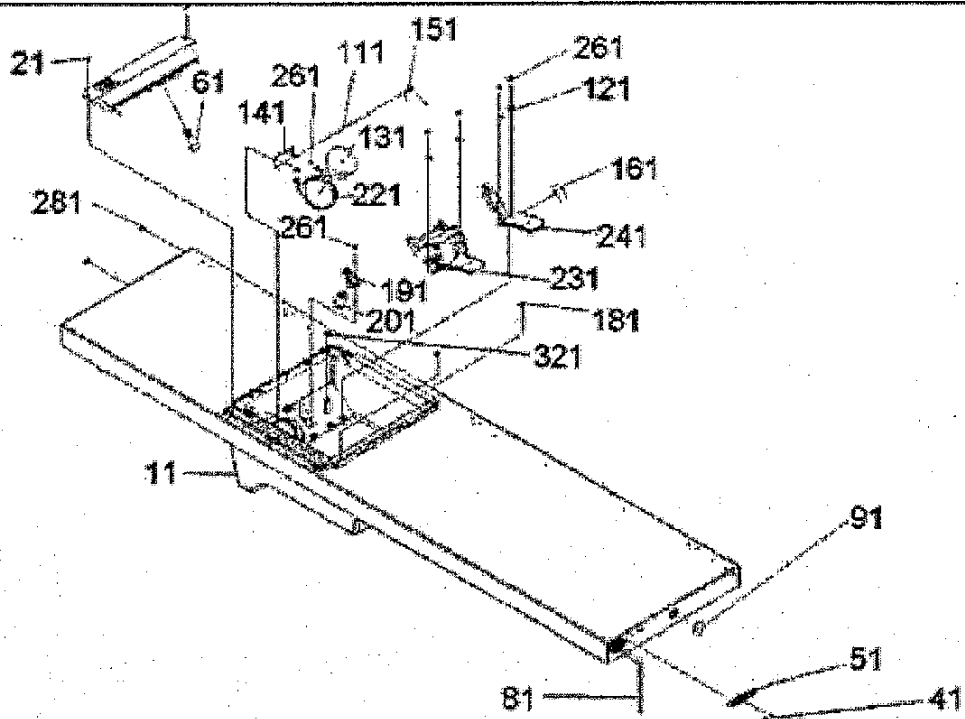


Image 1

Image 2

HEATER/HARNESS
NOT FIELD
REPLACEABLE

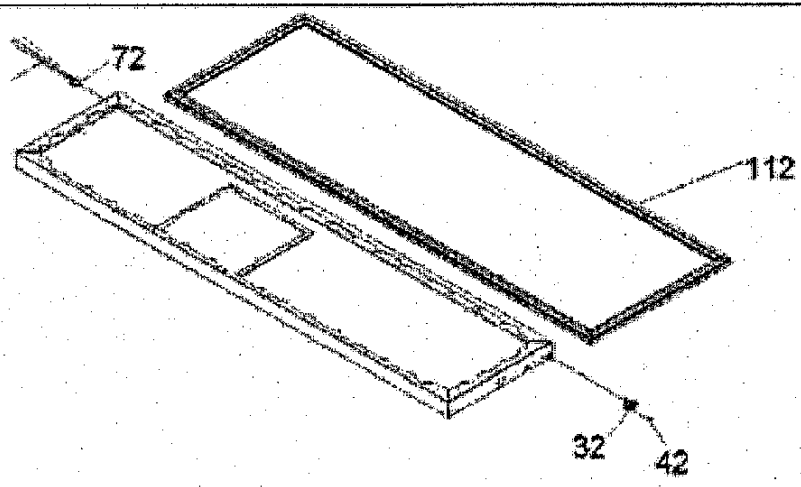


Image 3

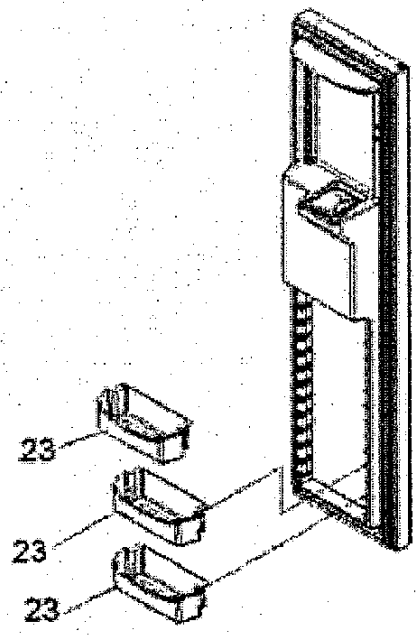


Image 1

VUE 30295

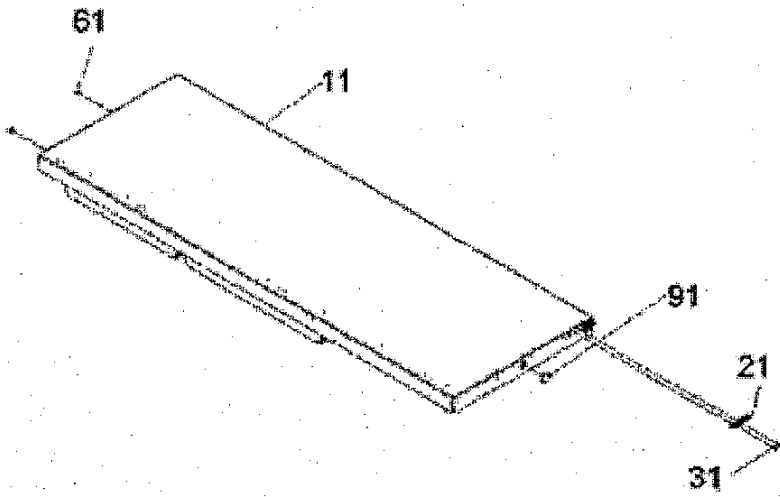


Image 2

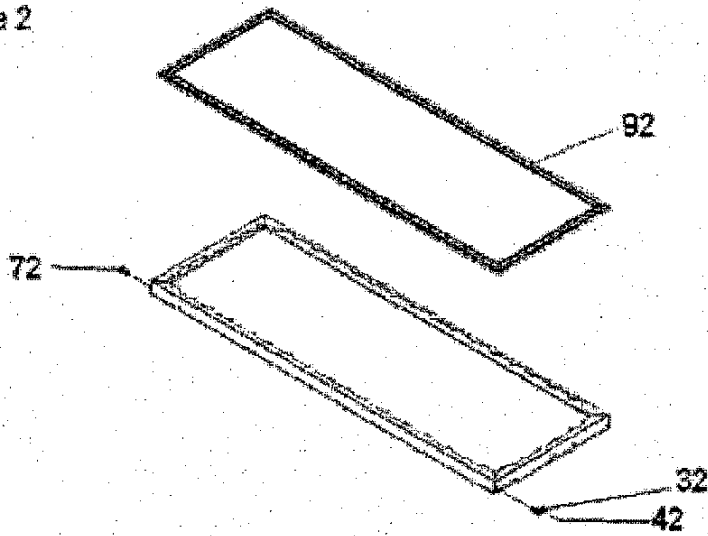


Image 3

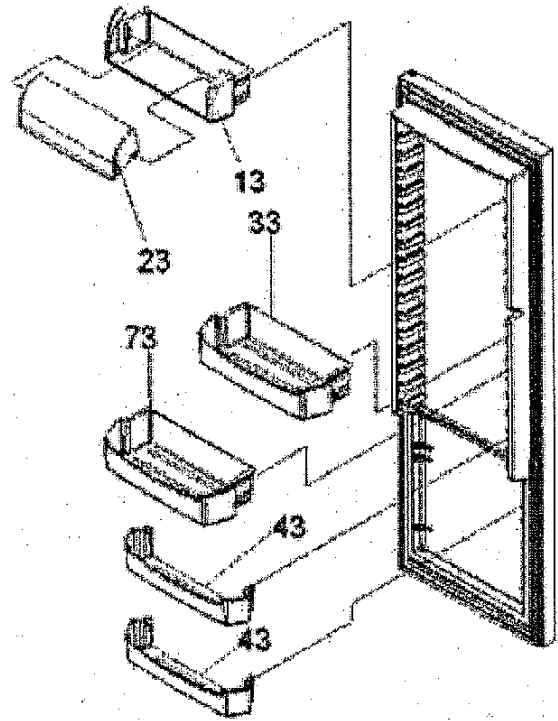


Image 5

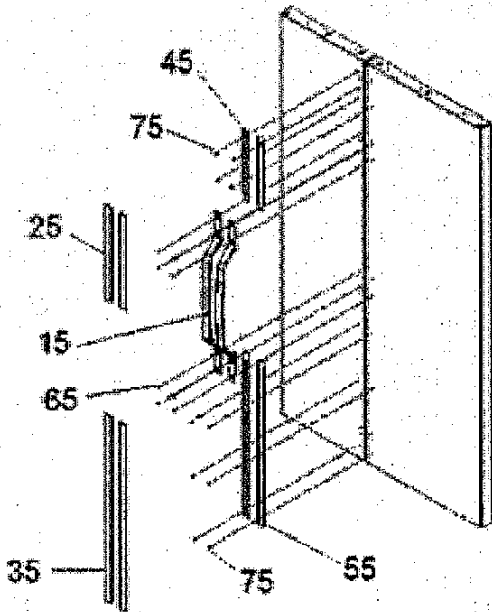
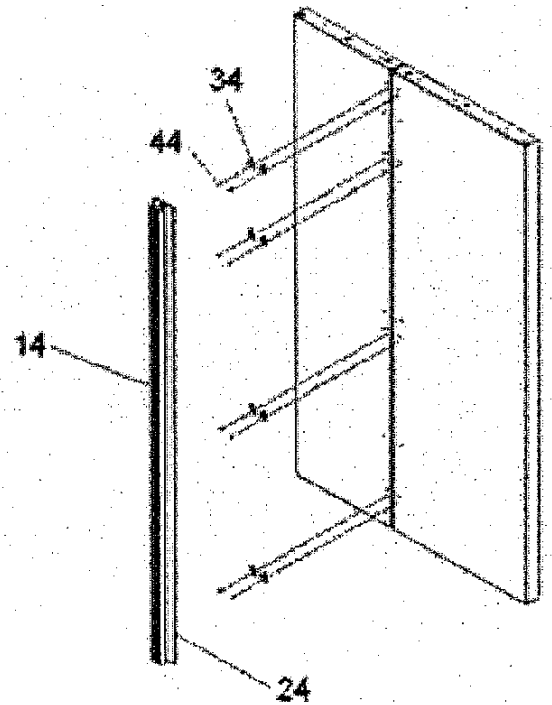


Image 4



VUE 30304

