

typ modelu:

MCA16

Kod handlowy:

39806

Informacje Główne

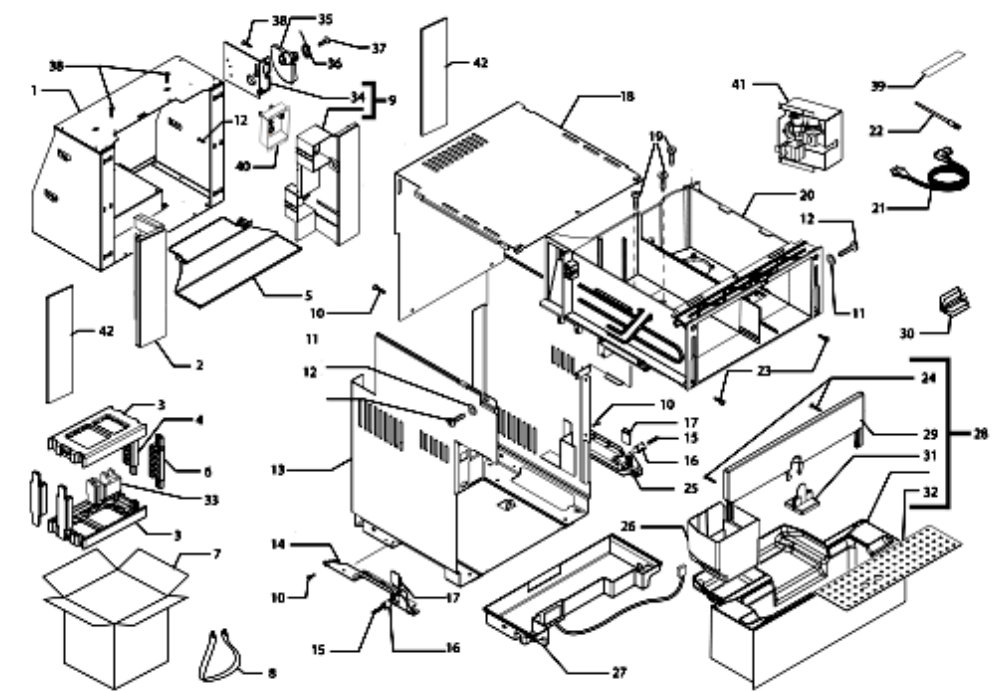
Przewodnik Dokumentacji Technicznej

Możesz tutaj odnaleźć podstawowe informacje ułatwiające korzystanie z dokumentacji technicznej

1. Modele tej samej gamy posiadają wspólne rysunki, które przedstawiają najbogatszy zestaw części; generalnie wybrany model niekoniecznie posiadać będzie w spisie części wszystkie pozycje przedstawione na rysunku
 2. Niektóre części nie mogą być przedstawione bezpośrednio na rysunku (instrukcje użytkownika, zestawy montażowe itd.). Można je odnaleźć w liście części pod pozycją gdzie są zainstalowane lub pod pozycją 09
 3. W prawym górnym rogu każdego rysunku widnieje numer seryjny wskazujący początek produkcji danej gamy urządzeń. Niektóre modele mogą posiadać więcej niż jeden rysunek dla podanej kategorii, każdy inny dla różnych numerów seryjnych.
 4. Rysunki złożeniowe mogą wymagać dalszych uaktualnień po ich publikacji. Nowe części zostaną dodane do odpowiednich oznaczeń numerycznych rysunku. Oznaczenie kodowe modyfikacji rysunku zawarte jest w ostatnich 4 cyfrach numeru seryjnego przedstawionego w prawym górnym rogu rysunku.
 5. Lista części odnosząca się do danego rysunku zawiera spis części tylko dla wybranego modelu; dostępne są dodatkowe informacje dla każdej części.
- REF. Numer referencyjny do tabeli; SUBSTITUT: lista części które zastępują dany kod zachowując takie same charakterystyki funkcjonalne
- KOD HANDLOWY: lista wariantów modelu (pokazana w nazwie modelu) gdzie dana część jest zastosowana; UWAGA: kod informacji potrzebny do interwencji, prześledź zmiany aby poprawnie ustalić kod części
6. Niektóre notatki techniczne są ogólne dla danej sekcji, zatem nie mogą być związane tylko konkretną częścią. Aby poruszać się w dokumentacjach modelu sprawnie, pomocne jest czytanie notatek i monitorowanie uaktualnień dokumentacji.
 7. Okładka dokumentacji technicznej przedstawia model sprzętu oraz jego kod handlowy.

E74091-17

rysunki



E74091-17

Lista części

Ref.	kod	Od S/N	Do S/N	Zamiennik	opis	Notatka	kod
001	C00144174				chassis##		
002	C00144175				left side trim		
003	C00144177				insert upper/lower		
004	C00144178				insert side/rear		
005	C00144179				water recover tank lid		
006	C00144180				insert side/front		
009	C00144181				right side trim		
010	C00144182				śruba torx 2,9x6,5		
011	C00144183				podkładka d11 x 0.8		
012	C00144184				śruba torx k 35x16		
013	C00263789				chassis		
014	C00144186				left handle		
015	C00144187				bolt spring water recover tank		
016	C00144188				fixing pin for water recover tank		
017	C00144190				cover fixing pin for water recover		
018	C00145386				back panel coffe machine		
019	C00144192				śruba torx m 5x20		
020	C00145387				chest support		
021	C00144195				power line 3x1 ho5rr l=1500		
023	C00144197				śruba k 30x12		
024	C00144198				śruba k 30x8		
025	C00144199				right handle		
026	C00144200				coffee box		
027	C00144202				inner recover water tank assembly		
028	C00145388		11121...	1 x C00263791	recover water tank ariston		
028	C00289134	11122...			recover water tank ariston		
029	C00144204				recover water tank insert		
031	C00263801				water limit float (for tank recover)		
032	C00263803				grid for water recover tank		
033	C00144208				box middle insert		
034	C00144209				lever support		
035	C00144210				pivot pin		
036	C00144211				spring for pivot pin support		
037	C00144212				śruba k 30x8 wn 1452		
038	C00144213				śruba tcb torx tx10 3,5x8,5		

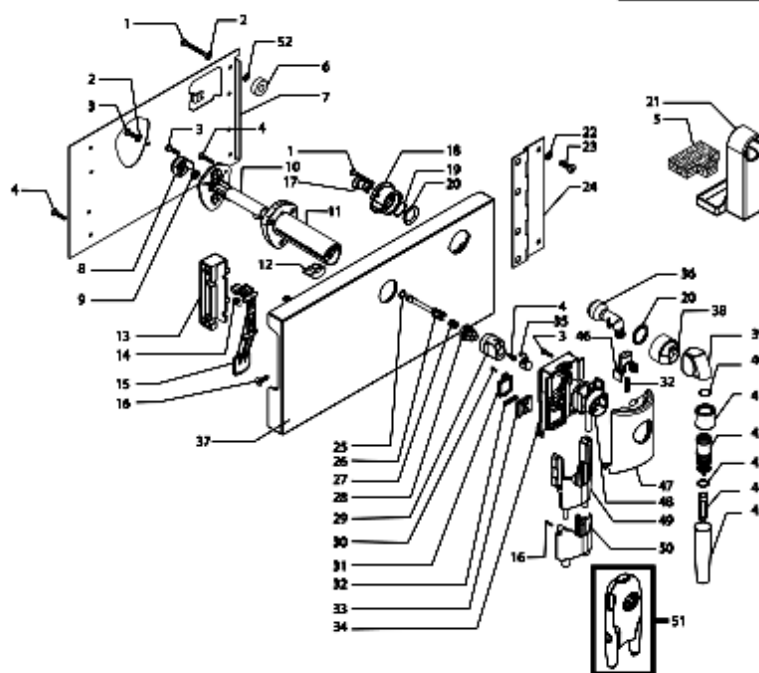
E74091-17

Lista części

Ref.	kod	Od S/N	Do S/N	Zamiennik	opis	Notatka	kod
039	C00263804				test twardości wody		
042	C00283196				plyta boczn. lateral panel p0055		

E74091-21

rysunki



E74091-21

Lista części

Ref.	kod	Od S/N	Do S/N	Zamiennik	opis	Notatka	kod
001	C00144215				śruba torx m 3x20 iso 14580		
002	C00144217				washer uni 8842 inox		
003	C00288905				śruba tcb m 3x8 din 7500		
004	C00144212				śruba k 30x8 wn 1452		
005	C00144271				distributor coffee sponge		
006	C00144219				tuleja		
007	C00144220				inner plate		
008	C00144221				closing tap coffee hose		
009	C00144222				hose gasket		
010	C00144223				coffee hose		
011	C00144224				coffee distributor support		
012	C00144225				coffee distributor sealing		
013	C00144228				door push-button support		
014	C00144230				door push-button spring		
015	C00144231				door push-button		
016	C00144198				śruba k 30x8		
017	C00144234				insert stop hose teflon		
018	C00144236				sleeve support		
019	C00144239				or 117		
020	C00144240				seal		
021	C00144272				distributor coffee support sponge		
022	C00263816				washer uni 8842 a4 inox		
023	C00144241				śruba torx m 4x10 testa d=8x1,5		
024	C00144242				door hinge		
025	C00144243				or 0040-20		
026	C00144244				cream regulation rod		
027	C00144245				spring for cream regulation rod		
028	C00144246				support for cream regulation rod		
029	C00144247				knob for cream regulation		
030	C00144248				śruba torx m 2,5x5 din 7500		
031	C00144249				cover for delivery coffee insert		
032	C00144250				spring for coffee distributor		
033	C00144252				restraint insert coffee distributor		
034	C00144253				rear cover coffee distributor		
035	C00144254				knob for cream regulation		

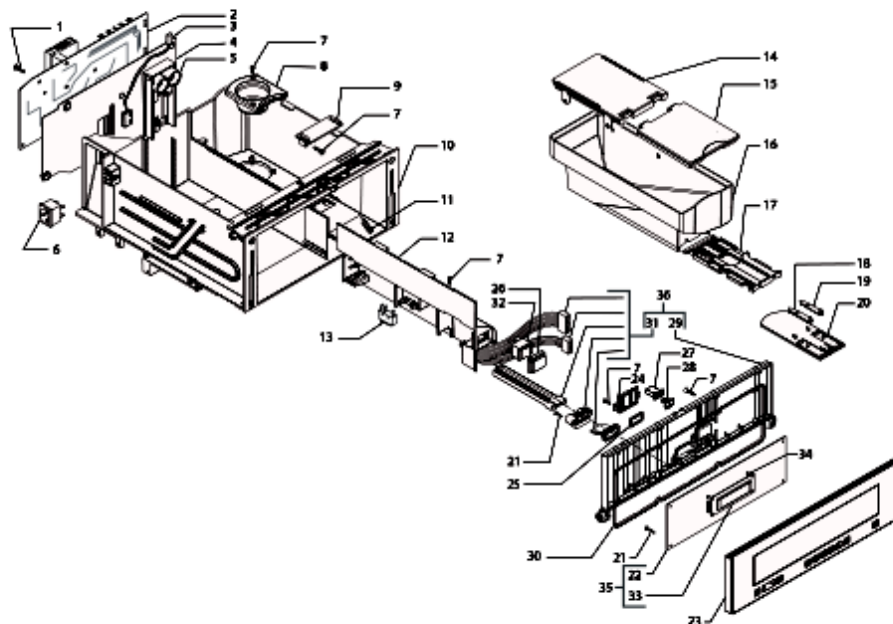
E74091-21

Lista części

Ref.	kod	Od S/N	Do S/N	Zamiennik	opis	Notatka	kod
036	C00144255				złącze		
037	C00144257				door		
038	C00144258				fixed sleeve for steam hose		
039	C00144259				mobile sleeve for steam hose		
040	C00144260				or metrico 0060-20		
041	C00144261				steam hose protection		
042	C00144262				superior duct		
043	C00144263				or 108		
044	C00288906				inner inferior duct		
045	C00144265				external cover for duct		
046	C00144266				distributor coffee pushbutton		
047	C00144267				distributor coffee front cover		
048	C00144268				distributor coffee inner mechanism		
049	C00144269				mobile part inner mechanism		
050	C00144270				mobile part inner mechanism		
051	C00270226				distributor coffee		
052	C00144218				washer uni 8842 a6		

E74091-31

rysunki



E74091-31

Lista części

Ref.	kod	Od S/N	Do S/N	Zamiennik	opis	Notatka	kod
001	C00144212				śruba k 30x8 wn 1452		
002	C00263842		71129...		karta zasilania coffe maker 230v		
002	C00264320	71130...			karta zasilania coffe maker 230v		
003	C00144274				fast connection 2 poles		
004	C00144275				protection board		
005	C00144276				water valve support		
006	C00144277				tank terminal block		
007	C00144198				śruba k 30x8		
008	C00144278				coffee dispenser body		
009	C00144279				coffee box lock insert		
010	C00145387				chest support		
011	C00144280				plug for flat-cable cover		
012	C00144281				flat-cable cover		
013	C00144282				microswitch		
014	C00144283				rear cover for coffee container		
015	C00144284				front cover for coffee container		
016	C00144285				coffee container		
017	C00144286				levers support		
018	C00144288				left lever coffee container		
019	C00144289				right lever coffee container		
020	C00144290				lock support coffee container		
021	C00144291				śruba torx k 25x8 wn 1452		
022	C00288877	90205...			karta wyświetl.		
023	C00144293	11122...		1 x C00287322	control panel##		
023	C00287322	11122...			control panel##		
024	C00144294				programmer cover		
025	C00144295				programmer cover seal		
026	C00144296		71128...		microswitches cover	n8111100	
027	C00263862				push-push button		
028	C00144298				dashboard lock support		
029	C00263867	61020...			dashboard support		
030	C00144301				dashboard support seal		
031	C00145393	61020...			2 flat-cable assembly+seal		
032	C00144303		71128...		bi-polar microswitch	n8111100	
032	C00289188	71129...			assembly cable + switch p0055	n8111100	

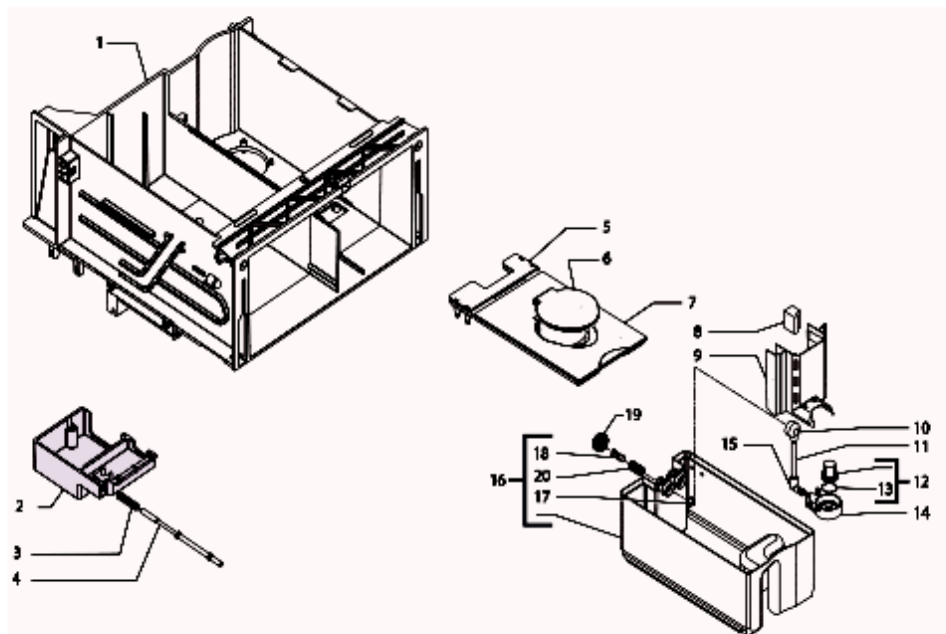
E74091-31

Lista części

Ref.	kod	Od S/N	Do S/N	Zamiennik	opis	Notatka	kod
033	C00288908	90205...			wyświetlacz 20x2 lcd p0055		
034	C00289130				rozpórka richco mspm-2-01		
035	C00144292		90204...		karta wyświetl.		
036	C00263905		61019...		front panel kit mca16		

E74091-41

rysunki



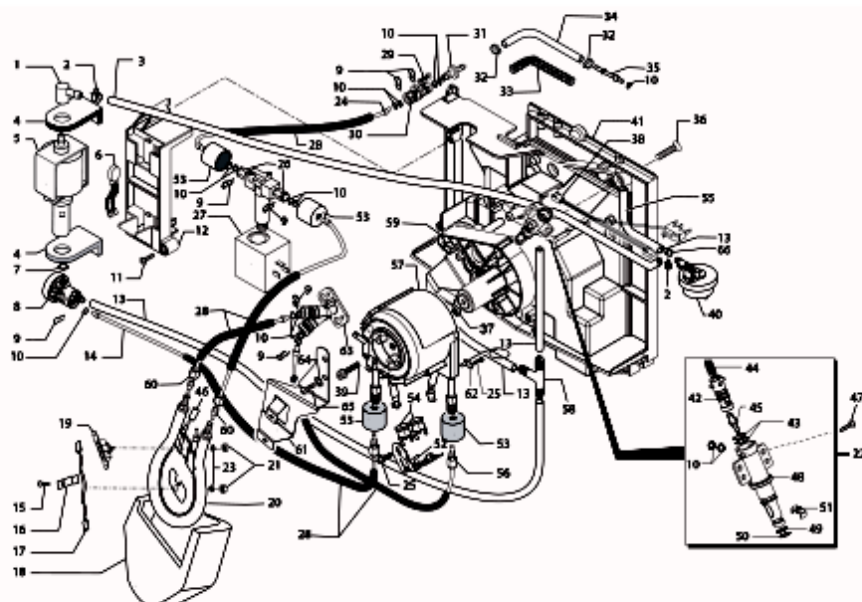
E74091-41

Lista części

Ref.	kod	Od S/N	Do S/N	Zamiennik	opis	Notatka	kod
001	C00145387				chest support		
002	C00145396				turbine support		
003	C00144306				microswitch pin spring		
004	C00145397				rotation dashboard pin		
005	C00144312				rear cover for water container		
006	C00144317				cover for water container		
007	C00144318				front cover for water container		
008	C00144322				float - overflow unit with magnet		
009	C00144324				float - overflow unit support		
010	C00144325				water valve connection		
011	C00144344				teflon hose 5x7 l=60 mm		
012	C00144345				external filter ass.y water		
013	C00144346				or metric 0019-10		
014	C00144347				water filter support		
015	C00144348				connection for water filter support		
016	C00263869				water container		
017	C00144350				or metric 0060-30		
018	C00144351				container water piston		
019	C00144352				water valve seal		
020	C00144353				water container valve spring		

E74091-51

rysunki



E74091-51

Lista części

Ref.	kod	Od S/N	Do S/N	Zamiennik	opis	Notatka	kod
001	C00144355				pump inlet connection 90°		
002	C00144357				clip d=9,5mm		
003	C00144358			1 x C00144404	silicon hose 5x8 70sr		
004	C00144359				pump support eaton magic		
005	C00144360				pump ep5/s gw 230v-50hz		
006	C00144364				pump connector 2 poles		
007	C00144365				or 2031		
008	C00144366				security valve ass.y 16bar		
009	C00144367				clip d=4		
010	C00144368				or 2015 in silicon		
011	C00144184				śruba torx k 35x16		
012	C00144369				pump support		
013	C00144370				silicon hose 5x10 60 shore		
014	C00144371				connection nut+protection ass.y		
015	C00144372				screw tcb m4x8 uni 7687		
016	C00144373				thermofusible support		
017	C00144375				wire blue awg16 100 mm		
018	C00144376				heater element protection		
019	C00144377				thermostat 175°		
020	C00144378				resistenza bleckman 230v		
021	C00263815				nakrętka sześciokątna m4 uni		
022	C00272067				pin wraz kocioł		
024	C00144380				connection nut+protection ass.y		
025	C00144381				śruba tcb ph/tt 4x8 uni 8112		
026	C00263874				hose connection d=4 1/8		
027	C00145404				electrovalve 2 ways 24v 19w		
028	C00144384				black silicon hose 7,5x9,3		
029	C00144385				śruba torx k 35x12 wn 1423		
030	C00144386				black straight joint with support		
031	C00144387				brass straight joint for hose		
032	C00144388				fix clip hose		
033	C00144389				spring d=7,5		
034	C00144390				silicon hose		
035	C00144391				hose connection		
036	C00288867				śruba tcei 5x30		

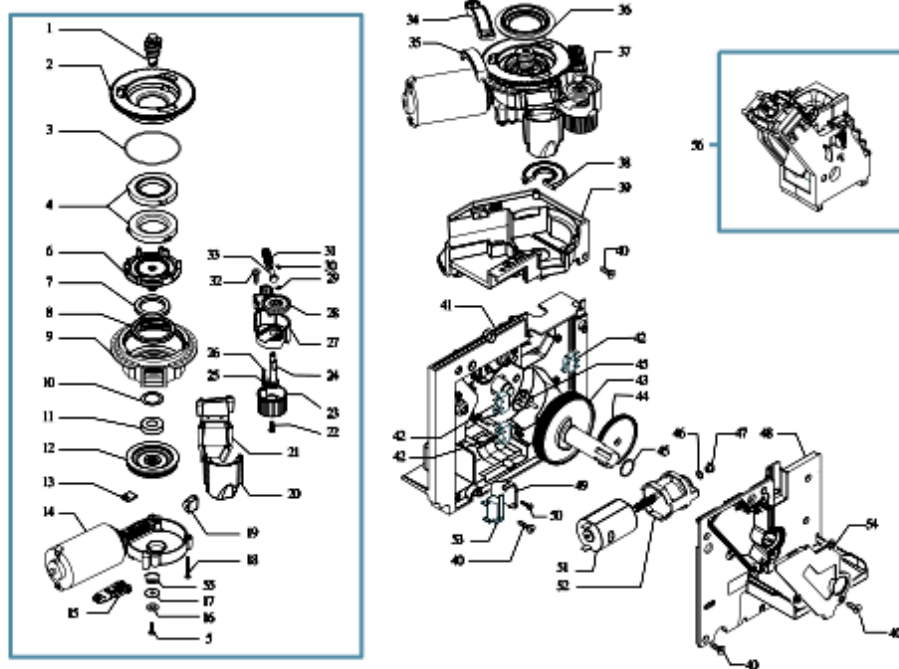
E74091-51

Lista części

Ref.	kod	Od S/N	Do S/N	Zamiennik	opis	Notatka	kod
037	C00144392				metalbloc m5x0,8 nut		
038	C00144393				wiring+micro		
039	C00144394				śruba 10.9 m5x20		
040	C00144395				turbine		
041	C00144396				fixing bracket + pin ass.y		
042	C00263875				plug for boiler pin		
043	C00144398				or metric 0060-20 silicon		
044	C00144399				pin spring		
045	C00263876				piston l=20,9		
046	C00263877				silicon hose 5x8		
047	C00144197				śruba k 30x12		
048	C00263878				boiler pin		
049	C00144406				or orm 0090-20		
050	C00144407				or orm 0050-20		
051	C00144408				boiler valve cursor		
052	C00144409				thermostat spring		
053	C00145402				spring protection		
054	C00144411				thermostat 175°		
055	C00270212				silicon hose 5x10 80 shore		
056	C00144412				connection nut+protection ass.y		
057	C00145405				boiler assembly (with heater) 230v		
058	C00144415				t connection d8		
059	C00144416				boiler support		
060	C00144417				connection nut+protection ass.y		
061	C00144419				boiler support bracket		
062	C00144420				temperature sensor - ntc		
063	C00144422				boiler pin connection		
064	C00263816				washer uni 8842 a4 inox		
065	C00144410				śruba tcb ph/sw 4x10 uni 8112		
066	C00270211				zacisk klucza do rur d11/11,6		
999	C00194634				boiler ass.y (no heater) 230v		

E74091-81

rysunki



E74091-81

E74091-81

Lista części

Ref.	kod	Od S/N	Do S/N	Zamiennik	opis	Notatka	kod
001	C00288910				screw		
002	C00144425				coffeemill upper support		
003	C00144427				or 0530-15		
004	C00144428				ceramic mill 48x28		
005	C00276944				śruba tcb m4x30 zn-b		
006	C00144430				ceramic mill lower support		
007	C00144432				bearing		
008	C00144433				ring de=45,4 di=39,4 h=4		
009	C00144434				upper part for milled coffee exit		
010	C00144435				balancement washer 21,8x14x0,25		
011	C00144436				radial bearing		
012	C00144437				moving gear grinder with magnet		
013	C00145392				power board		
014	C00263895				coffeemill assembly motor 230v		
015	C00144441				thermic sensor support		
016	C00263816				washer uni 8842 a4 inox		
017	C00144444				washer 14 x 1,5		
018	C00144456				śruba panelvit tcb 3,5x30 d.7505		
019	C00144457				screw plug		
020	C00144459				cover conveyor		
021	C00144460				conveyor assembly		
022	C00144372				screw tcb m4x8 uni 7687		
023	C00144461		11121...		millcoffee knob regulation		
023	C00289132	11122...			millcoffee knob regulation		
024	C00144462				regulation pin		
025	C00144463				spring		
026	C00144464				sphere d=3,2mm inox		
027	C00144465				lower support		
028	C00144466				conical entrance		
029	C00144467				ring d=3,2		
030	C00144468				ring 4 uni 7434		
031	C00144469				screw		
032	C00144184				śruba torx k 35x16		
033	C00144470				conical pin		
034	C00144471				motor flange		

E74091-81

Lista części

Ref.	kod	Od S/N	Do S/N	Zamiennik	opis	Notatka	kod
035	C00144472				motor support seal		
036	C00144473				millcoffee seal		
037	C00144481				motor millcoffee 230v		
038	C00144484				motor seal		
039	C00144485				motor support		
040	C00144385				śruba torx k 35x12 wn 1423		
041	C00144396				fixing bracket + pin ass.y		
042	C00144282				microswitch		
043	C00144487				mounting plate mechanism		
044	C00144488				mechanism		
045	C00144493				washer for reducer motor		
046	C00144489				washer bakeliz. d=5,5		
047	C00144490				bush for reducer motor		
048	C00144491				mounting plate cover		
049	C00263900				microswitch support		
050	C00144212				śruba k 30x8 wn 1452		
051	C00270219			1 x C00144494	reducer motor		
052	C00144495				antivibrating for motor		
053	C00144496				microswitch		
054	C00144497				boiler hollow cover		
055	C00270221				tuleja		
056	C00145408				smart coffee group		

Notatki

n8111100: INTEGRATION OF CABLE ASSEMBLY

FROM 29th NOVEMBER 2007 THESE CODES ARE NOT AVAILABLE:

C00144296 MICROSWITCHES COVER (REFERENCE 26)

C00144303 BI-POLAR MICROSWITCHES (REFERENCE 32)

THEY HAVE BEEN REPLACED BY FOLLOWING ASSEMBLY CODE:

C00289188 ASSEMBLY CABLE + MICROSWITCH (REFERENCE 32)