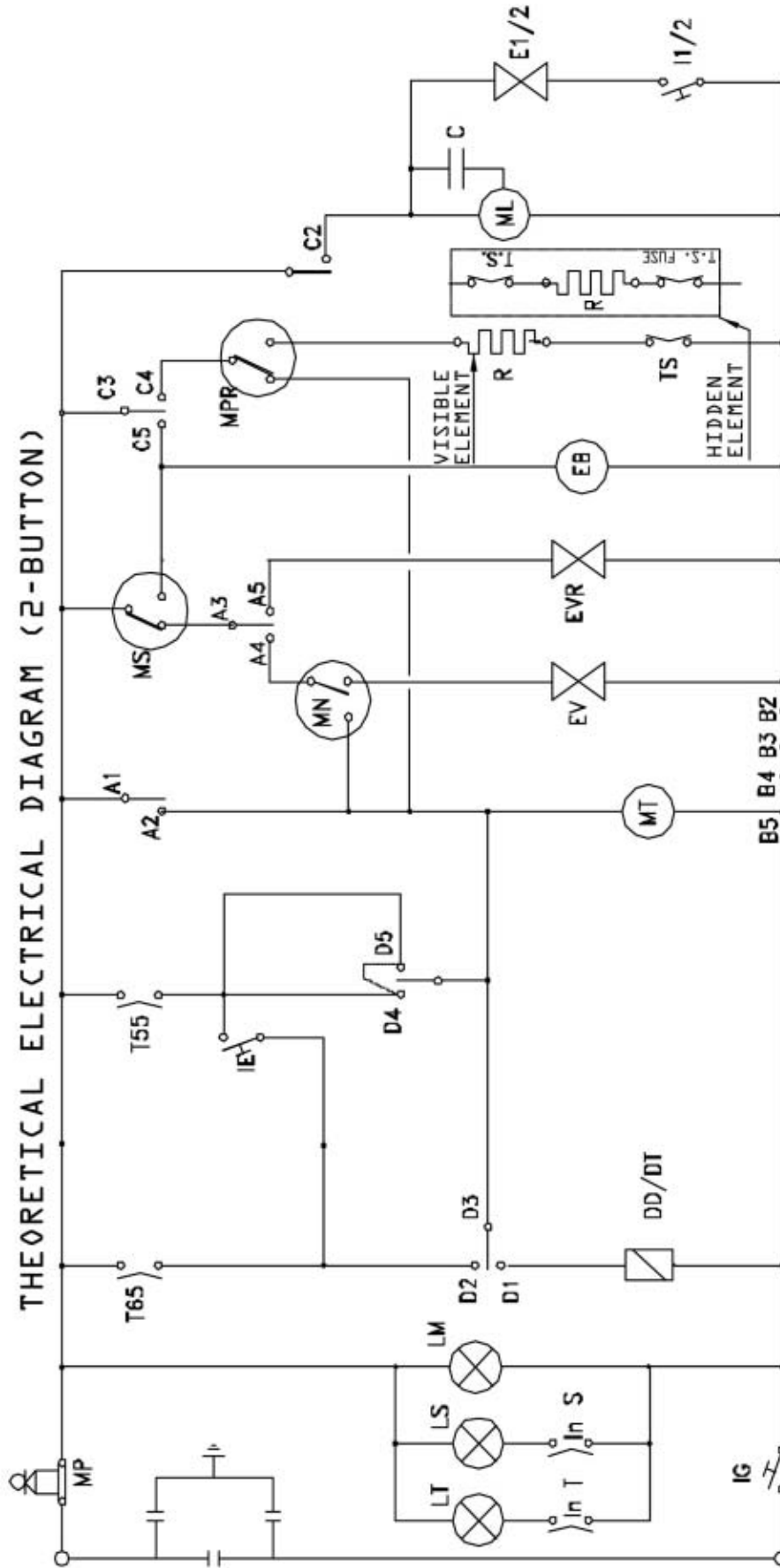


THEORETICAL ELECTRICAL DIAGRAM (2-BUTTON)



- C- CONDENSER
- MP- DOOR MICRO SWITCH
- T55- 55 THERMOSTAT
- T65- 65 THERMOSTAT
- IE- ECONOMY SWITCH
- MN- STANDARD MICRO SWITCH
- MS- SAFETY MICRO SWITCH
- MPR- PRESSURE MICRO SWITCH
- LT- RINSE AID REFILL LIGHT
- LS- SALT REFILL LIGHT
- LM- ON LIGHT
- Int- RINSE AID REFILL SENSOR
- InS- SALT REFILL SENSOR
- IG- MASTER SWITCH
- DD/DT- DETERG./RINSE AID DISPENSER
- MT- TIMER MOTOR
- EV- DRAIN VALVE
- EVR- REGENERATOR VALVE
- EB- DRAIN PUMP
- R- ELEMENT
- T.S.- SAFETY CYCLING THERMOSTAT
- TS- SAFETY THERMOSTAT
- ML- WASH MOTOR
- E1/2- LOAD ELECTROVALVE
- I1/2- LOAD SWITCH

This diagram is for 2-button models and for those including the half-load feature which is depicted by lines.