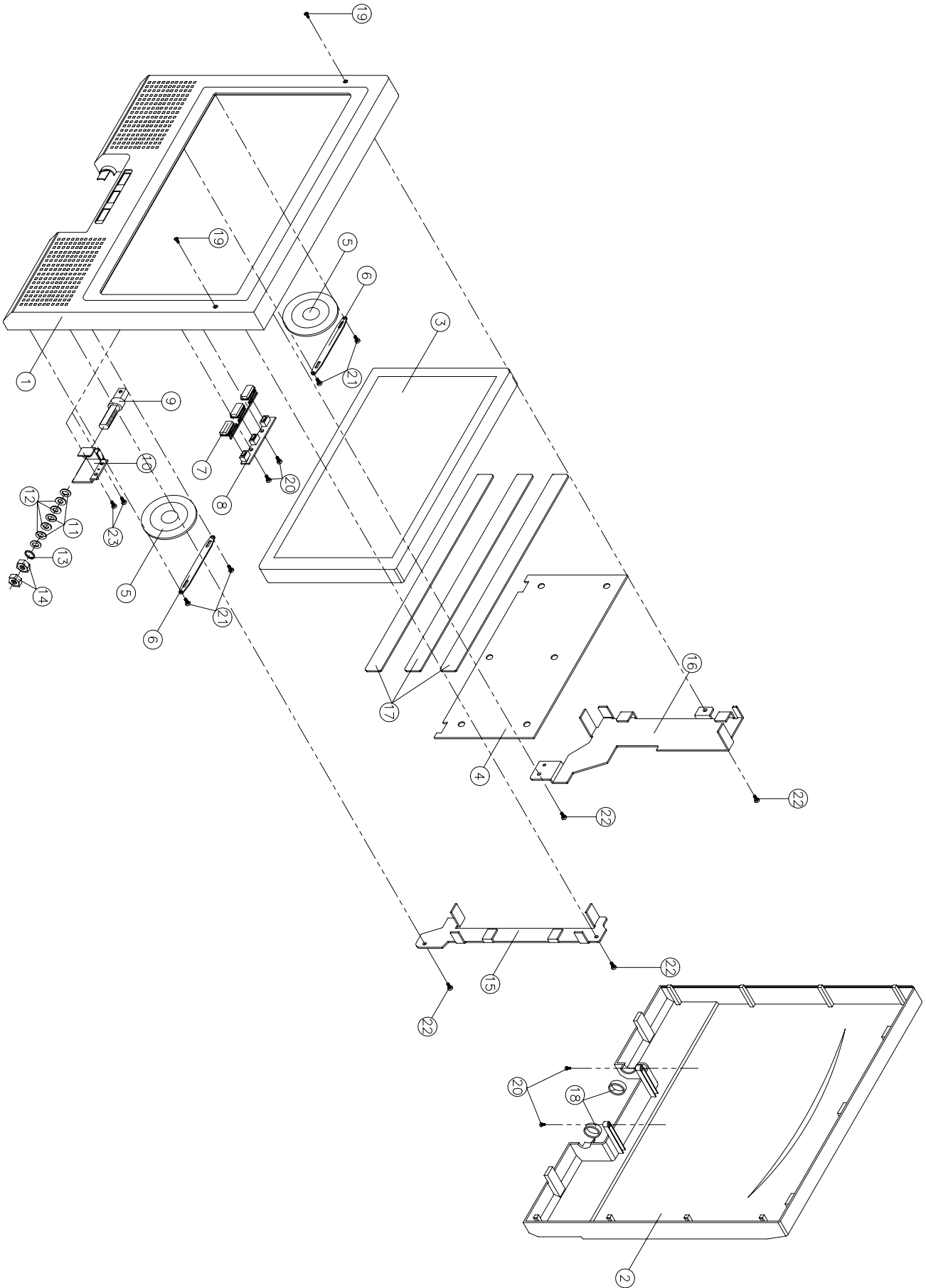


EXPLODED VIEW

PANEL



EXPLODED VIEW PARTS LIST

DISPLAY

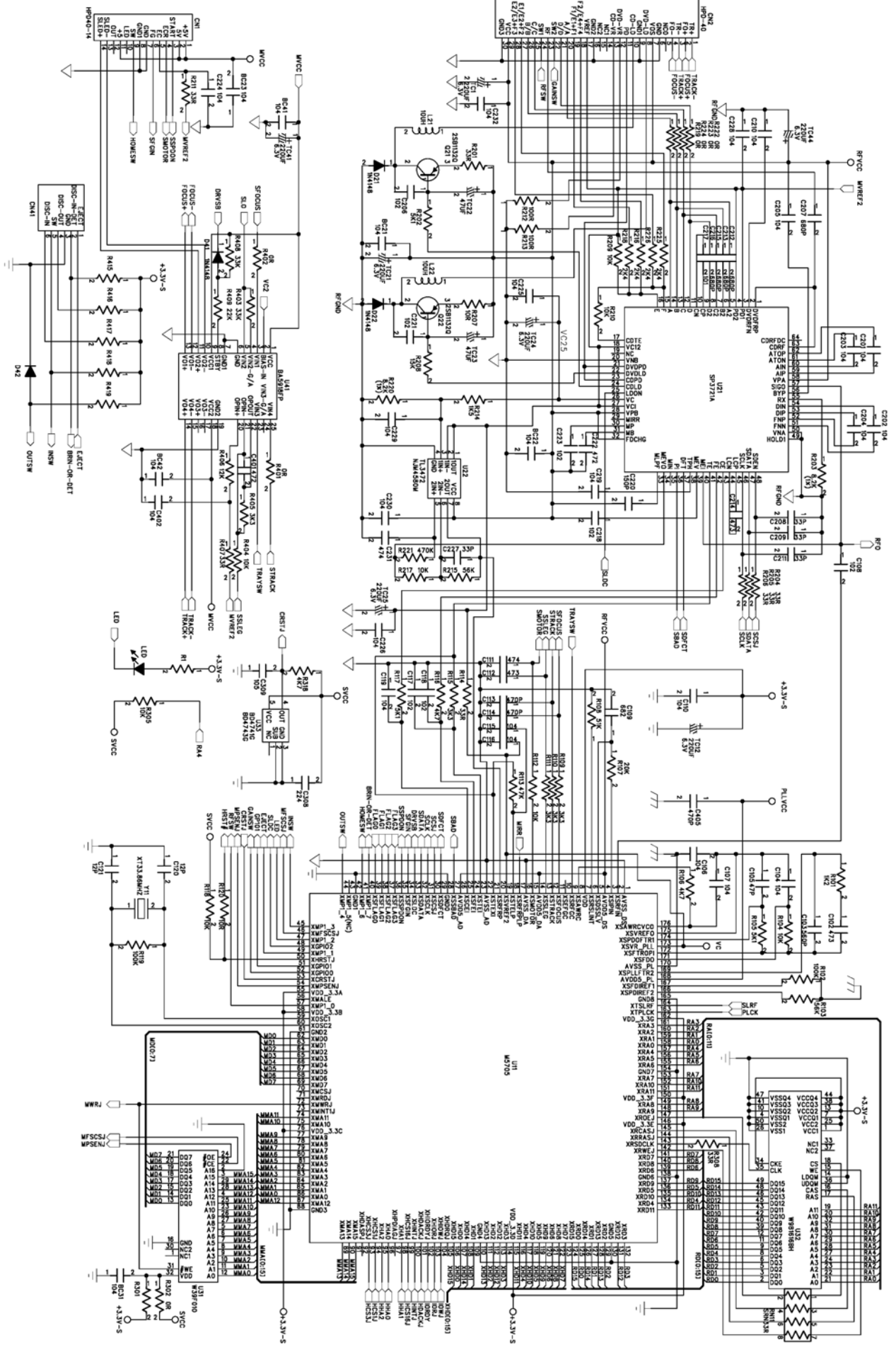
Ref. No.	Description	RS Part No.	Mfr's Part No.
1	TV Top (S. DG0201) W/TV BRAND		51-20524-81D
2	TV Bottom (S. DG0201)		51-20525-81D
3	TFT LCD PW70XS2 OR PW070XS4 (COG) PVI		27-01850-02
4	Display Board		11-10700-927
5	Speaker 0.5W 80HM Ø28MM		14-02808-00
6	Press Plate		39-20510-00
7	MENU/VOL (+/-) Knob (S. OPC0204)		52-20529-80D
8	DVD205 Key Board		11-02050-327
9	Shaft		34-20501-00
10	Monitor Hinge Bracket		39-20504-00
11	Washer		39-20507-00
12	Dishing Spring		36-20502-00
13	Spring Washer M5		35-50001-00
14	Hexagon Nut M5		35-40005-00
15	COG Left Bracket		39-20511-00
16	COG Right Bracket		39-20512-00
17	PC Sheet (160X10)		43-20504-00
18	Copper		34-20502-00
19	Screw Ø1.5 X 4 KH/ST		40-11504-22
20	Screw Ø2 X 4 PH/ST		40-02004-05
21	Screw Ø2 X 6 BA/ST		40-02006-21
22	Screw Ø2.6 X 4 PH/ST		40-02604-05
23	Screw Ø2 X 8 BH/ST Black		40-12008-01

EXPLODED VIEW PARTS LIST

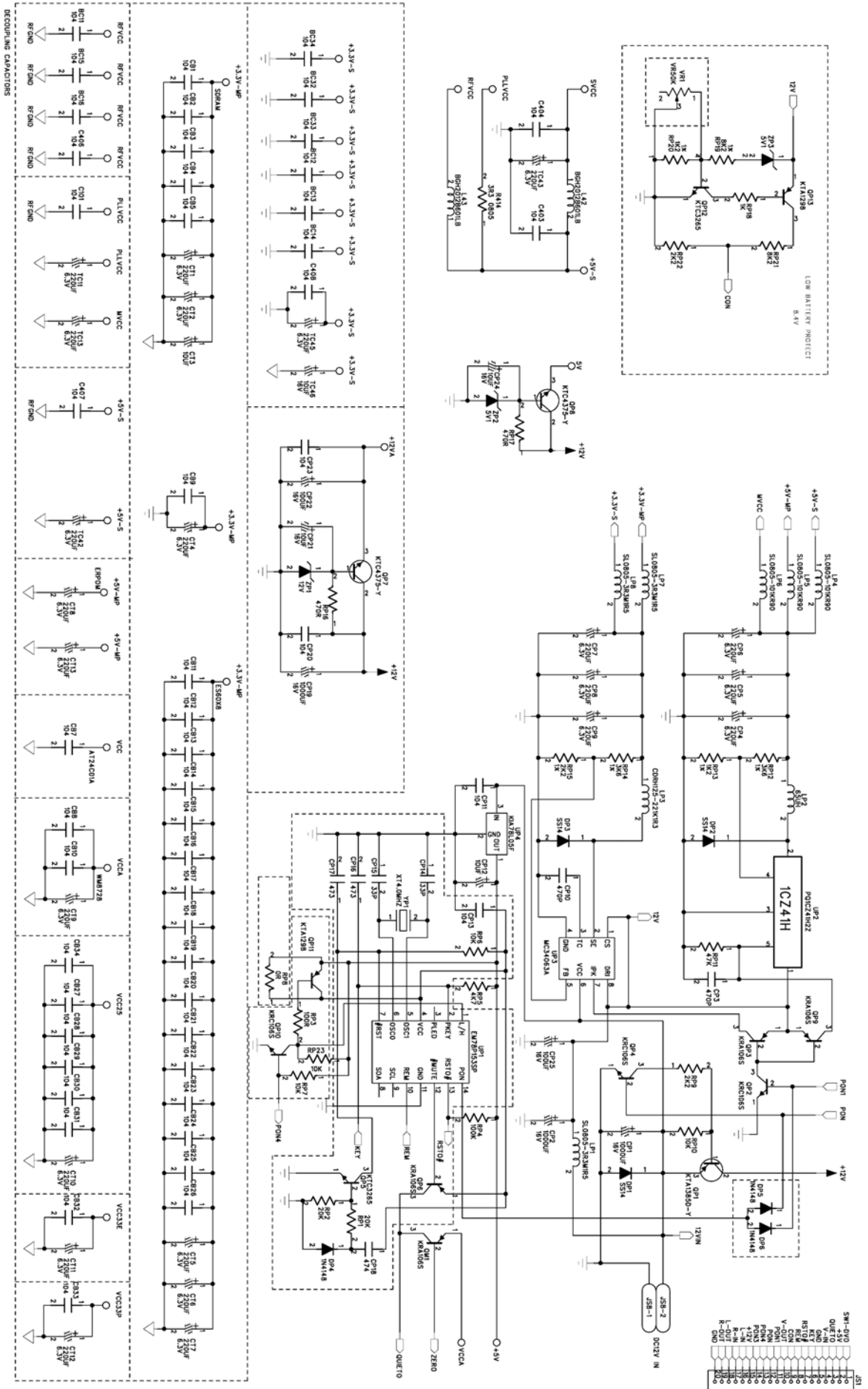
UNIT

Ref. No.	Description	RS Part No.	Mfr's Part No.
1	Display		
2	DVD Top (S. DG0201)		51-20550-81D
3	DVD Core (S. DG0201)		51-20551-81D
4	DVD Bottom (S. OPC DG0201)		51-20528-80D
5	DVD Main Board		11-02050-007
6	DVD MECH DISCMAN (HPD-40)		94-17910-00
7	DVD Key Board		11-02051-337
8	TV Main Board		11-02050-137
9	TV TUNER TDQ-6B3 (PAL B/G)		29-00205-01
10	Monitor Top (S. DG0204) 7" W/TV		51-20522-81D
11	Monitor Bottom (S. DG0204) W/O Brand		51-20523-80D
12	TV Screw M4X25		34-20508-00
13	Antenna JF-60121 (01-003/B)		23-00185-00
14	Mode/CH (+/-) Knob (S. OPC DG0201)		52-50530-80D
15	TV Key Board		11-02050-327
16	TV Hinge Bracket		39-20505-00
17	Lens (S. OPC0000) W/O Brand		43-20502-01S
18	Enter Knob (Up/Down/L/R) (S. OPC1202)		52-20552-80S
19	Enter Knob (S. OPC1202)		52-20553-80S
20	Next/Stop/Play Knob (S. OPC0000)		52-20555-01S
21	PWR/Setup/PREV Knob (S. OPC0000)		52-20554-01R
22	Open Knob (S. OPC DG0201)		52-20536-80D
23	RE Knob Spring		36-11852-00
24	Ø0.8MM Spring (DVD)		36-20501-00
25	Nut		34-20503-00
26	Enter Knob Adaptor (I)		52-20557-00
27	Enter Knob Adaptor (II)		52-20558-00
28	ASS'Y Knob Adaptor		52-20556-00
29	Lens (DVD205) Grey		43-20501-02
30	Damper Bracket		52-20539-00
31	Screw Ø1.5X4 KH/ST		40-11504-22
32	Screw Ø2X4 BH/ST Black		40-12004-21
33	Screw Ø2X4 PH/ST		40-02004-05
34	Screw Ø2X8 KH/ST/E-CR		40-12008-12
35	Screw Ø2X8 BH/ST/E-CR		40-12008-11
36	Screw Ø2X8 BH/ST Black		40-12008-01
37	Screw Ø2.6X6 PH/ST		40-02606-05

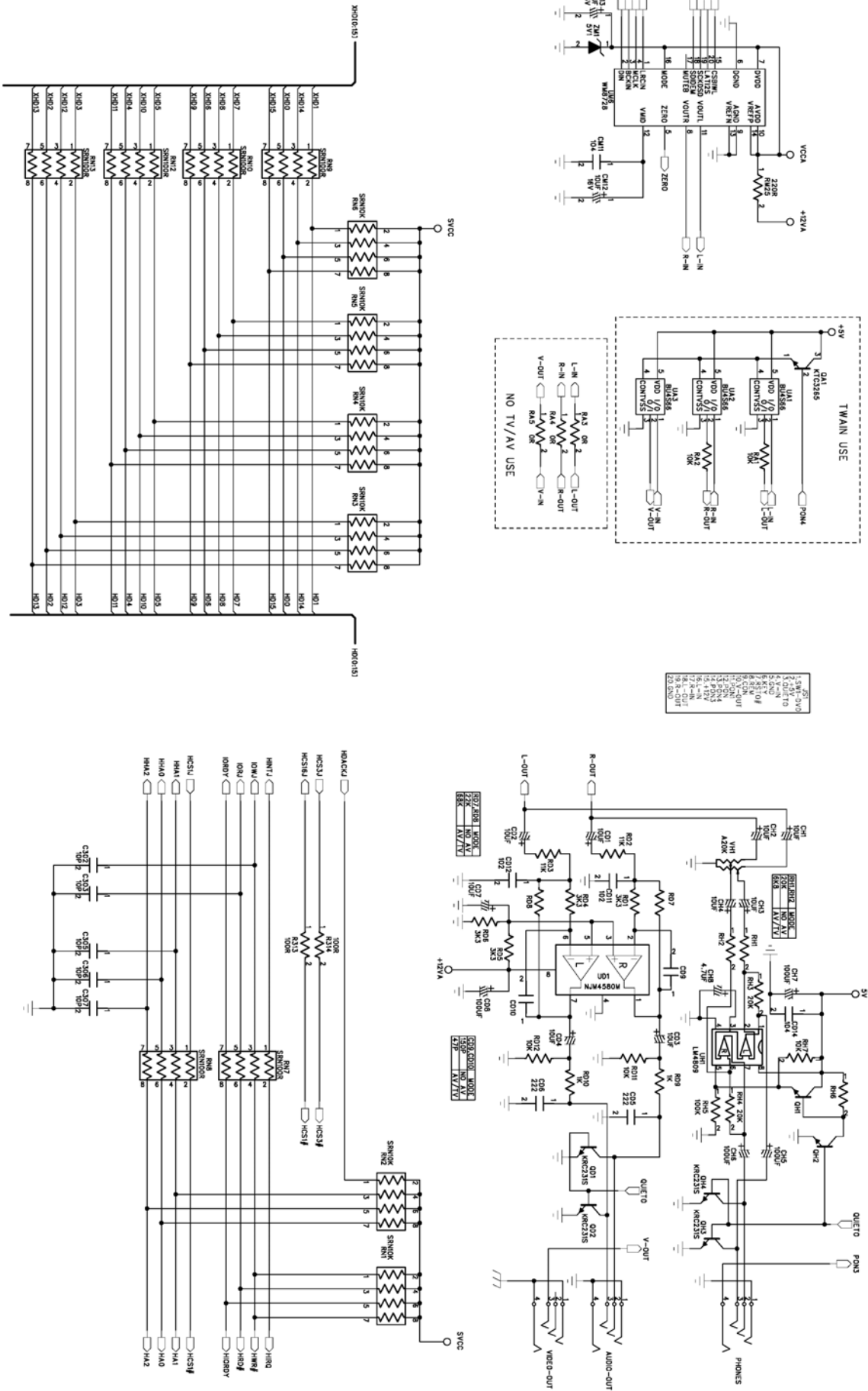
SCHEMATIC DIAGRAM (MAINBOARD) (SERVO)



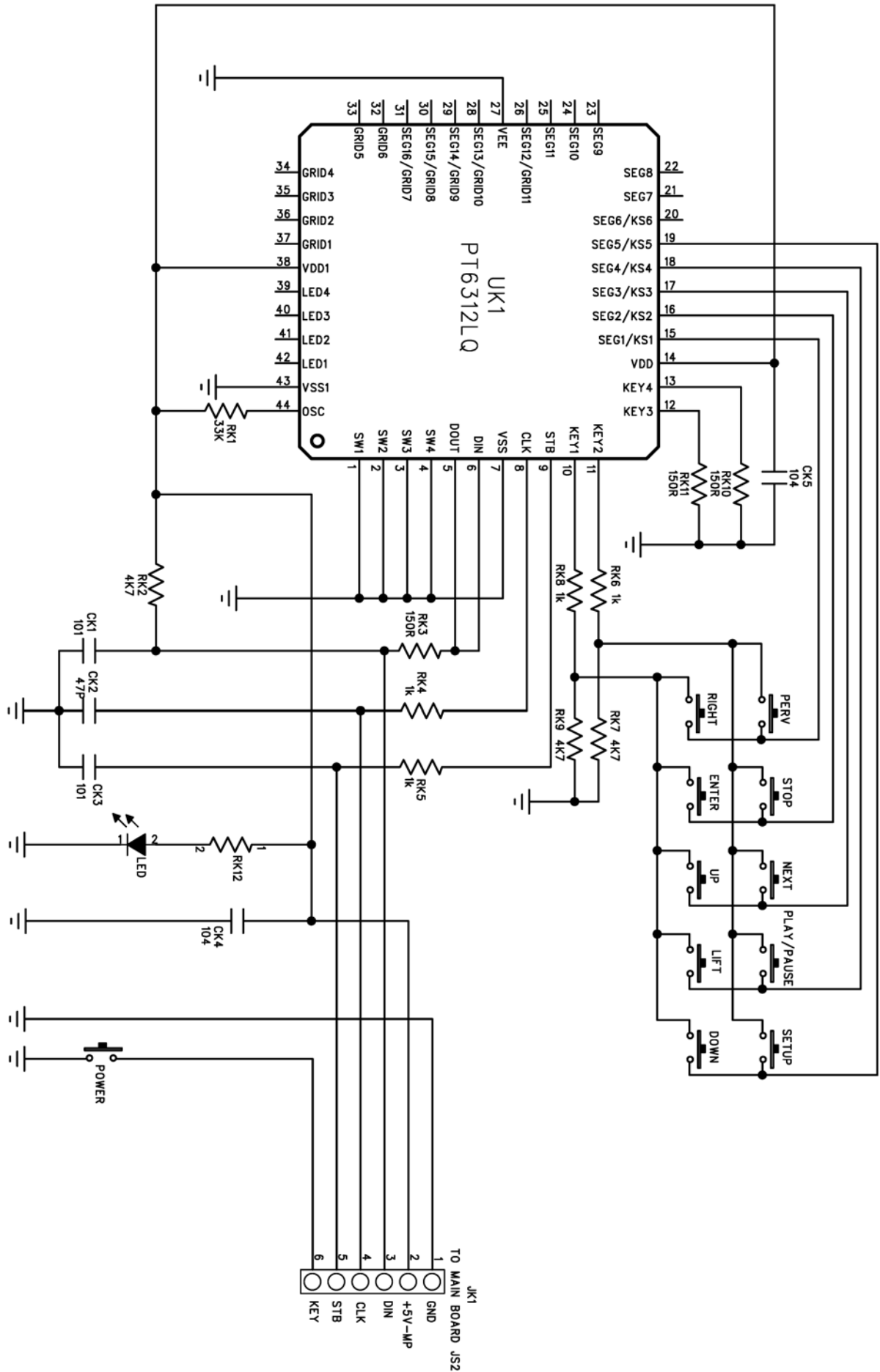
SCHEMATIC DIAGRAM (MAIN BOARD) (POWER)



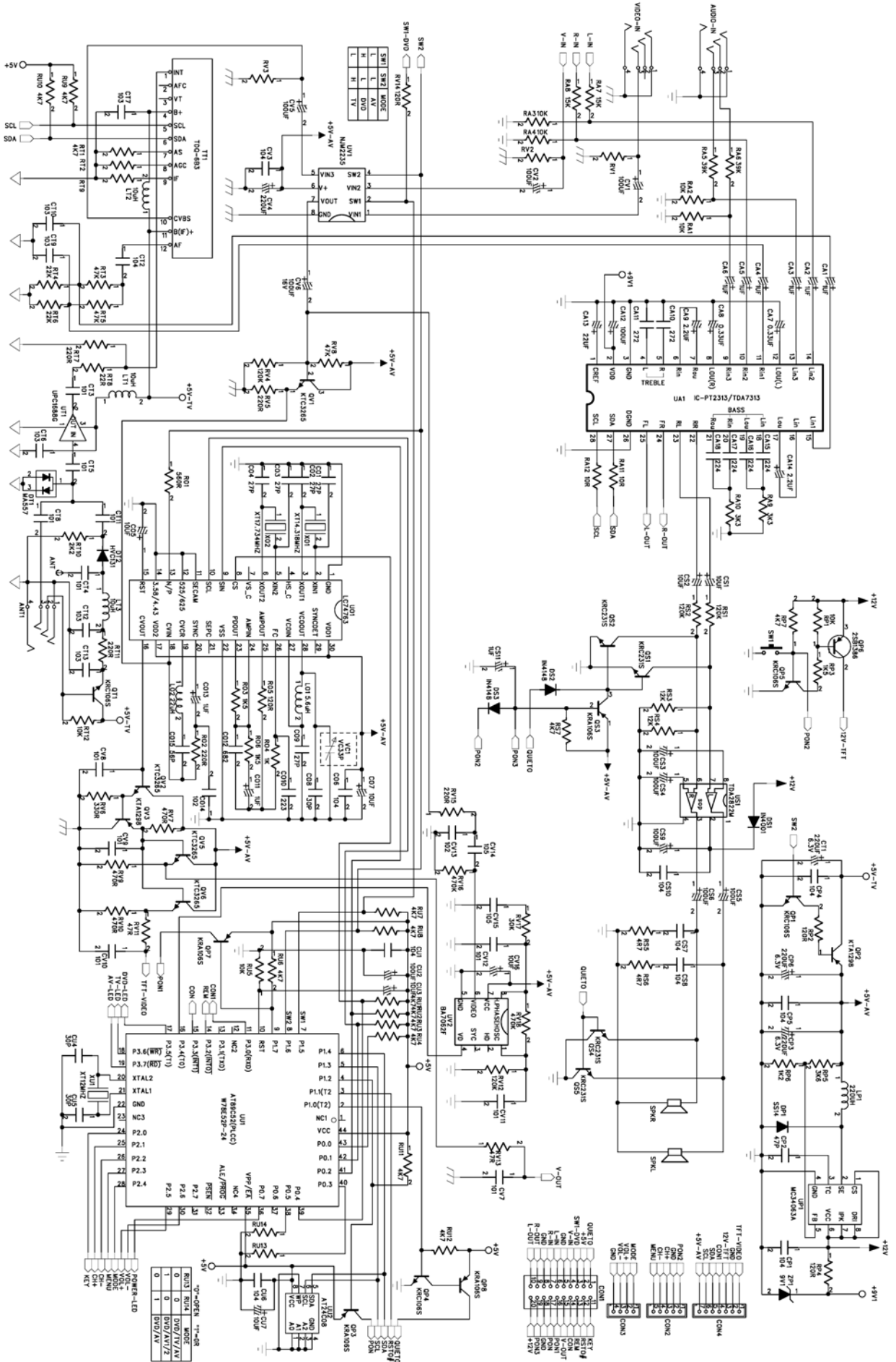
SCHEMATIC DIAGRAM (MAIN BOARD) (I/O)



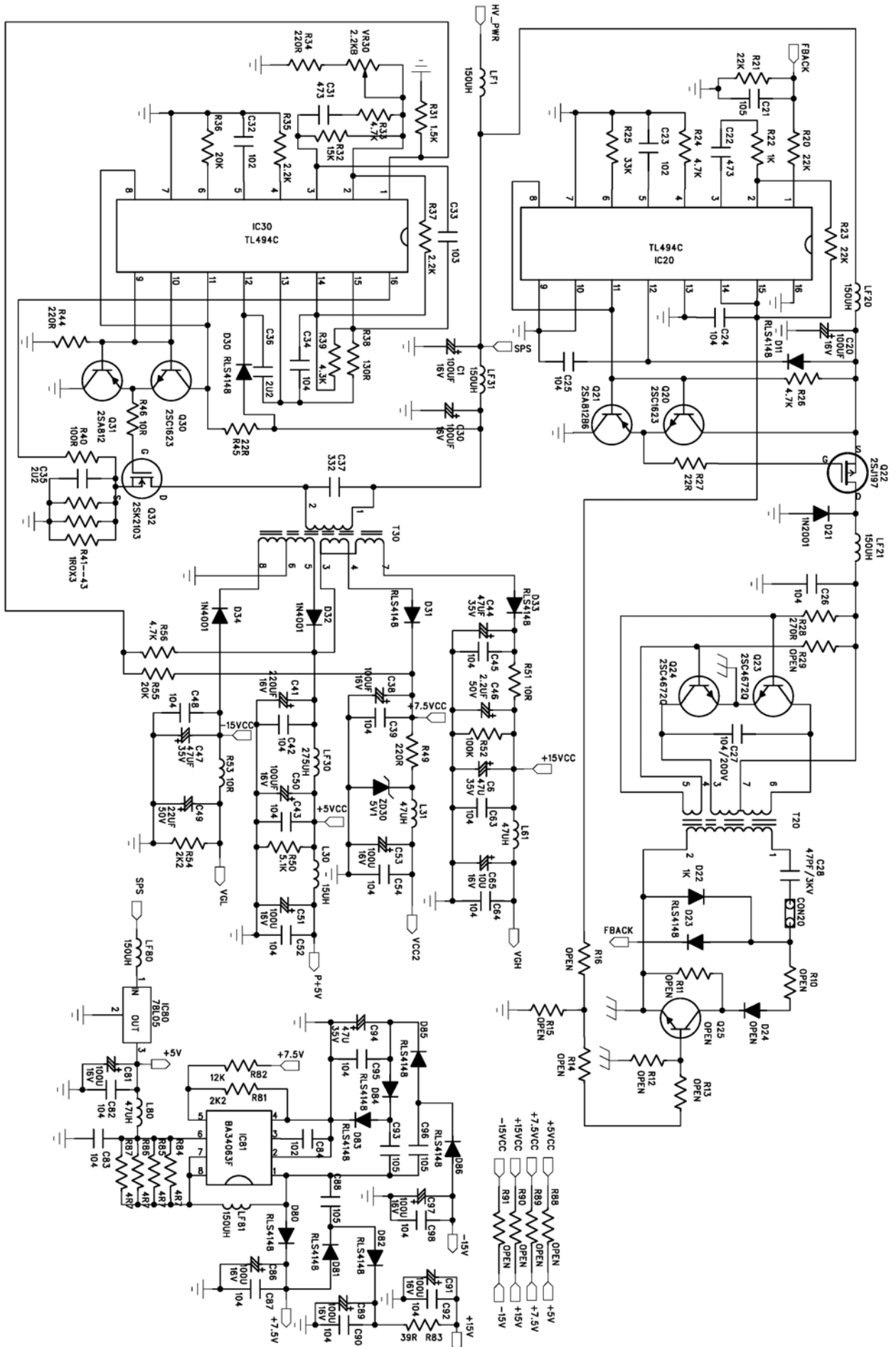
SCHEMATIC DIAGRAM (KEY BOARD)



SCHEMATIC DIAGRAM (TV BOARD)



SCHEMATIC DIAGRAM (DISPLAY BOARD) (POWER)



ELECTRICAL PARTS LIST

Ref. No.	Parts No.	Description	Q'ty
PC BOARD ASSY, MAIN BOARD			
QP3,9,QM1	01-00106-00	KRA106S (SOT-23)	3
QP2,4	01-00106-10	KRC106S (SOT-23)	2
QH3,4,QD1,2	01-00231-00	KRC231S (SOT-23)	4
Q21/2	01-01132-00	TR. CHIP 2SB1132Q ROHM	2
QP13	01-01298-00	KTA1298 (SOT-23)	1
QP1	01-01385-00	KTA1385D-Y (DPAK)	1
QP12	01-03265-00	KTC3265-Y (SOT-23)	1
QP7,8	01-04375-00	TR. KTC4375-Y (SOT-89)	2
DM1	02-04001-01	CHIP IN4001 (SOD-106)	1
D21/2,41,DM2,3	02-04148-02	DIO CHIP RLS4148 1206 ROHM	5
DP1~3	02-05819-02	CHIP IN5819 (SOD-106)	3
ZM1,ZP2,3	02-50051-03	CHIP ZENER DIODE 5.1V (LL-34)	3
ZP1	02-50112-00	12V ZENER DIODE (SMD-1206)	1
UP2	03-00141-00	IC PQICZ41H SMD SHARP	1
U32	03-01616-00	W981616BH-7 (TSOP II-50PIN)	1
UM5	03-02401-00	EEPROM (FLAT PACK) 24C01	1
U21	03-03721-00	SP3721A (PQFP-64PIN)	1
U22,UD1	03-04580-00	NJM4580M (SOP-8PIN)	2
U33	03-04743-00	IC BD4743G (SMP5) ROHM	1
UH1	03-04809-00	IC LM4809MM (SO) NATIONAL	1
U11	03-05705-00	M5705 (PQFP-176PIN)	1
U41	03-05918-00	BA5918FP-Y HSOP-25PIN	1
UM1	03-06008-00	ES6008 (PQFP-208PIN)	1
UM3	03-06146-00	W986416DH-6 (TSOP II-54PIN)	1
UP4	03-07805-01	REGULATOR 7805 (NJM78L05UA-TEI)	1
UM6	03-08728-00	WH8728 (SSOP-20PIN)	1
UM4	03-298-00-03	AM29LV800BT-90 (TSOP-48) DVD205AV	1
UP4	03-34063-01	MC34063A (SOP-8PIN)	1
U31	03-39010-00	IC W39F010P-70B (PLCC-32PIN)	1
YM1	04-00270-00	CRYSTAL 27M (HC-49/US)	1
Y11	04-03386-00	CERAMIC ZTA33.86MX	1
CM12/3	05-25106-10	TAN CAP CHIP 10 μ 25V 1206 SMT	2
C3,5~7,302	05-63100-00	CHIP CAP 10PF \pm 5% NPO 0603 SMT	5
C217	05-63101-00	CHIP CAP 100PF \pm 5% NPO 0603 SMT	1
C108,117/8,206,218,221/3,CD11/2CM1~	05-63102-01	CHIP 1000PF \pm 10% X7R 0603 SMT	9
3,11,CB6,BC11~6,21~3,31~4,41/2	05-63104-02	CHIP 0.1 μ F \pm 20% Y5V 0603 SMT	86
,CB1~34,C101/4			
C309	05-63105-00	CHIP CAP 105PF/25V \pm 20% 0603 SMT	1
C120/1	05-63120-00	CHIP CAP 12PF \pm 5% NPO 0603 SMT	2
C220	05-63151-00	CHIP CAP 150PF \pm 5% NPO 0603 SMT	1

ELECTRICAL PARTS LIST - CONTINUED

Ref. No.	Parts No.	Description	Q'ty
CM7,8	05-63200-00	CHIP CAP 20PF ±5% NPO 0603 SMT	2
CD5,6	05-63222-01	CHIP 2200PF ±10% X7R 0603 SMT	2
C308	05-63224-01W	CHIP CAP GRM29XTR224K10PT 0603	1
C208/9,211,227	05-63330-00	CHIP CAP 33PF ±5% NPO 0603 SMT	4
C105,CD9,10	05-63470-00	CHIP CAP 47PF ±5% NPO 0603 SMT	3
CM4,5,CP3,10,C113/4,405	05-63471-00	CHIP 470PF ±5% NPO 0603 SMT	7
C222,401	05-63472-01	CHIP 4700PF ±10% X7R 0603 SMT	2
C102,112,214	05-63473-01	CHIP 0.047μF ±10% X7R 0603 SMT	3
C111,231	05-63474-02	CHIP 0.47μF ±20% X7R 0603 SMT	2
C103	05-63561-00	CHIP 560PF ±5% NPO 0603 SMT	1
C207,212/3/5/6	05-63681-00	CHIP 680PF ±5% NPO 0603 SMT	5
C109	05-63682-01	CHIP 6800PF ±10% X7R 0603 SMT	1
CM10,CP12,21/4,CT3,TC46,CH1~4, CD1~4,7	06-16106-02	E. CAP 10μF 16V (Ø3.5X5MM)	15
CH5~7,CD8,CP22/5	06-16107-04	E. CAP 100μF 16V (Ø6X5MM)	6
CP1,2,19	06-16108-02	E. CAP 1000μF 16V Ø8MM	3
CH8	06-16475-03	E. CAP 4.7μF 16V (Ø3X5MM)	1
CT1~14,TC1,11~3,21/4/5,41~5,CP5~8	06-63227-01	E. CAP 220μF 16V (Ø6X5MM)	30
TC22/3	06-63476-00	E. CAP 47μF/6.3V Ø5X5MM	2
R414	07-05035-54	CHIP RES 3.3Ω SMD0805	1
R3V,R219,222~4,302,401/2,RM29,30	07-63000-00	CHIP RES. 0Ω ±1% 0603 SMT	10
RM18,R120,207	07-63100-00	CHIP RES. 10Ω ±5% 0603 SMT	3
RM13,21,R212/3,313/4	07-63101-00	CHIP RES. 100Ω ±5% 0603 SMT	6
RN7~10/2/3	07-63101-04	CHIP CN34JT 100Ω (0603X4 SMT)	6
RD9,10,RP18	07-63102-00	CHIP RES. 1kΩ ±5% 0603 SMT	3
RD11/2,RP10,R104,112/8,209,210/7, 305,404,RH7	07-63103-00	CHIP RES. 10kΩ ±5% 0603 SMT	12
RN1~6	07-63103-04	CHIP CN34JT 10kΩ (0603X4 SMT)	6
RM23,RP4,R102,119,RH5	07-63104-00	CHIP RES. 100kΩ ±5% 0603 SMT	5
RD2,3	07-63113-00	CHIP RES. 11kΩ ±5% 0603 SMT	2
RP13,20,R101	07-63122-01	CHIP RES. 1.2kΩ ±5% 0603 SMT	3
R406	07-63123-00	CHIP RES. 12kΩ ±5% 0603 SMT	1
RM15	07-63151-00	CHIP RES. 150Ω ±5% 0603 SMT	1
R214	07-63152-00	CHIP RES. 1.5kΩ ±5% 0603 SMT	1
R208	07-63153-00	CHIP RES. 15kΩ ±5% 0603 SMT	1
RH3,4,R107	07-63203-00	CHIP RES. 20kΩ ±5% 0603 SMT	3
RM25	07-63221-00	CHIP RES. 220Ω ±5% 0603 SMT	1
RP9,15,22	07-63222-01	CHIP RES. 2.2kΩ ±5% 0603 SMT	3
R409	07-63223-00	CHIP RES. 22kΩ ±5% 0603 SMT	1
R216/8,225/6	07-63242-00	CHIP RES. 2.4kΩ ±5% 0603 SMT	4
RM14	07-63271-00	CHIP RES. 270Ω ±5% 0603 SMT	1

ELECTRICAL PARTS LIST - CONTINUED

Ref. No.	Parts No.	Description	Q'ty
RM24,R114,201~4/8,308,407	07-63330-00	CHIP RES. 33Ω ±5% 0603 SMT	9
RN11	07-63330-04	CHIP CN34JT 33Ω (0603X4 SMT)	1
RD1,4~6,R109~11/5,403	07-63332-00	CHIP RES. 3.3kΩ ±5% 0603 SMT	9
R403/8	07-63333-00	CHIP RES. 33kΩ ±5% 0603 SMT	2
RP12/4	07-63362-01	CHIP RES. 3.6kΩ ±1% 0603 SMT	2
RP16/7	07-63471-00	CHIP RES. 470Ω ±5% 0603 SMT	2
RM1,4,5,7,9~11/9,20/2/7/8,RP5,R106, 116,318	07-63472-00	CHIP RES. 4.7kΩ ±5% 0603 SMT	16
RP11,R113	07-63473-00	CHIP RES. 47kΩ ±5% 0603 SMT	2
R221	07-63474-00	CHIP RES. 470kΩ ±5% 0603 SMT	1
R105,117,202	07-63512-00	CHIP RES. 5.1kΩ	3
R109	07-63513-00	CHIP RES. 51kΩ ±5% 0603 SMT	1
R103,215	07-63563-00	CHIP RES. 56kΩ ±5% 0603 SMT	2
RH1,2	07-63682-00	CHIP RES. 6.8kΩ ±5% 0603 SMT	2
RD7,8	07-63683-00	CHIP RES. 68kΩ ±5% 0603 SMT	2
RM16/7	07-63750-00	CHIP RES. 75Ω ±5% 0603 SMT	2
R203,220,RP19,21	07-63822-01	CHIP RES. 8.2kΩ ±5% 0603 SMT	4
L21/2	09-00100-54	INDUCTOR 10μH SMD 0805	2
LM1	09-00270-00	CHIP SGMI1608M2R7KT	1
FM1,2,L42/3	09-00601-00	CHIP BGH2012B601LB	4
LP1,7,8	09-03315-00	SL0805-3R3M1R5	3
LP4~6	09-10190-00	SL0805-101KR90	3
LP3	09-22113-00	CDRH125-221M1R3	1
LP2	09-70650-54	M. INDUCTOR 65μH 0.5A Ø8X5H	1
	11-02050-007	DVD205 MB D/S 192X127X1.2MM	1
AUDIO PHONES	16-00035-10	Ø3.5 JACK 4PIN BLACK	2
VIDEO	16-00035-20	Ø3.5 JACK 4PIN YELLOW	1
SPDIF	16-00035-30	Ø3.5 JACK 4PIN ORANGE	1
OPEN	16-51377-00K	PUSH SW. SPPB51377A (DS-20) KONEX	1
VH1	18-00134-03	VOL R1001G23CNH-A20K X2 BLACK	1
DC1	25-00174-03	Ø3.5 JDC OUT SOCKET	1
CN2	25-03005-00	30PIN CON 0.5MM	1
JS1	25-08360-20	CON DIP 20PIN P=1.27MM FAIR	1
JS2	25-08361-06	CON DIP 6PIN P=1.2MM MALE	1
CN1	25-50501-14	14P 0.5MM SMD SOCKET DOWN CONTACT	1
IR1	29-00238-00	IR RECEIVER RZMB38	1
PC BOARD ASSY, KEY BOARD			
UK1	03-06312-00	IC PT6312LQ ANGUS	1
CK1,3	05-63101-00	CHIP 100PF ±5% NPO 0603 SMT	2
CK4,5	05-63104-02	CHIP CAP 0.1μF ±20% Y5V 0603 SMT	2
CK2	05-63470-00	CHIP CAP 47PF ±5% NPO 0603 SMT	1

ELECTRICAL PARTS LIST - CONTINUED

Ref. No.	Parts No.	Description	Q'ty
RK4~6,8	07-63102-00	CHIP RES 1kΩ ±5% 0603 SMT	4
RK3,10/15/03	07-63151-00	CHIP RES 150Ω ±5% 0603 SMT	3
RK1	07-63333-00	CHIP RES 33kΩ ±5% 0603 SMT	1
RK2,7,9	07-63472-00	CHIP RES 4.7kΩ ±5% 0603 SMT	3
	11-02051-337	DVD2051 KB D/S 72.5X48.6X1.2MM	1
	16-01140-04A	TACT SW KPS-1107SW TAPPING	11
JK1	25-08360-06	CON DIP 6PIN P=1.27MM FAIR	1
PC BOARD ASSY, TVB/PTB/TB BOARD			
QP3,7,8, QS3	01-00106-00	KRA106S (SOT-23)	4
QP1,4,5, QT1	01-00106-10	KRC106S (SOT-23)	4
QS1,2,4,5	01-00231-00	KRC231S (SOT-23)	4
QP2, QV3	01-01298-00	KTA1298 (SOT-23)	2
QP6	01-01386-00	TR. 2SB1386 SMD ROHM	1
QV1,2,5,6	01-03265-00	KTC3265-Y (SOT-23)	4
DT2	02-00131-00	DIODE HVC131 CHIP 0603	1
DT1	02-00557-00	DIO CHIP MA557 PANASONIC	1
DS1	02-04001-01	CHIP IN4001 (SOD-106)	1
DS2,3	02-04148-02	DIO CHIP RLS4148 1206 ROHM	2
DP1	02-05819-02	CHIP IN5819 (SOD-106)	1
ZP1	02-50091-01	CHIP ZENER DIODE 9.1V 0.5W LL-34	1
UT1	03-01688-00	IC CHIP UPC1688G NEC	1
UV1	03-02235-00	IC CHIP NJM2235M JRC	1
UA1	03-02313-00	I.C. PT2313L	1
UU2	03-02408-01	IC AT24C08 SOIC ATMEL	1
US1	03-02822-13U	IC TDA2822 UTC	1
UV2	03-07062-00	IC CHIP BA7062F ROHM	1
UU1	03-07854-01	CPU W78E54BP PLCC (205-BG,BIN) W/TV	1
UP1	03-03063-01	MC34063A (SOP-8PIN)	1
U01	03-74763-00	IC LC74763 SANYO	1
XU1	04-00120-01A	CRYSTAL HC-49/US 12MHZ	1
X01	04-14318-00	CRYSTAL 14.31818MHZ 50PPM HC-49U/S	1
X02	04-17734-00	CRYSTAL 17.734MHZ 50PPM HC-49U/S	1
C011,13,CS11	05-16105-00	TAN CAP 1μF 16V ±10%	3
CU3,CV16	05-25106-10	TAN CAP CHIP 10μ 25V 1206 SMT	2
CV7~12,CT3~5,8,11	05-63101-00	CHIP 100PF ±5% NPO 0603 SMT	11
C014,CV13	05-63102-01	CHIP 1000PF ±10% X7R 0603 SMT	2
CT6,7,9,10/2/3	05-63103-02	CHIP CAP 0.01μF ±20% 0603 SMT	6
CT2,CV3,C06,CU1,6,CP1~5,CS7,8,10	05-63104-02	CHIP CAP 0.1μF ±20% Y5V 0603 SMT	11
CV14/5	05-63105-00	CHIP CAP 150PF/25V Y5V ±20% 0603 SMT	2
C010	05-63223-01W	CHIP 0.022μF ±10% X7R 0603 SMT	1
CA15~8	05-63224-01	CHIP 0.22μF ±10% X7R 0603 SMT	4

ELECTRICAL PARTS LIST - CONTINUED

Ref. No.	Parts No.	Description	Q'ty
C01~4,9	05-63270-00	CHIP CAP 27PF ±5% NPO 0603 SMT	5
CA10/1	05-63272-01	CHIP 2700PF ±10% X7R 0603 SMT	2
CU4,5,C08	05-63300-00	CHIP CAP 30PF ±5% NPO 0603 SMT	3
CP2	05-63470-00	CHIP CAP 47PF ±5% NPO 0603 SMT	1
C015	05-63560-00	CHIP CAP 56PF ±5% NPO 0603 SMT	1
C012	05-63682-01	CHIP 6800PF ±10% X7R 0603 SMT	1
CA1~6	06-16105-02	E. CAP 1μF 16V (Ø3.5X5MM)	6
CS1,2,C05,7,CU7	06-16106-02	E. CAP 10μF 16V (Ø3.5X5MM)	5
CV1,2,5,6,CU2,CA12,CS3~6,9	06-16107-04	E. CAP 100μF 16V (Ø6X5MM)	11
CA9,14	06-16225-03	E. CAP 2.2μF 16V (Ø4X5MM)	2
CA13	06-16226-02	E. CAP 22μF 16V (Ø5X5MM)	1
CP7	06-16227-01	E. CAP 220μF 16V (Ø6.3X12MM)	1
CA7,8	06-50334-03	E. CAP 0.33μF 50V (Ø4X5MM)	2
CT1,CP3,CV4	06-63227-01	E. CAP 220μF 6.3V (Ø6X5MM)	3
CP6	06-63476-00	E. CAP 47μF 6.3V (Ø5X5MM)	1
RS5,6	07-05047-54	CHIP RES. 4.7Ω 1/10W	2
RA11/2	07-63100-00	CHIP RES. 10Ω ±5% 0603 SMT	2
R04	07-63102-00	CHIP RES. 1kΩ ±5% 0603 SMT	1
RA1~4,RP1,RU5,RT12	07-63103-00	CHIP RES. 10kΩ ±5% 0603 SMT	7
R05,RV14,RP2,4	07-63121-00	CHIP RES. 120Ω ±5% 0603 SMT	4
RP6	07-63122-00	CHIP RES. 1.2kΩ ±5% 0603 SMT	1
RS1,2,RV4,12	07-63124-00	CHIP RES. 120kΩ ±5% 0603 SMT	4
R03,6,RP3	07-63152-00	CHIP RES. 1.5kΩ ±5% 0603 SMT	3
RA7,8	07-63153-00	CHIP RES. 15kΩ ±5% 0603 SMT	2
RT8	07-63220-00	CHIP RES. 22Ω ±5% 0603 SMT	1
R02,RV5,15,RT7,11	07-63221-00	CHIP RES. 220Ω ±5% 0603 SMT	5
RT10	07-63222-00	CHIP RES. 2.2kΩ ±5% 0603 SMT	1
RT4,6	07-63223-00	CHIP RES. 22kΩ ±5% 0603 SMT	2
RV17	07-63303-00	CHIP RES. 30kΩ ±5% 0603 SMT	1
RV6	07-63331-00	CHIP RES. 330Ω ±5% 0603 SMT	1
RA9,10	07-63332-00	CHIP RES. 3.3kΩ ±5% 0603 SMT	2
RP5	07-63362-01	CHIP RES. 3.6kΩ ±1% 0603 SMT	1
RA5,6,RS3,4	07-63393-00	CHIP RES. 39kΩ ±5% 0603 SMT	4
RV11/3	07-63470-00	CHIP RES. 47Ω ±5% 0603 SMT	2
RV7,7,10	07-63471-00	CHIP RES. 470Ω ±5% 0603 SMT	3
RU1~4,6~12,RS7,RT1,RP7	07-63472-00	CHIP RES. 4.7kΩ ±5% 0603 SMT	14
RT3,5,RV8	07-63473-00	CHIP RES. 47kΩ ±5% 0603 SMT	3
RV16/8	07-63474-00	CHIP RES. 470kΩ ±5% 0603 SMT	2
L01	09-00056-54	INDUCTOR 5.6μH SMD 1210	1
L1~3	09-00100-54	INDUCTOR 10μH SMD 0805	3
L02	09-00220-54	INDUCTOR 22μH SMD 1210	1

ELECTRICAL PARTS LIST - CONTINUED

Ref. No.	Parts No.	Description	Q'ty
LP1	09-70221-05	LINE CHOKE 220 μ H \varnothing 8X10H	1
	11-02050-137	DVD205 TV D/S 187X40X1.2MM	1
AUDIO	16-00035-10	\varnothing 3.5MM JACK 4PIN BLACK	1
VIDEO	16-00035-20	\varnothing 3.5MM JACK 4PIN YELLOW	1
ANT1	16-00035-40	\varnothing 3.5MM JACK 4PIN BLUE	1
CON1	25-08361-20	CON DIP 20PIN P=1.27MM MALE	1
CON3,5	25-24184-04	WAFER FOR 4PIN JST 2.0	2
CON2	25-24184-05	WAFER FOR 5PIN JST 2.0	1
CON4	25-24184-07	WAFER FOR 7PIN JST 2.0	1
TT1	29-00205-01	TV TUNER TDQ-6B3 (PAL B/G)	1
PC BOARD ASSY, JB/KB/LB			
	11-02050-327	DVD205 KB 50.5X21.2X1.2MM	1
	14-02808-00	SPK. 0.5W 80HM \varnothing 28MM	2
	16-00111-00	HICRO SW. SW-111 (SHIN MEI)	1
	16-01107-00K	TACT SW. DCT/1101 4.3MM 2PIN	3
	16-01140-04A	TACT SW KPS-1107SW TAPPING	3
PC BOARD ASSY, REMOTE BOARD			
Q1	01-01781-18	TR. 2SD1781K-R "ROHM"	1
J4	02-00334-00	INFRARED LED \varnothing 3MM MIE-334A4	1
D4	02-04148-02	DIO CHIP RLS4148 1206 ROHM	1
IC1	03-02222-00	IC PT2222-001 SOP ANGUS	1
C1,2	05-63121-00	CHIP 120PF \pm 5% NPO 0603 SMT	2
C3	06-06476-02	E. CAP 4.7 μ F 6.3V (\varnothing 3.5X5MM)	1
R1	07-05010-54	CHIP RES 1 Ω 1/10W	1
XT1	09-50455-05J	CER RESONATOR ZTB455E	1
	11-02050-507	DV205 RC PCB D/S 110X50X1.2MM	1
PC BOARD ASSY, DISPLAY BOARD			
Q22	01-00197-00	TR. SMD 2SJ197	1
Q21,31,302	01-00812-00	TR. 2SA812	3
Q20,30,300/1	01-01623-00	CHIP TR. C1623 "NEC"	4
Q32	01-02103-00	TR CHIP 2SK2103 ROHM	1
Q23/4	01-04672-00	TR. SMD 2SC4672Q	2
D301	02-00335-00	DIODE MA335 SMD PANASONIC	1
D1,21,34	02-04001-01	CHIP IN4001 (SOD-106)	3
D20/3,30/1/3	02-04148-02	DIO CHIP RLS4148 1206 ROHM	5
D32	02-05040-00	DIO CHIP RB050L-40 SOD106 ROHM	1
ZD30	02-50051-00	ZENER DIODE 5.1V (LL-34)	1
IC200	03-00331-00	IC CHIP IR3Y31M SHARP	1
IC301	03-00481-00	IC BU4S81 SMD ROHM	1
IC20,30	03-00494-01	IC TL494C (SOP-16)	2
IC300	03-01004-00	IC PVI-1004B SMD	1

ELECTRICAL PARTS LIST - CONTINUED

Ref. No.	Parts No.	Description	Q'ty
IC302	03-03414-00	IC CHIP NJM3414AM JRC	1
IC500	03-09241-00	IC CHIP X9241AWV XICOR	1
XT200	04-03579-00	CRYSTAL 3.579MHZ (SMD)	1
XT201	04-04433-00	CRYSTAL 4.433MHZ SMD	1
C28	05-00470-302	CER CAP 47P 3KV ±10%	1
C35/6,46/9	05-03225-10	CHIP CAP 2.2µF/25V SMD 1206	4
C27	05-04104-00	METALLIZED CAP 0.1µF 63V	1
C62/5/8,320/1	05-25103-10	TAN CAP CHIP 10µ 25V 1206 SMT	5
C219	05-63101-00	CHIP 100PF ±5% NPO 0603 SMT	1
C23,32	05-63102-01	CHIP 1000PF ±10% X7R 0603 SMT	2
C33,228	05-63103-01	CHIP 0.01µF ±10% X7R 0603 SMT	2
C24~6,32/4/9,42/3/5,52/4,60/1/3/4/6/7,72 ,200~6/9,217/8,229,233/5/7,500~4,619	05-63104-01	CHIP 0.1µF ±10% X7R 0603 SMT	43
C21,210/3,221~3,300/7	05-63105-00	CHIP CAP 105PF/25V Y5V ±20% 0603 SMT	9
C303,310	05-63151-00	CHIP 150PF ±5% NPO 0603 SMT	2
C304	05-63200-00	CHIP CAP 20PF ±5% NPO 0603 SMT	1
C216	05-63224-01	CHIP 0.22µF ±10% X7R 0603 SMT	1
C302	05-63330-00	CHIP CAP 33PF ±5% NPO 0603 SMT	1
C308,311	05-63331-00	CHIP 3300PF ±5% NPO 0603 SMT	2
C37	05-63332-01	CHIP 3300PF ±10% X7R 0603 SMT	1
C22,31,215	05-63473-01	CHIP 0.047µF ±10% X7R 0603 SMT	3
C227	05-63474-02	CHIP 474PF/25V Y5V ±10% 0603 SMT	1
C220	05-63560-00	CHIP CAP 56PF ±5% NPO 0603 SMT	1
C301	05-63680-00	CHIP CAP 68PF ±5% NPO 0603 SMT	1
C212	05-63681-00	CHIP 680PF ±5% NPO 0603 SMT	1
C230,306	05-63682-01	CHIP 6800PF ±10% X7R 0603 SMT	2
C1,3,20,30/8,50/3,236,618	06-16107-54	E. CAP CHIP 100µF/16V Ø6.3X5.5	9
C211,234	06-16226-54	E. CAP CHIP 22µF/16V Ø5X5.5	2
C41	06-16227-54	E. CAP CHIP 220µF/16V Ø6.3X7.6	1
C6,44/7,323,332	06-35476-54	E. CAP CHIP 47µF/35V Ø6.3X5.5	5
R38	07-05131-54	CHIP RES 130Ω 1/10W 0805	1
R39	07-05432-54	CHIP RES 4.3kΩ 1/10W 0805	1
R1,61,245/7,251,260/1,375	07-63000-00	CHIP RES 0Ω ±5% 0603 SMT	8
R41~3	07-63010-00	CHIP RES 1Ω ±5% 0603 SMT	3
R46,51/3	07-63100-00	CHIP RES 10Ω ±5% 0603 SMT	3
R40,234/7,372,505	07-63101-00	CHIP RES 100Ω ±5% 0603 SMT	5
R17,22,207/9,236,311,337	07-63102-00	CHIP RES 1kΩ ±5% 0603 SMT	7
R301,358/9,361/6~8,371/6	07-63103-00	CHIP RES 10kΩ ±5% 0603 SMT	9
R52,335	07-63104-00	CHIP RES 100kΩ ±5% 0603 SMT	2
R230,241	07-63105-00	CHIP RES 1MΩ ±5% 0603 SMT	2
R222	07-63106-00	CHIP RES 10MΩ ±5% 0603 SMT	1

ELECTRICAL PARTS LIST - CONTINUED

Ref. No.	Parts No.	Description	Q'ty
R213	07-63123-00	CHIP RES 12kΩ ±5% 0603 SMT	1
R31	07-63152-00	CHIP RES 1.5kΩ ±5% 0603 SMT	1
R32,210,231,338,365	07-63153-00	CHIP RES 15kΩ ±5% 0603 SMT	5
R240	07-63183-00	CHIP RES 18kΩ ±5% 0603 SMT	1
R36,55,336,502	07-63203-00	CHIP RES 20kΩ ±5% 0603 SMT	4
R360	07-63204-00	CHIP RES 200kΩ ±5% 0603 SMT	1
R27,45	07-63220-00	HIP RES 22Ω ±5% 0603 SMT	2
R34,44/9,233	07-63221-00	CHIP RES 220Ω ±5% 0603 SMT	4
R35/7,54,235,370,503/7	07-63222-00	CHIP RES 2.2kΩ ±5% 0603 SMT	7
R20~3	07-63223-00	CHIP RES 22kΩ ±5% 0603 SMT	3
R28,220	07-63271-00	CHIP RES 270Ω ±5% 0603 SMT	2
R369	07-63303-00	CHIP RES 30kΩ ±5% 0603 SMT	1
R219	07-63332-00	CHIP RES 3.3kΩ ±5% 0603 SMT	1
R25,211/2/8,500/1	07-63333-00	CHIP RES 33kΩ ±5% 0603 SMT	6
R223	07-63334-00	CHIP RES 330kΩ	1
R302/6/8/9,310/2~5,324~34,/9,340/2/3/5// 8,350/1/4~7,362,377	07-63390-00	CHIP RES 39Ω ±5% 0603 SMT	34
R374	07-63391-00	CHIP RES 390Ω ±5% 0603 SMT	1
R206/8,363	07-63392-00	CHIP RES 3.9kΩ ±5% 0603 SMT	3
R200,364	07-63393-00	CHIP RES 39kΩ ±5% 0603 SMT	2
R24/6,33,56,504	07-63472-00	CHIP RES 4.7kΩ ±5% 0603 SMT	5
R204	07-63473-00	CHIP RES 47kΩ ±5% 0603 SMT	1
R50,253	07-63512-00	CHIP RES 5.1kΩ	2
R205	07-63513-00	CHIP RES 51kΩ ±5% 0603 SMT	1
R373	07-63561-00	CHIP RES 560Ω ±5% 0603 SMT	1
R202/3,228,239	07-63562-00	CHIP RES 5.6kΩ ±5% 0603 SMT	4
R224	07-63684-00	CHIP RES 680kΩ ±5% 0603 SMT	1
R221	07-63750-00	CHIP RES 75Ω ±5% 0603 SMT	1
R201	07-63752-00	CHIP RES 7.5kΩ ±5% 0603 SMT	1
R238,506	07-63822-00	CHIP RES 8.2kΩ ±5% 0603 SMT	2
VL301	08-02048-00	IFT CP4L2-4R8 (RED) 4.8μH ±1%	1
L60~2,200/1	09-00220-54	INDUCTOR 22μH SMD 1210	5
L31	09-00470-54	INDUCTOR 47μH SMD 1210	1
LF1,20/1,31	09-70151-03	CHOKE COIL 150μH Ø6X10X0.3	4
LF30	09-70275-00	CHOKE COIL 275μH JCI-519-Ø6X8	1
	11-10700-927	COG 7" DRIVER D/S 179X100X1.2	1
T20	15-00132-01A	TRANS TV-132 XB-182-EFD15	1
T101	15-00900-01	TRANS FOR PVI TFT DRIVER (MINI)	1
VR209,211/2	17-00103-00	SEMI-FIXED VR10KB SMD EVM3Y	3
VR1	17-00222-00	SEMI-FIXED VR10KB SMD EVM3Y	1

SPECIFICATIONS

DC Supply..... 12V (11~15V)

CD Play Ability:

Interruption (ABEX RCD-725B)..... 900 ~ 700 μ m

Black Dots (ABEX TCD725B)..... 800 ~ 600 μ m

Finger Prints (ABEX TCD725B)..... 75 ~ 65 μ m

Play Eccentric Disc (ABEX TCD712) 140 μ m

DVD Play Ability:

Interruption (ABEX TDV-541) 1000 ~ 800 μ m

Black Dots (ABEX TDV545) 1000 ~ 800 μ m

Finger Prints (ABEX TDV545) 75 ~ 65 μ m

Play Eccentric Disc (ABEX TCD553) 150 μ m

Access Time:

CD Player (Philips SBC-444)..... 0.7 ~ 1.0s

DVD Player (ABEX TDV-540)..... 0.2 ~ 0.3s

Start Time:

CD Player (Philips SBC-444)..... 7 ~ 12s

DVD Player (ABEX TDV-540)..... 9 ~ 15s

Analog Audio Output (10k Ω Load) (SONY-3):

Audio Level (1kHz -20dB)..... 200mV (150~250mV)

L/R Distortion (1kHz 0dB)..... 0.1% ~ 1.0%

L/R Level Diff (1kHz 0dB) 0 ~ 1.0dB

Frequency Response (20Hz-20kHz 0dB)..... 0dB (+1/-3dB)

Audio S/N (1kHz 0dB)..... 70 ~ 60dB

L Channel SEP (1kHz 0dB) 60 ~ 55dB

R Channel SEP (1kHz 0dB)..... 60 ~ 55dB

Video Output Level (75 Ω Load) (ABEX TDV-540)

Video Output..... 1.0 ~ 1.2Vp-p

Remote Control:

Direct Line Distance..... 8 ~ 5m

Specifications and design are subject to modification, without notice, due to improvements in technology.