

BELSON /BSV-2652 / Dpto. Técnico / Mayo 30-2005 / ed01

26" LCD TV SERVICE MANUAL

(panel:AU/T260XW01-V5)

MODELO: BSV-2652

BSV-2652 LCD TV DESCRIPTION

FEATURES

- POWER SUPPLY:AC 100~240V 50/60Hz
- MULTI TV SYSTEM:PAL BG/DK/I/M/N ,NTSC M/N, SECAM BG/DK/LL'
- MULTI STANDARD SOUND PROCESSORS:NICAM,FM-STEREO,BTSC
- MULTI VIDEO SYSTEM:PAL/NTSC/SECAM
- VERSATILE INPUT SOURCES:
TV,VIDEO,S-VIDEO,SCART,YCbCr,YPbPr,DVI,PC(ANALOG)
- FULL FUNCTION REMOTE CONTROLLER
- EXCELLENT SOUND EFFECT WITH VOLUME,TRABLE,BASS, BALANCE, AVC ADJUSTABLE,AUDIO MODE,SPACIAL EFFECT, EQUALIZER
- SMART SOUND & PICTURE MODE SET:
PERSONAL,CINEMA,SPEECH,MUSIC;STANDARD,PERSONAL,BRIGHT, MILD
- ADAPTIVE 2/4 LINE COMB FILTER FOR PAL/NTSC
- VTR FOR WEAK AND DISTO RETED SIGNAL FROM VIDEO TAPE RECORDER
- 10 PAGES TELETEXT
- AUTOMATICALLY TURN OFF THE SET WHEN SIGNAL ABSENT LONGER THAN 10 MINUTES
- 150 CHANNELS
- BLUE SCREEN DISPLAY
- CC/V-CHIP
- FREEZE PICTURE
- PROGRAM LABEL
- SLEEP
- SCREEN SIZE CHANGE
- STANDBY
- CHANNEL SWAP

GENERAL SPECIFICATION:

PART1:TV SET

POWER CONSUMPTION	200Watt (MAX.)
	≤3Watt(STBY)
TV RECEIVE SYSTEM	PAL D/K I B/G M/N SECAM L/L' D/K B/G NTSC M/N
VIDEO SYSTEM	MULTI PAL/ SECAM/ NTSC
VISION INTERMEDIATE FREQUENCY	38.9MHz,33.95MHz(L')
INTER-CARRIER FREQUENCY	5.5 MHz (B/G)
	6.0 MHz (I)

	6.5 MHz (D/K,L/L')
	5.85MHz(NICAM B/G,D/K,L)
	6.55 MHz (NICAM I)
	5.74MHz(GERMAN STEREO)
	4.5MHz(BTSC)
CHROMA IF FREQUENCY	BG/DK/L: 34.47MHz
	L': 38.38 MHz
CHANNELS RECEIVED	VHF-L 46.25-163.25MHz
	VHF-H158.25-466.25MHz
	UHF 471.25-855.25MHz
TUNING MODE	PLL SYSTEM
AV IN/OUT	1 AV1 IN,1 S-VIDEO IN
	SCART IN, YCbCr IN, YPbPr IN
	1 AV OUT
AV IN/OUT SPECIFICATION	Y/C IN-Y: $1.0 \pm 0.2 V_{P-P} 75 \Omega$ C: $0.7 V_{P-P} 75 \Omega$
	VIDEO IN--- $1.0 \pm 0.2 V_{P-P} 75 \Omega$
	AUDIO IN---Approx,500mV
	VIDEO OUT--- $1.0 \pm 0.2 V_{P-P} 75 \Omega$
	AUDIO OUT---Approx,400mV
	RGB IN : $\leq 0.7 V_{P-P}$
ANTENNA INPUT IMPEDANCE	75 OHM
OSD LANGUAGE	ENGLISH/SPANISH/ITALY
	GERMAN/FRENCH/RUSSION/PORTUGUES/ POLAND/TURKISH/CROATION/SERBIAN/ NACEDONIAN/CHINA-SINPLE/ CHINA-TRADITIONAL <i>NOTE: The OSD language has only 5 language.</i>
AUDIO OUTPUT POWER	6Wx2 (1KHz, 0.5Vrms, 10%THD)
LED INDICATORS	Continue shine POWER ON
	Flash standby
HAND SET POWER SUPLY	BATTERY 1.5V (AAA) x2

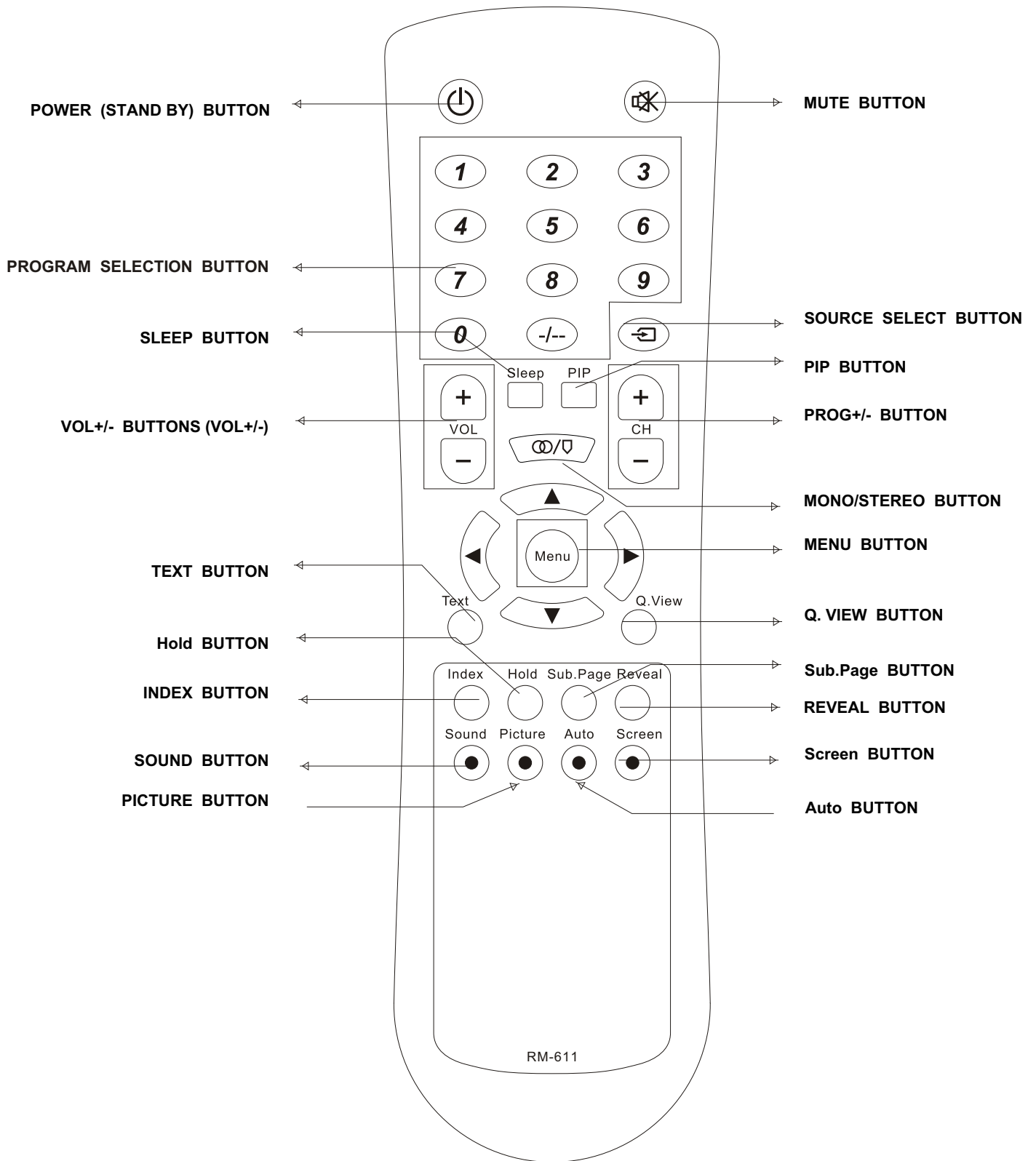
PART2:PC RESOLUTION

ANALOG RGB IN		0.7 V _{P-P}	
DVI IN		0.7 V _{P-P}	
RESOLUTION	V.Feq.(Hz)	h.Feq.(Hz)	GRAPHIC MODE
640X480	59.940	31.469	VGA
800X600	60.317	37.879	VGA
1024X768	60.004	48.363	VGA

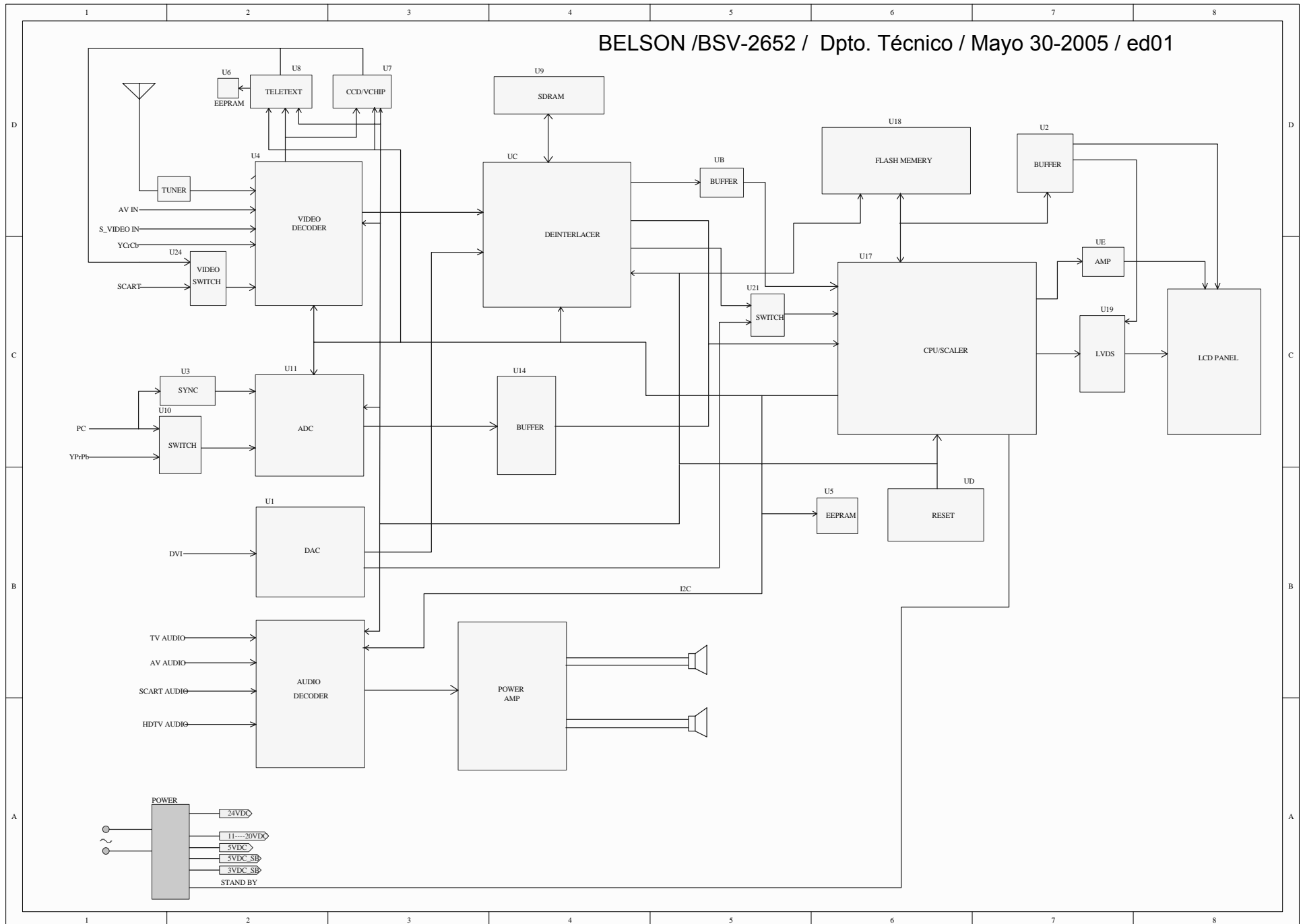
1280X768	59.870	47.776	VGA
----------	--------	--------	-----

PART3:PANEL

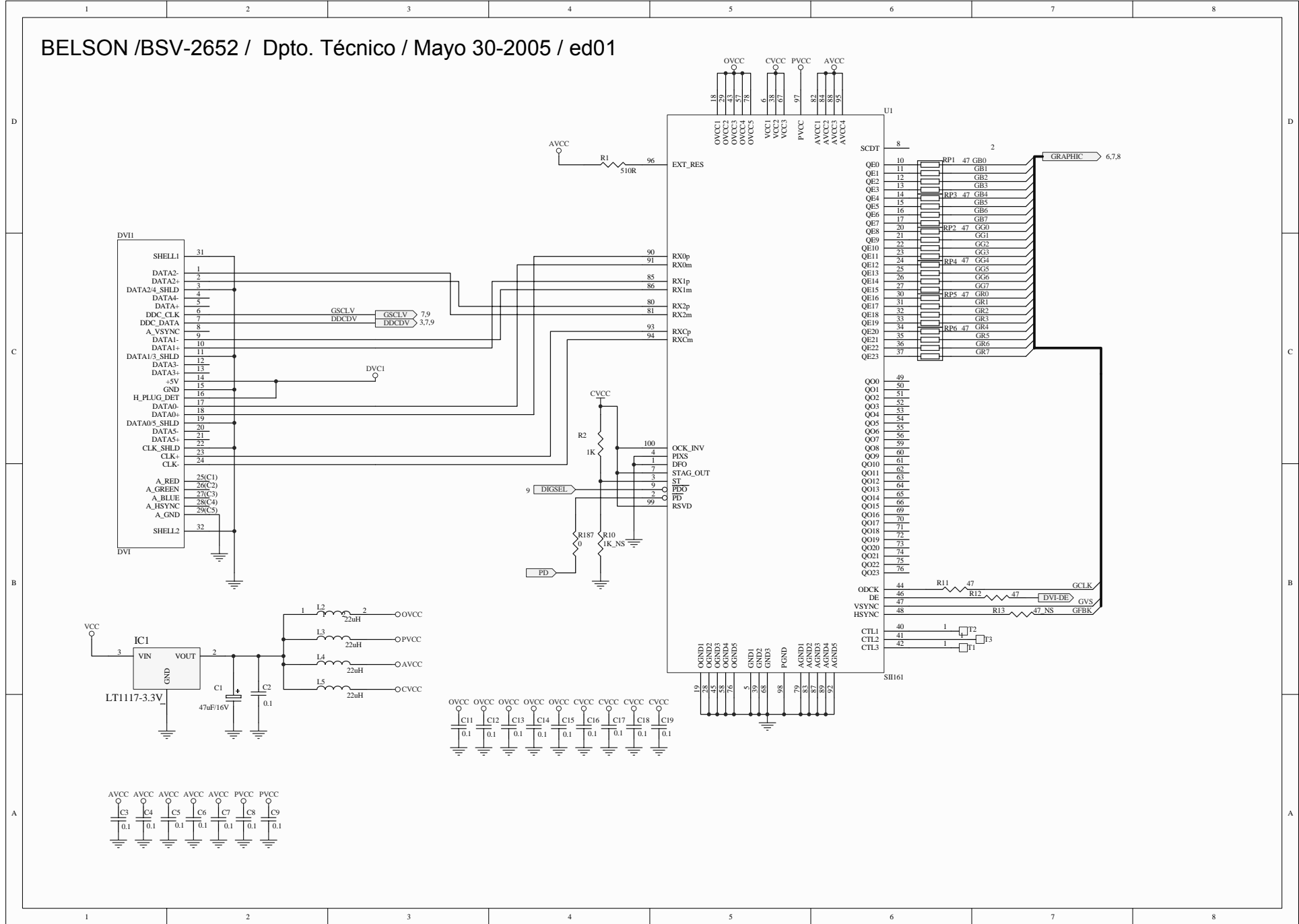
Brand & Model	AU /T260XW01-V5
Resolution	1280X768
Displayable Colour	16.7MHz
Surface	Hard Coating + Anti-Radiation
Viewing Angle (H/V)	170° (Hor) / 170° (Ver)
Display Response Time	16ms
Contrast Ratio	1:600
Brightness	500nit
Aspect	16;9
Lamp Life	50,000Hrs
Bad Pixel Quality (Bright/Dark/Total)	2/6/8



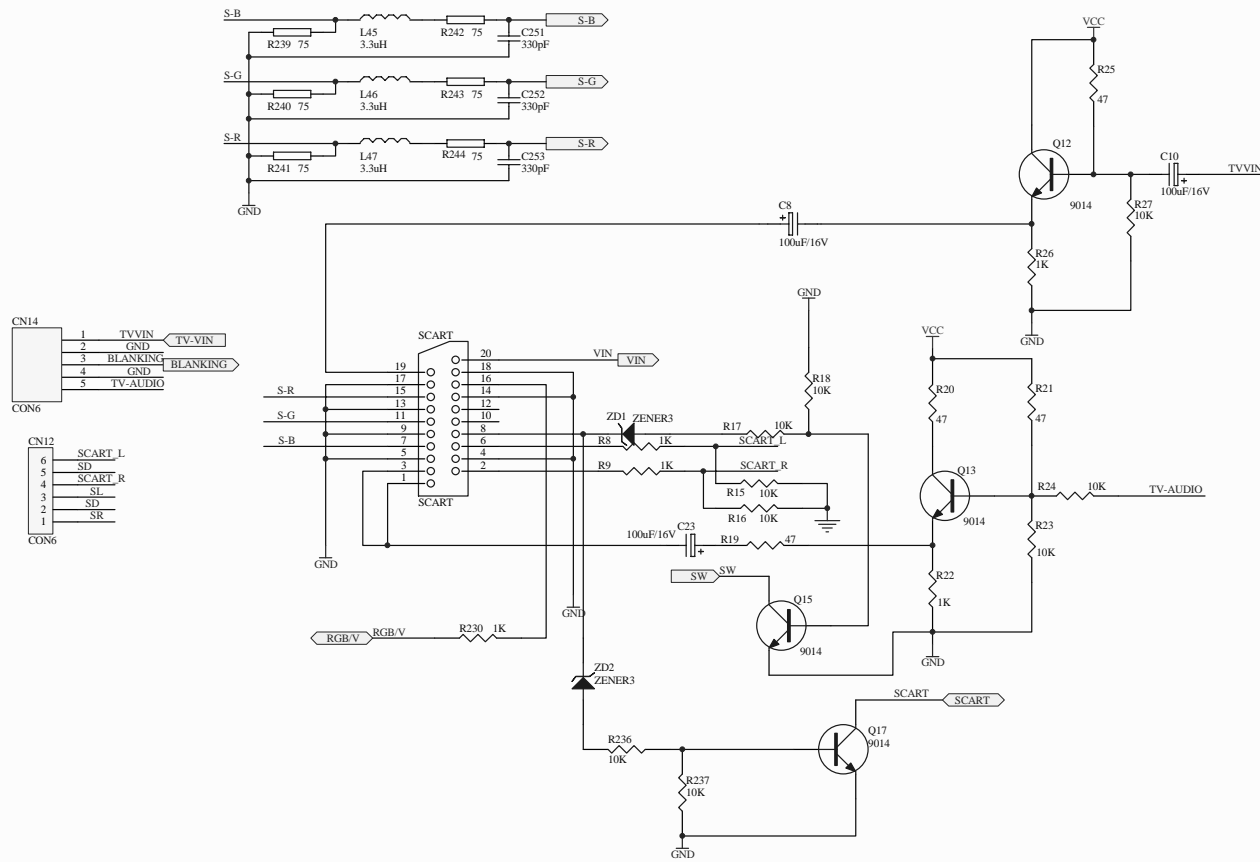
BELSON /BSV-2652 / Dpto. Técnico / Mayo 30-2005 / ed01



BELSON /BSV-2652 / Dpto. Técnico / Mayo 30-2005 / ed01

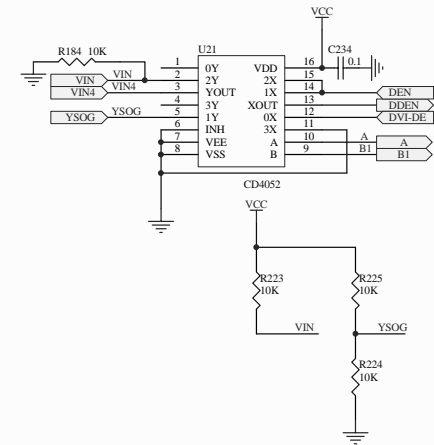
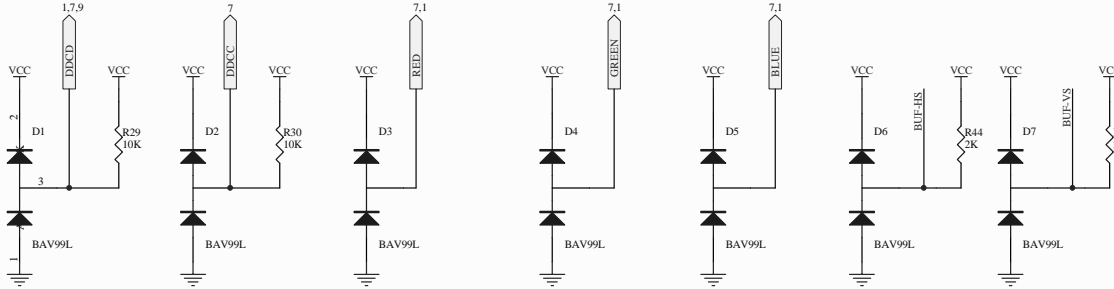
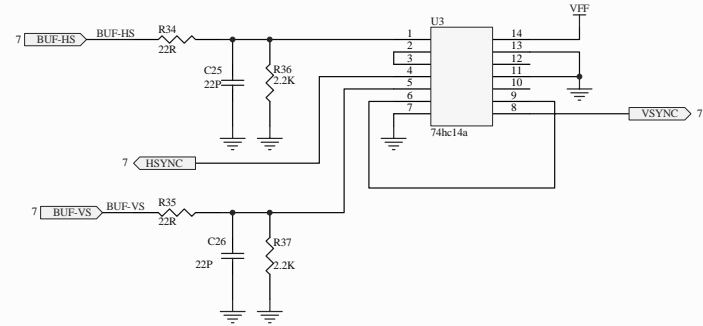
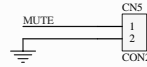
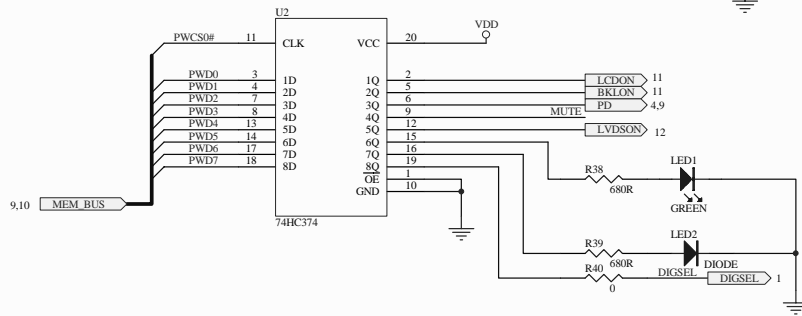


BELSON /BSV-2652 / Dpto. Técnico / Mayo 30-2005 / ed01

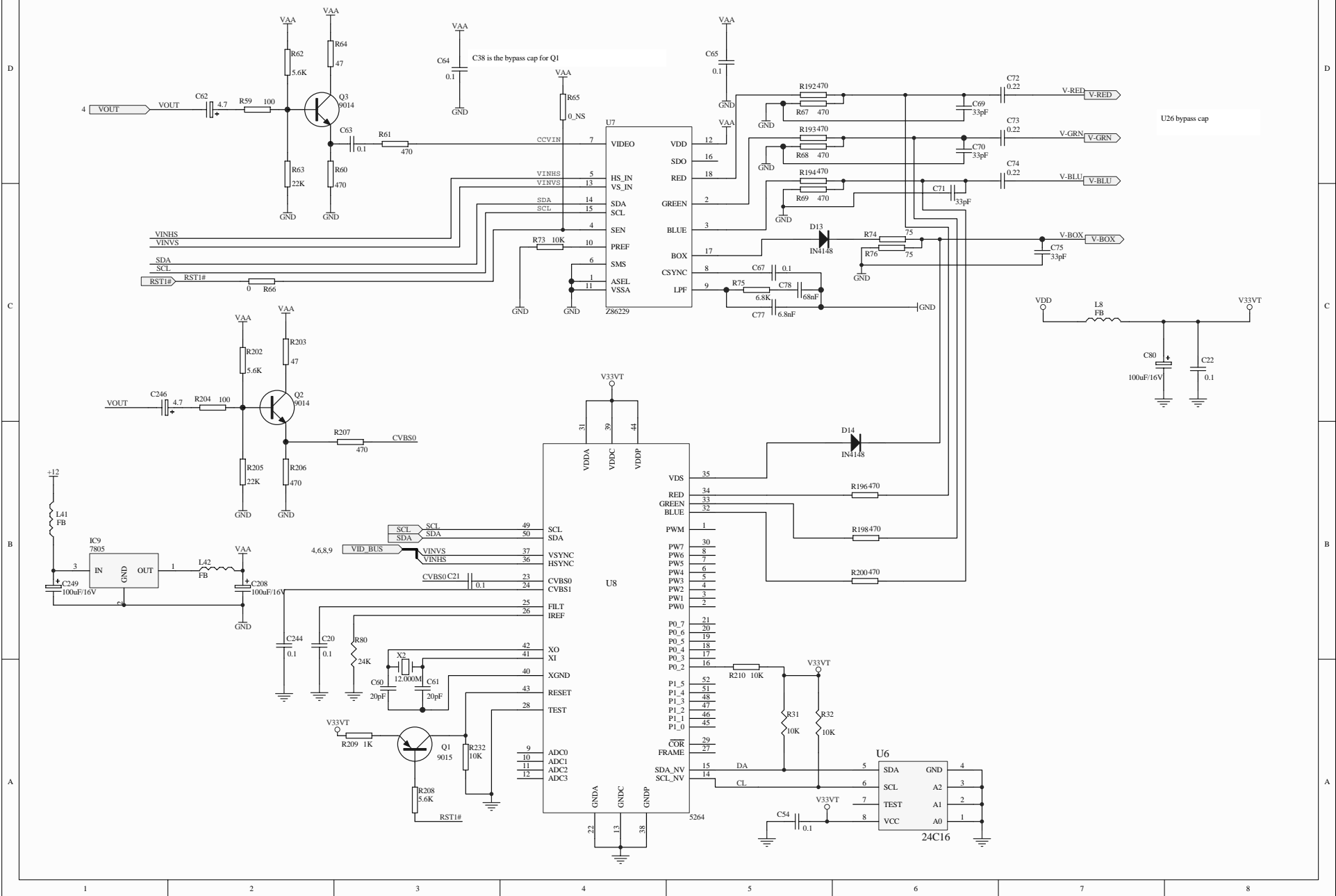


BELSON /BSV-2652 / Dpto. Técnico / Mayo 30-2005 / ed01

CON5 is for LCD control (J24's) supplement.

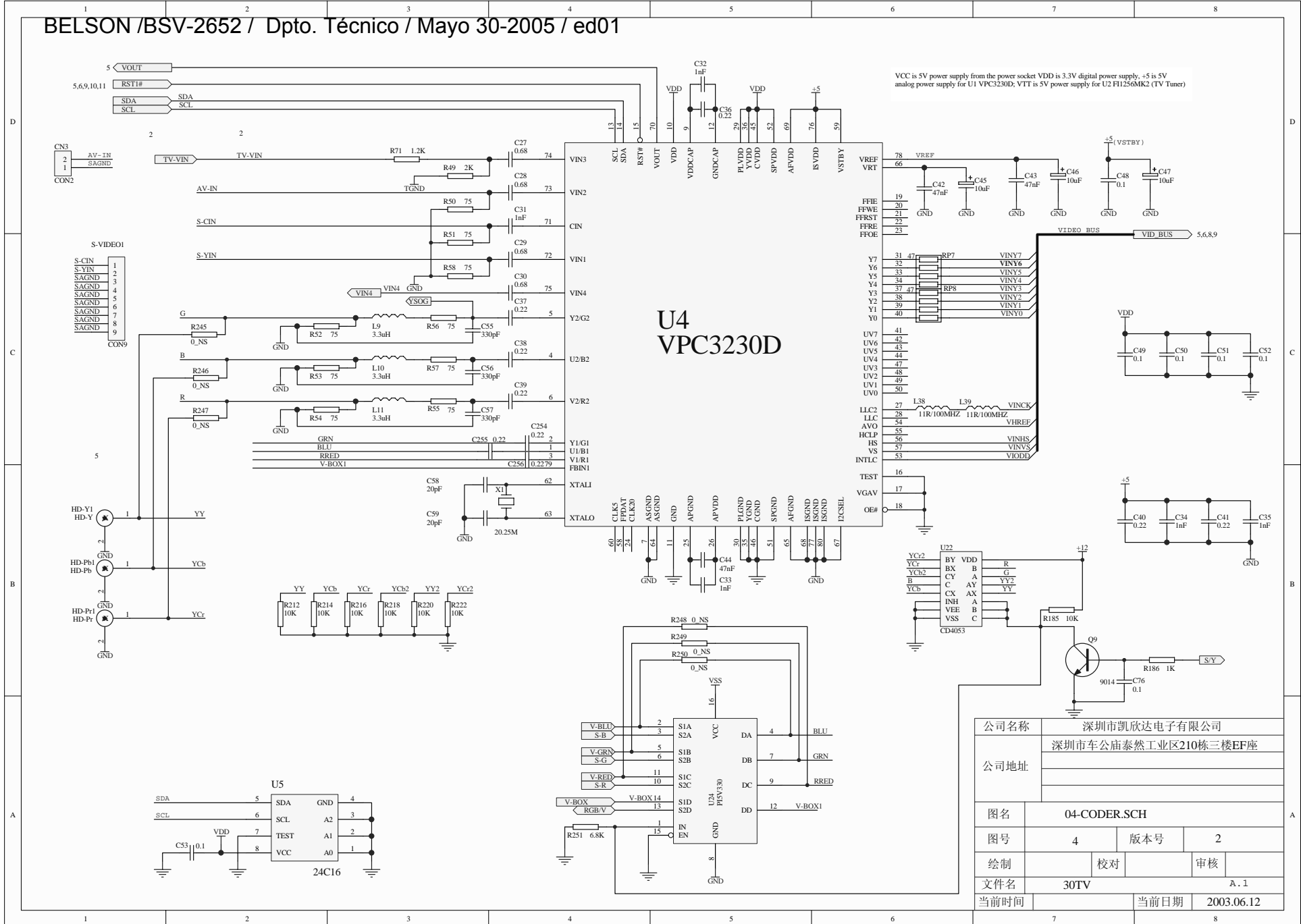


BELSON /BSV-2652 / Dpto. Técnico / Mayo 30-2005 / ed01

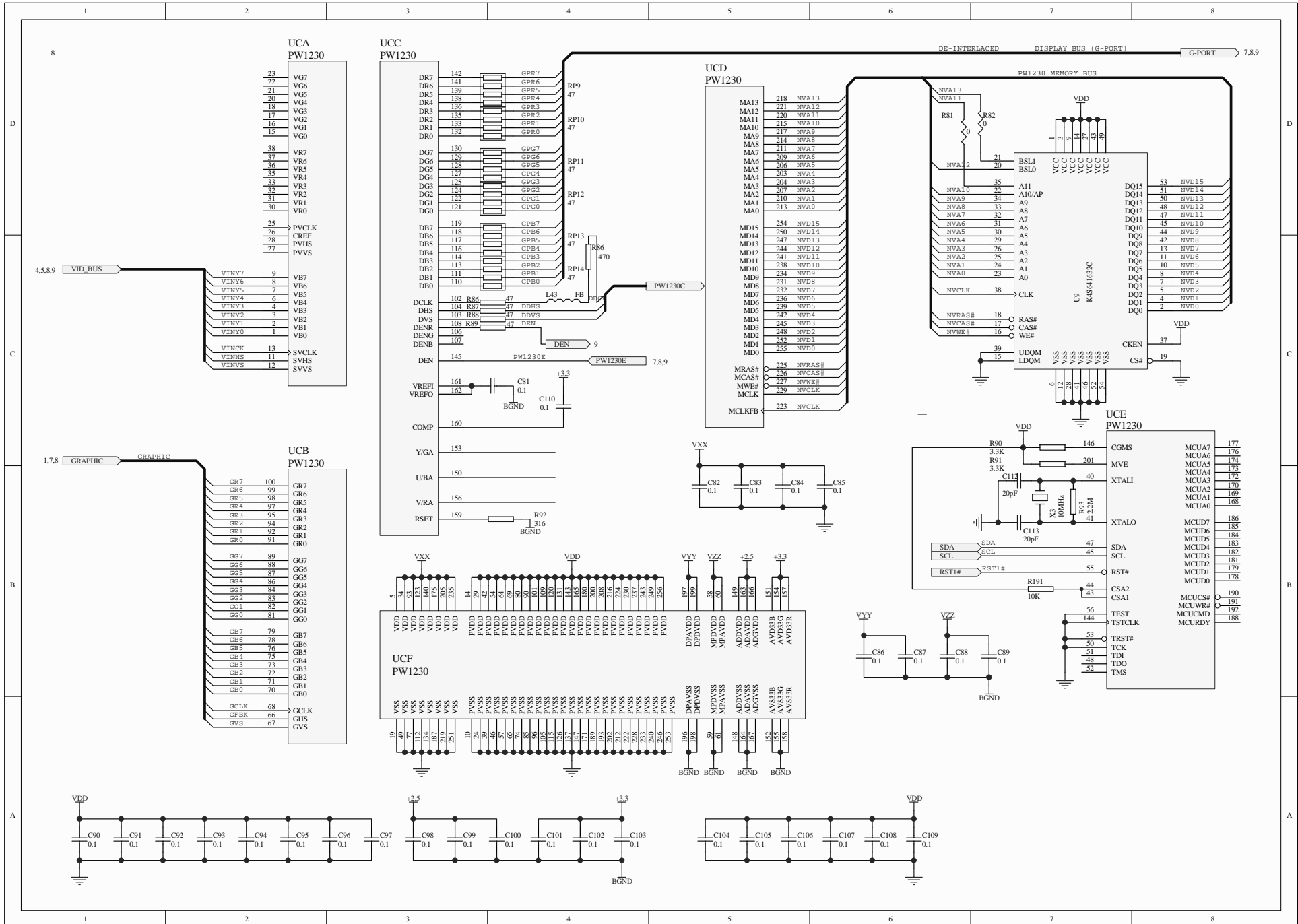


BELSON /BSV-2652 / Dpto. Técnico / Mayo 30-2005 / ed01

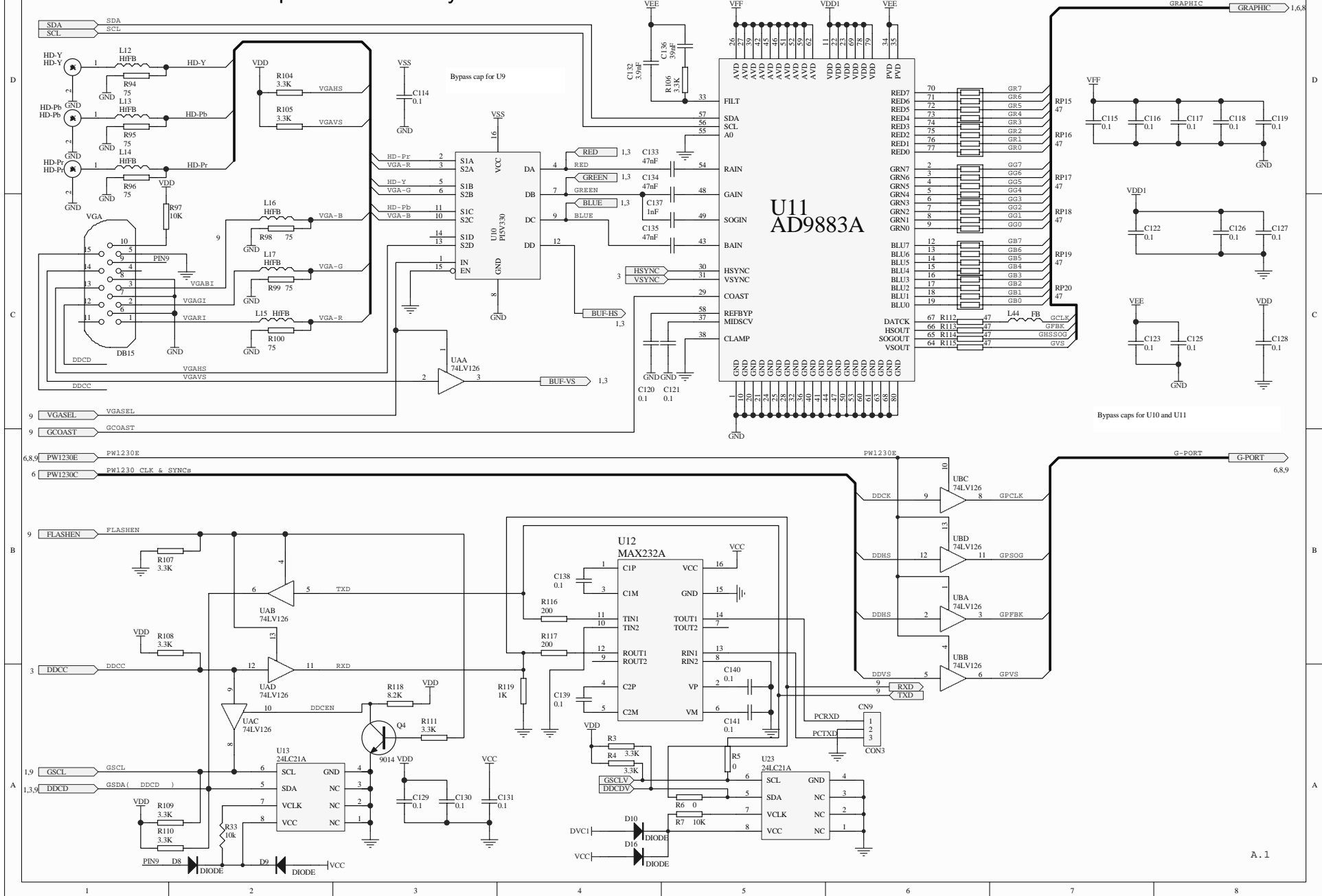
VCC is 5V power supply from the power socket VDD is 3.3V digital power supply, +5 is 5V analog power supply for U1 VPC3230D, VTT is 5V power supply for U2 FH1256MK2 (TV Tuner)

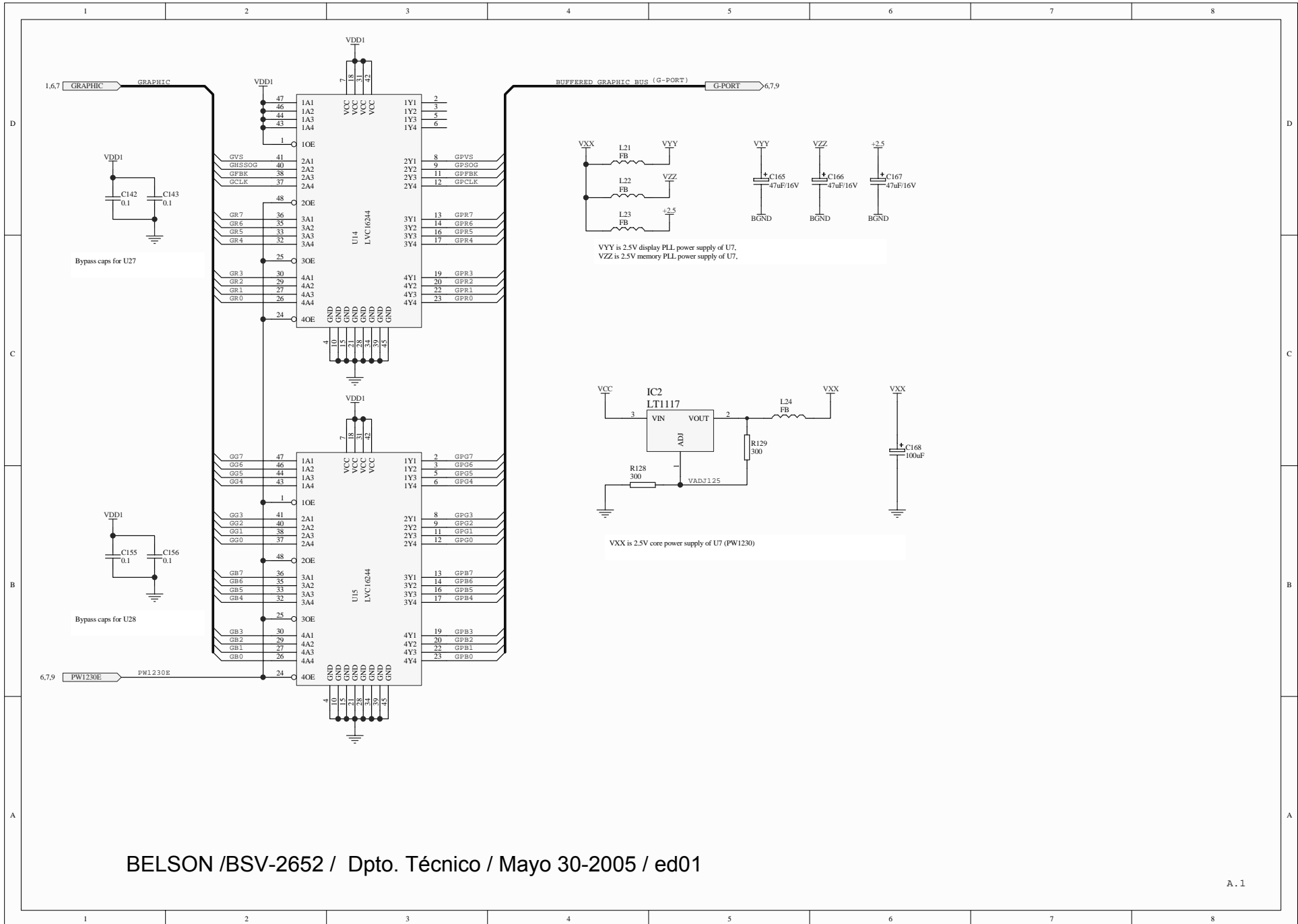


公司名称	深圳市凯欣达电子有限公司		
公司地址	深圳市车公庙泰然工业区210栋三楼EF座		
图名	04-CODER.SCH		
图号	4	版本号	2
绘制	校对	审核	
文件名	30TV		
当前时间		当前日期	2003.06.12

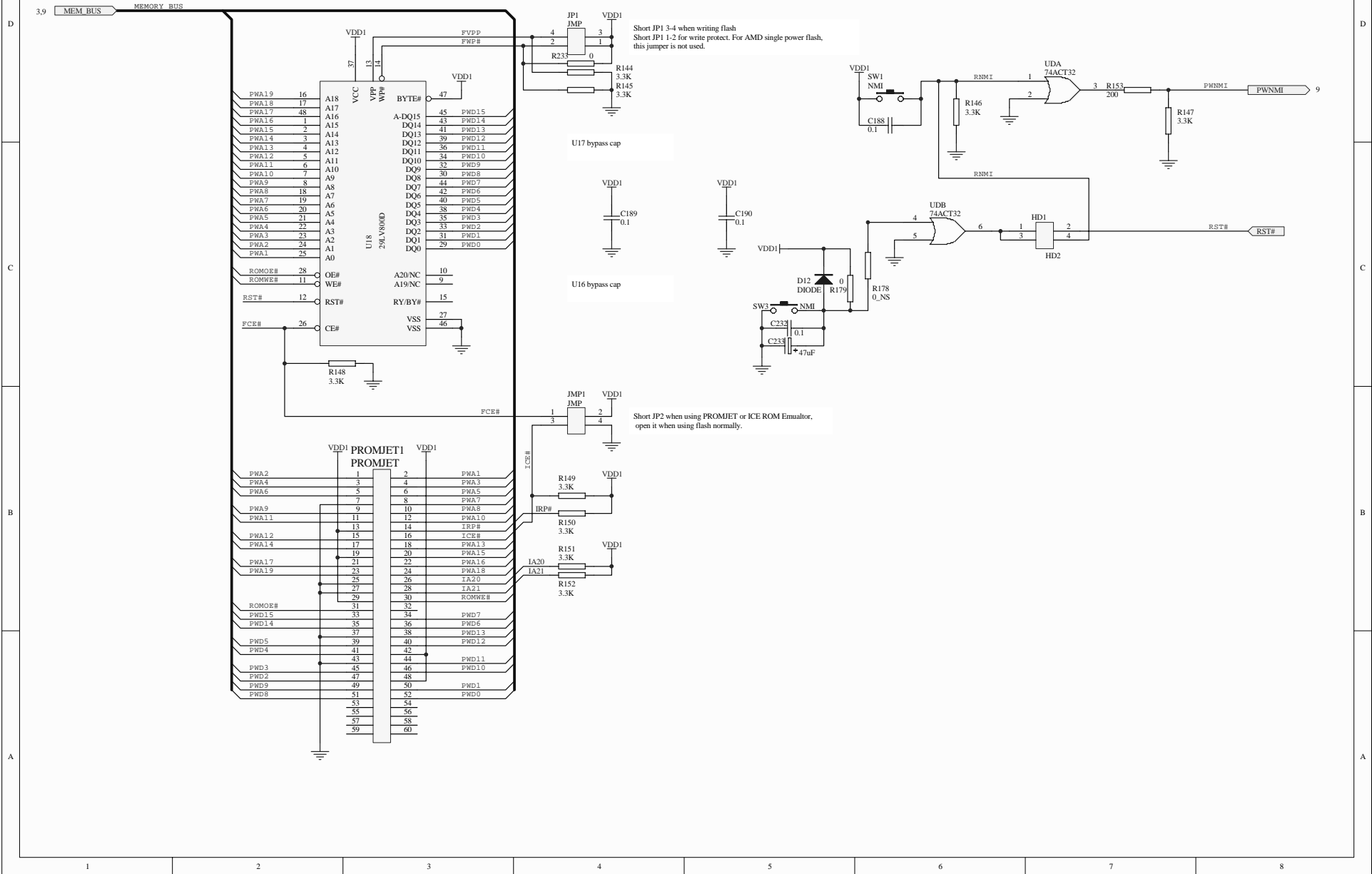


BELSON /BSV-2652 / Dpto. Técnico / Mayo 30-2005 / ed01

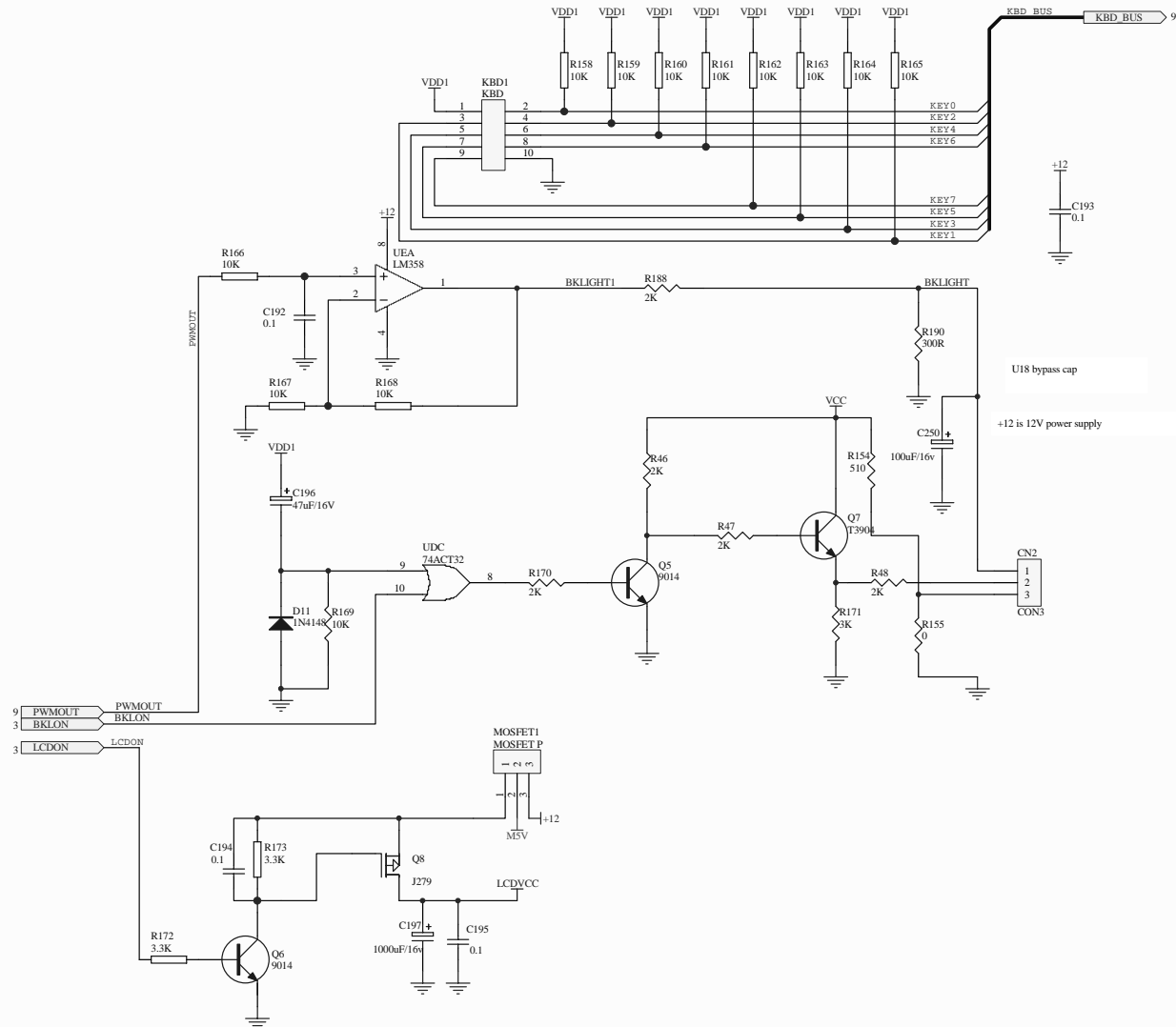




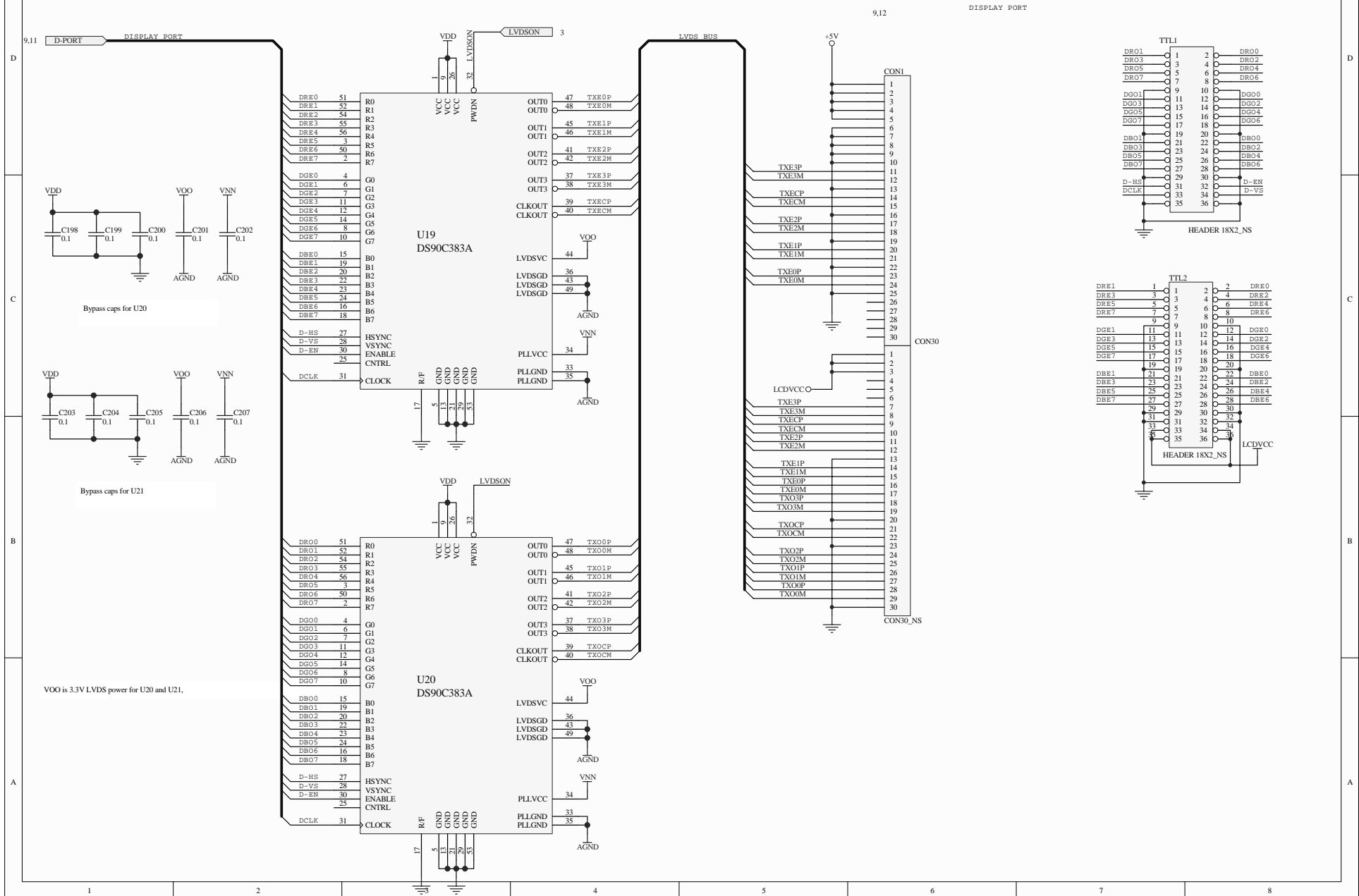
BELSON /BSV-2652 / Dpto. Técnico / Mayo 30-2005 / ed01



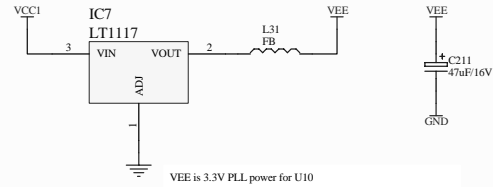
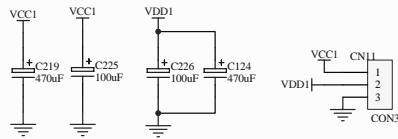
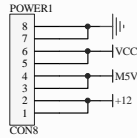
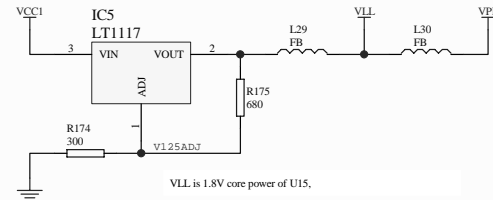
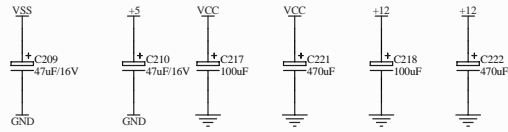
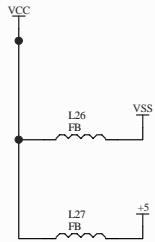
BELSON /BSV-2652 / Dpto. Técnico / Mayo 30-2005 / ed01



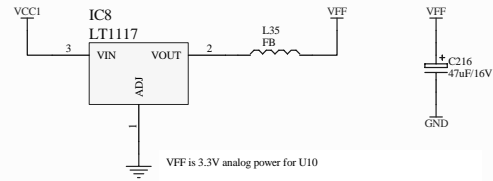
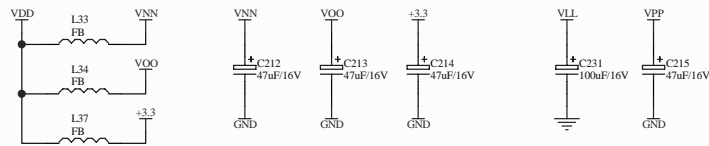
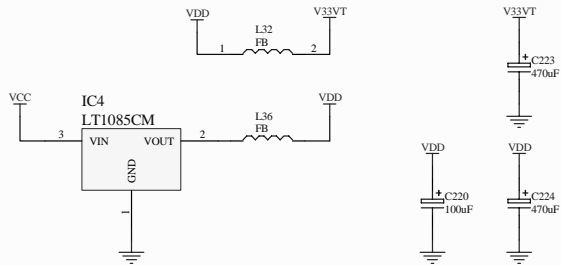
BELSON /BSV-2652 / Dpto. Técnico / Mayo 30-2005 / ed01



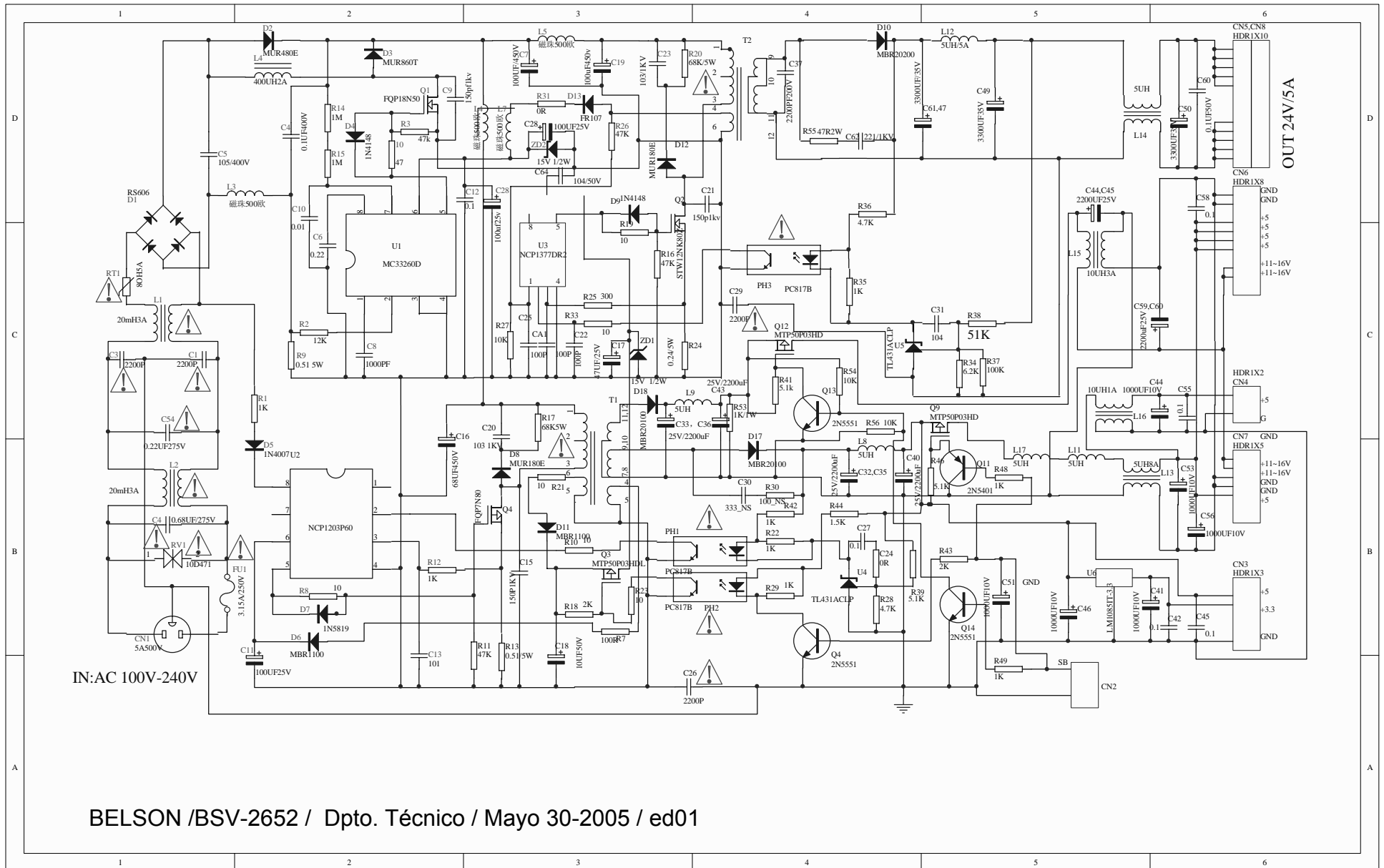
BELSON /BSV-2652 / Dpto. Técnico / Mayo 30-2005 / ed01



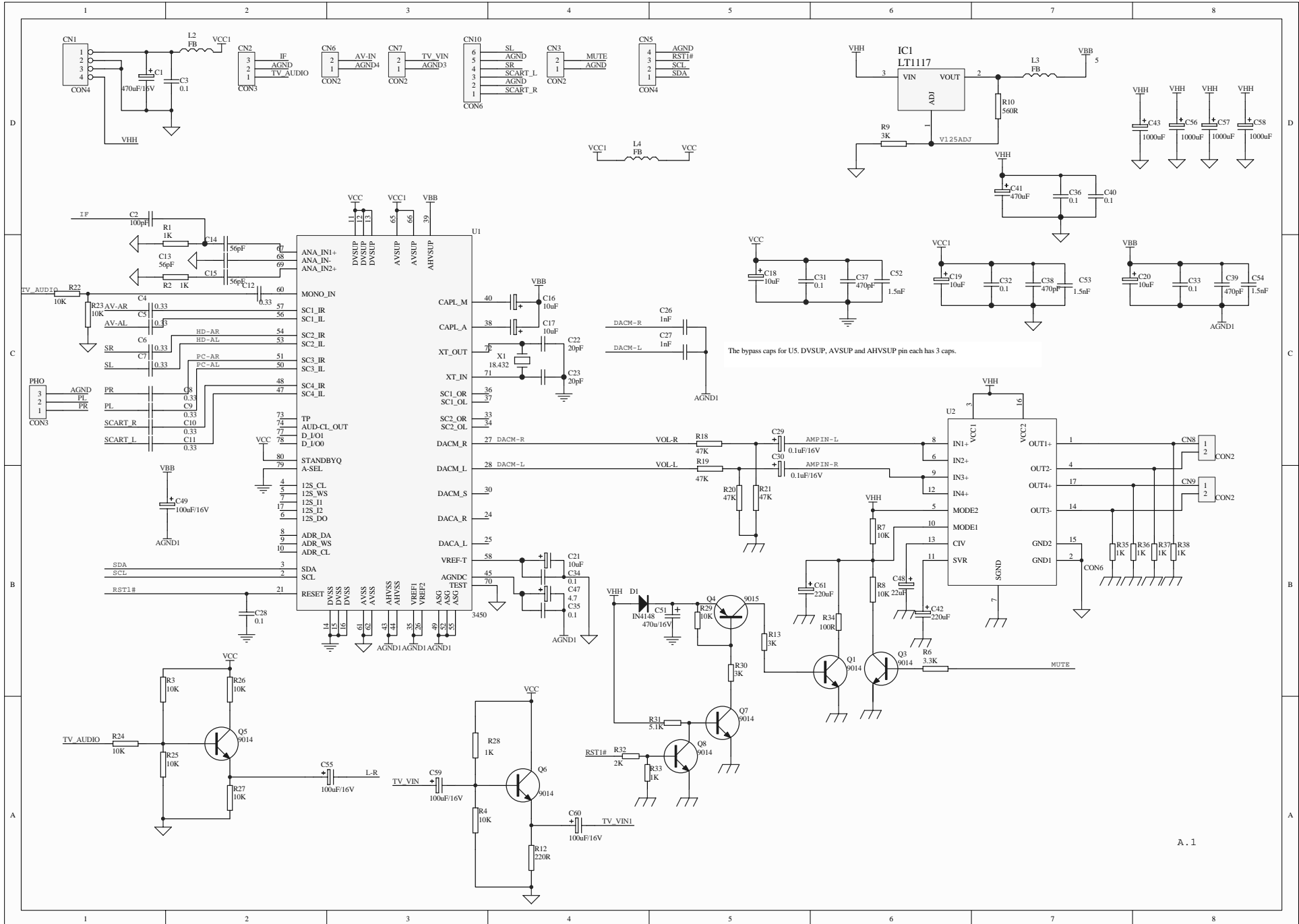
J28' and J28'' are supplementary power sockets



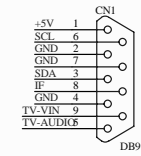
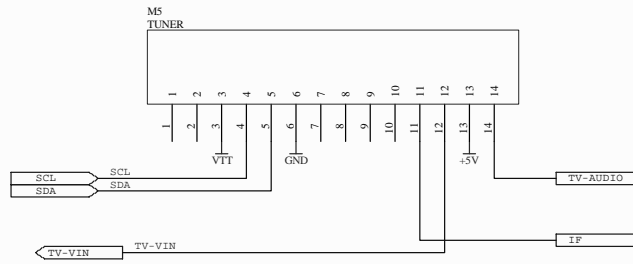
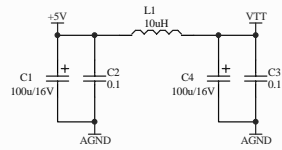
CK3 is the decoupling cap for VLL.

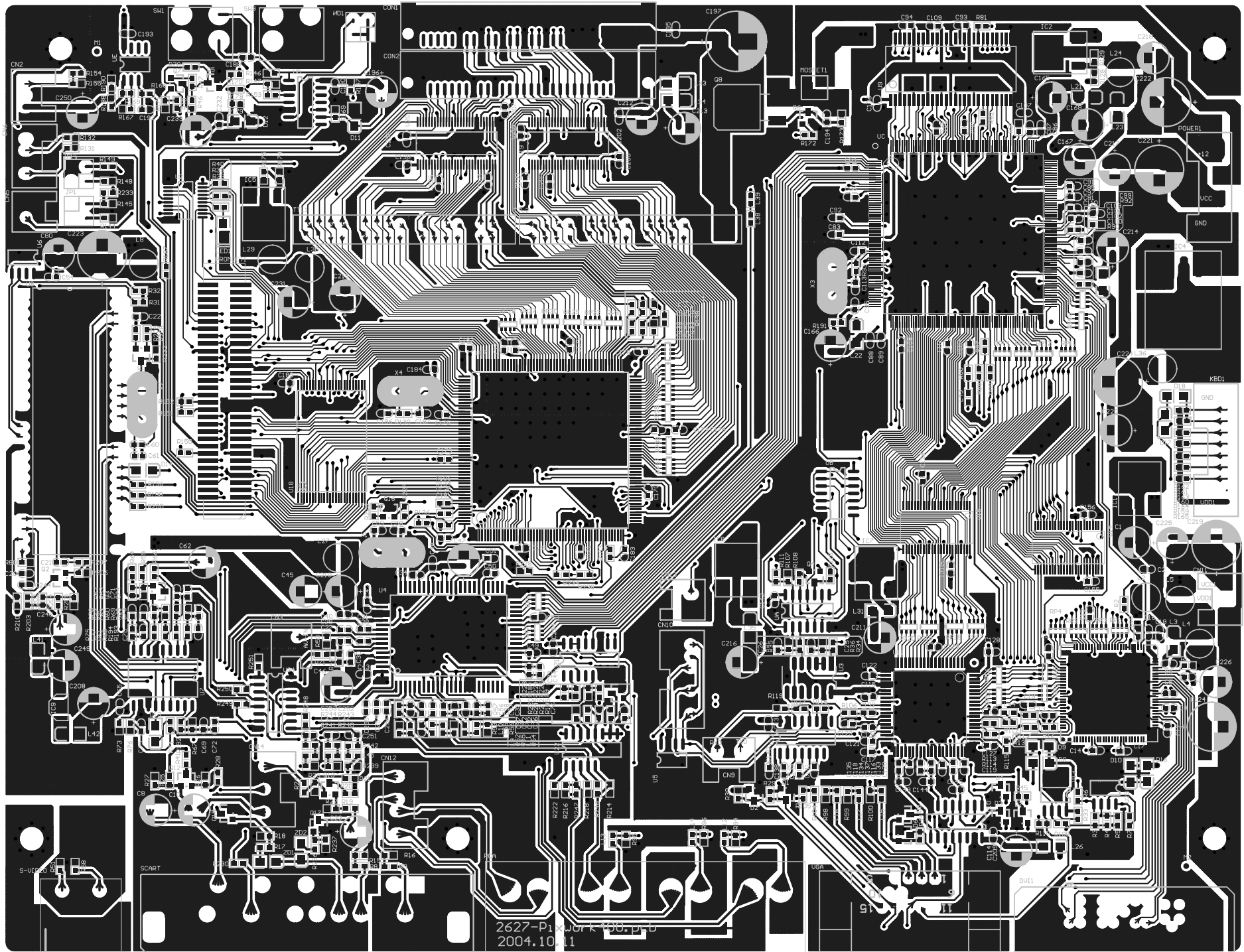


BELSON /BSV-2652 / Dpto. Técnico / Mayo 30-2005 / ed01



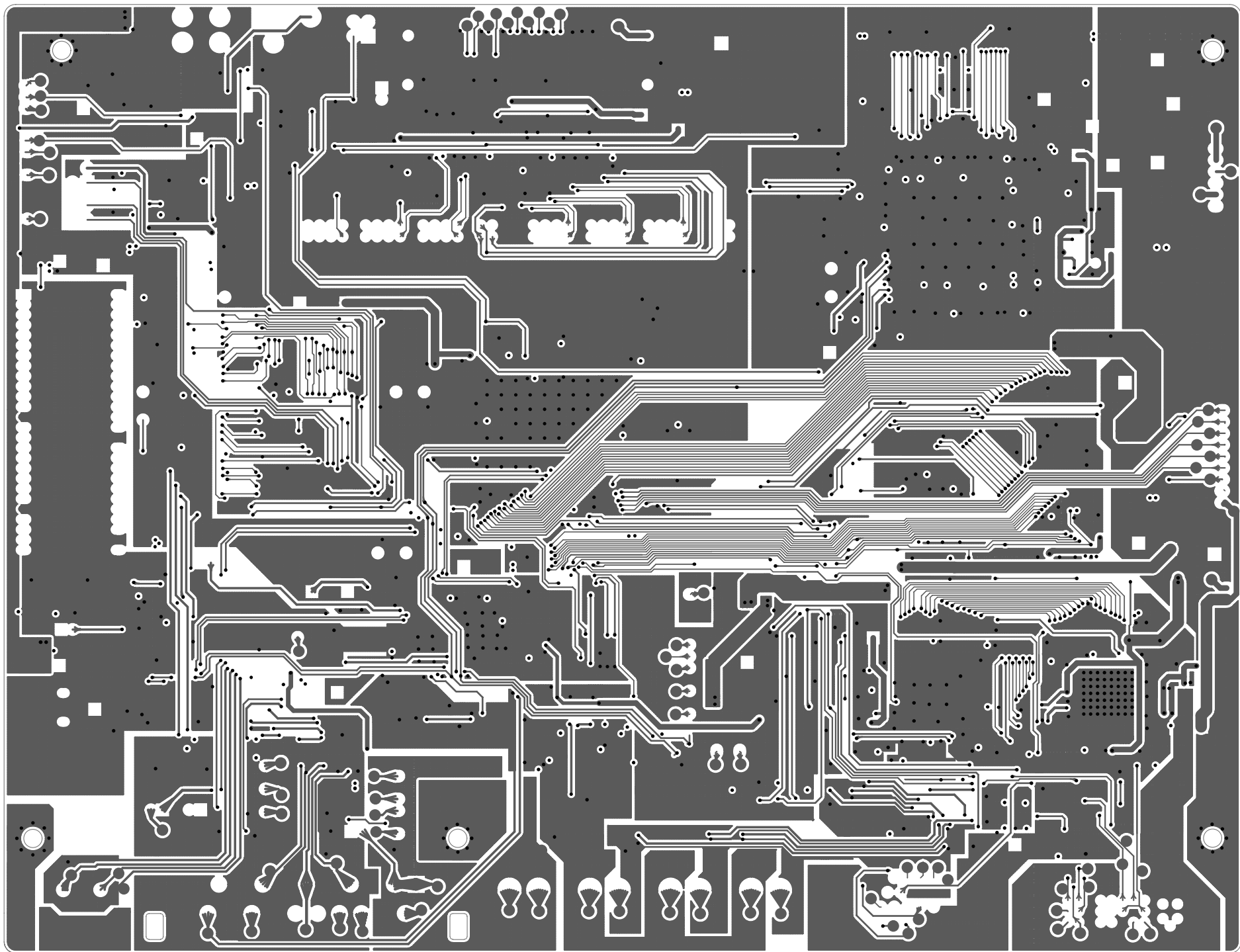
BELSON /BSV-2652 / Dpto. Técnico / Mayo 30-2005 / ed01

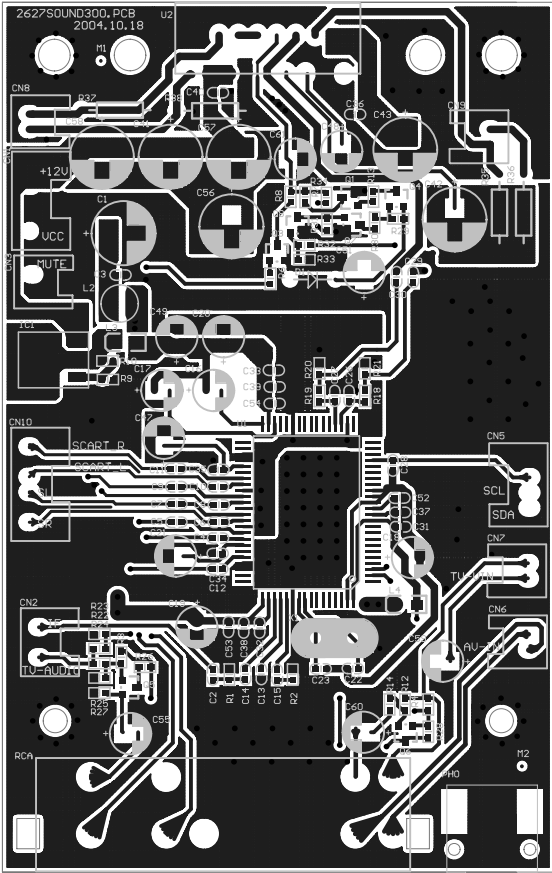




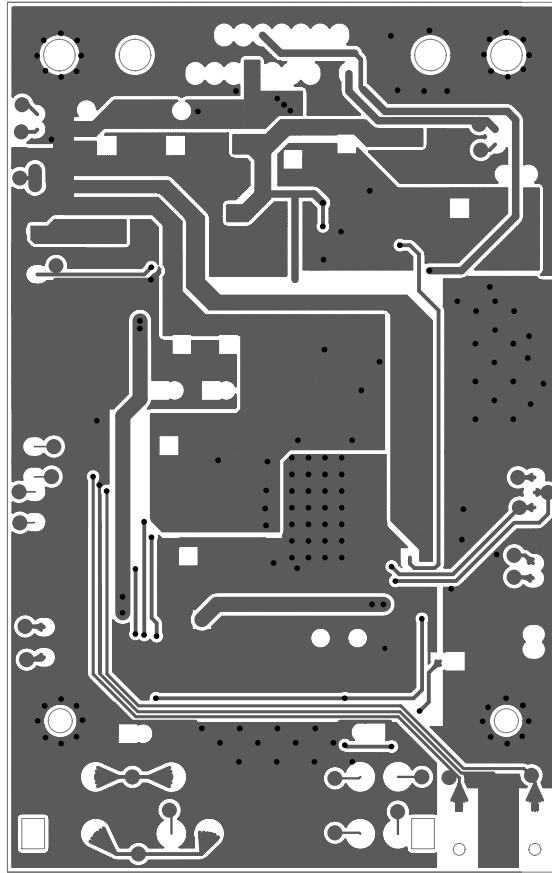
2627-PixWork-000.pcb
2004.10.11

2.5X1MM (3)

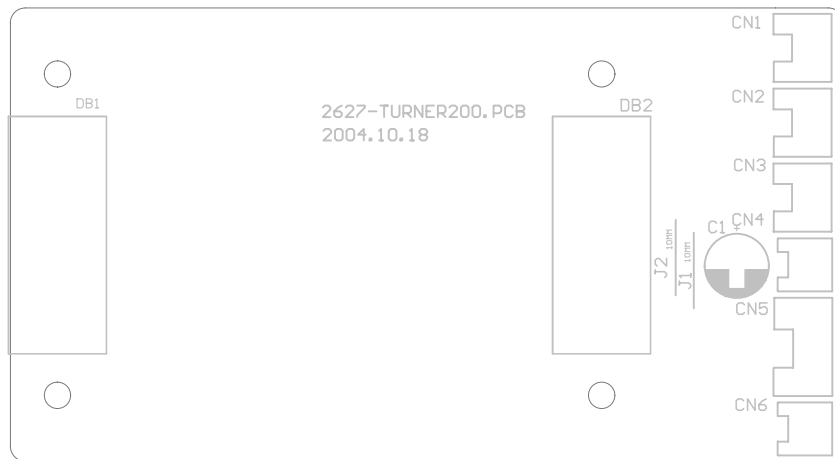




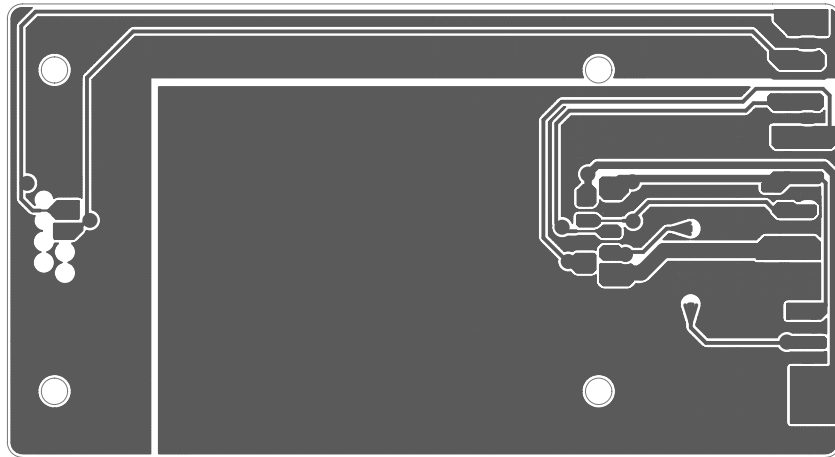
BELSON /BSV-2652 / Dpto. Técnico / Mayo 30-2005 / ed01



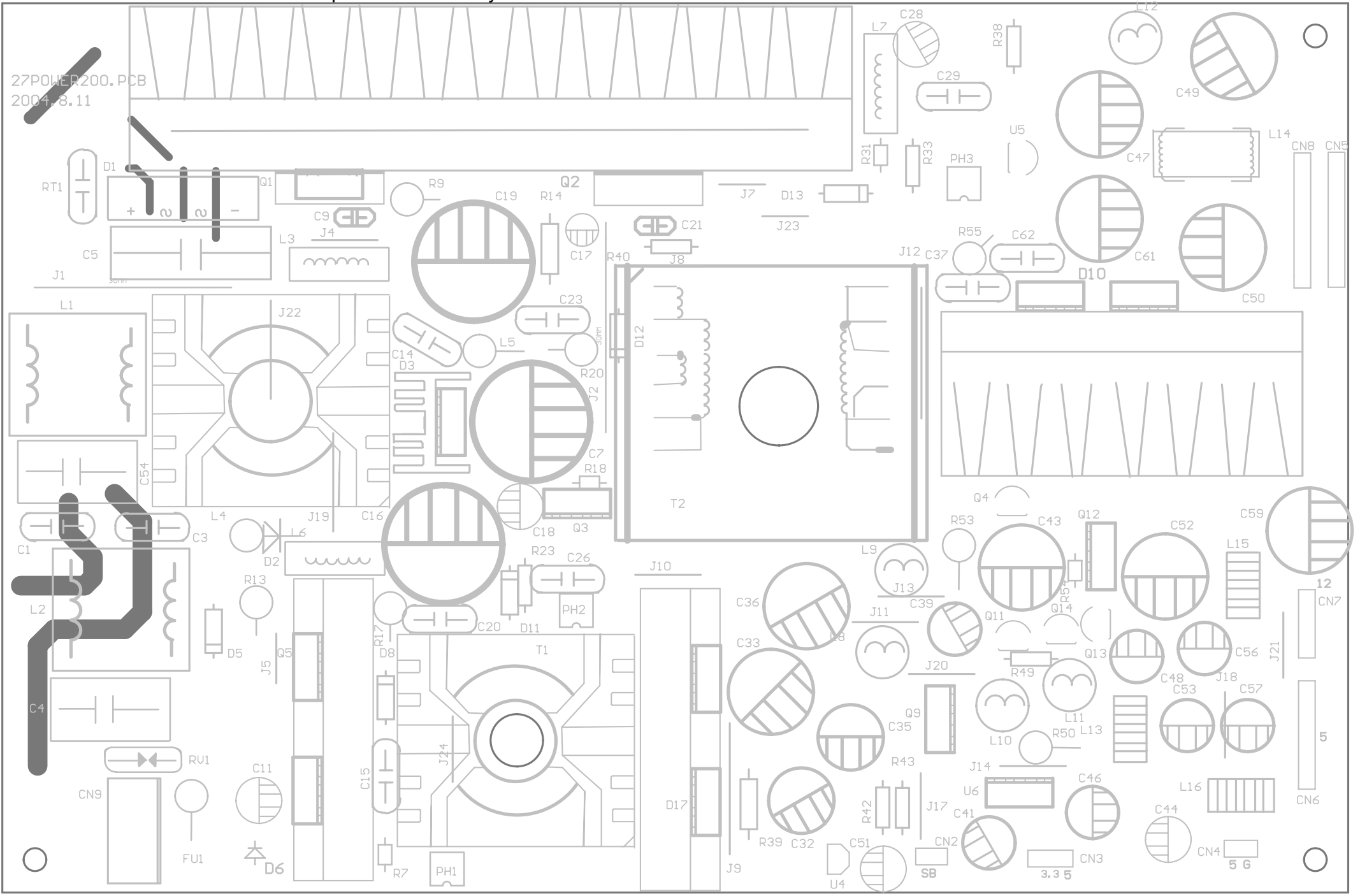
BELSON /BSV-2652 / Dpto. Técnico / Mayo 30-2005 / ed01

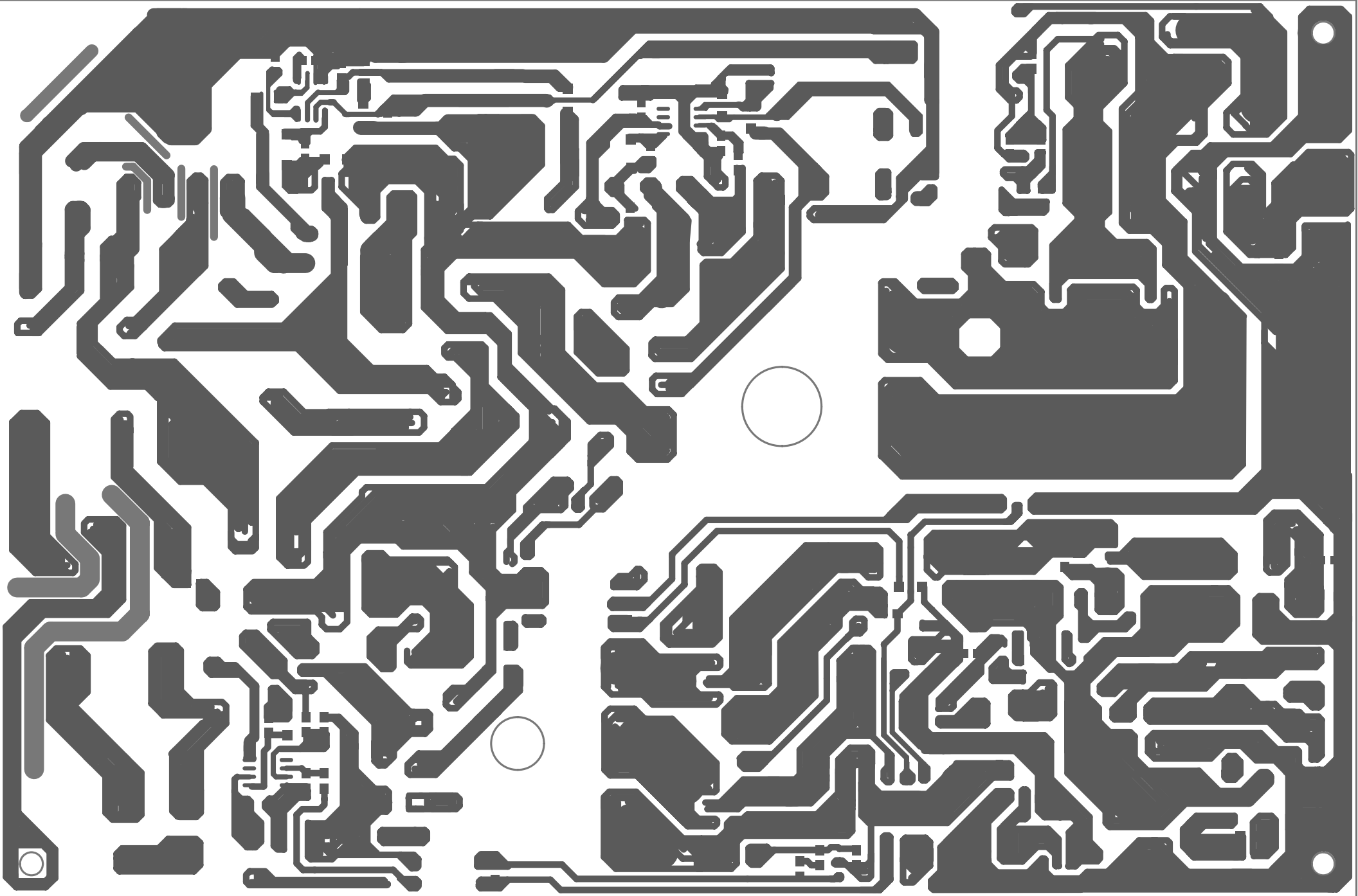


BELSON /BSV-2652 / Dpto. Técnico / Mayo 30-2005 / ed01

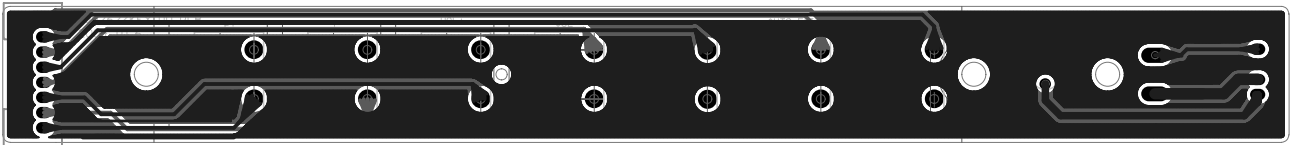


27POWER200.PCB
2004.8.11





BELSON /BSV-2652 / Dpto. Técnico / Mayo 30-2005 / ed01



BELSON /BSV-2652 / Dpto. Técnico / Mayo 30-2005 / ed01



BELSON /BSV-2652 / Dpto. Técnico / Mayo 30-2005 / ed01

405T150105700	TURNER. PCB	1.000	PCB				
413210450RZ00	CAP	2.000	C2, C3				
	50V-104-Z						
414133R10RM00	CAP-EL ϕ 4*7	2.000	C1, C4				
	CD110-10V-33uF-M						
420ET15010920	SOCKET	1.000	CN1				
	DB9						
429EC041010R0	INDUCTOR	1.000	L1				
	EC0410-100K 10uH 500mA						
4320006000500	WIRE 5mm	2.000	J4, J5				
4320006000750	WIRE 7.5mm	1.000	J3				
4320006001000	WIRE 10mm	1.000	J1				
4320006001250	WIRE 12.5mm	1.000	J2				
442JS6B312110	TUNER JS-6B3121/F2	1.000	TUNER				

BELSON /BSV-2652 / Dpto. Técnico / Mayo 30-2005 / ed01

7506T2601001F	MTV-2601B POWER PART	1.000					
4110PQ323A000	TRANSFORMER	1.000	T1				
	PQ32/30-40305A						
411EC42405250	TRANSFORMER	1.000	T2				
	KBEC42-40525B						
4121010118J40	CARBON RES	1.000	R7				
	1/8W-100 Ω -J						
4121010201J40	CARBON RES	1.000	R53				
	1W-1K-J						
4121010214J40	CARBON RES1/4W-1K Ω	1.000	R49				
4121010314J40	CARBON RES1/4W-10K Ω	1.000	R54				
4121010514J40	CARBON RES1/4W-1M Ω	1.000	R14				
4121010R14J40	CARBON RES1/4W-10 Ω	2.000	R23 R33				
4121020214J40	CARBON RES	2.000	R18 R43				
	1/4W-2K Ω -J						

4121024114J40	CARBON RES RT14-1/4W-240 Ω -J	1.000	R42				
4121051214J40	CARBON RES1/4W-5.1K Ω	1.000	R39				
4121051314J40	CARBON RES1/4W-51K Ω	1.000	R38				
4123068305J20	METAL OXIDE RES 5W-68K-J	2.000	R17 R20				
41230R3305J20	METAL OXIDE RES RY-5W-0.33 Ω -J	1.000	R40				
41230R5105J20	METAL OXIDE RES 5W-0.51R-J	1.000	R13				
4129008R05A00	HEAT VARIABLE RES 5A 8R DIP	1.000	RT1				
412A07D471K00	PIEZORESISTANCE ZOV-07D471K (HEL) DIP	1.000	RV1				
412A0R5105J00	WIREWOUND RES 5W-0.51 Ω -J	1.000	R9				
4130103102M03	HIGH VOLTAGE CERAMIC CAPACITOR 1KV-103-M	3.000	C14 C23 C20				

BELSON /BSV-2652 / Dpto. Técnico / Mayo 30-2005 / ed01

4130151102M00	HIGH VOLTAGE CERAMIC CAPACITOR	3.000	C9 C21,				
	1000V-151-M						
4136104271M02	X CAP	1.000	C4				
	AC275V-104-M (K)						
4136221401M00	Y CAP221 400V	3.000	C1, C3, C26				
4136222251M00	Y CAP	2.000	C29, C37				
	AC250V-222-M (K)						
4136684271M03	X CAP	1.000	C54				
	AC275V-684-M (K)						
4138105401K00	METAL MYLAR CAP	1.000	C5				
	400V-105-K						
4140101451M00	CAP- EL DL:18*35(105°)	2.000	C7 C19				
	CD11G-450V-100u-M						
414110125RM01	CAP-EL 105° high frequency LOW IMPEDANCER	4.000	C11 C17 C18 C28				
	CD11HL 25V-100uF-M						
414110210RM02	CAP-EL 105° high frequency LOW IMPEDANCER	7.000	C41 C44 C46 C51 C53 C56 C57				
	10V-1000uF-M						

BELSON /BSV-2652 / Dpto. Técnico / Mayo 30-2005 / ed01

414110216RM01	CAP-EL 105° high frequency LOW IMPEDANCER	1.000	C48				
	16V-1000uF-M						
414122225RM01	CAP-EL 105° high frequency LOW IMPEDANCER	8.000	C33 C36 C43 C52 C59 C32 C35 C39				
	25V-2200uF-M						
414133235RM00	CAP-EL 105° high frequency LOW IMPEDANCER	4.000	C47 C49 C50 C61				
	35V-3300uF-M Φ16*31						
414147R451M00	CAP-EL 105°	1.000	C16				
	450V-47uF-M						
4151000015070	CHIP ZENER 1206	1.000					
	15V 0.5W						
415300FR10740	DIODE FR107	1.000	D13 (OR 1N4935)				
415301N400720	DIODE (D015)	1.000	D5				
	1N4007						
41530UF400740	DIODE	2.000	D6 D11				
	UF4007						
4153MBR20100C	DIODE MBR20100CT T0-220	1.000	D17				

BELSON /BSV-2652 / Dpto. Técnico / Mayo 30-2005 / ed01

4153MBR20200C	DIODE MBR20200 TO-220	3.000	D10 D10 D18				
4153MUR180E00	DIODE MUR180E	2.000	D8 D12				
	D0-15						
4153MUR480E00	DIODE MUR480E	1.000	D2				
	D0-35						
4153MUR860T00	DIODE MUR860T	1.000	D3				
	TO-220						
41540KBU6J000	BRIDGE RECTIFIER (DIP) 800V	1.000	D1				
	KBU6J (RS606)						
416000050P030	MOSFET MTP50P03HDL	3.000	Q3 Q9 Q12				
	TO-220						
416002N540100	TRANSISTOR 2N5401	2.000	Q11 Q4				
416002N555100	TRANSISTOR 2N5551	2.000	Q13 Q14				
41602SK265100	MOSFET 2SK2651	1.000	Q5				
416FQP18N5000	MOSFET FQP18N50	1.000	Q1				
	TO-220						

BELSON /BSV-2652 / Dpto. Técnico / Mayo 30-2005 / ed01

416STW12NK800	MOSFET STW12NK80Z TO-3P	1.000	Q2				
41700000P6210	IC P621[SFH615A-3][PC817]	3.000	PH1 PH2 PH3				
4170000TL4310	IC TL431 DIP TO-92	2.000	U4 U5				
41700DF108410	IC(DIP) DF1084-3.3V TO-220	1.000	U6				
4222500315210	FUSE T3.15A 250V VDE/UL	1.000	FU1				
4290250100040	INDUCTOR 500 Ω (100MHz)	4.000	L3 L5 L6 L7				
42903040117B0	INDUCTOR PQ32/30-40117B	1.000	L4				
4290304021600	INDUCTOR EE25-40216	2.000	L1 L2				
42903100K5210	INDUCTOR T37-52-100K3A	2.000	L16 L15				
429035R0K5200	INDUCTOR T37-52-5R0K	1.000	L13				

BELSON /BSV-2652 / Dpto. Técnico / Mayo 30-2005 / ed01

42903B60974A0	INDUCTOR	1.000	L12				
	DQG-B6-0974A						
42903B61042A0	INDUCTOR	1.000	L9				
	DQG-B6-1042A						
42903B61043A0	INDUCTOR	3.000	L8 L10 L11				
	DQG-B6-1043A						
42903T1605640	INDUCTOR	1.000	L14				
	LCL-T16-0564						
42907RHM40203	magnetic loop	3.000	D3*2, Q1(S) * 1				
	RHM-004002003						
4320007000800	WIRE 8mm Φ 0.7	2.000	J7 J23				
4320007001000	WIRE10mm Φ 0.7	10.000	J4 J5 J8 J10 J11 J13 J14 J17 J18 R31				
4320007001500	WIRE15mm Φ 0.7	4.000	J22 J21 J20 J24				
4320007001700	WIRE17mm Φ 0.7	1.000	J19				
4320007002000	WIRE20mm Φ 0.7	2.000	J12 J9				

BELSON /BSV-2652 / Dpto. Técnico / Mayo 30-2005 / ed01

4320007003000	WIRE30mm Φ 0.7	1.000	J1				
437T300100260	LEAD WIRE 70mm	1.000	J2				
405T2701050A0	26"POWER200. PCB	1.000					
	2004. 8. 11						
412700R014J70	CHIP RES 1/4W-0 Ω 1206 J	2.000	R57 R58				
412700R01AJ60	CHIP RES 1/10W-0 Ω 0805	1.000	C27				
412701021AJ60	CHIP RES 1/10W-1K Ω 0805 J	4.000	R12 R22 R35 R48				
412701031AJ60	CHIP RES 1/10W-10K Ω 0805 J	4.000	R1, R27 R32 R56				
412701041AJ60	CHIP RES 1/10W-100K Ω 0805 J	1.000	R37				
4127010514J70	CHIP RES 1206	1.000	R15				
	1/4W-1M-J						
4127010R1AJ60	CHIP RES 1/10W-10 Ω 0805 J	4.000	R10 R4 R19, R8				

BELSON /BSV-2652 / Dpto. Técnico / Mayo 30-2005 / ed01

4127012314J70	CHIP RES 1206 1/4W-12K-J	1.000	R2				
4127015214J70	CHIP RES 1206 1/4W-1K5-J	1.000	R44				
412702021AJ60	CHIP RES 1/10W-2K Ω 0805 J	1.000	R29				
412703011AJ60	CHIP RES 1/10W-300 Ω 0805 J	1.000	R25				
412704721AJ60	CHIP RES 1/10W-4.7K Ω 0805 J	1.000	R28				
4127047314J70	CHIP RES 1206 1/4W-47K-J	1.000	R3				
412704731AJ60	CHIP RES 1/10W-47K Ω 0805 J	2.000	R11 R16				
412704731AJ70	CHIP RES 1206 1/4W-47K-J	1.000	R26				
412705121AJ60	CHIP RES 1/10W-5.1K Ω 0805 J	3.000	R46, R36, R41				
412706221AJ60	CHIP RES 1/10W-6.2K Ω 0805 J	1.000	R34				

BELSON /BSV-2652 / Dpto. Técnico / Mayo 30-2005 / ed01

4127075R1AJ70	CHIP RES 1/8W-75 Ω 1206 J	1.000	R21				
413510150RJ40	CHIP CAP 50V-100P 0805 J NPO	4.000	C13 B1 A1 25				
413510150RJ50	CHIP CAP 1206 50V-100P-J	1.000	C22				
413510250RK40	CHIP CAP 0805 50V-102-K	1.000	C8				
413510350RK40	CHIP CAP 0805 50V-10nF-K	1.000	C10				
413510450RZ40	CHIP CAP 50V-104 0805 Z	10.000	C12 24 31 42 45 55 58 60 62 63				
413522450RZ40	CHIP CAP 50V-224 0805 Z	1.000	C6				
4151000015070	CHIP ZENER 1206 15V 0.5W	2.000	ZD1 ZD2				
415201N414870	CHIP DIODE 1N4148 1206	3.000	D4 D9 D7				
41700001377B0	IC NCP1377B	1.000	U3				

	S08						
4170000332600	IC MC33260D	1.000	U1				
	S08						
41701203P6010	IC NCP1203D60R2	1.000	U2				
	SOP 8						
7516T2601000M	LCDTV-2627 KEY PCB PART	1.000					
40300T1701000	KEY	7.000	P+, P-, V-, V+, MENU, SOURCE, POWER				
	6*6*5mm						
4041920004010	SOCKET 4PIN/2.0	1.000	CN1				
4041920008010	SOCKET 8PIN/2.0	1.000	CN2				
405T27010513A	TVM2627KEY100.PCB	1.000					
	2004.10.6						
4105010300010	LED 3mm GREEN	1.000	LED				
43000000000080	IR	1.000	REMOUT				
7516T2701002F	MTV-2601 TUNER SWITCH PCB	1.000					
	provision						

BELSON /BSV-2652 / Dpto. Técnico / Mayo 30-2005 / ed01

4041920002010	SOCKET 2PIN/2.0	2.000	CN4, 6				
4041920003010	SOCKET 3PIN/2.0	3.000	CN1, 2, 3				
4041920005010	SOCKET 5PIN/2.0	1.000	CN5				
405T270105140	2627-TURNER300.PCB	1.000					
	2004. 10. 18						
414147116RM00	CAP-EL ϕ 8*12	1.000	C1				
	CD110-16V-470uF-M						
420ET15010910	SOCKET	1.000	DB2				
	DB-9A						
420ET15010920	SOCKET	1.000	DB1				
	DB9						
4320005001000	WIRE 10mm	2.000	J1、 J2				
7536T2601004F	LCDTV-2601 MAINBOARD	1.000					
	AMSTRAD						
4041920002010	SOCKET 2PIN/2.0	3.000	CN5, CN3, CN13				

BELSON /BSV-2652 / Dpto. Técnico / Mayo 30-2005 / ed01

4041920003010	SOCKET 3PIN/2.0	3.000	CN9, CN11, CN2				
4041920004010	SOCKET 4PIN/2.0	1.000	CN6				
4041920005010	SOCKET 5PIN/2.0	1.000	CN14				
4041920006010	SOCKET 6PIN/2.0	1.000	CN12				
4041920007010	SOCKET 7PIN/2.0	1.000	CN10				
4041920008010	SOCKET 8PIN/2.0	1.000	POWER1				
4041920010010	SOCKET 10PIN/2.0	1.000	KBD1				
414110116RM00	CAP-EL 16V-100uF M ϕ 6*7	15.000	C62 80 C168, 208 C217, 218 C220, C225, C226, C231 246 249				
			C10, 23 250				
414110210RM00	CAP-EL	1.000	C197				
	10V-1000uF-M						
414110R16RM00	CAP-EL	3.000	C45-C47				

	16V-10uF-M						
41412R216RM00	CAP-EL 16V-2. 2uF-M	1. 000	C233				
414147110RM00	CAP-EL 470uF 10V M ϕ 8*7mm	1. 000	C8				
414147116RM00	CAP-EL CD110-16V-470uF-M	6. 000	C124, C219, C221-224				
414147R16RM00	CAP-EL 16V-47uF M ϕ 5*7	13. 000	C1, C165-167, 196 C209-C216				
417000078L050	IC 78L05	1. 000	IC9				
417005264PS10	IC SAA5264PS/M3/0104	1. 000	U8				
4202T30011210	RCA SOCKET AV8-8. 4-7	1. 000	RGA				
420AD10006110	S SOCKET DSW-06P	1. 000	S-VIDEO				
420BT15012110	SCART RC-2105	1. 000	SCART				
420DT15011510	SOCKET	1. 000	VGA				

BELSON /BSV-2652 / Dpto. Técnico / Mayo 30-2005 / ed01

	DB-15						
420JT3001DVIO	DVI SOCKET D-SUBH. D. R/A8. 89mm	1.000	DVI1				
424000006101A	OSCILLATOR <49S> -10°C---80°C 10M(+20PPM, 20PF)	1.000	X3				
424000006124A	OSCILLATOR<49S>-10°C---80°C 12MHz (20PF, +-20PPM)	1.000	X2				
424000256201A	OSCILLATOR <49S>-10°C---80°C 20.25M(+20PPM, 20PF)	1.000	X1				
424003186142A	OSCILLATOR <49S> -10°C---80°C 14.31818M(+15PPM, 20PF)	1.000	X4				
405T270105330	2627-pixwork400 PCB	1.000					
4105010300060	LED 0805 GREEN SA0805G1C-1A-01	1.000	LED1				
412700R014J70	CHIP RES 1/4W-0 Ω 1206 J	1.000	L29				
412700R01AJ80	CHIP RES 1/10W-0 Ω 0603J	15.000	R40, R66, R70, R81, R82, R142, R143, R178, 187, R19, R233, R245-247, R41				

412701011AJ80	CHIP RES 1/10W-100 Ω 0603 J	2.000	R59 R204				
412701021AJ80	CHIP RES 1/10W-1K Ω 0603 J	10.000	R2, 8, 9, 22, 24, R134, 186 208 209 226				
412701031AF80	CHIP RES 1/10W-10K 0603 F	2.000	R73 232				
412701031AJ80	CHIP RES 1/10W-10K Ω 0603 J	29.000	R29-32, R118, 119 R159-169, 179 183 185 191 R210, 228				
			R15, 16, R21, 23, 18, 237				
412701221AJ80	CHIP RES 1/10W-1.2K Ω 0603 J	1.000	R71				
412702011AJ80	CHIP RES 1/10W-200 Ω 0603 J	3.000	R116, R117, R153				
412702021AJ80	CHIP RES 1/10W-2K Ω 0603 J	8.000	R44-R48, R170, R188, R49				
412702211AJ80	CHIP RES 1/10W-220 Ω 0603 J	1.000	R26				
412702221AJ80	CHIP RES 1/10W-2.2K Ω 0603 J	5.000	R36, R37, R17, R230, R236				
412702231AJ80	CHIP RES 1/10W-22K Ω 0603 J	2.000	R63 R205				

BELSON /BSV-2652 / Dpto. Técnico / Mayo 30-2005 / ed01

412702251AJ80	CHIP RES 0603 1/10W-2.2M-J	2.000	R93, R130				
4127022R1AJ80	CHIP RES 1/10W-22 Ω 0603 J	2.000	R34, R35				
412702431AJ80	CHIP RES 1/10W-24K Ω 0603 J	2.000	R80 R27				
412703011AJ80	CHIP RES 1/10W-300 Ω 0603 J	5.000	R92, R128, R129, R190, R174				
412703321AJ80	CHIP RES 1/10W-3.3K Ω 0603 J	24.000	R90, R91, R104-R111, R135-R137, R144-R148, R171-R173, R227, R234, 238				
412704711AJ80	CHIP RES 1/10W-470 Ω 0603 J	15.000	R60, R61, 67-69 R132, R133 192-194 196 198 200 206 207				
4127047R1AJ80	CHIP RES 1/10W-47 Ω 0603 J	16.000	R12-R13, R64, R87, R88, R89, R112-R115, R138, R141 203, 20, R28, L38				
412705121AJ80	CHIP RES 1/10W-5.1K Ω 0603 J	1.000	R25				
412705621AJ80	CHIP RES 1/10W-5.6K Ω 0603 J	2.000	R62 R202				
412706811AJ80	CHIP RES 1/10W-680 Ω 0603 J	4.000	R1, R38, R39, R175				

BELSON /BSV-2652 / Dpto. Técnico / Mayo 30-2005 / ed01

412706821AJ80	CHIP RES 1/10W-6.8K Ω 0603 J	3.000	R75, R131, R251				
412707511AJ80	CHIP RES 1/10W-750 Ω 0603 J	1.000	L43				
4127075R1AJ80	CHIP RES 1/10W-75 Ω 0603 J	24.000	R50-R57, R58 R74, R76 R94-R96, R98-R100, R239-244, R184				
413510250RK60	CHIP CAP 0603 50V-102-K	5.000	C31-C34, C137				
413510450RZ60	CHIP CAP 50V-104 0603 Z	114.000	C2, C4-6, C9, C11-22, C48-54, C63, C65, C67, C81-97, C99-110, C138-142, 155-156 C169-C179, C181-185, C188-C190, C114-123, C126-129, C131 C192-C195, C198-C207, C232, C234, C244				
413515R50RJ60	CHIP CAP 50V-15P 0603 J NPO	3.000	C143-145				
413520R50RJ60	CHIP CAP 50V-20P 0603 J NPO	8.000	C58-61, C112, 113, 186, 187				
413522416RZ60	CHIP CAP 16V-0.22u 0603 Z	11.000	C36-C40, C72-C74, C254-256				
413522R50RJ60	CHIP CAP 50V-22P 0603 J NPO	2.000	C25, C26				

BELSON /BSV-2652 / Dpto. Técnico / Mayo 30-2005 / ed01

413533150RK60	CHIP CAP 50V-330P 0603 K	6.000	C55-C57 C251-253				
413533R50RJ60	CHIP CAP 50V-33P J 0603 NPO	4.000	C69, 70, 71, 75				
413539250RK60	CHIP CAP 50V-392 0603 K	1.000	C132				
413539350RZ60	CHIP CAP 0603	1.000	C136				
	50V-39nF-Z						
413547350RZ60	CHIP CAP 0603	6.000	C42-C44, C133-C135				
	50V-47n-Z						
413568250RK60	CHIP CAP 0603	1.000	C77				
	50V-6.8nF-K						
413568350RZ60	CHIP CAP 50V-0.068 μ 0603 Z	1.000	C78				
413568410RZ60	CHIP CAP 0603	4.000	C27-C30				
	10V-0.68uF-Z						
4151000002770	CHIP ZENER 1206	1.000	ZD2				
	2.7V 1/2W						
4151000006370	CHIP ZENER 1206	1.000	ZD1				

BELSON /BSV-2652 / Dpto. Técnico / Mayo 30-2005 / ed01

	6.3V 1/2W						
415200BAV9960	DIODE (SOT-23B)	7.000	D1-D7				
	BAV99						
415201N414870	CHIP DIODE 1N4148 1206	6.000	D11-14 17 18				
4160000901421	CHIP TRANSISTOR (SOT23)	11.000	Q2-7, Q12-13, Q15, Q17, Q9				
	9014 NPN						
4160000901520	CHIP TRANSISTOR 9015	2.000	Q1 16				
416PCHAN20P03	MOSFET P-CHANNEL T0-252	1.000	Q8				
	MTD20P03HDLT4/25P03						
417000024C320	IC (S08)	1.000	U5				
	24C32						
4170000AC3200	IC (S014)	1.000	UD				
	AC32						
4170000LM3580	IC (S0-8)	1.000	UE				
	LM358						
41700074HC140	IC 74HC14[SOP]	1.000	U3				
417000EP16110	IC (TQFP100)	1.000	U1				

BELSON /BSV-2652 / Dpto. Técnico / Mayo 30-2005 / ed01

	SII1161/EP1611						
417000HC37400	IC (SSOP20) HC374	1.000	U2				
4170074LV1260	IC (S014) SN74LV126	2.000	UB UA				
41700AMS11170	IC AMS1117[SOP]3.3V	3.000	IC1, IC7, IC8				
41700APL11170	IC APL1117ADJ[SOT-223]	2.000	IC2, IC5				
41700Z8622910	IC Z86229 S018	1.000	U7				
417024LC21A00	IC (S08) 24LC21A	1.000	U13				
41704M000161A	IC (TSOP54) HY57V641620HG 4M*16 SDRAM 7ns	1.000	U9				
4170LV800DT10	IC (TSOP48) AM29LV800DT-90EC	1.000	U18				
4170LVC162440	IC (TSSOP48) LVC16244	2.000	U14, U15				
4170MAX232A00	IC (S016)	1.000	U12				

	MAX232A						
4170MST988310	IC (LQFP80)	1.000	U11				
	MST9883B-C (/110)						
41763LVDM8310	IC THC63LVDM83A	1.000	U19				
	THINE						
417AZ1084S3V3	IC (TO-263)	1.000	IC4				
	AZ1084S-3.3V						
417FSAV330M10	IC (S016)	2.000	U10 U24				
	P15V330/FSAV330M						
417PW11320Q10	IC PW113-20Q [PQFP208]	1.000	U17				
417PW12350010	IC PW1235 [PQFP256]	1.000	UC				
417S0AT24C160	IC AT24C16 S08M1	1.000	U6				
417S0HCF40520	IC HCF4052 SOP	1.000	U21				
417VPC3230D10	IC VPC3230D PQFP80	1.000	U4				
420FT15013010	SOCKET	1.000	CON1				

BELSON /BSV-2652 / Dpto. Técnico / Mayo 30-2005 / ed01

	DF14-30S-1.25C						
42847R0082010	CHIP RES 0603	26.000	RP1-RP20 RP33-38				
	47 Ω *4						
429025R6K0010	CHIP INDUCTOR 1210	8.000	L2 4 5 8 24 27 30 36				
	DR43-5R6K						
429042R2J7010	CHIP INDUCTOR 1210	12.000	L3 21-23 26 31 33-35 37 41 42				
	ALM322522-2R2K						
429043R3J8011	CHIP INDUCTOR 0603	7.000	L9-L11, L39, L45-47				
	3.3uH-J						
4290511R08010	CHIP INDUCTOR 0603	7.000	L12-17, 44				
	11 OHM@100MHz						
4290512108010	CHIP INDUCTOR 0603	1.000	R11				
	BK1608HM121-T						
4290550108010	CHIP INDUCTOR 500 Ω 0603	1.000	R86				
7596T2701003F	2601B SOUND PCB	1.000					
4041920002010	SOCKET 2PIN/2.0	5.000	CN3, CN6-CN9				
4041920003010	SOCKET 3PIN/2.0	1.000	CN2				

BELSON /BSV-2652 / Dpto. Técnico / Mayo 30-2005 / ed01

4041920004010	SOCKET 4PIN/2.0	1.000	CN5				
4041920005010	SOCKET 5PIN/2.0	1.000	CN1				
4041920006010	SOCKET 6PIN/2.0	1.000	CN10				
4121010214J40	CARBON RES 1/4W-1KΩ	4.000	R35-R38				
414022125RM00	CAP-EL 25V-220uF M	1.000	C42				
41404R716RM00	CAP-EL 16V-4.7uF M	1.000	C47				
414110116RM00	CAP-EL 16V-100uF M φ6*7	5.000	C49 C55 C59 C60 C61				
414110R16RM00	CAP-EL 16V-10uF-M	6.000	C16-21				
414122R16RM00	CAP-EL φ5*11 CD110-16V-22uF-M	1.000	C48				
414147125RM00	CAP-EL 25V-470uF M ≤ φ8*15	7.000	C1, C41, C43, C56, 57, 58, C51				

BELSON /BSV-2652 / Dpto. Técnico / Mayo 30-2005 / ed01

415201N414840	DIODE 1N4148	1.000	D1				
417TDA8947J10	IC TDA8947J SOT243-1	1.000	U2				
4202T30011310	RCA SOCKET AV6-8. 4-20	1.000	RCA				
4204T15010310	EAR SOCKET EJ-0357-3P	1.000	PH0				
424004326183A	OSCILLATOR49S -10°C---80°C 18.432MHz ±15PPM, 15P	1.000	X1				
405T2701059B0	2627SOUND300. PCB	1.000					
412700R01AJ80	CHIP RES 1/10W-0 Ω 0603J	1.000	R26				
412701021AJ80	CHIP RES 1/10W-1K Ω 0603 J	5.000	R1, R2, R24, R27, R33				
412701031AJ80	CHIP RES 1/10W-10K Ω 0603 J	6.000	R3, R7, R8, R25, R29, R34				
412702021AJ80	CHIP RES 1/10W-2K Ω 0603 J	1.000	R30				

412702211AJ80	CHIP RES 1/10W-220 Ω 0603 J	1.000	R12				
412702231AJ80	CHIP RES 1/10W-22K Ω 0603 J	1.000	R4				
412703021AJ80	CHIP RES 1/10W-3K Ω 0603 J	3.000	R6, R9, R13				
412704731AJ80	CHIP RES 1/10W-47K Ω 0603 J	4.000	R18-R21				
4127047R1AJ80	CHIP RES 1/10W-47 Ω 0603 J	1.000	R14				
412705121AJ80	CHIP RES 1/10W-5.1K Ω 0603 J	2.000	R31 R32				
412705611AJ80	CHIP RES 1/10W-560 Ω 0603 J	1.000	R10				
412705621AJ80	CHIP RES 1/10W-5.6K Ω 0603 J	1.000	R28				
413510150RJ60	CHIP CAP 50V-100P 0603 J NPO	1.000	C2				

413510250RK60	CHIP CAP 0603 50V-102-K	2.000	C26, C27				
413510425RZ60	CHIP CAP 25V-104 0603 Z	11.000	C3, C28-C36, C40				
413515250RK60	CHIP CAP 50V-1500P 0603 K	3.000	C52-C54				
413520R50RJ60	CHIP CAP 50V-20P 0603 J NPO	2.000	C22, C23				
413533416RZ60	CHIP CAP 0603 16V-0.33uF-Z	9.000	C4-C12				
413547150RK60	CHIP CAP 50V-470P 0603 K	3.000	C37-C39				
413556R50RJ60	CHIP CAP 50V-56P 0603 J NPO	3.000	C13-C15				
4160000901421	CHIP CAP (SOT23) 9014 NPN	6.000	Q3, Q5, Q6, Q1, Q7, Q8				
4160000901520	CHIP TRANSISTOR 9015	1.000	Q4				
41700APL11170	IC APL1117ADJ[SOT-223]	1.000	IC1				

BELSON /BSV-2652 / Dpto. Técnico / Mayo 30-2005 / ed01

417MSP3450G10	IC MSP3450G-QA-C12-001	1.000	U1				
	[PQFP80]						
429025R6K0010	CHIP INDUCTOR 1210	1.000	L2				
	DR43-5R6K						
429042R2J7010	CHIP INDUCTOR 1210	2.000	L3, L4				
	ALM322522-2R2K						