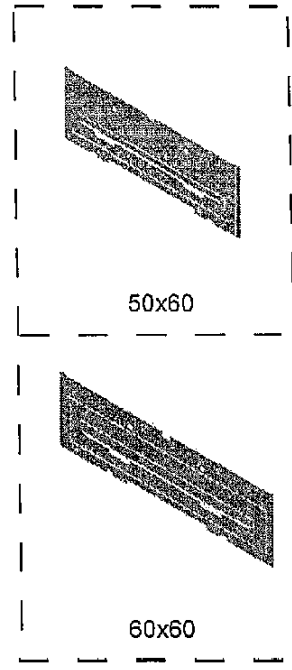
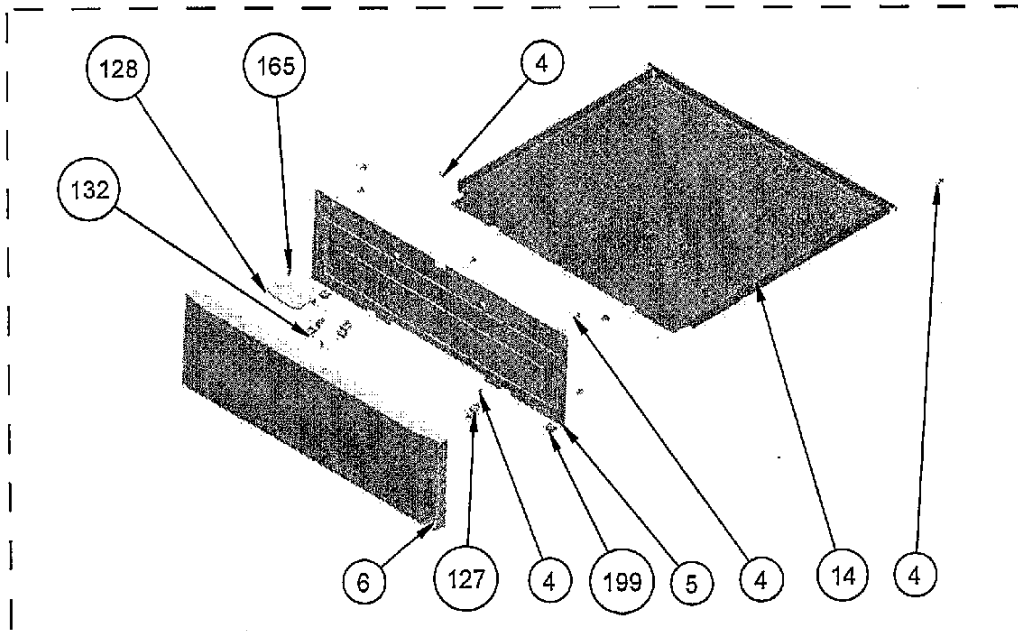


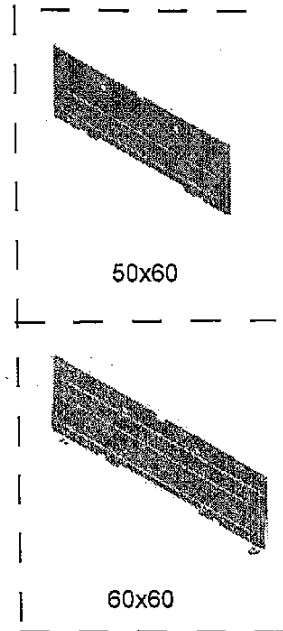
WARMER DRAWER ASSEMBLY



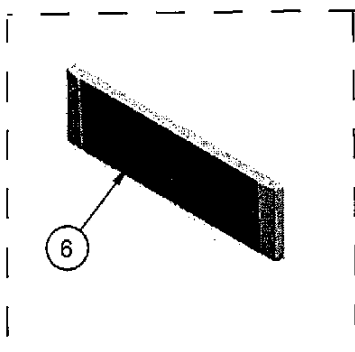
WARMER DRAWER INNER COVER



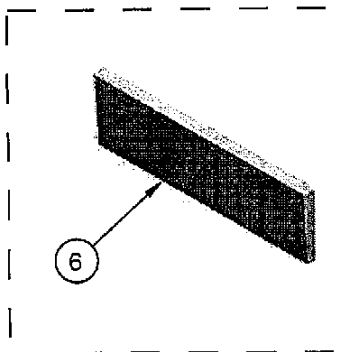
FLAP DRAWER ASSEMBLY (OPTIONAL)



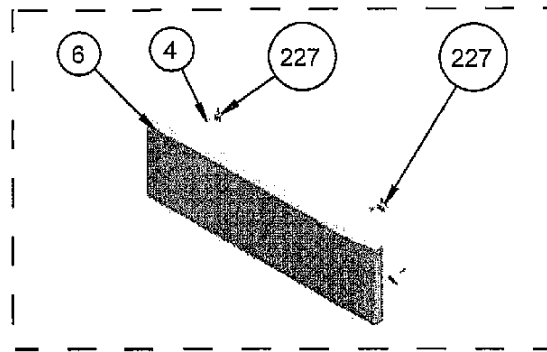
FLAP DRAWER INNER COVER



3D GLASS DRAWER PANEL (OPTIONAL)

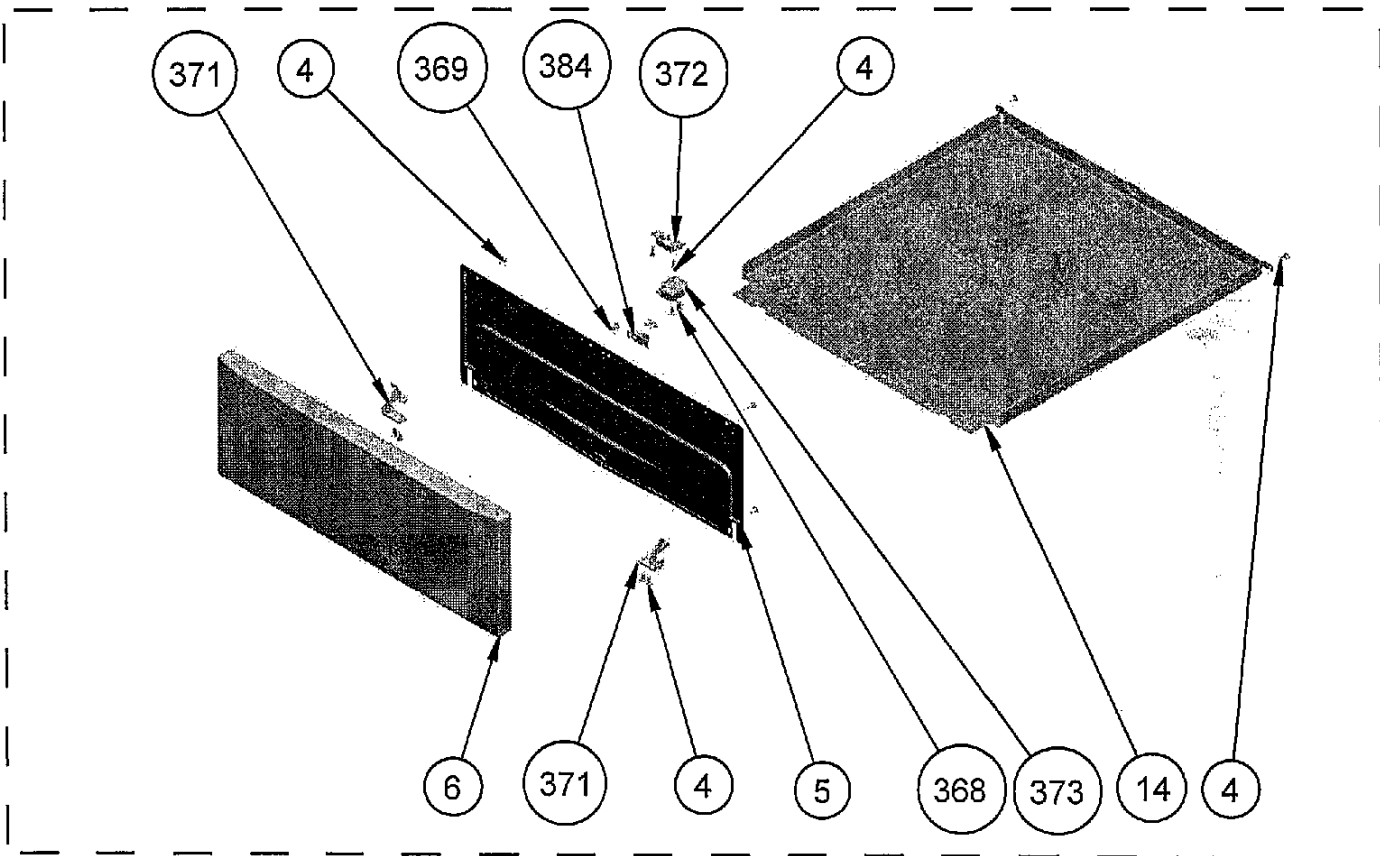


FLAT DRAWER PANEL (OPTIONAL)

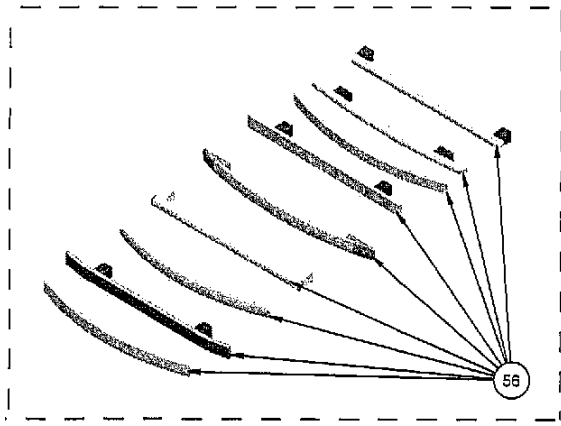


FIXED DRAWER ASSEMBLY (OPTIONAL)

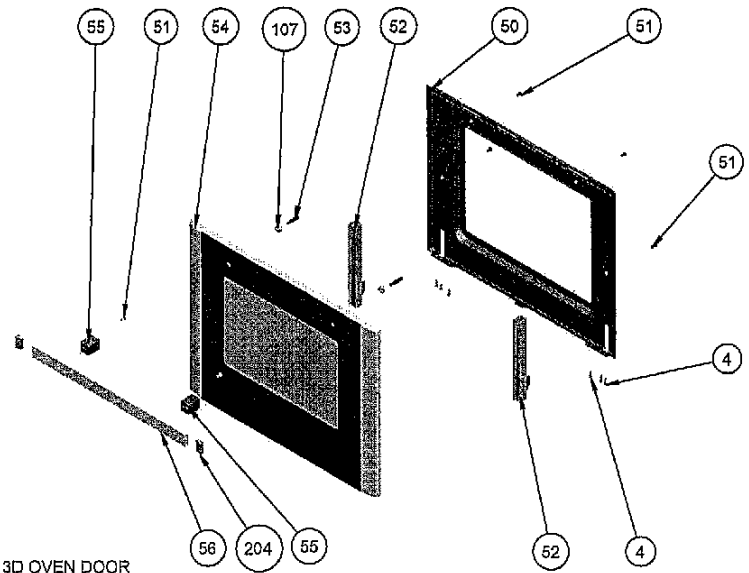
EXPLODED VIEW - DRAWER ASSEMBLY



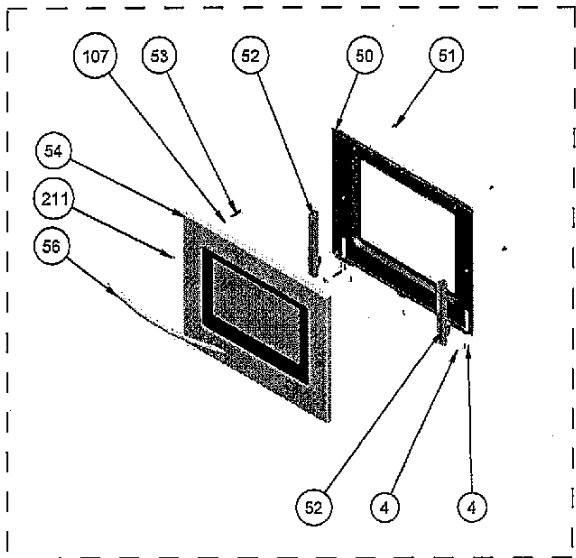
PUSH-PULL FLAP DRAWER ASSEMBLY
(OPTIONAL)



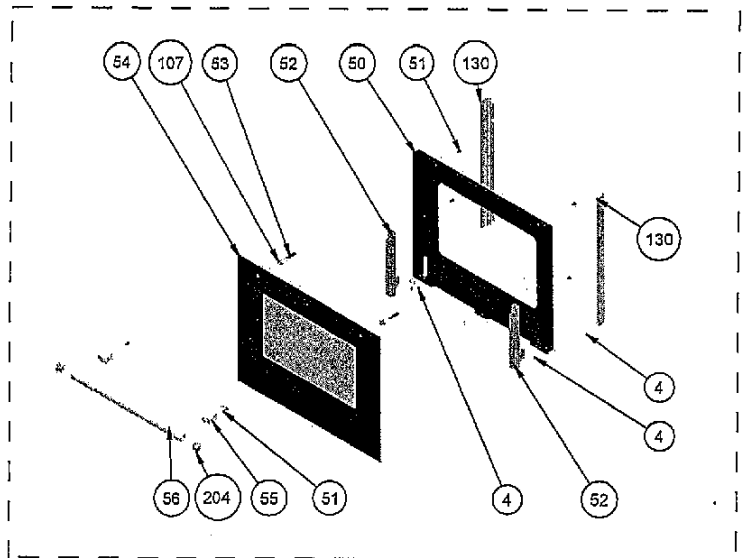
OVEN DOOR HANDLES
(OPTIONAL)



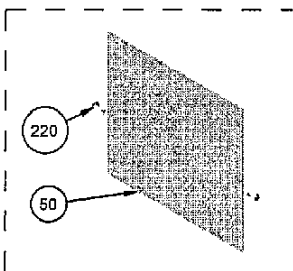
3D OVEN DOOR
(POSITION NO 374)



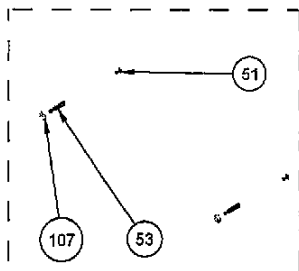
SOLID TYPE
(OPTIONAL)
(POSITION NO 375)



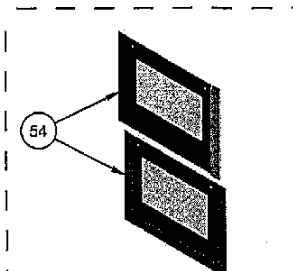
FLAT TYPE OVEN DOOR
(OPTIONAL)
(POSITION NO 376)



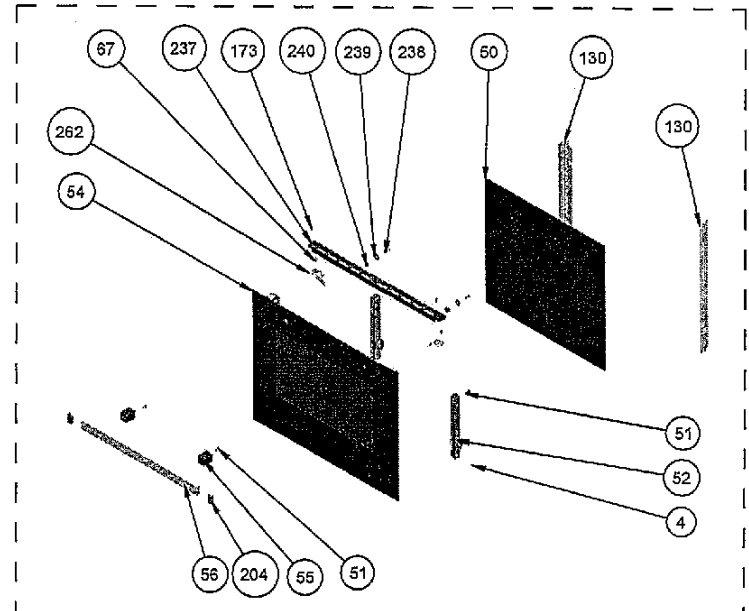
THIRD INNER GLASS
(OPTIONAL)



HANDLE ASSEMBLY GROUP
(OPTIONAL)
(POSITION NO 49)

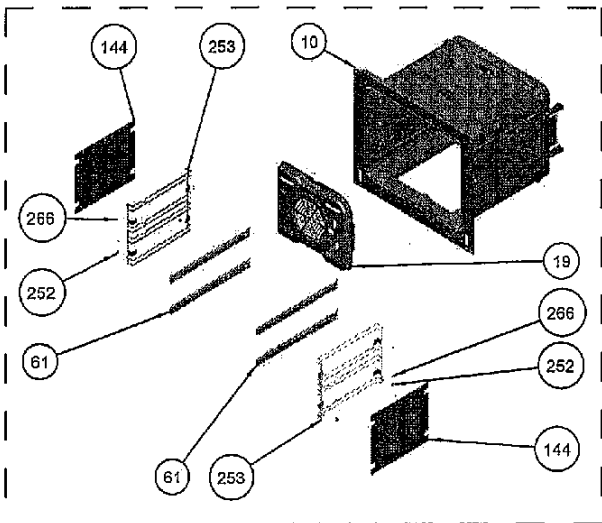


OVEN DOOR OUTER GLASS ASSEMBLY
WITH INOX ADD-ON TYPES
(OPTIONAL)

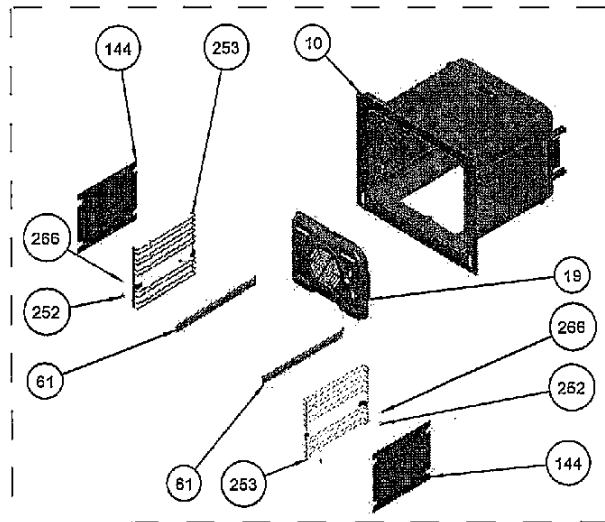


FLAT OVEN DOOR WITH FULL GLASS STRUCTURE
(OPTIONAL)
(POSITION NO 377)

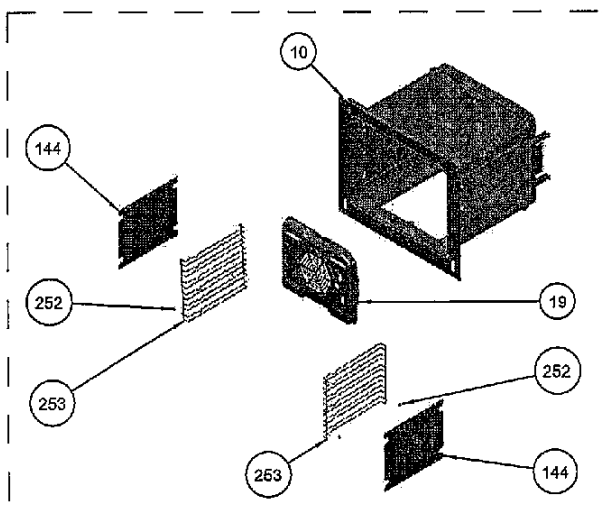
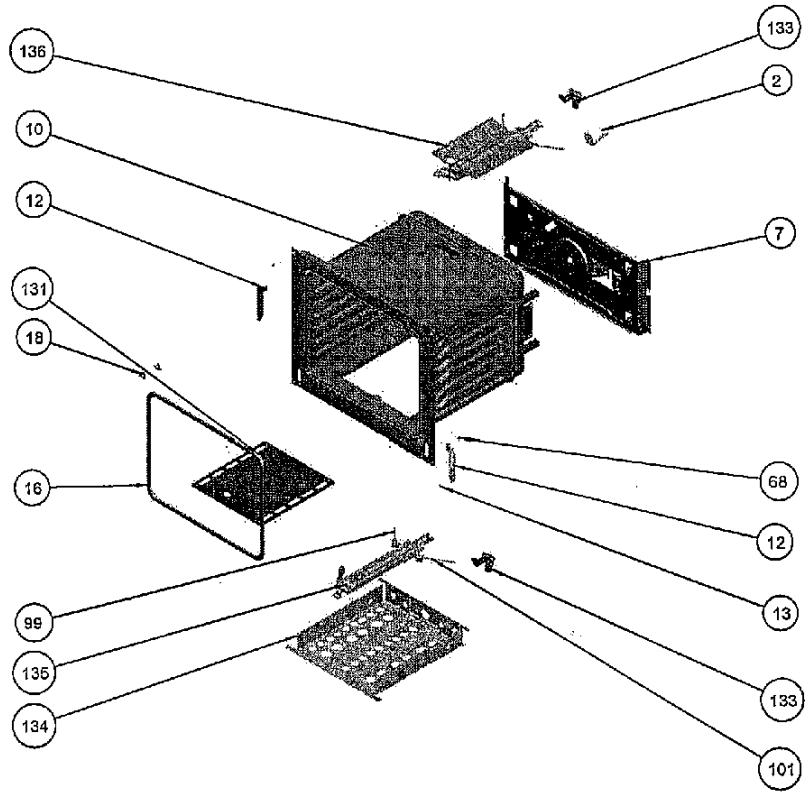
*Metal frames on outer glass, handle types, handle taps and brackets are optional. Your cooker may be different cosmetically.



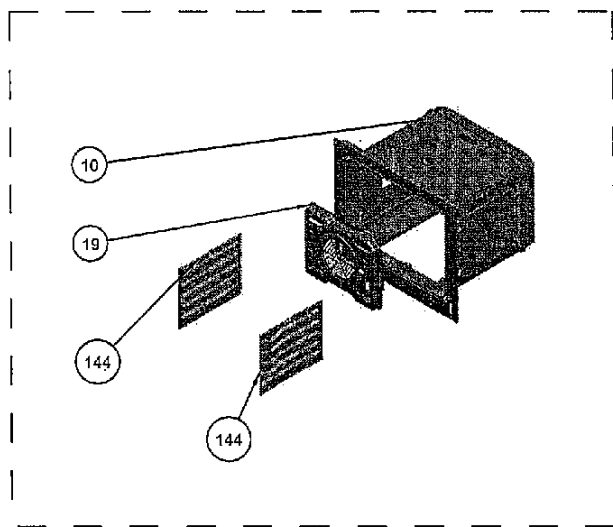
WIRE SHELF CAVITY ASSEMBLY WITH / WITHOUT CATALYTIC PANEL
 OPTIONAL : DOUBLE TELESCOPIC RAILS (R / L)



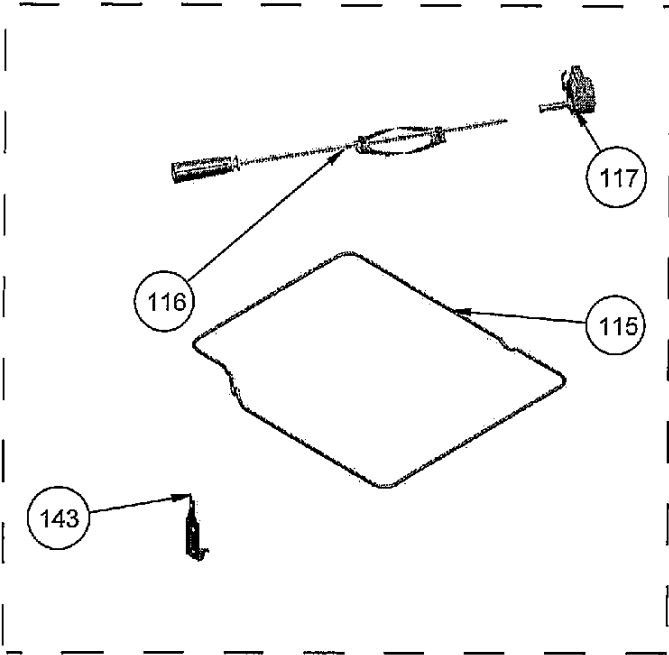
WIRE SHELF CAVITY ASSEMBLY WITH / WITHOUT CATALYTIC PANEL
 OPTIONAL : TELESCOPIC RAIL (R / L)



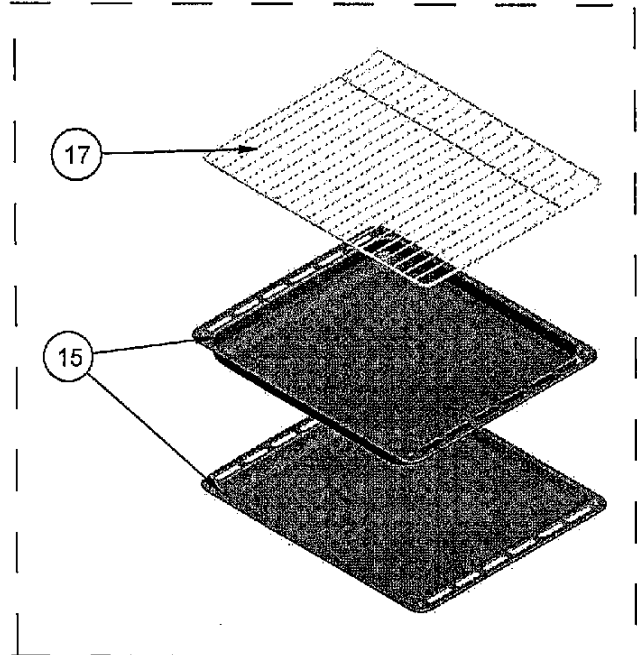
WIRE SHELF CAVITY ASSEMBLY WITH / WITHOUT CATALYTIC PANEL
 (OPTIONAL)



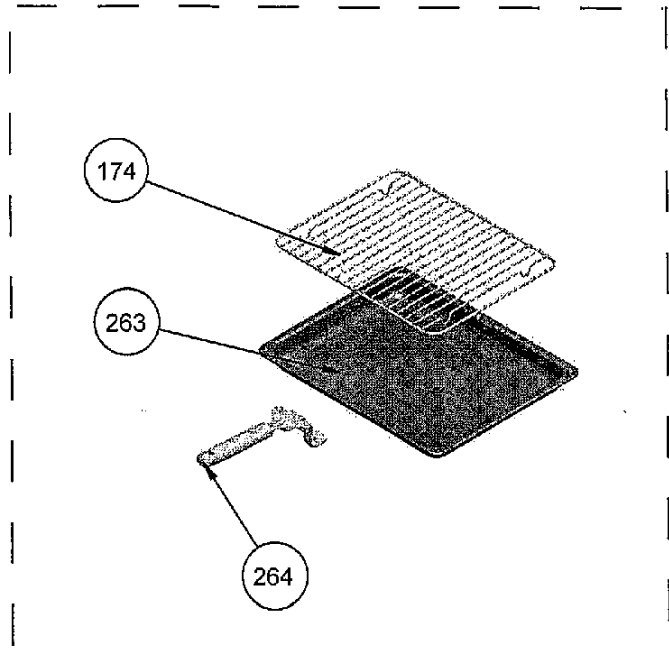
CAVITY ASSEMBLY WITH CATALYTIC PANEL
 (OPTIONAL)



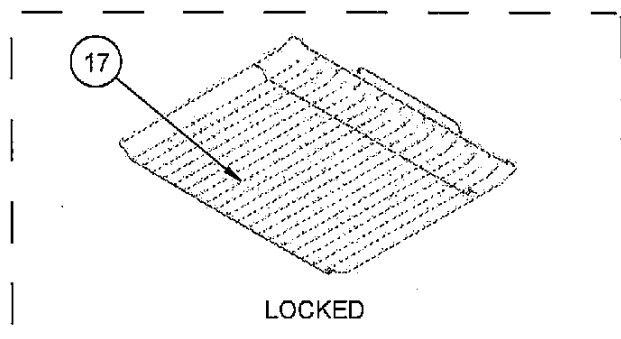
TURNSPIT (OPTIONAL)



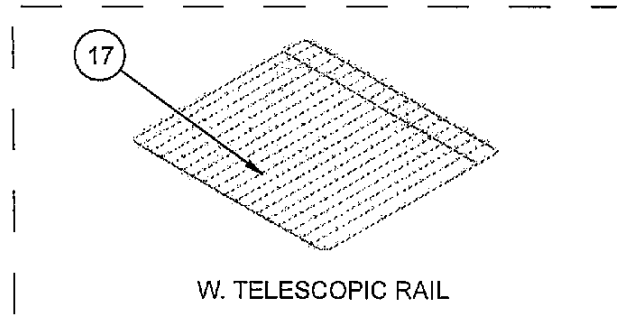
TRAYS & GRID (OPTIONAL)



TRAY SET FOR GRID (POSITION NO : 265) (OPTIONAL)

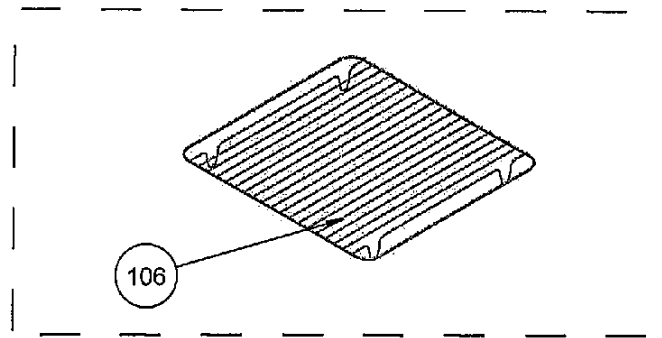


LOCKED

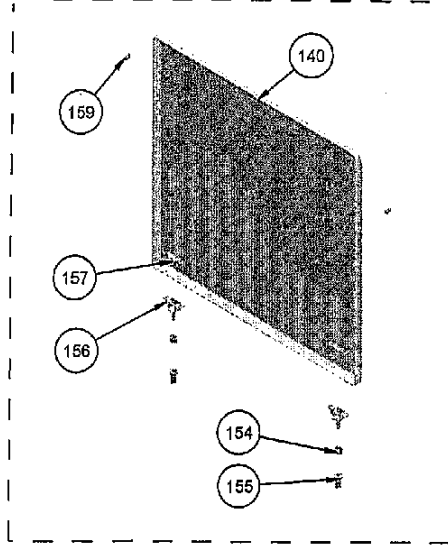


W. TELESCOPIC RAIL

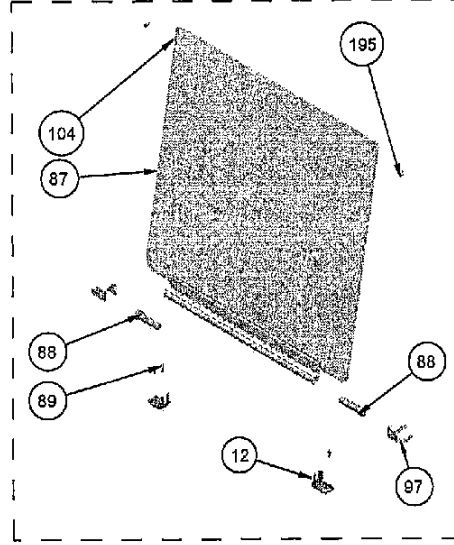
GRID (OPTIONAL)



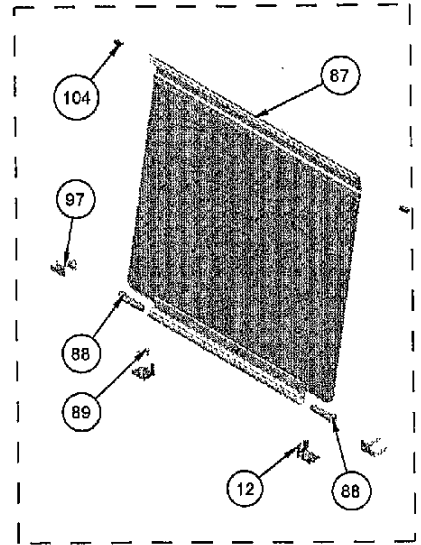
DEEP TRAY GRID (OPTIONAL)



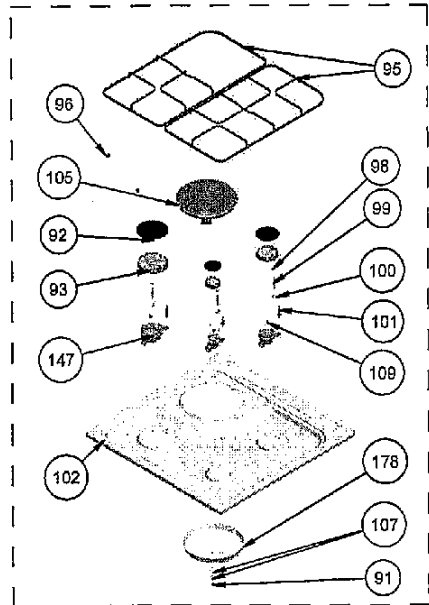
METAL LID OPTIONAL
(POSITION NO 153)



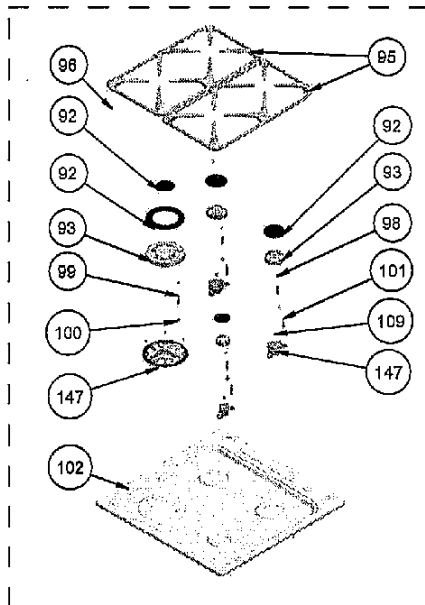
GLASS LID WITH BUMPER OPTIONAL



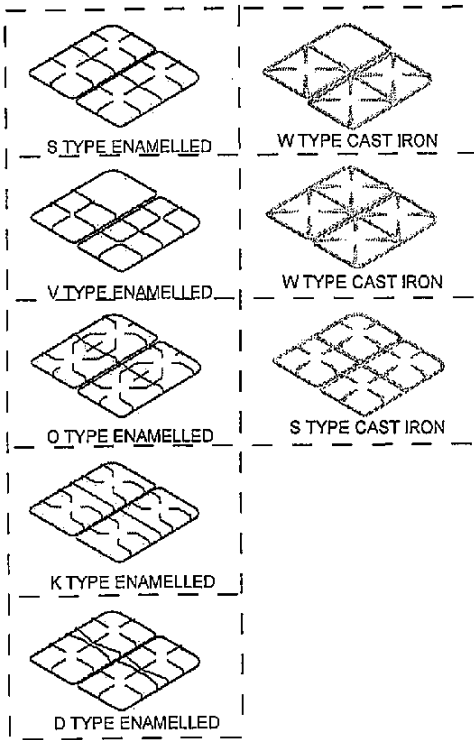
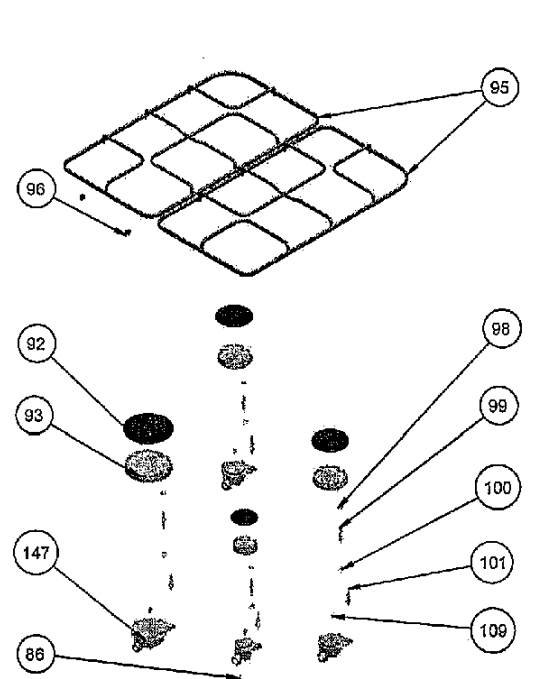
GLASS LID OPTIONAL



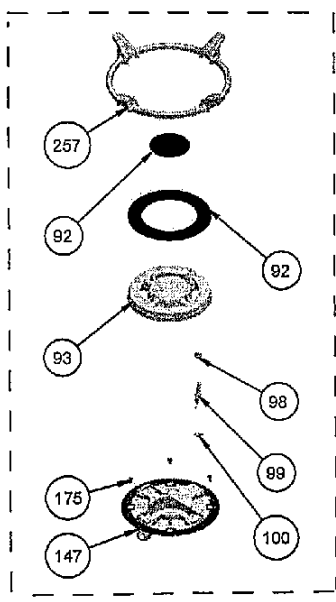
3 GAS 1 ELECTRIC



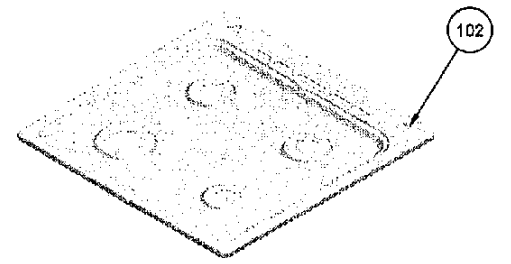
3 GAS + WOK BURNER

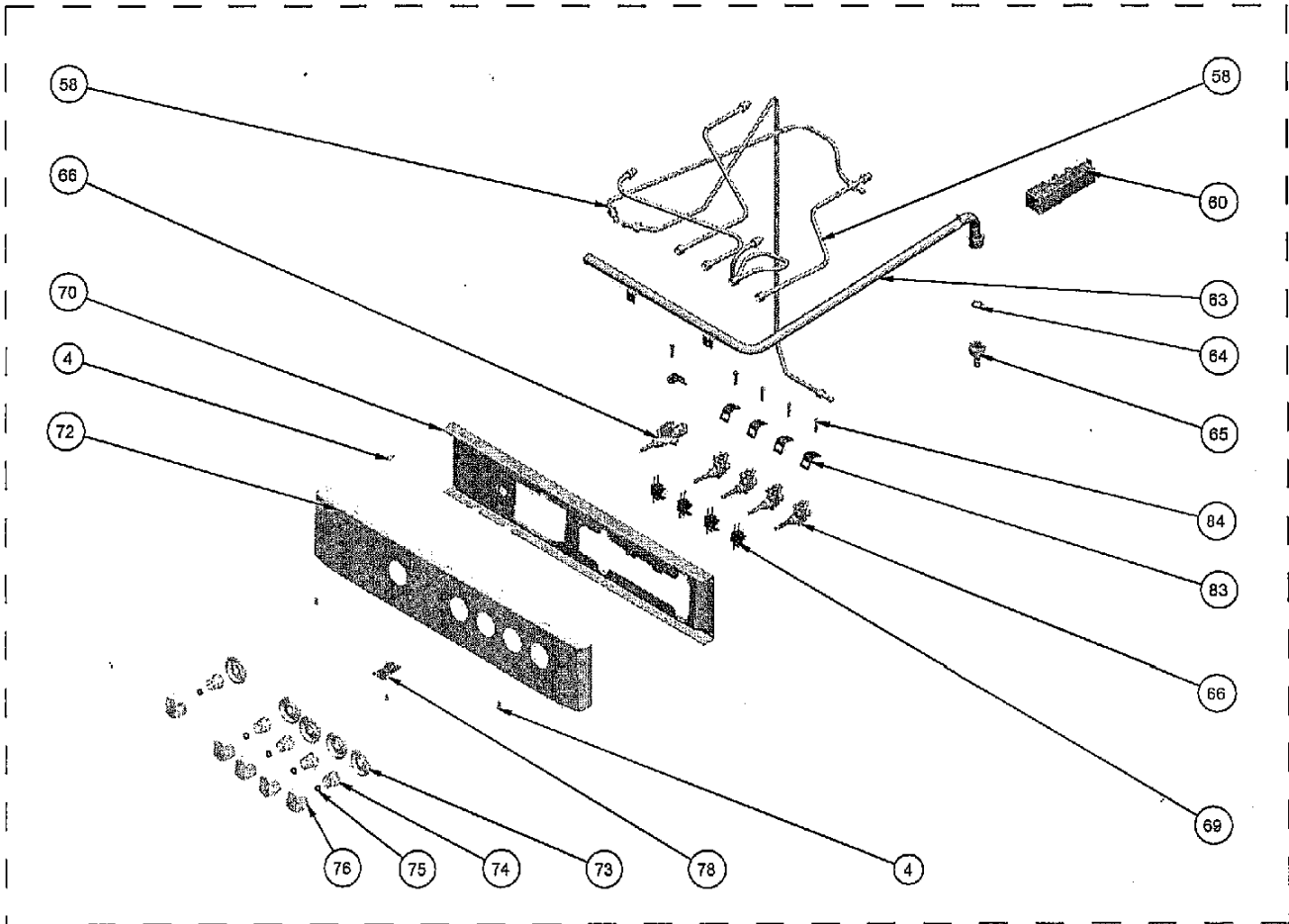


PAN SUPPORTS (OPTIONAL)

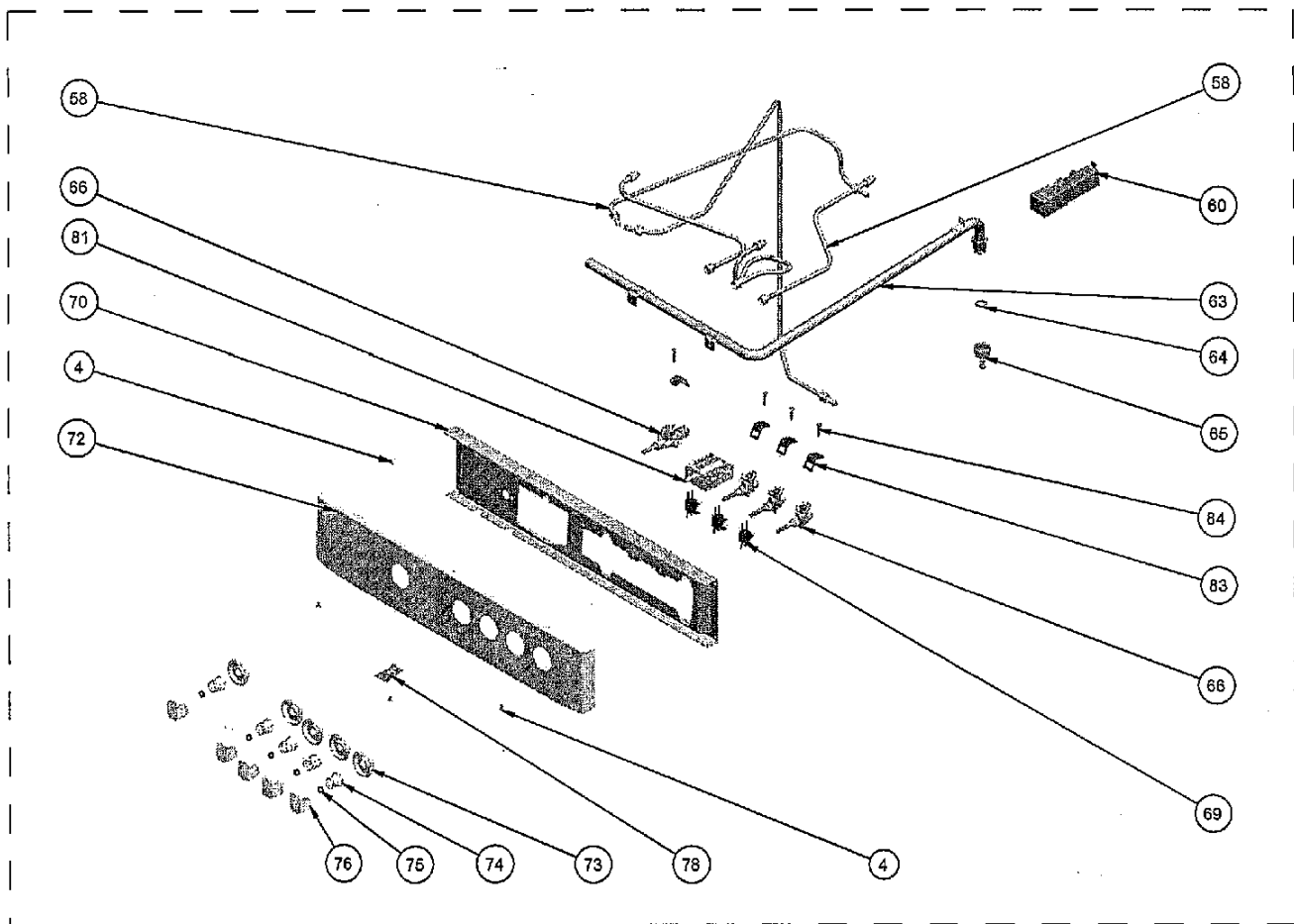


WOK BURNER (OPTIONAL)

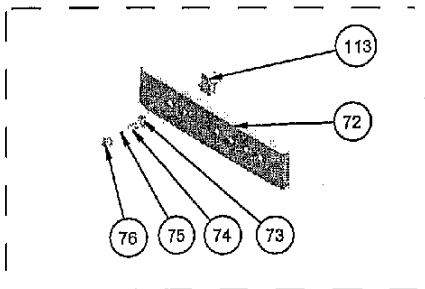




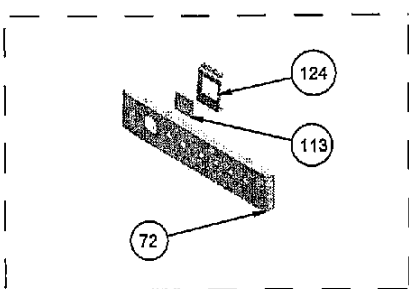
4G CONTROL PANEL ASSEMBLY



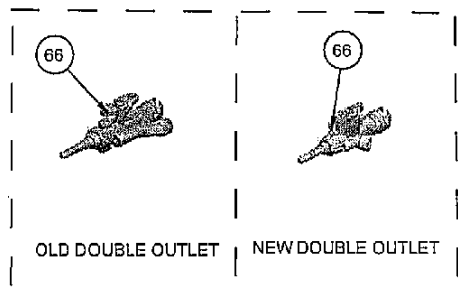
3G-1E CONTROL PANEL ASSEMBLY



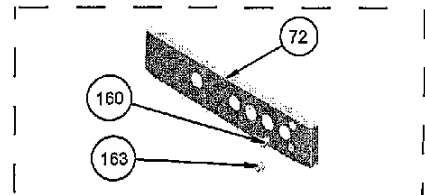
MECHANIC TIMER
(OPTIONAL)



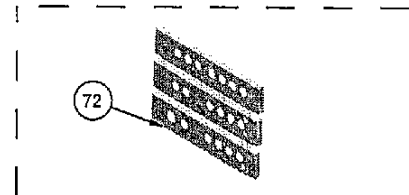
ANALOG TIMER
(OPTIONAL)



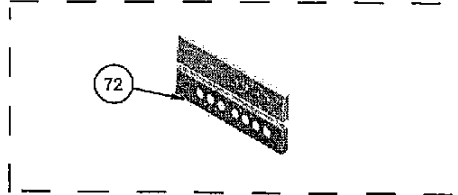
OVEN VALVES FOR
FFD, WITHOUT THERMOSTAT



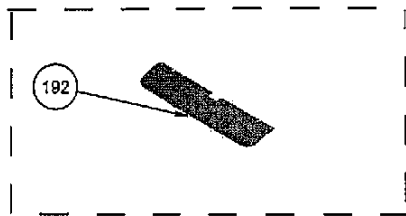
SPARK/LAMP BUTTON (OPTIONAL)



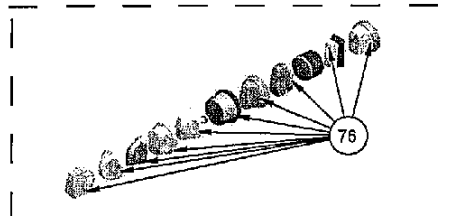
3D METAL CONTROL PANELS
(OPTIONAL)



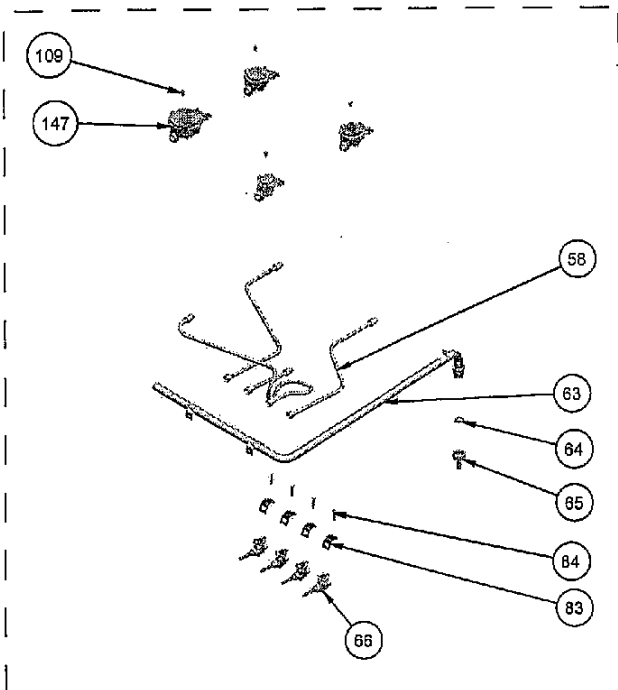
FLAT METAL CONTROL PANELS
(OPTIONAL)



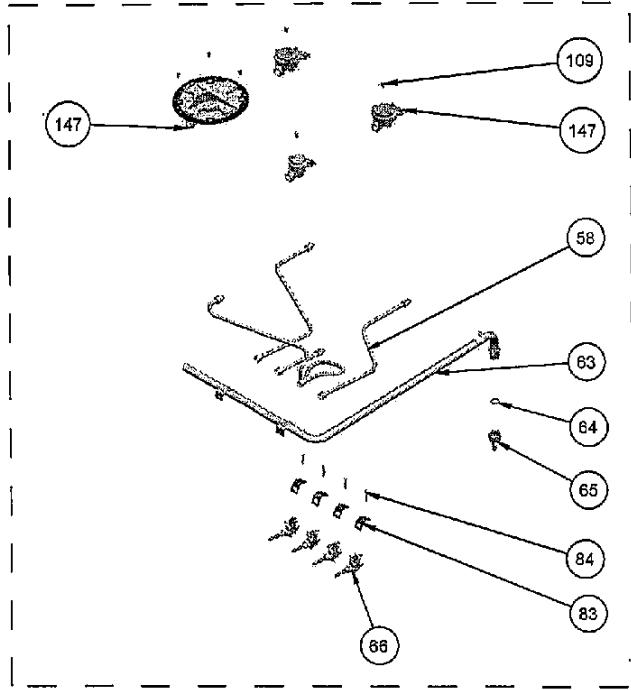
GRILL HEAT COVER (OPTIONAL)



KNOBS (OPTIONAL)



MANIFOLD ASSEMBLY - 4 GAS
(POSITION NO 121)



MANIFOLD ASSEMBLY - 3 GAS + WOK BURNER
(POSITION NO 121)

109

147

58

63

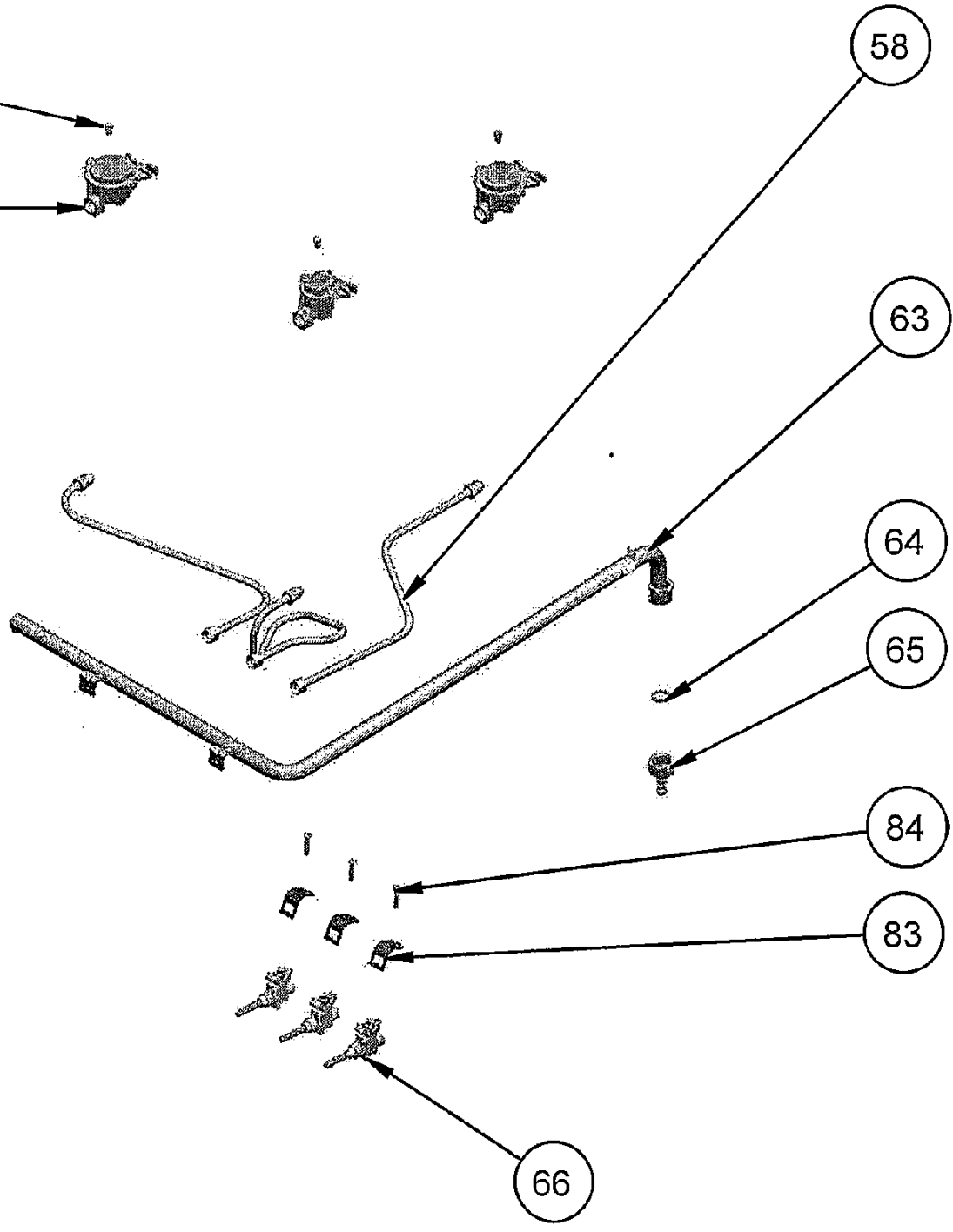
64

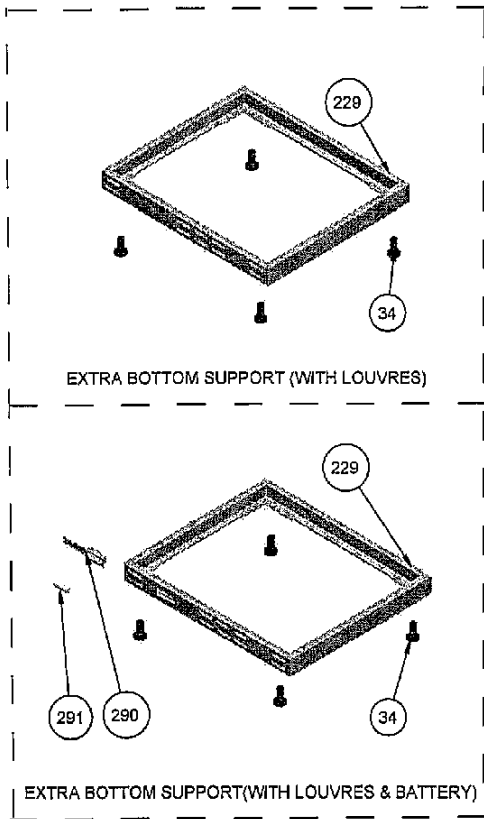
65

84

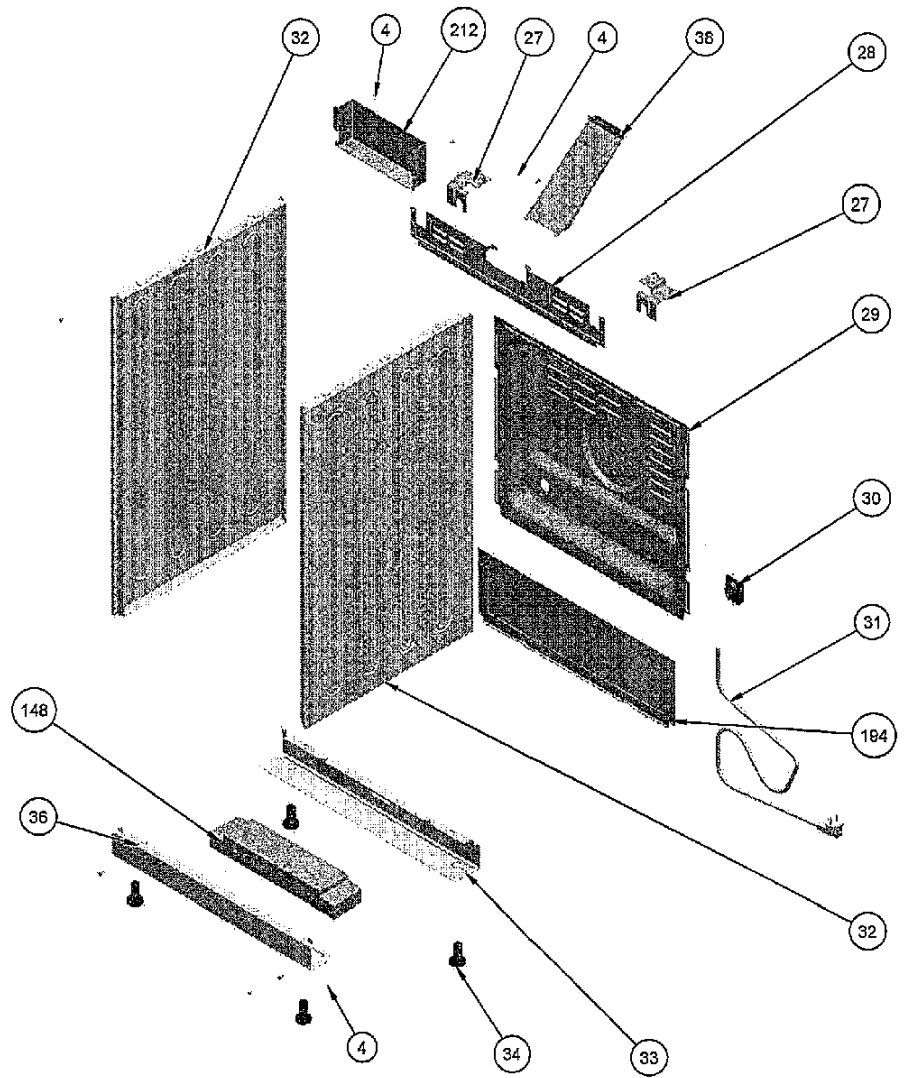
83

66

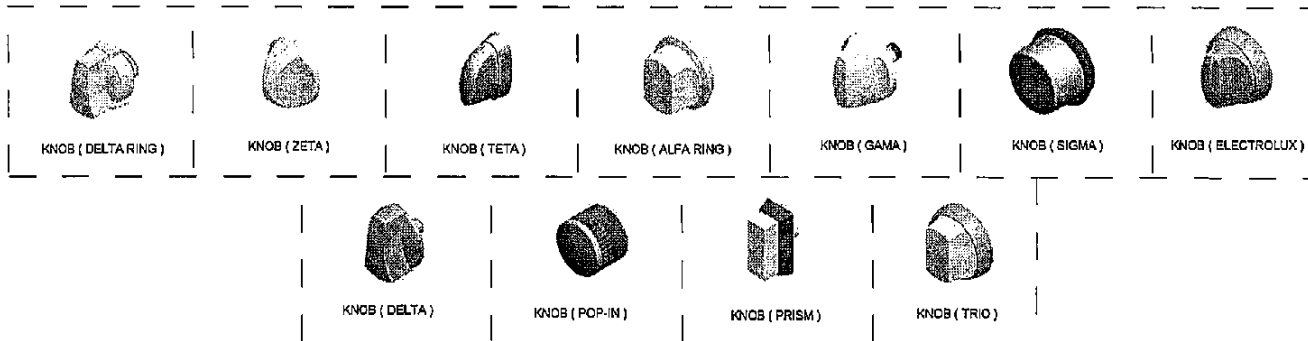




OPTIONAL

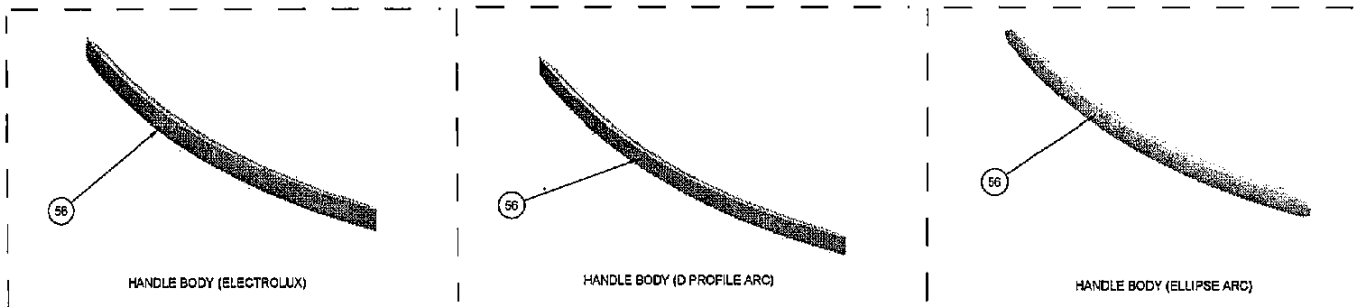


KNOB (OPTIONAL)

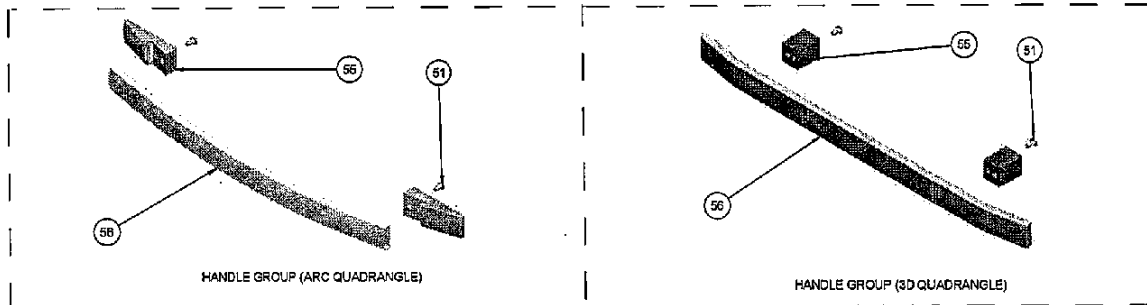


OVEN DOOR HANDLES (OPTIONAL)

HANDLES WITHOUT TAP & BRACKET



HANDLES WITH BRACKET



HANDLES WITH TAP & BRACKET

