

VESTEL REFRIGERATOR SERVICE MANUAL



VESTELMODEL :

RN 260V

MODEL :

BDP 248.4

CODE :

(VESTEL FRANCE / BLUESKY)

10015677

CONTENTS	PAGE
1. SPECIFICATIONS	1-2
2. ASSEMBLE & DISASSEMBLE	
❖ Changing to right hand	3-5
❖ Changing the thermostat	6
❖ Thermostat knob	6
3. REFRIGERANT CYCLE DIAGRAM	7
4. MACHINE ROOM VIEW	8
5. CIRCUIT DIAGRAM	8
6. INTERIOR PARTS	9
7. INTERIOR PARTS LIST	10
8. DOOR ASSY PARTS	11
9. DOOR ASSY PARTS LIST	12
10. UNIT PARTS	13
11. UNIT PARTS LIST	14

VESTEL WHITE GOODS	VESTEL REFRIGERATOR	AUGUST 2002
	SPECIFICATIONS	

A-SPECIFICATIONS - BDP 248.4

	BDP 248.4
CLIMATE TYPE	N (NORMAL)
DOOR COLOR	WHITE
DOOR	2 SIDE AVAILABLE
DOOR INSULATION	CYCLOPENTAN
INSULATION	CYCLOPENTAN
LEVELLING FOOT	2
REFRIGERATOR GASKET	WHITE
FREEZER GASKET	WHITE

ELECTRICAL SPECIFICATIONS

	BDP 248.4
ENERGY CLASS	B
COMPRESSOR	THA125YP 220-240V/50HZ
POWER	230 W
LAMP TYPE	E14
ENERGY CONSUMPTION	1.04 kWh / 24h
CURRENT	0.8 A
REFRIGERANT	R 134a
REFRIGERANT CHARGE	120 gr.

RELAY

	BDP 248.4
RELAY TYPE (PTC)	8EA703
THERMIC TYPE (OLP)	4TM283KFBYY-53

REFRIGERATING SYSTEM CONTROL

	BDP 248.4
THERMOSTAT TYPE	DNFS077B6575
DRYER	7.5 gr.
DEFROST TYPE	Semi - Automatic
CAPILLARY TUBE	0.66x3400 mm

VESTEL WHITE GOODS CONSUMER SERVICE	TECHNICAL DEPARTMENT
---	---------------------------------------

VESTEL WHITE GOODS	VESTEL REFRIGERATOR	AUGUST 2002
	SPECIFICATIONS	

TEMPERATURE CONTROL MAX.

	BDP 248.4
CUT IN	+3.5 °C
CUT OUT	-29.0 °C

TEMPERATURE CONTROL MIN.

	BDP 248.4
CUT IN	+3.5 °C
CUT OUT	-16.7 °C

DIMENSIONS

	BDP 248.4
REFRIGERATOR VOLUME GROSS (l)	198
FREEZER VOLUME GROSS (l)	50
REFRIGERATOR VOLUME NET (l)	195
FREEZER VOLUME NET (l)	50
WEIGHT (kg)	45.4
HEIGHT (mm)	1440
DEPTH (mm)	600
WIDTH (mm)	540

PACKAGED DIMENSIONS

	BDP 248.4
WEIGHT (kg)	48.4
HEIGHT (mm)	1509
DEPTH (mm)	632
WIDTH (mm)	578

FREEZER ACCESSORY

	BDP 248.4
ICE SCRAPER	1
ICE TRAY	1
SHELF	1

REFRIGERATOR ACCESSORY

	BDP 248.4
CRISPER	1
CRISPER COVER	1
SHELF	3
TUNNEL DRAIN PLUG	1

DOOR ACCESSORY

	BDP 248.4
SHELF	5
SHELF SECTION	10
SHELF COVER	1
EGG HOLDER	1

VESTEL WHITE GOODS CONSUMER SERVICE	TECHNICAL DEPARTMENT
--	---------------------------------------

VESTEL WHITE GOODS	VESTEL REFRIGERATOR	AUGUST 2002
	ASSEMBLE & DISASSEMBLE	

B- Changing The Doorway Direction to Right Hand

1- Unscrew the two screws which are fixing the middle hinge and remove two big taps and one small tap. (FIG-1)

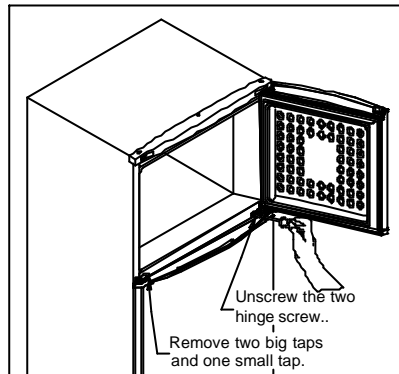


Figure - 1

2- Remove two doors by pulling towards to you with the middle hinge. (FIG-2)

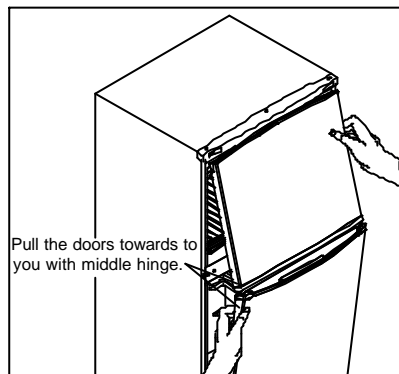


Figure - 2

3- Dismantle both levelling feet and loosen two screws, which are fixing the bottom hinge and dismantle the bottom hinge. (FIG-3)

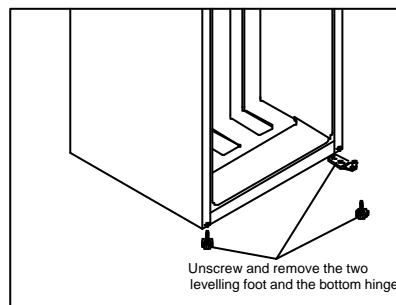


Figure - 3

VESTEL WHITE GOODS CONSUMER SERVICE	TECHNICAL DEPARTMENT
--	---------------------------------

VESTEL WHITE GOODS	VESTEL REFRIGERATOR	AUGUST 2002
	ASSEMBLE & DISASSEMBLE	

B- Changing The Doorway Direction to Right Hand

4- Then change the placement of bottom hinge pin as shown below. Unscrew the hinge pin and screw in the next hole. (FIG-4)

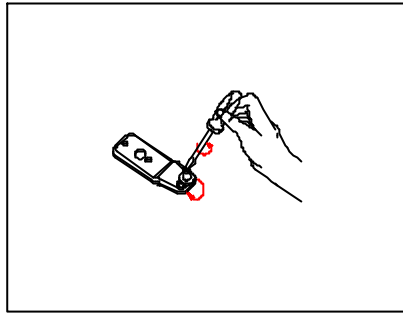


Figure - 4

5- Place the two big taps and one small tap as shown in the figure. (FIG-5)

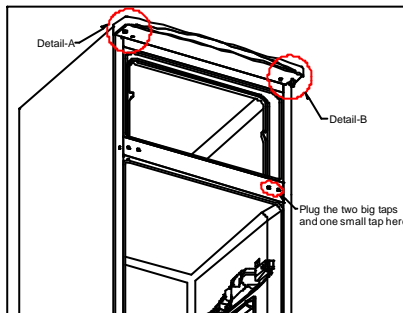


Figure - 5

6- Break this ear and cut circular hole.(FIG-6/Detail-A)
Unscrew and remove the tap hinge pin and screw on the top hinge on the left side. (FIG-6/Detail-B)

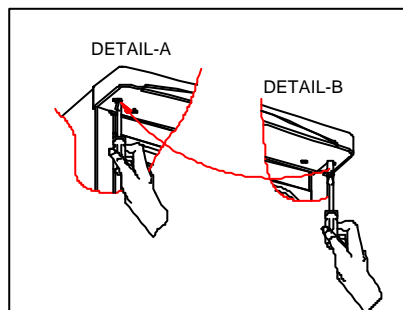


Figure - 6

VESTEL WHITE GOODS CONSUMER SERVICE	TECHNICAL DEPARTMENT
--	---------------------------------

VESTEL WHITE GOODS	VESTEL REFRIGERATOR	AUGUST 2002
	ASSEMBLE & DISASSEMBLE	

B- Changing The Doorway Direction to Right Hand

7- Take out the bushing and bushing caps and reassemble them by changing their places. (FIG-7)

Take out bush and stopper and reassemble them changing their places. (FIG-7)

Take out the bushing and bushing caps and reassemble them by changing their places. (FIG-8)

Take out the bush and reassemble it by changing its places and remove the right stopper and reassemble it to the left side by using left stopper. (FIG-8)

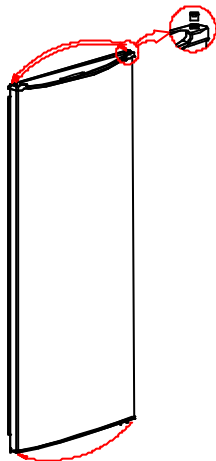


Figure - 7

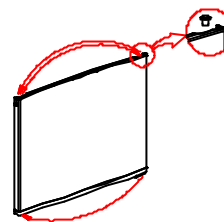


Figure - 8

8- Turn the middle hinge 180° clockwise direction. And then assemble with the two doors. Finally screw it on the left holes with two screws. (FIG-9)

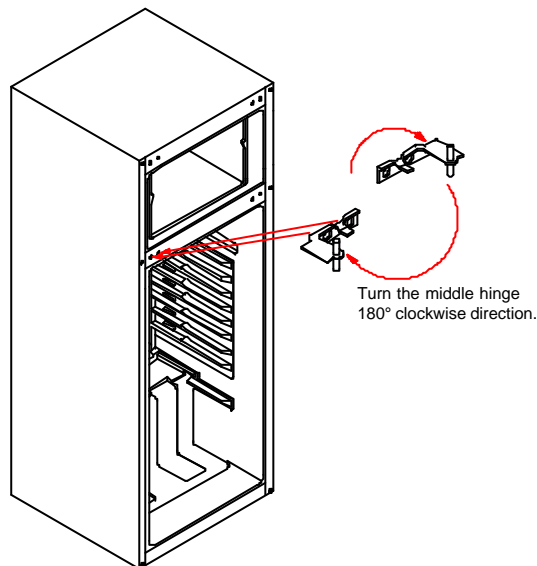


Figure - 9

VESTEL WHITE GOODS CONSUMER SERVICE	TECHNICAL DEPARTMENT
--	---------------------------------

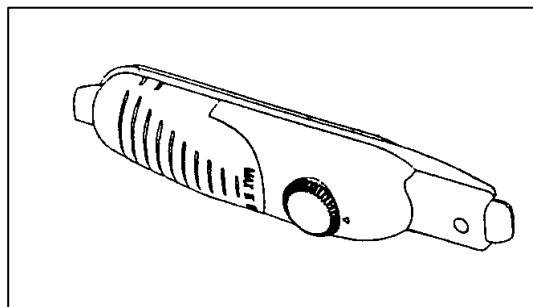
VESTEL WHITE GOODS	VESTEL REFRIGERATOR	AUGUST 2002
	ASSEMBLE & DISASSEMBLE	

C - Changing The Thermostat :

- 1) Take off the lamp cover and unscrew the fixing screw.
- 2) Take off the screw cap and unscrew the fixing screw.
- 3) Take off the thermostat box by pulling and take off the wire connector.
- 4) Pull out the thermostat bulb from the cabinet.
- 5) Take off the thermostat knob pulling forward. Loosen the nut fixing the thermostat.
- 6) Replace the thermostat and assemble the thermostat box following the steps backwards. Be careful at firstly mounting the thermostat box to the cavity properly.

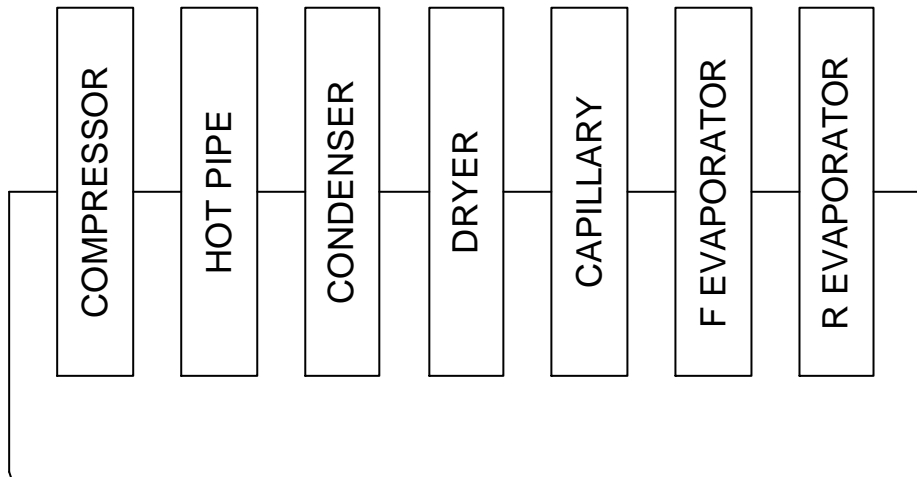
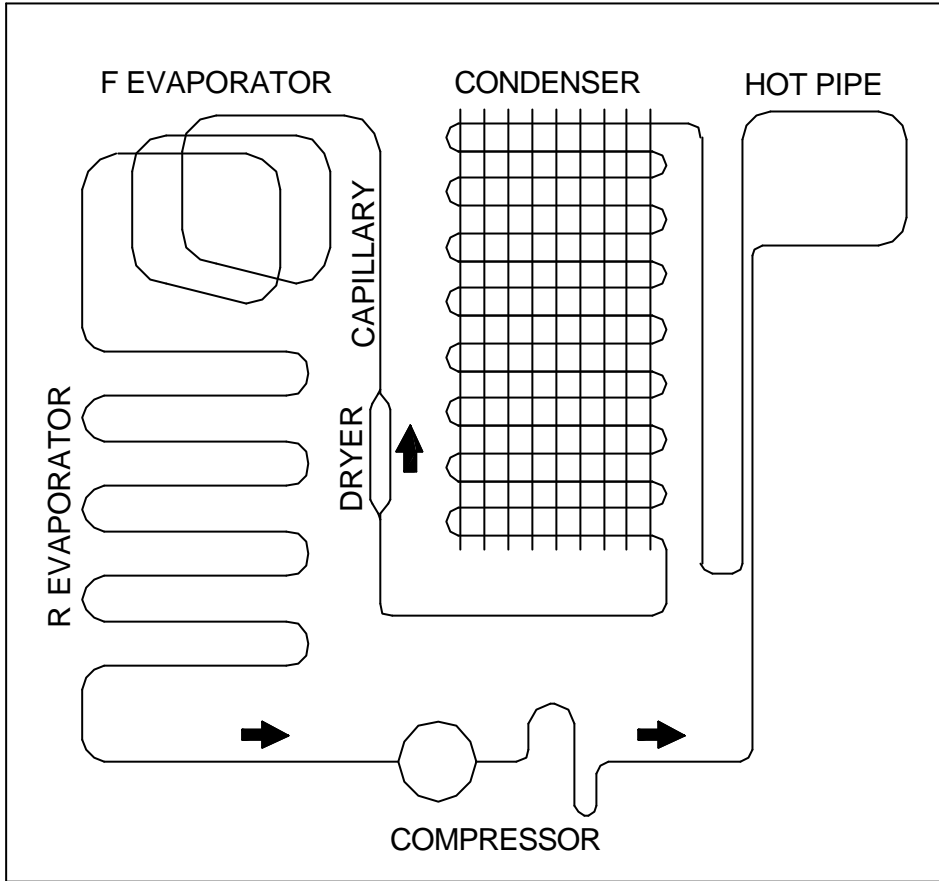
D - Thermostat Knob

- ❖ This knob is used to control the temperature of the freezer and refrigerator automatically. It can be set to any value between the "1" and "5" positions.
- ❖ "0" position indicates that the thermostat is "off" and so in this position no cooling is done.
- ❖ By turning the knob from "1" to "5" you can increase the cooling degree.
- ❖ The refrigerator is designed to get optimum performance when the thermostat knob is set in the middle position (between "1" and "5").



VESTEL WHITE GOODS CONSUMER SERVICE	TECHNICAL DEPARTMENT
--	---------------------------------

VESTEL WHITE GOODS	VESTEL REFRIGERATOR	AUGUST 2002
	REFRIGERANT CYCLE DIAGRAM	

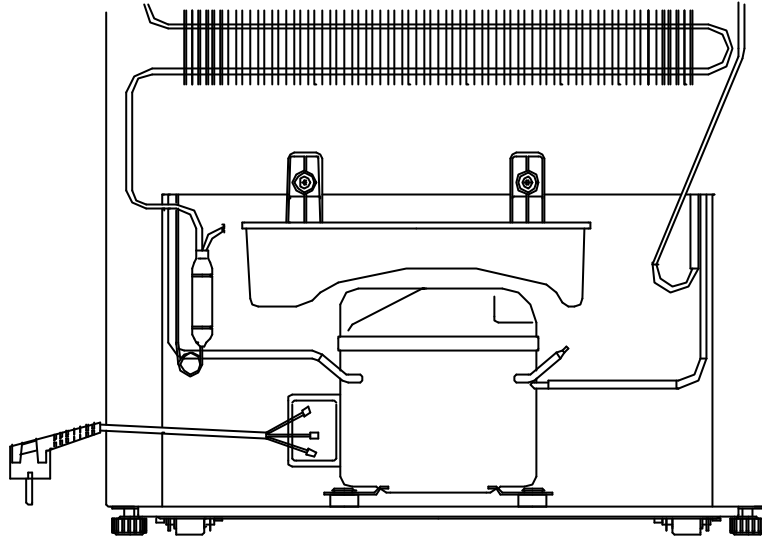


VESTEL WHITE GOODS CONSUMER SERVICE	TECHNICAL DEPARTMENT
---	---------------------------------------

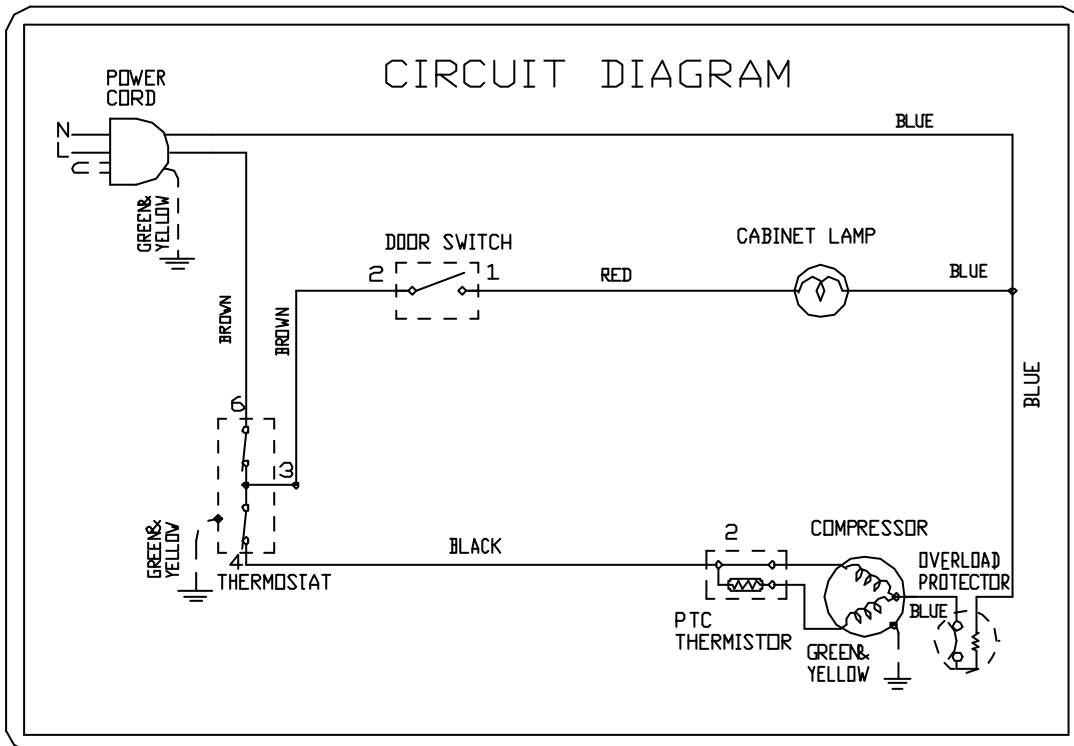
VESTEL
WHITE GOODS

VESTEL REFRIGERATOR
MACHINE ROOM VIEW / CIRCUIT DIAGRAM

AUGUST
2002



MACHINE ROOM VIEW



CIRCUIT DIAGRAM

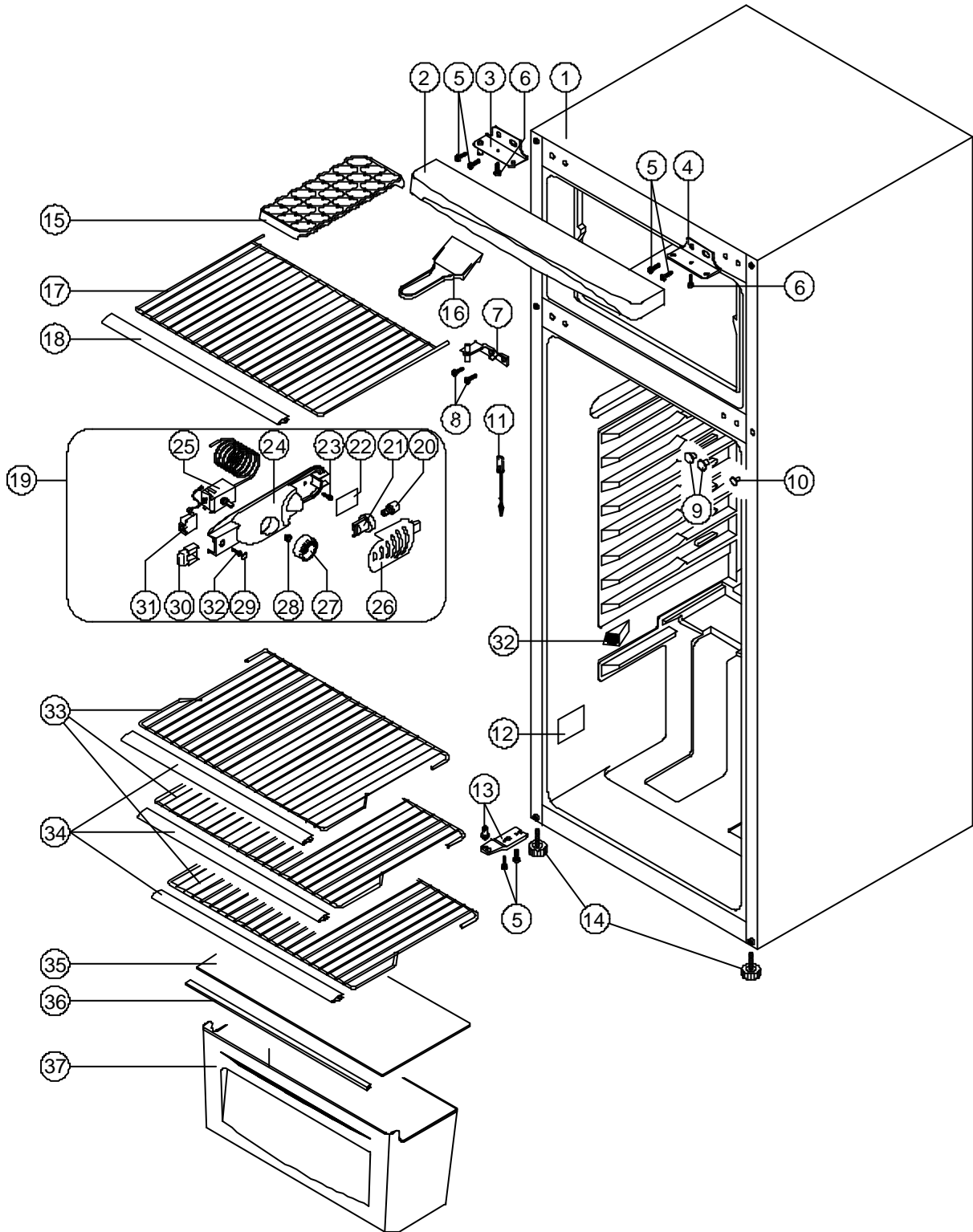
VESTEL
WHITE GOODS CONSUMER SERVICE

TECHNICAL
DEPARTMENT

VESTEL
WHITE GOODS

VESTEL REFRIGERATOR
INTERIOR PARTS

AUGUST
2002



VESTEL
WHITE GOODS CONSUMER SERVICE

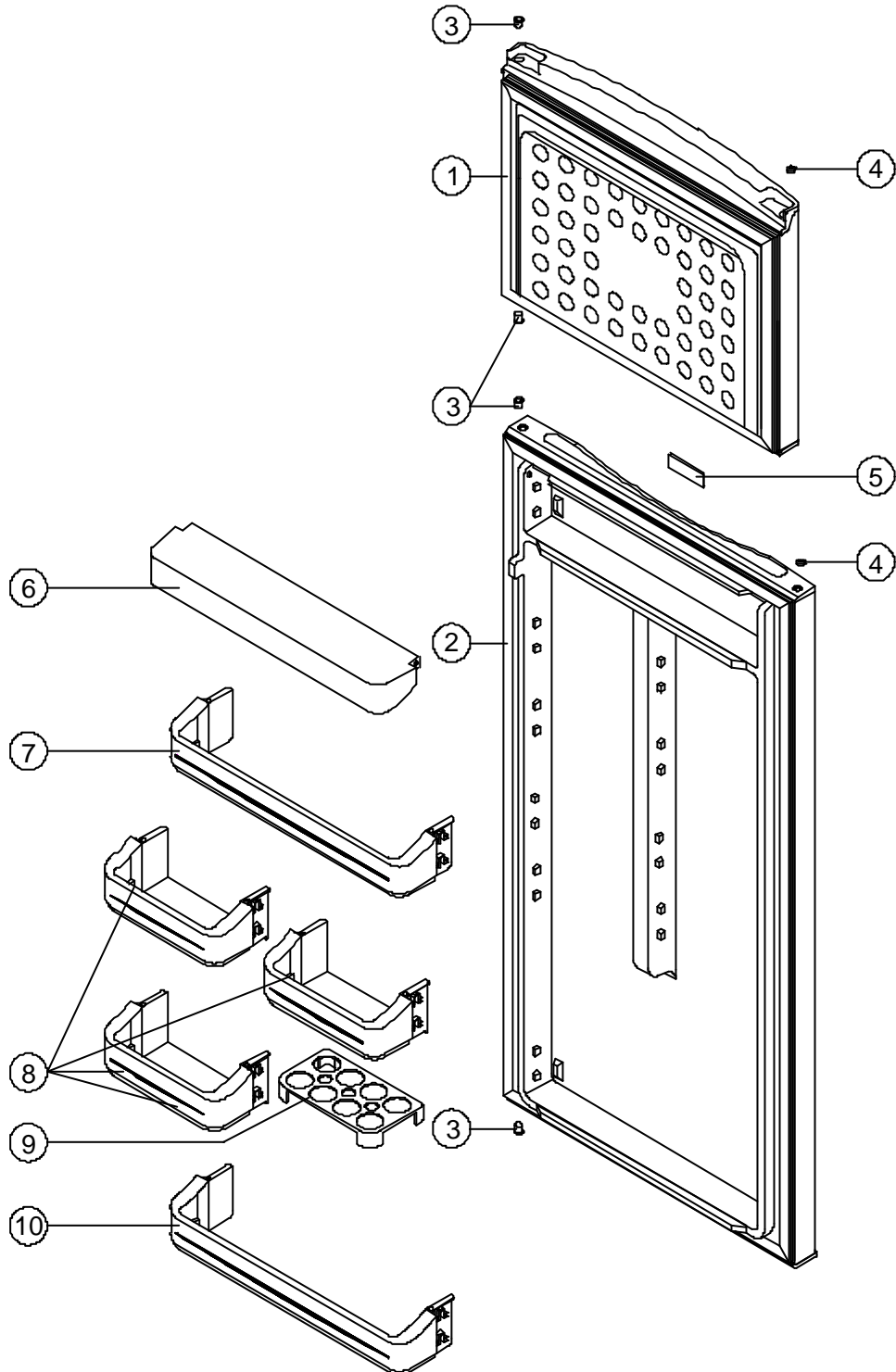
TECHNICAL
DEPARTMENT

VESTEL WHITE GOODS	VESTEL REFRIGERATOR	AUGUST 2002
	INTERIOR PARTS LIST	

NO	CODE	PARTS NAME	BDP 248.4
1	20074418	ASSY URT CAB/260N	1
2	40006464	HEAD PANEL/260V	1
3	35004875	TOP HINGE/260V (WITH PIN) PÇ.6,9	1
4	35004624	TOP HINGE/260V (WITHOUT PIN) D.C.3,8	1
5	35000714	SCREW M5*14 WN 1342-H EJOT	6
6	35001817	SCREW 4.2*9.5 WITH WASHER	2
7	35004894	MIDDLE HINGE/260V (PÇ.6,9)	1
8	35001709	SCREW M5*14 WN 1342-H EJOT	2
9	40004843	CAP BIG	2
10	40004842	CAP SMALL	1
11	40002216	TUNNEL DRAIN PLUG	1
12	20105221	NAME PLATE/260N BLUESKY-FR (BDP248.4)	1
13	35004871	BOTTOM HINGE/140V (PÇ.6,9)	1
14	45000563	LEVELLING FOOT	2
15	40002236	ICE TRAY	1
16	40002276	ICE SCRAPER	1
17	45000985	F COMPARTMENT SHELF/260	1
18	40003928	SHELF TRIM F/140	1
19	30016064	THERMOSTAT BOX ASSY/260	1
20	30007906	LAMP (E14/220-240V/15W)	1
21	30007907	LAMP HOLDER - E14	1
22	45000976	HEAT REFLECTOR FOIL/140	1
23	35000744	SCREW 40*14 WN 1411 EJOT	2
24	40008961	THERMOSTAT BOX/140	1
25	30007921	THERMOSTAT (DNFS077B6575)	1
26	40003905	LAMP COVER/140	1
27	40008121	THERMOSTAT KNOB SRGF/260	1
28	35000730	SPRING	1
29	40003904	PLUG/140 THERM. BOX SCREW/140	1
30	40008946	SWITCH PUSH BUTTON	1
31	30017666	SWITCH (BAER) UL	1
32	40010922	INDICATOR	1
33	45001966	R COMPARTMENT SHELF/260	3
34	40003913	SHELF TRIM R/140	3
35	45000978	CRISPER COVER/140	1
36	40003914	CRISPER COVER TRIM/140(EXT)	1
37	40003911	CRISPER SRGF/140	1

VESTEL WHITE GOODS CONSUMER SERVICE	TECHNICAL DEPARTMENT
--	---------------------------------

VESTEL WHITE GOODS	VESTEL REFRIGERATOR	AUGUST 2002
	DOOR ASSY. PARTS	



VESTEL WHITE GOODS CONSUMER SERVICE	TECHNICAL DEPARTMENT
---	---------------------------------------

VESTEL WHITE GOODS	VESTEL REFRIGERATOR	AUGUST 2002
	DOOR ASSY. PARTS LIST	

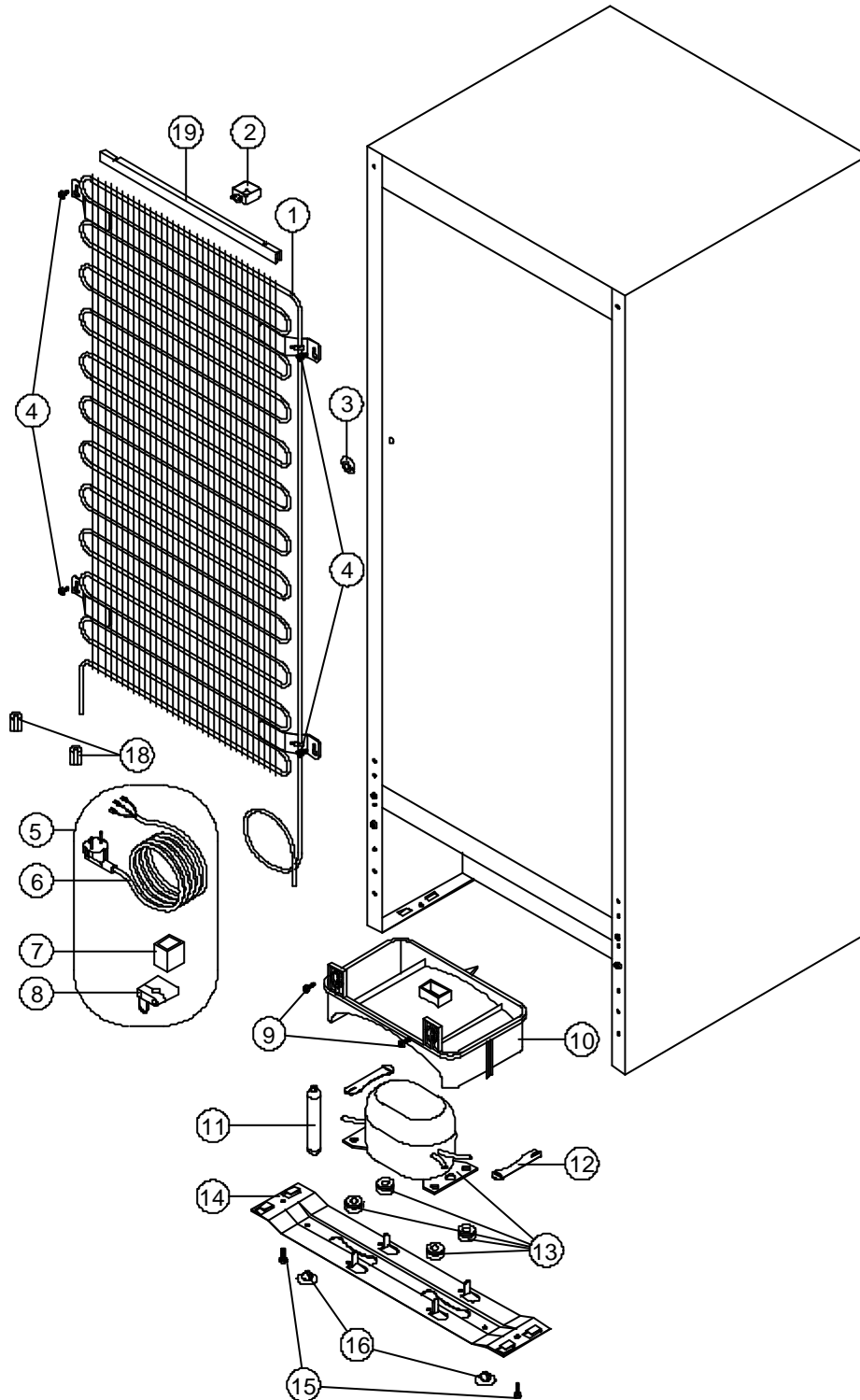
NO	CODE	PARTS NAME	BDP 248.4
1	20056282	F DOOR ASSY SRGF/260V	1
2	20079896	R DOOR ASSY/260V	1
3	40002242	BUSHING/345P	4
4	40002243	BUSHING CAP	2
5	45001868	LOGO BLUESKY	1
6	40003915	SHELF COVER/140	1
7	40003908	BOTTLE SHELF SRGF/140	1
8	40003906	EGG SHELF/140	3
9	40003910	EGG HOLDER/140 (BLUE)	1
10	40010703	BOTTLE SHELF SRGF/260	1

VESTEL WHITE GOODS CONSUMER SERVICE	TECHNICAL DEPARTMENT
--	---------------------------------------

VESTEL
WHITE GOODS

VESTEL REFRIGERATOR
UNIT PARTS

AUGUST
2002



VESTEL
WHITE GOODS CONSUMER SERVICE

TECHNICAL
DEPARTMENT

VESTEL WHITE GOODS	VESTEL REFRIGERATOR	AUGUST 2002
	UNIT PARTS LIST	

NO	CODE	PARTS NAME	BDP 248.4
1	35001867	MAIN CONDANSER/260N	1
2	40002180	SPACER	1
3	40003898	PLUG,CABLE HARNESS	1
4	35001817	SCREW 4.2*9.5 WITH WASHER	4
5	30018583	POWER CORD GR.THA125YP 220-240V/50HZ	1
6	30010202	POWER CORD(1.5m)	1
7	30018541	OVER LOAD RELAY.THA125YP 220-240V/50HZ	1
8	40006235	CABLE HOLDER PLS/140	1
9	35000743	SCREW 4.2*9.5 DIN 7981 YSB	2
10	40009953	EVAPORATING TRAY/260	1
11	35002601	DRYER(XH9,7.5GR)	1
12	20020023	COMPRESSOR FIXING BRACKET	2
13	30018582	COMPRESSOR(THA125YP 220-240V/50HZ)	1
14	20066212	COMPRESSOR BASEMENT/140 (UL)	1
15	35000714	SCREW M5*14 WN 1342-H EJOT	2
16	40003916	FOOT/140	2
18	40002210	ANTI - VIBRATION (COND.)	2
19	40006285	CONDENSER TRIM/140	1
	40002218	CABLE TIE	2
	20078592	PACKAGE GR/260V (CARTOON-DOUBLE WAVE)	1
	50021503	PACKAGE CARTOON/260	1
	50020998	STRAFOR BOTTOM/310	1
	50008955	STRAFOR TOP LEFT/140	1
	50008937	STRAFOR TOP RIGHT/140	1
	50015528	STRAFOR - FRONT (1365*152*25)260V	1
	50028985	USER'S MANUEL/CK.5 (INDICATOR)	1
	50029433	CIRCUIT DIAGRAM/150-260	1
	50029603	PACKAGE LABEL/260V(N)BLUESKY-FR (BDP248.4)	2
	50029604	ENERGY LABEL/260V(N)BLUESKY (BDP248.4)	1

VESTEL WHITE GOODS CONSUMER SERVICE	TECHNICAL DEPARTMENT
--	---------------------------------

REVISION SHORT HISTORY:

NO:	REV. NO:	REV. DATE:	PAGE NO:	REV. REASON
01	00	27.08.2002	All	First publication

DISTRIBUTION :

<i>France – Vestel France</i>	<i>Date: 02.09.2002</i>
-------------------------------	-------------------------