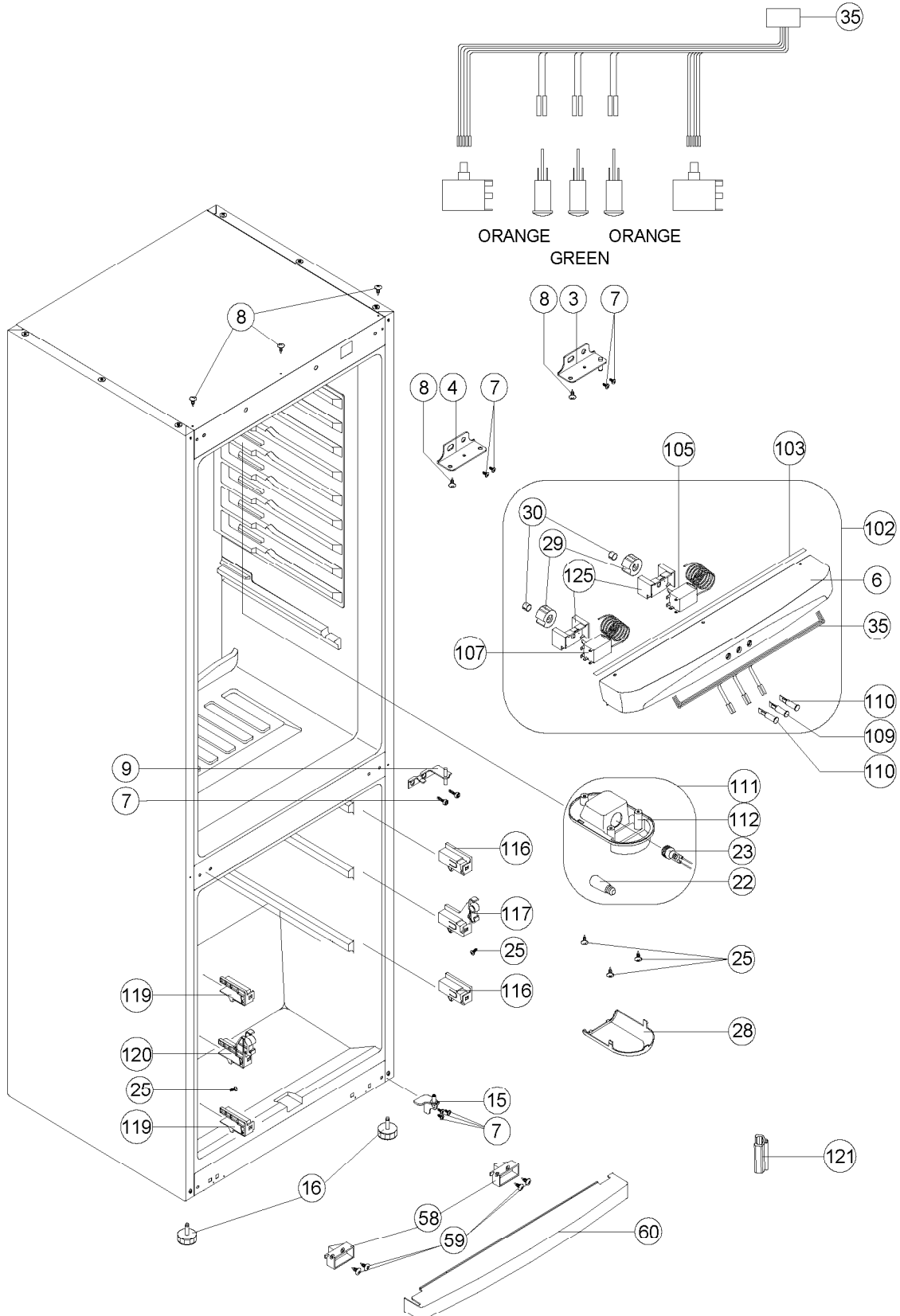
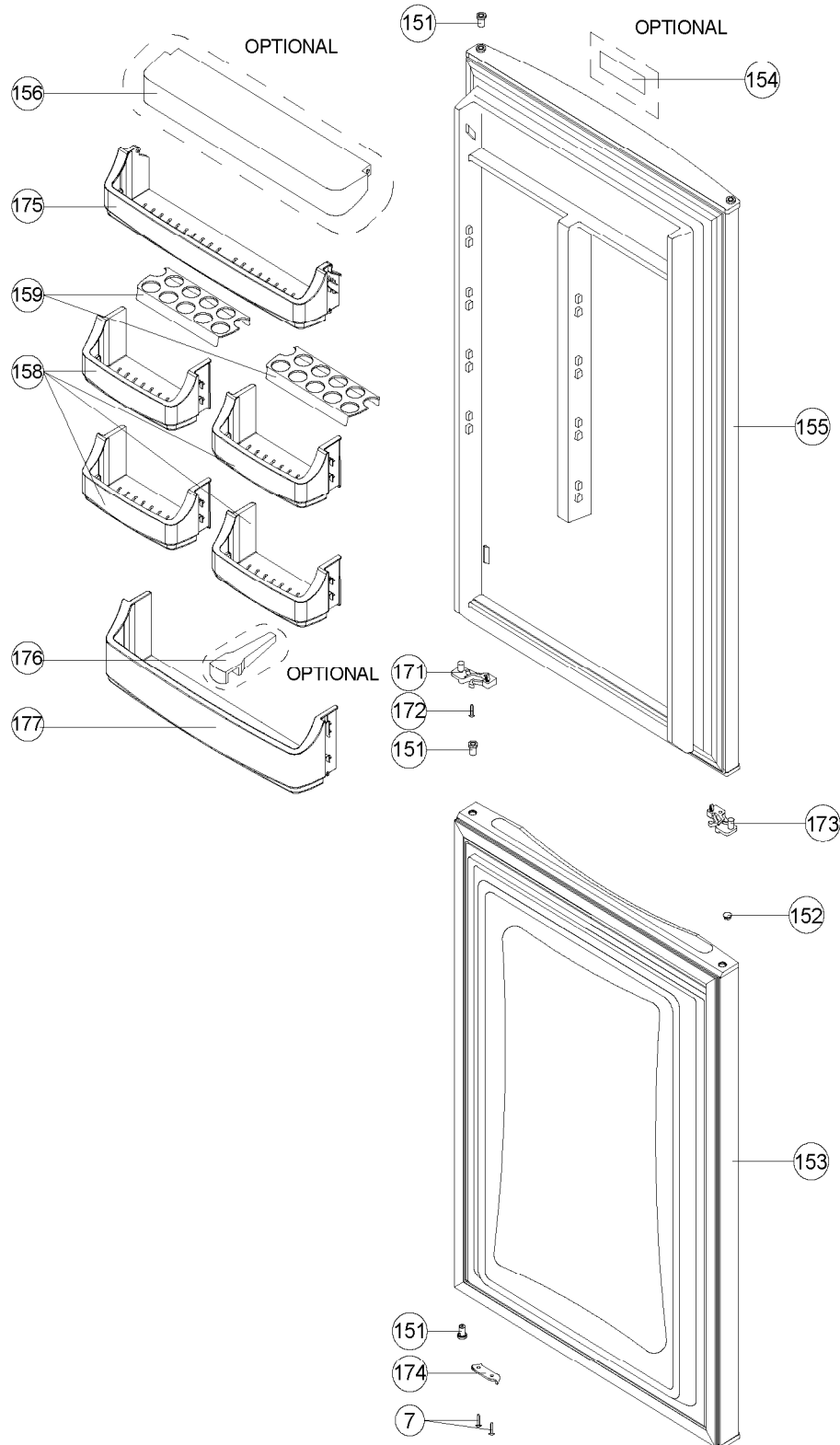


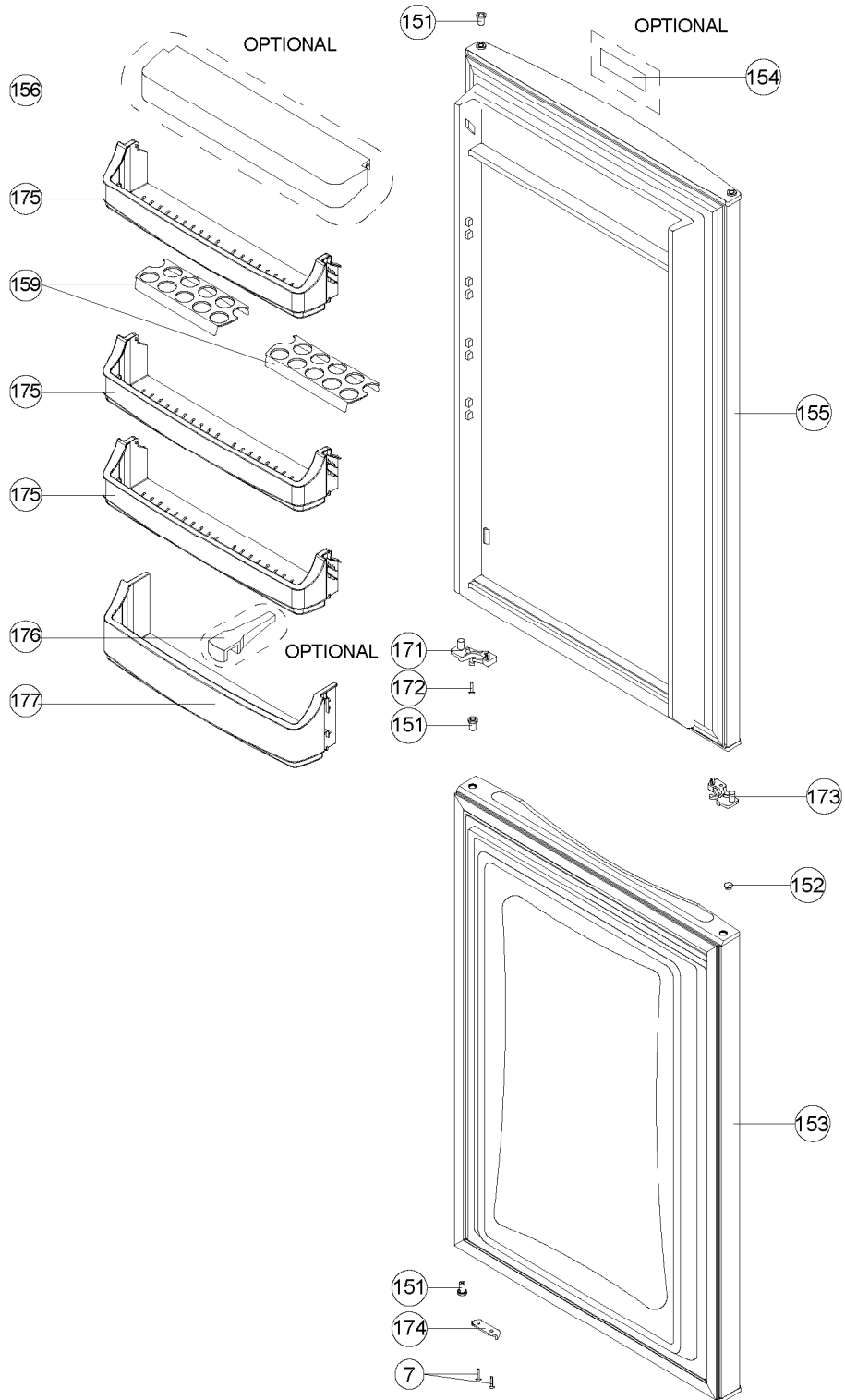
NOTE : On this exploded view, standard accessories drawings are used. According to your product, some changes may became on the accessories.

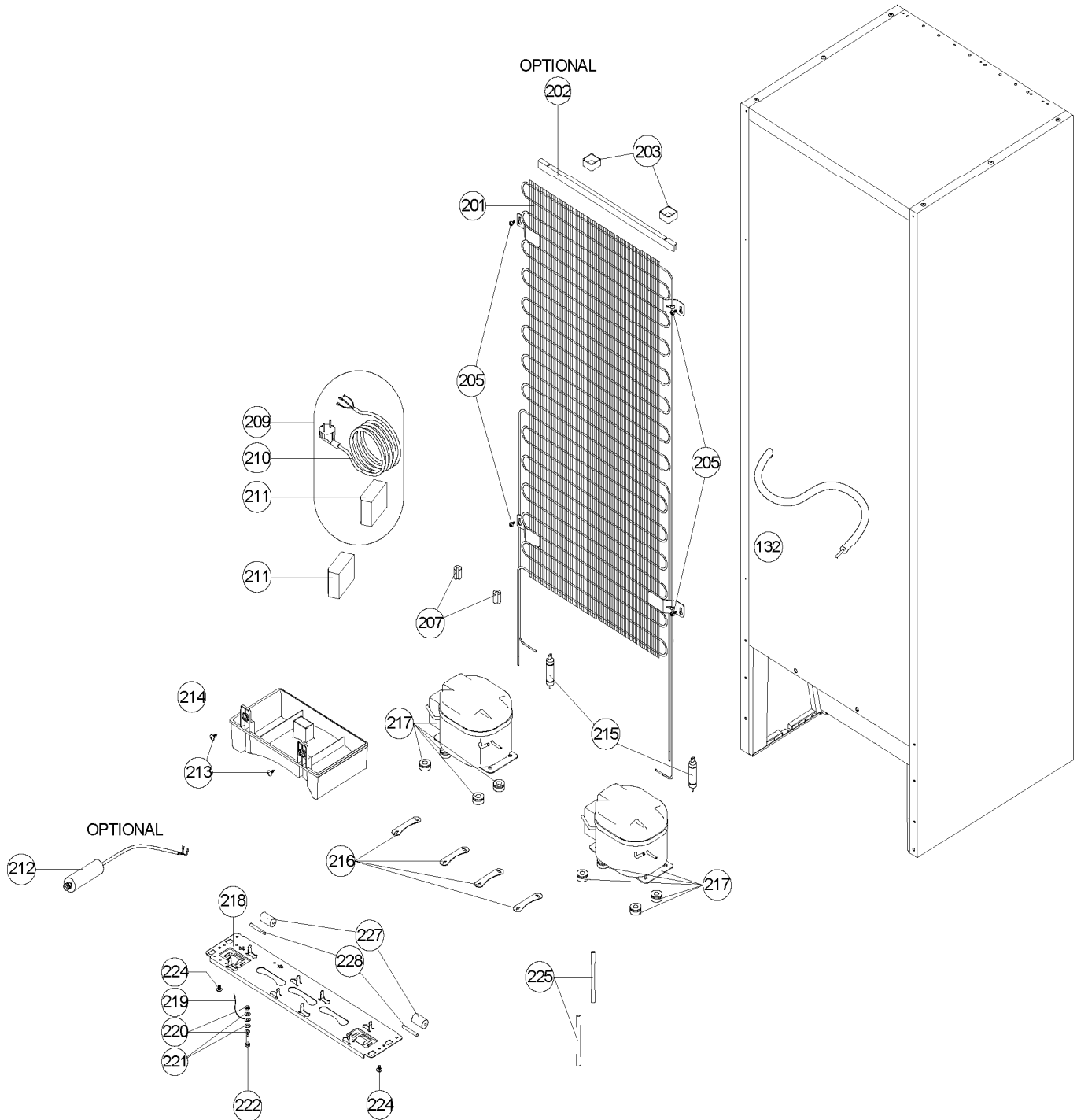


STANDARD DESIGN



FULL WIDTH DESIGN





NOTE : To find the correct code from the spare parts list, please consider that the compressor description with a higher number is the Freezer Compressor and lower number is the Refrigerator Compressor. For example, THG1352YKS is the compressor for FREEZER and THG1340YKS is for REFRIGERATOR. Same is applicable for the over load relays.