

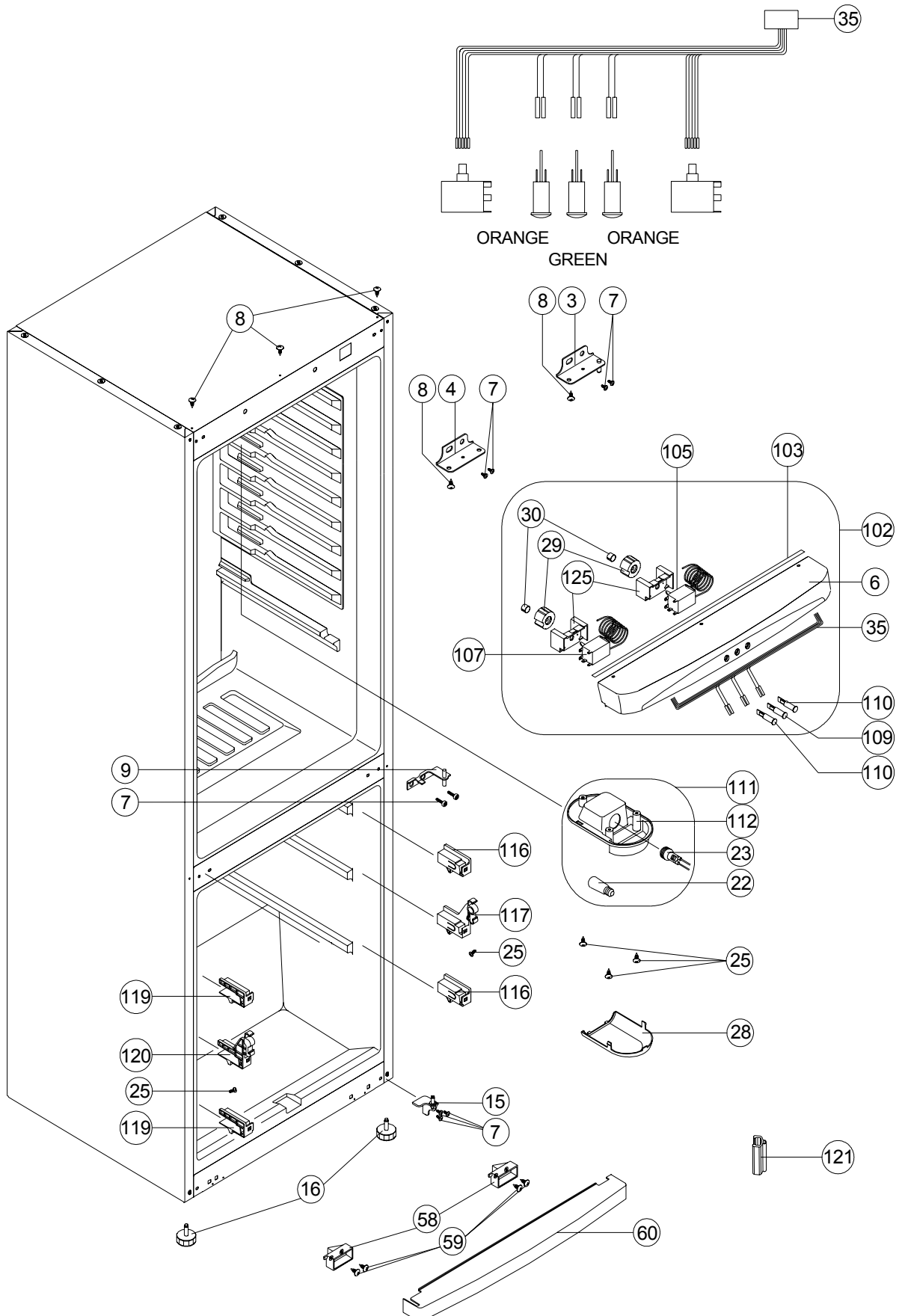
**NOTE :** On this exploded view, standard accessories drawings are used. According to your product, some changes may become on the accessories.

	<b>VESTEL COMBI</b>	<b>CUSTOMER SUPPORT</b>
	<b>ACCESSORY PARTS LIST</b>	

POSITION NUMBER	PART NAME
1	ASSY URT CAB/360
12	MIDDLE HINGE SCREW CAP (BIG)
13	DOOR SWITCH
14	TUNNEL DRAIN PLUG
17	ICE SCRAPER <i>(OPTIONAL)</i>
18	ICE TRAY <i>(OPTIONAL)</i>
37	R COMPARTMENT SHELF/345
38	SHELF TRIM R/345
39	CRISPER COVER/360
40	CRISPER COVER TRIM/345
41	CRISPER/360
43	WINE SHELF/345 (FIVE BOTTLE) <i>(OPTIONAL)</i>
90	GRIP TRAY ICE/360 <i>(OPTIONAL)</i>
91	F COVER/360
92	MIDDLE BASKET/360
93	BOTTOM BASKET/360
94	BASKET F DRAIN/360 <i>(DELETED AFTER DATE 13.11.2008)</i>
95	F EVAP TRIM/360
96	F EVAPORATOR ASSY/360
97	F DRAIN GR/360 <i>(DELETED AFTER DATE 13.11.2008)</i>
98	F DRAIN/360 <i>(DELETED AFTER DATE 13.11.2008)</i>
99	F DRAIN HOLDER/360 <i>(DELETED AFTER DATE 13.11.2008)</i>
100	ANTIVIBRATION (HEAD EXCHANGER)
164	DOOR HANDLE SCREW CAP

**ABBREVIATIONS :**

ASSY : ASSEMBLY  
 URT : URETHANE  
 CAB : CABINET  
 R : REFRIGERATOR  
 F : FREEZER





## VESTEL COMBI

### INTERIOR PARTS LIST

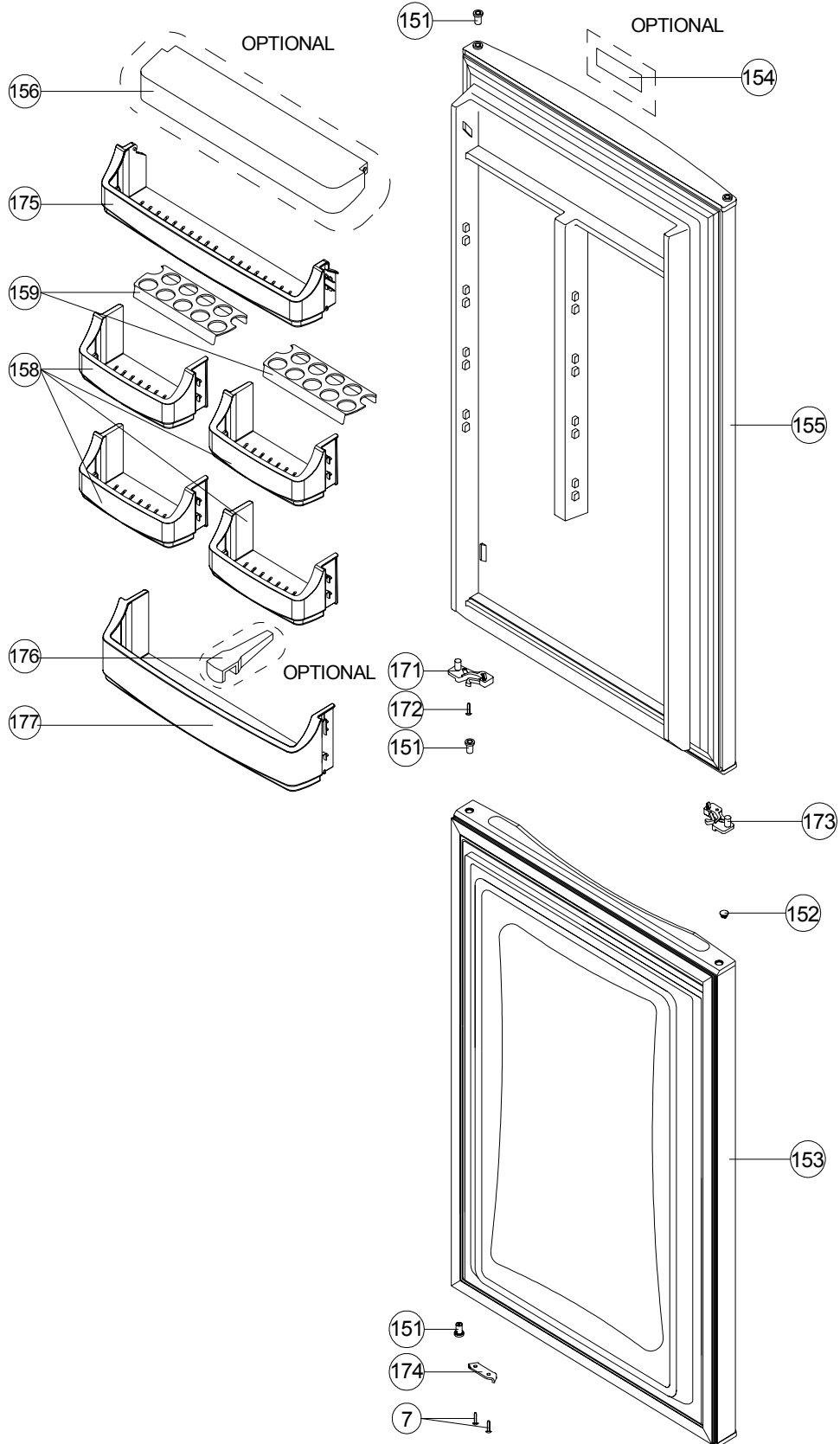
CUSTOMER  
SUPPORT

POSITION NUMBER	PART NAME
3	TOP HINGE/260 (WITH PIN)
4	TOP HINGE/260 (WITHOUT PIN)
6	HEAD PANEL/360
7	SCREW TT M5x14 YSB-F
8	SCREW ST 4.2*13 YHB-C
9	MIDDLE HINGE/345
15	BOTTOM HINGE/345
16	STATIONARY FOOT
22	LAMP (E14/220-240V/15W)
23	LAMP HOLDER-E14
25	SCREW KA 40*13 YSB-R-C-INOX
28	LAMP COVER/360
29	THERMOSTAT KNOB SRGF/360
30	THERMOSTAT KNOB SPRING/465
35	WIRING HARNESS/THERM/360 (O-G-O W.LAMP)
58	KICK PLATE HOLDER
59	SCREW ST 3.5*13 YSB-C
60	KICK PLATE/345
102	HEAD PANEL GR/360
103	HEAD PANEL SEAL/360
105	REFRIGERATOR THERMOSTAT
107	FREEZER THERMOSTAT
109	INDICATOR LAMP (GREEN) 360
110	INDICATOR LAMP (ORANGE) 360
111	LAMP BOX ASSY/360
112	LAMP BOX/360
116	F EVAP SUPPORT R/360
117	F COVER SUPPORT R/360
119	F EVAP SUPPORT L/360
120	F COVER SUPPORT L/360
121	THERMO CAPI BRACKET/360
125	THERMOSTAT HOLDER/360

#### **ABBREVIATIONS :**

O : ORANGE  
 G : GREEN  
 F : REEZER  
 R : RIGHT  
 L : LEFT  
 PLS : PLASTIC

**STANDARD DESIGN**



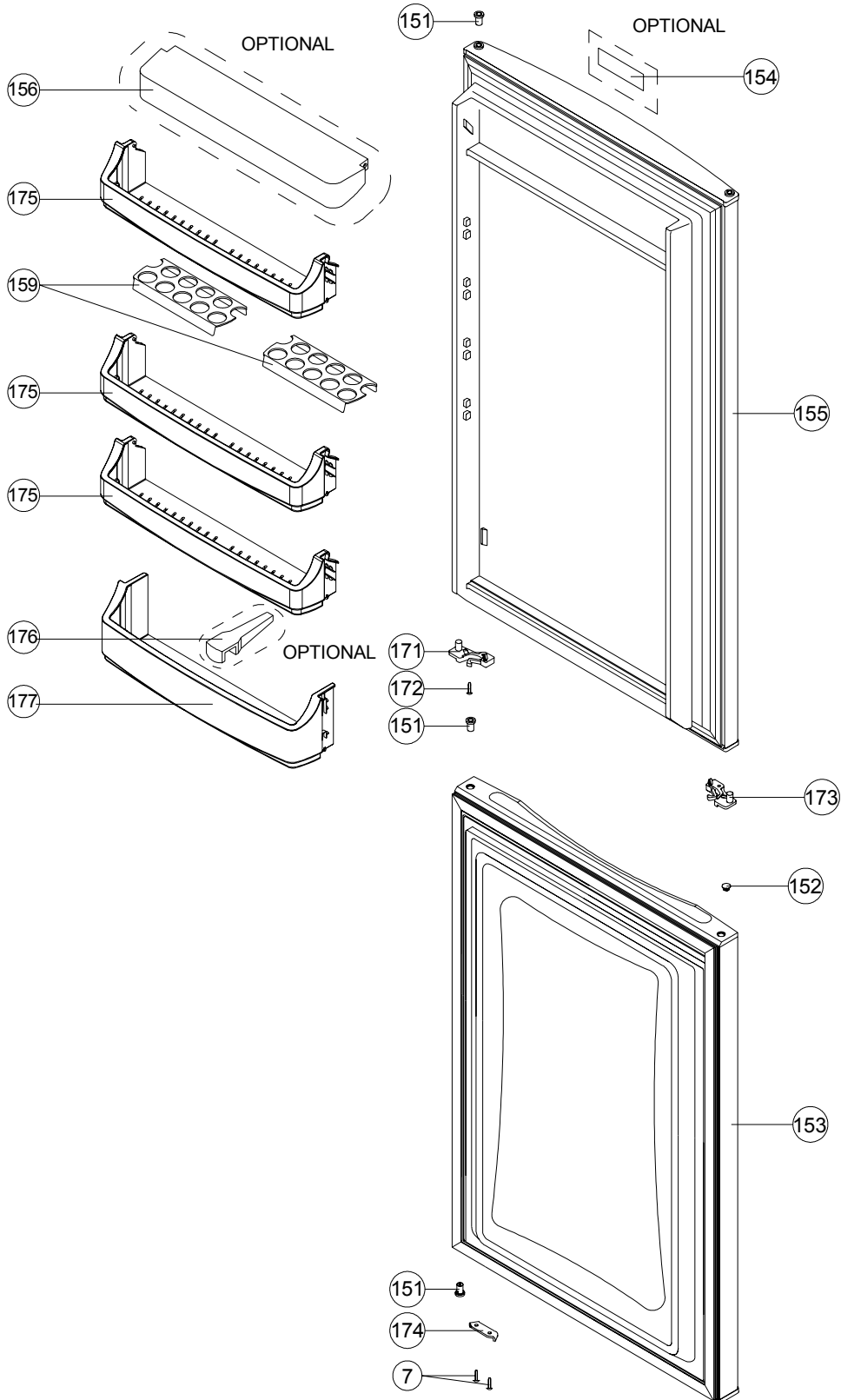
 <b>WHITE GOODS</b>	<b>VESTEL COMBI</b>	<b>CUSTOMER SUPPORT</b>
	<b>DOOR ASSY. PARTS LIST-1</b>	

POSITION NUMBER	PART NAME
7	SCREW TT M5x14 YSB-F
151	BUSHING/345P
152	BUSHING CAP
153	F DOOR ASSY/360V
154	LOGO (OPTIONAL)
155	R DOOR ASSY/360V
156	SHELF COVER/345 (OPTIONAL)
158	EGG SHELF/345
159	EGG HOLDER(I+II)345
171	CATCHER RIGHT
172	SCREW KA 35*12 YSB-C
173	CATCHER LEFT
174	R BOTTOM STOPPER
175	CHEESE/BUTTER SHELF/345
176	BOTTLE HOLDER (OPTIONAL)
177	BOTTLE SHELF/345

**ABBREVIATIONS :**

ASSY : ASSEMBLY  
R : REFRIGERATOR  
F : FREEZER

**FULL WIDTH DESIGN**



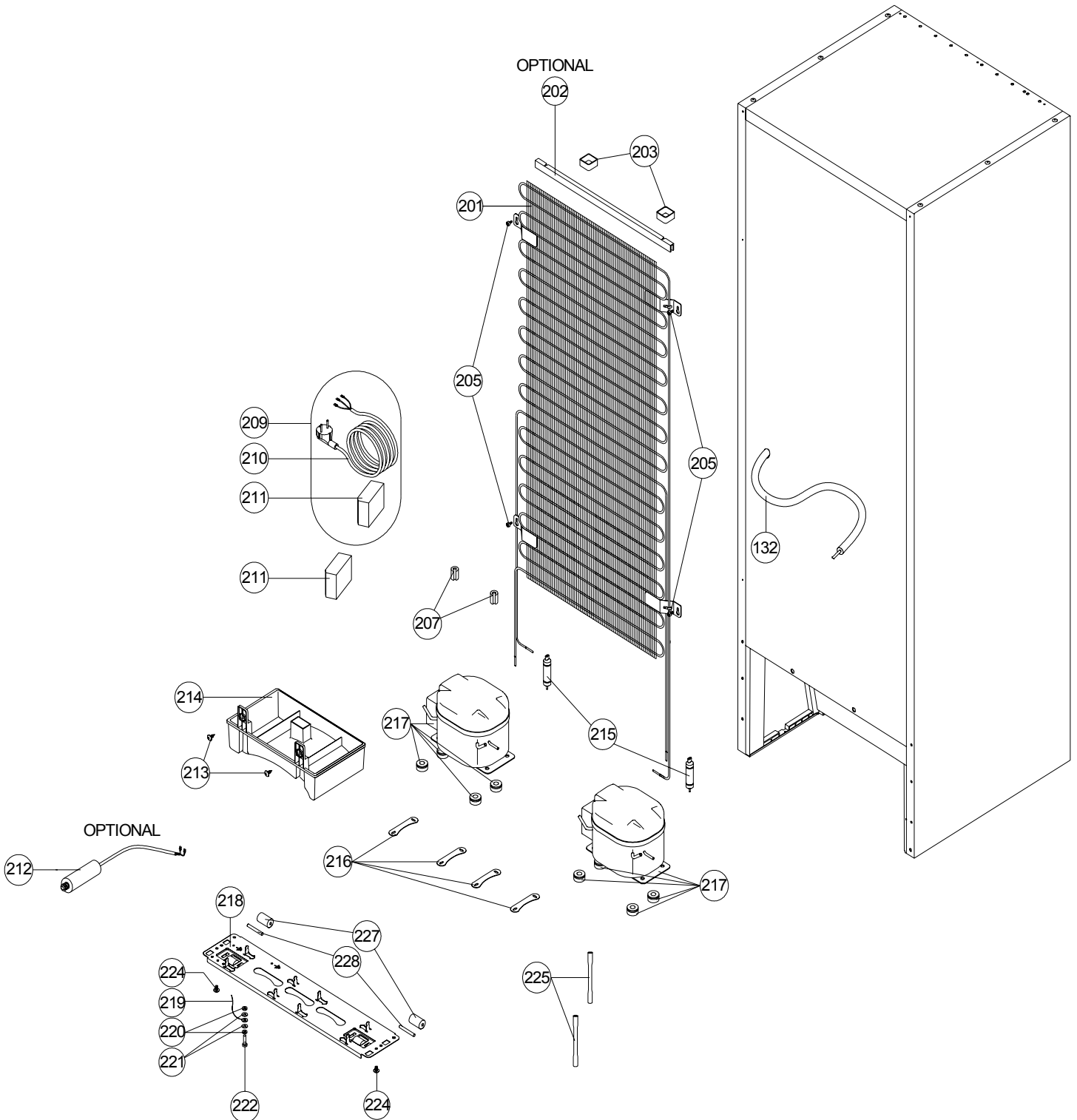
 <b>WHITE GOODS</b>	<b>VESTEL COMBI</b>	<b>CUSTOMER SUPPORT</b>
	<b>DOOR ASSY. PARTS LIST-2</b>	

POSITION NUMBER	PART NAME
7	SCREW TT M5x14 YSB-F
151	BUSHING/345P
152	BUSHING CAP
153	F DOOR ASSY/360V
154	LOGO (OPTIONAL)
155	R DOOR ASSY/360V FULLWIDTH
156	SHELF COVER/345 (OPTIONAL)
159	EGG HOLDER(I+II)345
171	CATCHER RIGHT
172	SCREW KA 35*12 YSB-C
173	CATCHER LEFT
174	R BOTTOM STOPER
175	CHEESE/BUTTER SHELF/345
176	BOTTLE HOLDER (OPTIONAL)
177	BOTTLE SHELF/345

**ABBREVIATIONS :**

ASSY : ASSEMBLY  
R : REFRIGERATOR  
F : FREEZER





**NOTE :** To find the correct code from the spare parts list, please consider that the compressor description with a higher number is the Freezer Compressor and lower number is the Refrigerator Compressor. For example, THG1352YKS is the compressor for FREEZER and THG1340YKS is for REFRIGERATOR. Same is applicable for the over load relays.

	<b>VESTEL COMBI</b>	<b>CUSTOMER SUPPORT</b>
	<b>UNIT PARTS LIST</b>	

POSITION NUMBER	PART NAME
132	COVER TUBE/360
201	MAIN CONDENSER/360
202	CONDENSER TRIM/345 (OPTIONAL)
203	SPACER
205	SCREW 4.8*13 DIN7981 TYSB W.O. WASHER
207	ANTIVIBRATION (CONDENSER)
209	POWER CORD GR
210	POWER CORD
211	OVER LOAD RELAY
211	OVER LOAD RELAY
212	CAPACITOR (OPTIONAL)
213	SCREW 4.2*9.5 DIN 7981 YSB
214	EVAPORATING TRAY/260
215	DRYER (XH9,7.5GR)
216	COMPR. FIXING BRACKET
217	FREEZER COMPRESSOR
217	REFRIGERATOR COMPRESSOR
218	COMPR. BASEMENT/360
219	GROUNDING WIRE
220	NUT M4*3.2 DIN 934 ZNK
221	WASHER 4.3*8*0.9 DIN 6798 ZNK
222	SCREW M4*16 DIN 933 ZNK
224	SCREW KA 50*14 WN 1412 EJOT
225	SERVICE TUBE (120*6*0,75)
227	FRONT/BACK WHEEL
228	REAR WHEEL PIN