

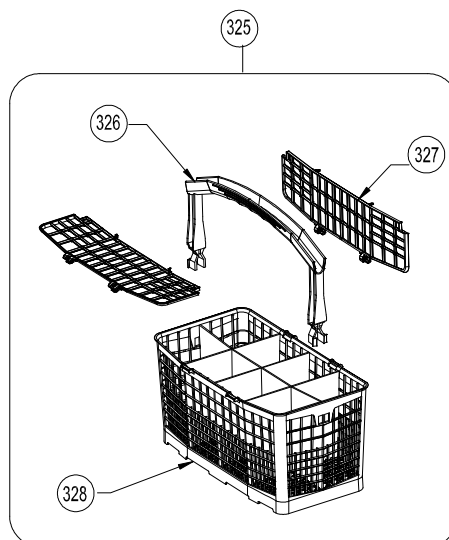
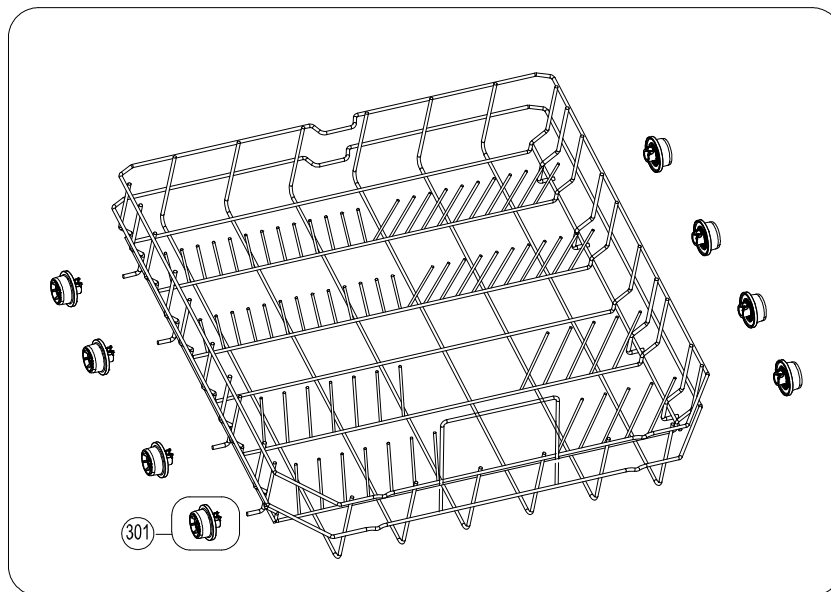
# VESTEL

WHITE GOODS

VESTEL DISWASHER MACH .

LOWER BASKET GROUP

CUSTOMER  
SUPPORT



NO	PART NAME
300	LOWER BASKET GROUP - FIXED COMB - ( 301 )
301	LOWER BASKET WHEEL GROUP
325	PLASTIC SET BASKET ( 326-327-328 )
326	PLASTIC BASKET HANDLE
327	PLASTIC BASKET COVER
328	PLASTIC BASKET

MAY 2018

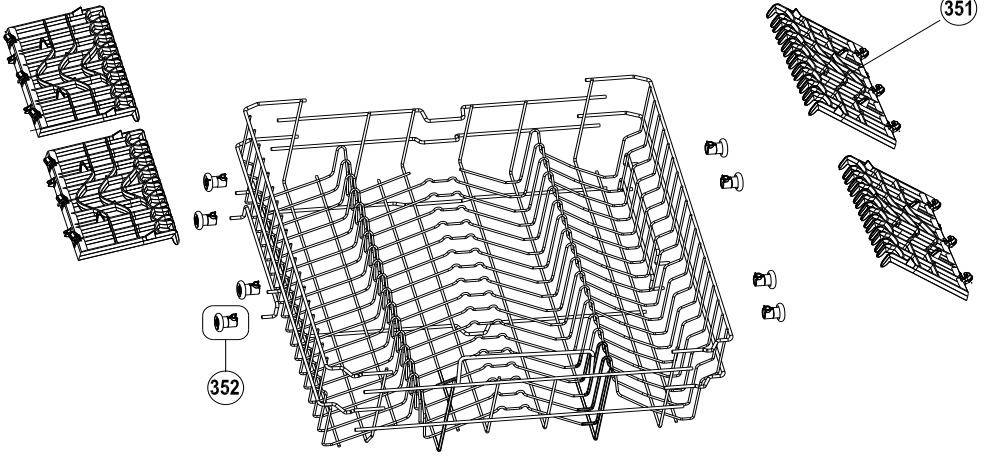
VESTEL DISWASHER MACH.

CUSTOMER  
SUPPORT

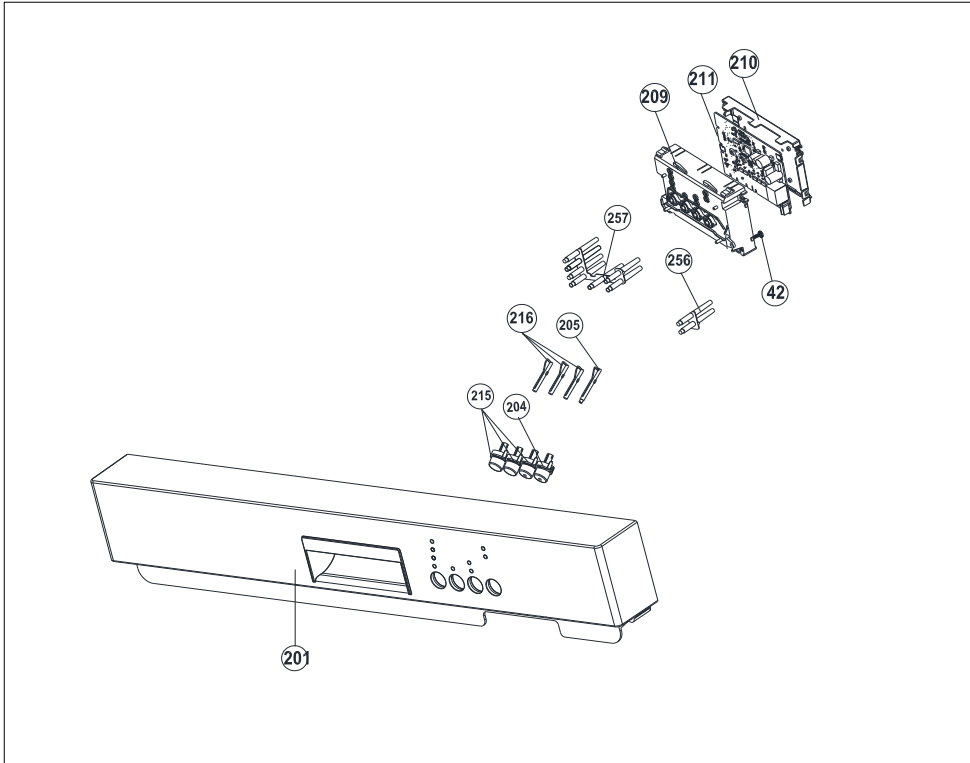
WHITE GOODS

UPPER BASKET GROUP

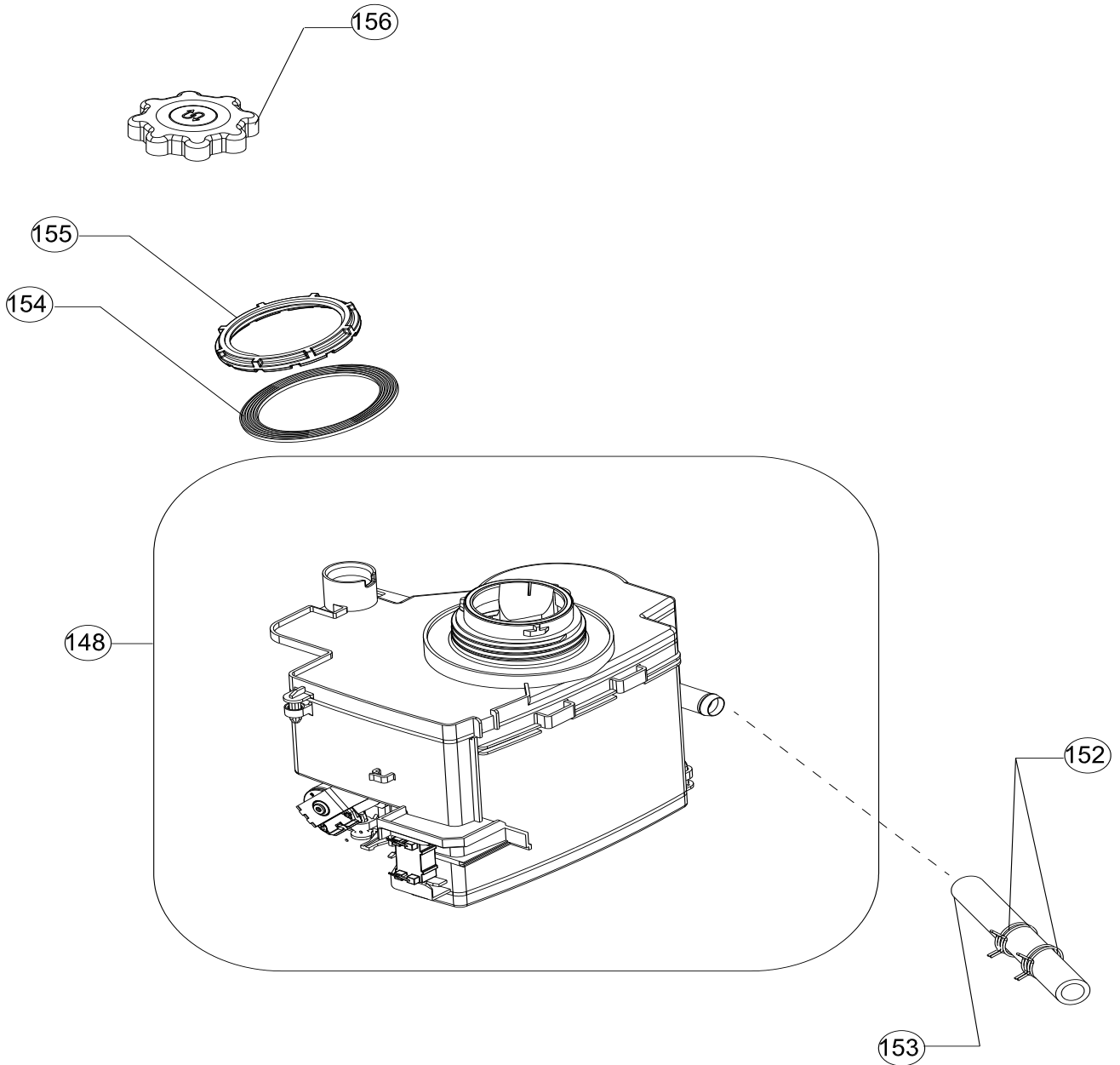
350



NO	PARÇA İSMİ
350	UPPER BASKET GR. (351- 352 )
351	UPPER BASKET MUG SHELVE
352	UPPER BASKET WHEEL GR.



NO	PART NAME
200	CON. PAN. GR. SRGF.(42-205-256-257-204-215-216-209 )
201	CON.PAN.SRGF
204	ELECTRONIC BUTTON-1
205	ELECTRONIC BUTTON SHAFT-1
209	PCB BOX- MAIN
210	PCB BOX COVER
211	ELECTRONIC CARD
215	ELECTRONIC BUTTON -2
216	ELECTRONIC BUTTON SHAFT-2
256	LIGHT GUIDE /TIGRIS/5LI
257	LIGHT GUIDE /TIGRIS/7LI
42	SCREW PT3,5X9 YSB



NO	PART NAME
148	WATER SOFTENER GR.WITH REED RELAY
152	CLAMP Dmax19,6X8,8
153	HOSE D12*3*160
154	WATER SOFTENER NUT GASKET
155	WATER SOFTENER NUT
156	SALT CAP GROUP (MAGNETIC VERSION)

**VESTEL**

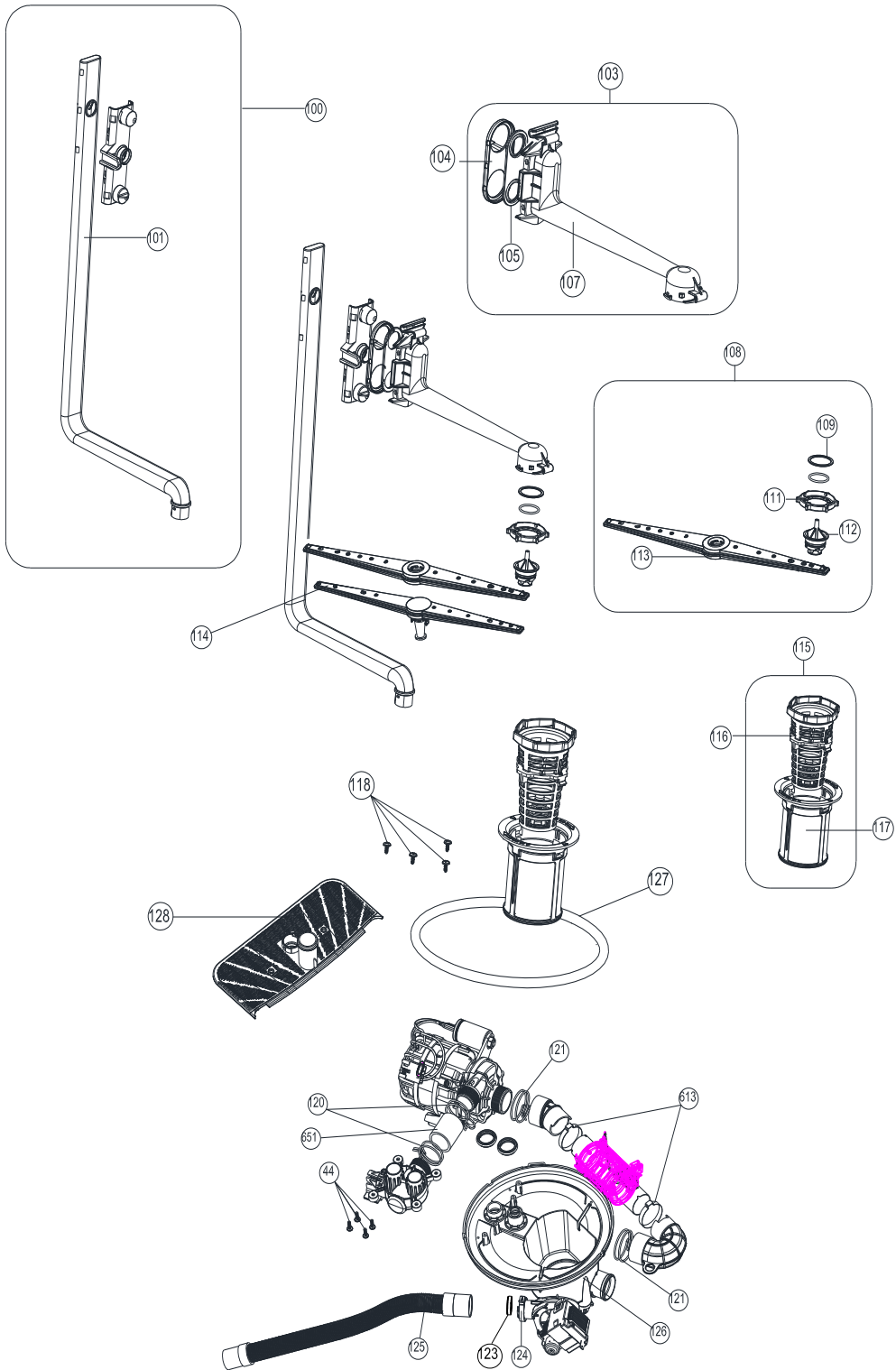
WHITE GOODS

VESTEL DISWASHER MACH .

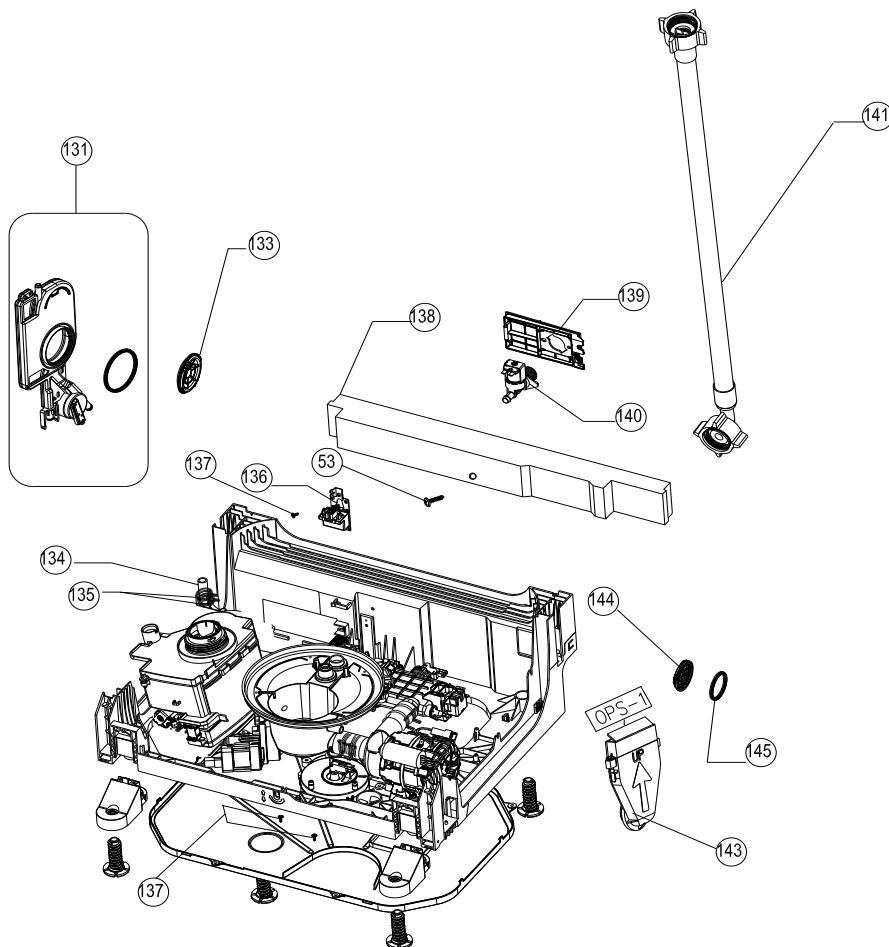
UPPER HYDROLIC GROUP

CUSTOMER

SUPPORT



NO	PART NAME
100	UPPER SPRAY ARM FEEDING CANAL-L GR (101)
101	UPPER SPRAY ARM FEEDING CANAL-L
103	UPPER SPRAY ARM SUPPORT GROUP ( 104-105-107 )
104	UPPER SPRAY ARM ADAPTER COVER
105	UPPER SPRAY ARM ADAPTER GASKET
107	UPPER SPRAY ARM SUPPORT
108	UPPER SPRAY ARM GROUP(113-112-111-109)
109	UPPER SPRAY ARM NUT PLASTIC
111	UPPER SPRAY ARM NUT
112	UPPER SPRAY ARM SHAFT
113	UPPER SPRAY ARM
114	LOWER SPRAY ARM
115	MICROFILTER GROUP ( 116-117 )
116	COURSE FILTER
117	MICROFILTER
118	SCREW PT4X12 YSB INOX
120	CLAMP Dmax36,4X14
121	CLAMP Dmax41X14,8
123	KLAPE
124	CLAMP Dmax29,4X11,4)
125	DRAIN HOSE 200 CM
126a	SUMP GR/60/FT/ECO(76-197-152-44-123-153-175-126)
126	SUMP
127	SUMP SEAL
128	SPRAY ARM SUPPORT
651	HOSE D28,5*3*38,5(MOT-ECO)/45/FT
44	SCREWPT4X12YSB



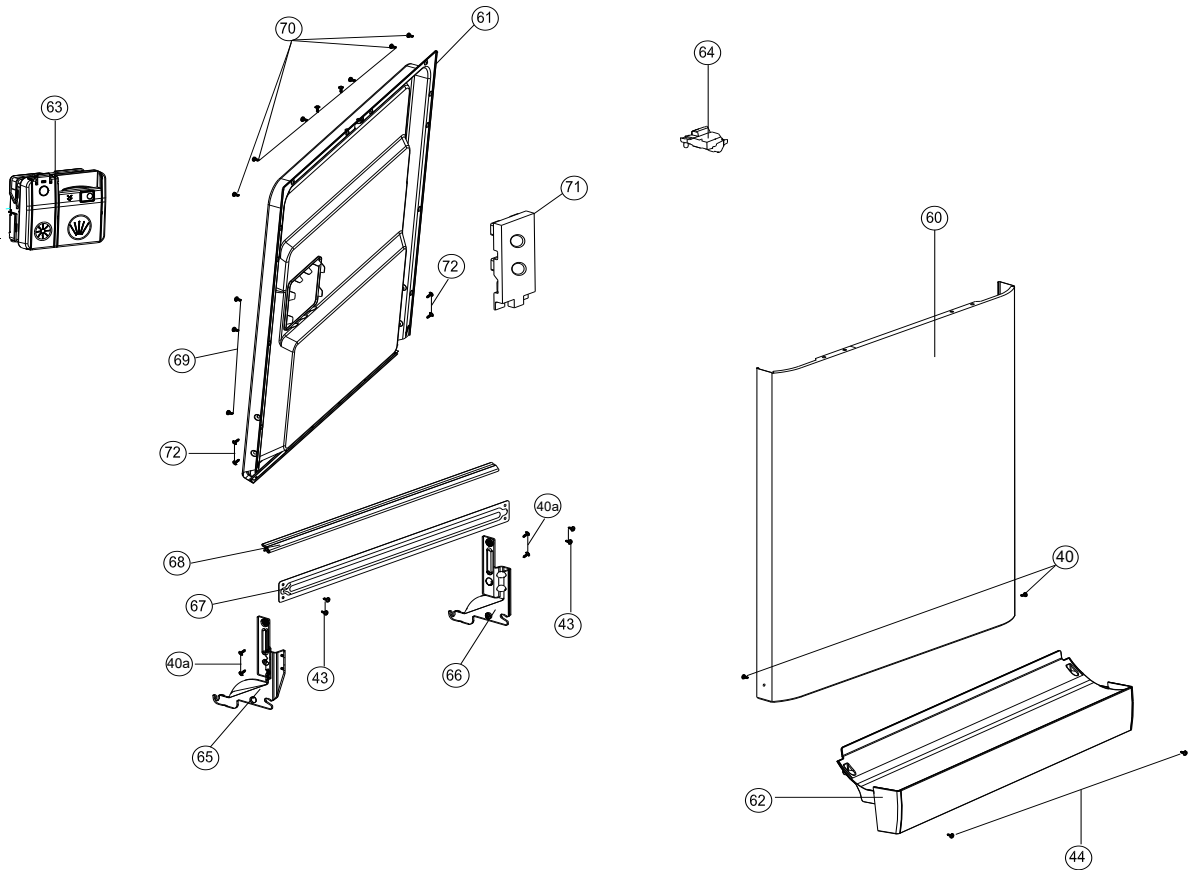
NO	PART NAME
131	AIR BREAK GROUP
133	AIR BREAK NUT
134	HOSE D10*3*230
135	CLAMP Dmax16,8x8,4
136	PARASITE FILTE
137	SCREW PT3X9 YSB
138	CONCRETE WEIGHT
139	BASEMENT HOSE.CON.PLS.
140	WATER INLET VALVE
141	WATER INLET VALVE HOSE
143	ACTIVE DRYING UNIT/2
144	STEAM CONDERSER NUT
145	STEAM CONDERSER SEALING NUT
53	SCREW 4X42,5 YHB

**VESTEL**

WHITE GOODS

VESTEL DISWASHER MACH .

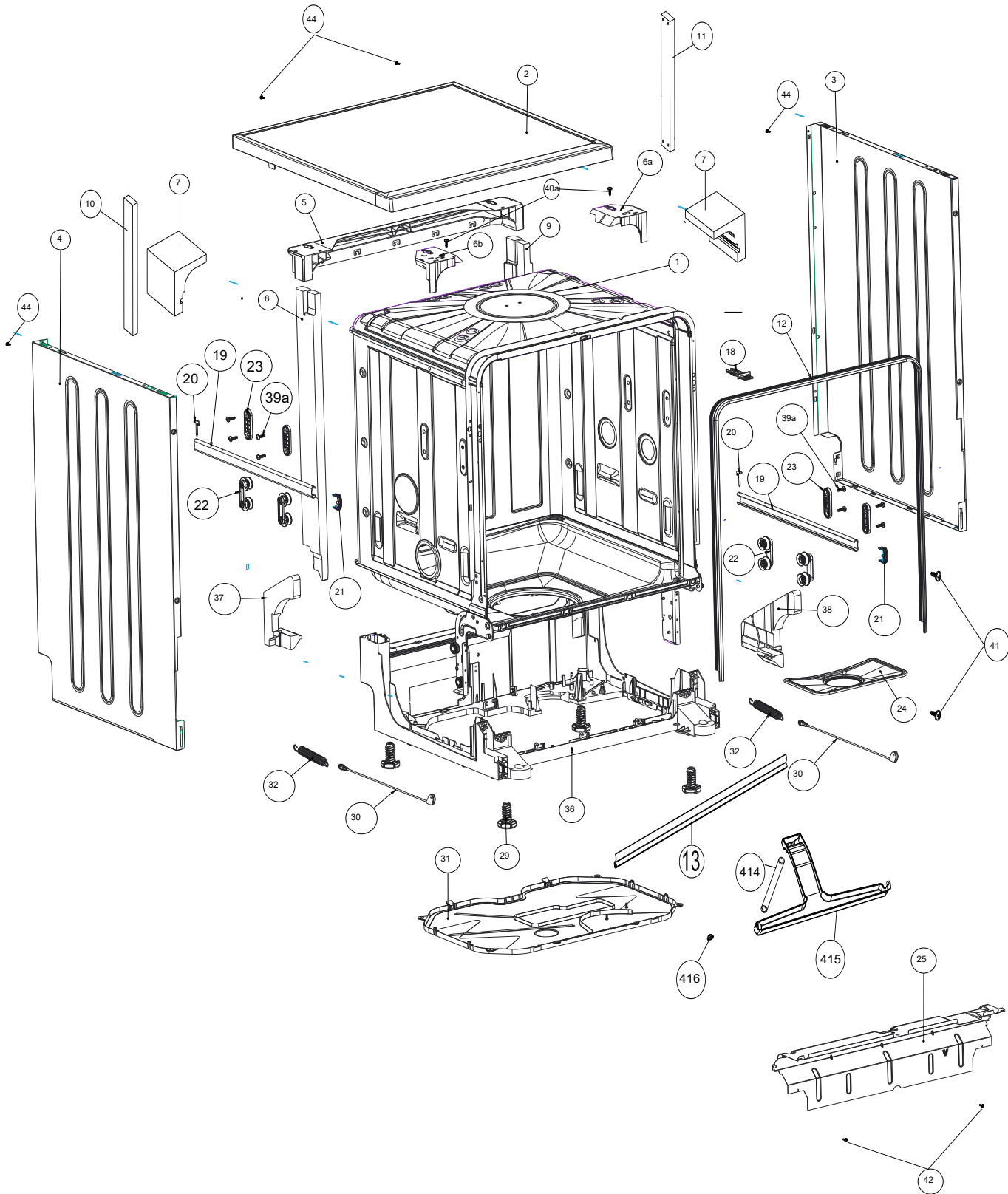
DOOR GROUP

CUSTOMER  
SUPPORT

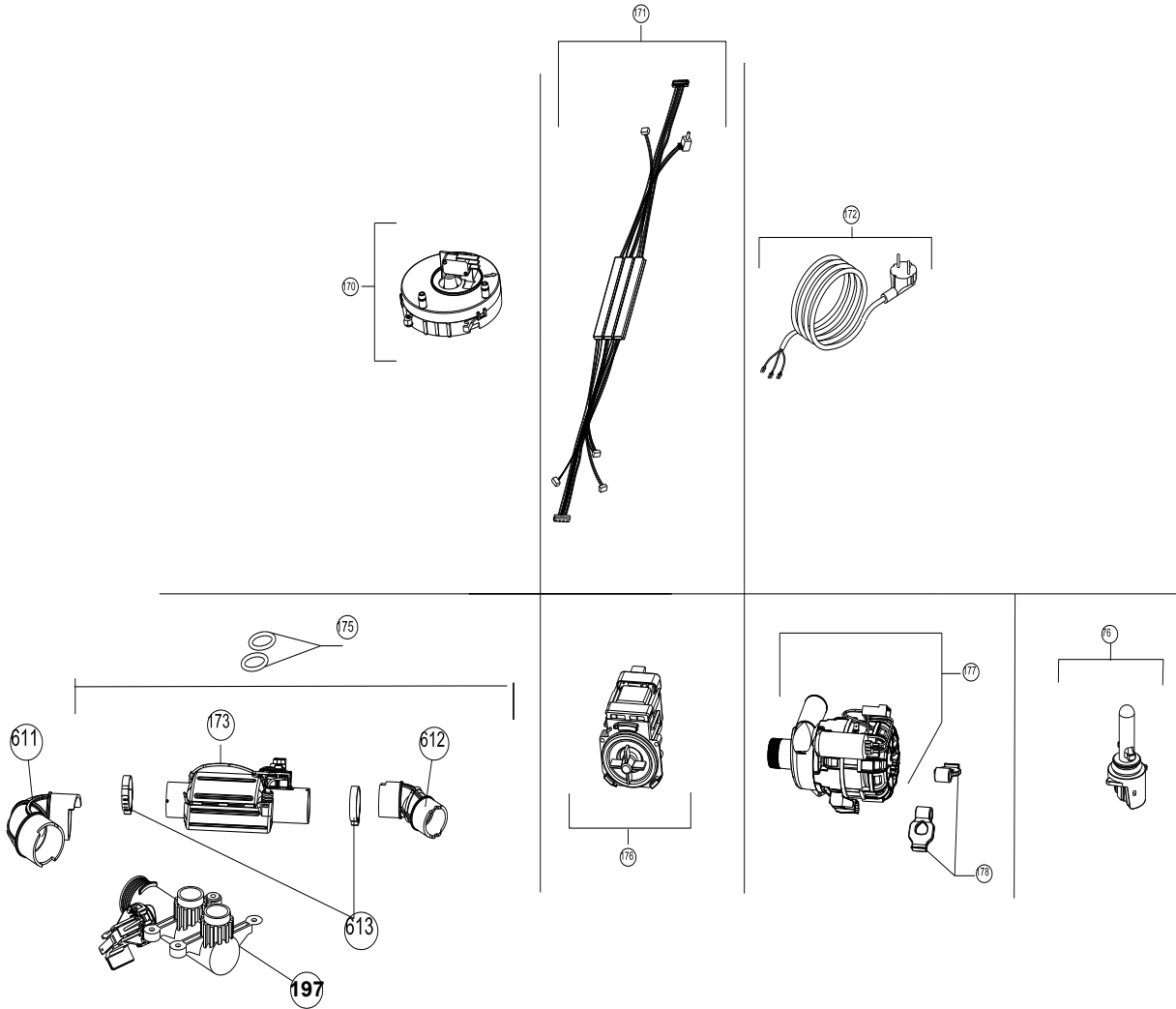
NO	PART NAME
60	DOOR OUTSIDE
61	DOOR INSIDE SHEETIRON GROUP
62	PLASTIC KICK PLATE
63	DISPANSER WITHOUT REED RELAY
64	DOOR LOCK
65	HINGE MOVEMENT SHEETIRON LEFT
66	HINGE MOVEMENT SHEETIRON RIGHT
67	TWISTED SHEETIRON
68	DOOR SEAL
69	SCREW ST 3,9X12 FLAT HEAD INOX
70	SCREW PT4X14 FLAT HEAD INOX
71	DOOR SUPPORT STYROFOAM
72	SCREW M5X10 TORK HEAD (S)
43	SCREW M4X9 PAN HEAD (S)
44	SCREW PT 4X12 PAN HEAD COLLAR CROSS
40a	SCREW M4X6 YSB SPIRAL

MAY 2018





NO	PART NAME
1	TUBE ASSEMBLY
2	UPPER TRAY GROUP
3	FLAT/SIDE PANEL SHEETIRON-RIGHT
4	FLAT/SIDE PANEL SHEETIRON-LEFT
5	REAR UPPER PLS.CROSS BAR
6a	UPPER TRAY SUPPORT PART/RIGHT
6b	UPPER TRAY SUPPORT PART - LEFT
7	TUB TOP CORNER STYROFOAM
8	BACK CROSS BAR STYROFOAM-LEFT
9	BACK CROSS BAR STYROFOAM-RIGHT
10	FRONT CROSS BAR STYROFOAM-LEFT(ND)
11	FRONT CROSS BAR STYROFOAM-RIGHT(ND)
12	TUB GASKET
13	TOP TUB OF GASKET / <b>OPTIONEL</b>
18	LATCH DOOR
19	UPPER BASKET RAIL
20	UPPER BASKET STOPPER-REAR
21	UPPER BASKET RAIL LOCK-FRONT
22	UPPER BASKET RAIL CON.BRA.GROUP
23	UPPER BASKET RAIL CON.BRA -REAR
24	METAL FILTER
25	KICKPLATE SHEETIRON
29	ADJUSTABLE FOOT
30	HINGE CORD GROUP
31	LOWER COVER
32	HINGE SPRING
36	BASEMENT GR/SOLO-2
37	TUB LOWER CORNER STYROFOAM-LEFT
38	TUB LOWER CORNER STYROFOAM-RIGHT
39a	SCREW PT5X20 TORX WITH RONDELA
40a	SCREW M4X6 SB
41	SCREW ST 3.9X9.5 PAN HEAD (S)
42	SCREW PT3,5X9 YSB
44	SCREWPT4X12YSB
414	OVERFLOW PLAST C HOSE/PVC/UNSTRUNG
415	OVERFLOW PLASTIC
416	BOTTOM TUB OVERFLOW GASKET



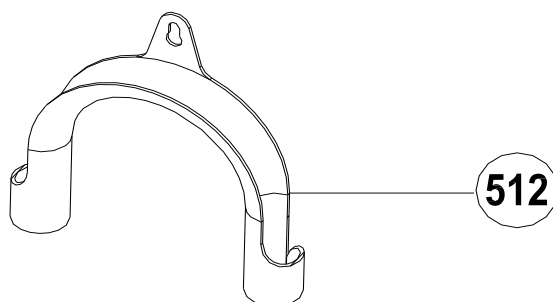
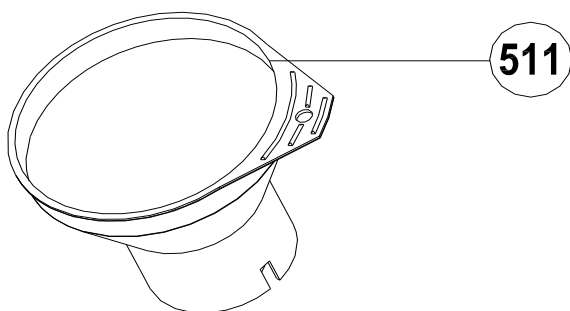
NO	PART NAME
170	FLOATER
171	CABLE HARNESS
172	POWER CABLE 180cm/WHITE
173	HEATER FLOW THROUGH
175	HEATER CASING O-RING
176	DRAIN PUMP
177	WASHING PUMP
178	WASHING PUMP VINE SUPPORT
76	NTC/SLIM
611	HOSE HEATER-ECO
612	HOSE PUMP-HEATER
613	HOSE HANDCUFFS/FLOW THROUGH
197	ECO GR/FT

**VESTEL**

WHITE GOODS

VESTEL DISWASHER MACH .

OPTIONAL PARTS

CUSTOMER  
SUPPORT

NO	PART NAME
511	SALT FUNNEL
512	DRAIN HOSE COAT RACK

MAY 2018