

VESTEL REFRIGERATOR SERVICE MANUAL



VESTEL MODEL:

CN 360V

MODEL:

BCR 336 (FRANCE / VESTEL FRANCE / BLUESKY)

CODE :

10015118

<i>CONTENTS</i>	<i>PAGE</i>
1. <i>SPECIFICATIONS</i>	1-2
2. <i>ASSEMBLE & DISASSEMBLE</i>	
❖ <i>Changing to right hand</i>	3-5
❖ <i>Changing the thermostat knob</i>	5
3. <i>INSTRUCTIONS</i>	
❖ <i>Thermostat knob</i>	6
❖ <i>Display panel</i>	6
4. <i>REFRIGERANT CYCLE DIAGRAM</i>	7
5. <i>MACHINE ROOM VIEW</i>	8
6. <i>CIRCUIT DIAGRAM</i>	9
7. <i>INTERIOR PARTS</i>	10
8. <i>INTERIOR PARTS LIST</i>	11
9. <i>ACCESSORY PARTS</i>	12
10. <i>ACCESSORY PARTS LIST</i>	13
11. <i>DOOR ASSY. PARTS</i>	14
12. <i>DOOR ASSY. PARTS LIST</i>	15
13. <i>UNIT PARTS</i>	16
14. <i>UNIT PARTS LIST</i>	17

VESTEL WHITE GOODS	VESTEL REFRIGERATOR	SEPTEMBER 2002
	SPECIFICATIONS	

SPECIFICATIONS - BCR 336

	BCR 336
CLIMATE TYPE	N (NORMAL)
PERFORMANCE (STAR RATING)	4 STAR
DOOR COLOR	WHITE
DOOR	2 SIDE AVAILABLE
DOOR INSULATION	CYCLOPENTAN
INSULATION	CYCLOPENTAN
LEVELLING FOOT	2
REFRIGERATOR GASKET	WHITE
FREEZER GASKET	WHITE

ELECTRICAL SPECIFICATIONS

	BCR 336
VOLTAGE/FREQUENCY	220-240 V / 50 Hz
POWER OUTPUT	350 W
ENERGY CONSUMPTION	1.34 kWh / 24h
CURRENT	2.5 A
LAMP TYPE/POWER	E14/220-240V/15W
ENERGY CLASS	B

COMPRESSOR

	BCR 336
FREEZER COMPRESSOR TYPE	BPM1111Z(220-240V,50Hz)
REFRIGERATOR COMPRESSOR TYPE	BPM1084Z

RELAY

	BCR 336
RELAY TYPE (FREEZER)	1260001
RELAY TYPE (REFRIGERATOR)	1260001
THERMIC TYPE (FREEZER)	T0062/26
THERMIC TYPE (REFRIGERATOR)	T0127/26

THERMOSTAT

	BCR 336
FREEZER THERMOSTAT	DNFS077B1121
REFRIGERATOR THERMOSTAT	DNFS077B6649

COOLING SYSTEM

	BCR 336
FREEZING CAPACITY	11.5 kg/24h
DRYER	7.5 gr.
DEFROST TYPE	Semi Automatic
REFRIGERANT	R 134a
REFRIGERANT CHARGE (FREEZER)	80 gr.
REFRIGERANT CHARGE (REFRIGERATOR)	50 gr.
CAPILLARY TUBE	0.71 x 2500 mm

VESTEL WHITE GOODS CONSUMER SERVICE	TECHNICAL DEPARTMENT
---	---------------------------------------

VESTEL WHITE GOODS	VESTEL REFRIGERATOR	SEPTEMBER 2002
	SPECIFICATIONS	

TEMPERATURE CONTROL

	BCR 336
FREEZER THERMOSTAT ON	- 21.0°C
FREEZER THERMOSTAT OFF	- 31.0°C

DIMENSIONS

	BCR 336
REFRIGERATOR VOLUME GROSS (l)	232
FREEZER VOLUME GROSS (l)	113
REFRIGERATOR VOLUME NET (l)	228
FREEZER VOLUME NET (l)	108
WEIGHT (kg)	73.2
HEIGHT (mm)	1850
DEPTH (mm)	600
WIDTH (mm)	595

PACKAGED DIMENSIONS

	BCR 336
WEIGHT (kg)	80.5
HEIGHT (mm)	1916
DEPTH (mm)	668
WIDTH (mm)	664

FREEZER ACCESSORY

	BCR 336
GRIP TRAY ICE	1
ICE TRAY	2
ICE SCRAPER	1
BASKET	2

REFRIGERATOR ACCESSORY

	BCR 336
SHELF	3
CRISPER	2
CRISPER COVER	1
TUNNEL DRAIN PLUG	1

DOOR ACCESSORY

	BCR 336
SHELF	6
EGG HOLDER	1
BOTTLE HOLDER	1

VESTEL WHITE GOODS CONSUMER SERVICE	TECHNICAL DEPARTMENT
--	---------------------------------------

VESTEL WHITE GOODS	VESTEL REFRIGERATOR	SEPTEMBER 2002
	ASSEMBLE & DISASSEMBLE	

A- Changing The Doorway Direction to Right Hand

1- Unscrew the two screws which are fixing the middle hinge and one screw which is located near the middle hinge. (FIG-1)

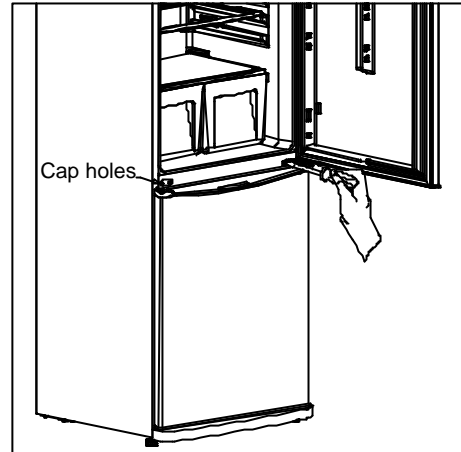


Figure -1

2- Dismantle the refrigerator and freezer door from cabinet by pulling towards to you together with the middle hinge. (FIG-2)

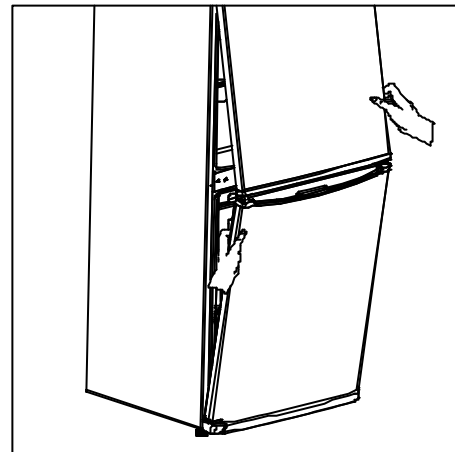


Figure -2

3- Take off the kick plate by pulling forward. Unscrew the bottom hinge fixing screws and remove it. Unscrew the pin of hinge and screw again changing the direction. (see detail A) Then assemble the hinge to bottom left side of refrigerator. (FIG-3)

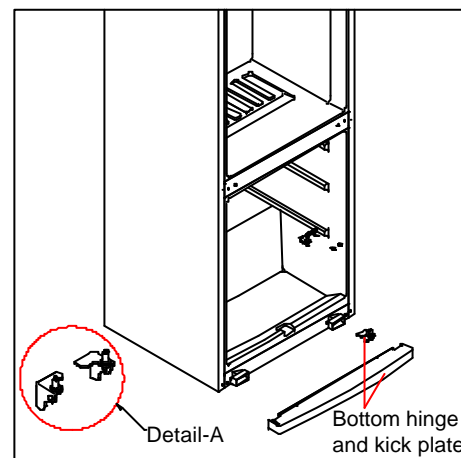


Figure -3

VESTEL WHITE GOODS CONSUMER SERVICE	TECHNICAL DEPARTMENT
---	---------------------------------------

VESTEL WHITE GOODS	VESTEL REFRIGERATOR	SEPTEMBER 2002
	ASSEMBLE & DISASSEMBLE	

A- Changing The Doorway Direction to Right Hand

4- Place the two big taps and one small tap as shown in the figure. (FIG-4)

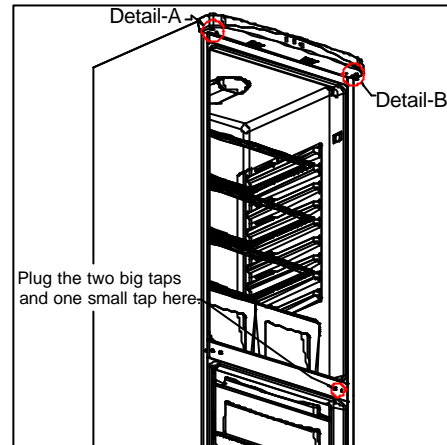


Figure -4

5- Break this ear and cut circular hole. (FIG-5/Detail-A)

Unscrew and remove the tap hinge pin and screw on the top hinge on the left side. (FIG-5/Detail-B)

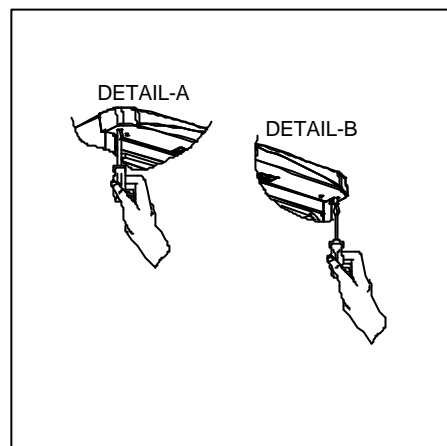


Figure -5

6- Take out the bushing and bushing caps and reassemble them by changing their places. Take out bush and stopper and reassemble them changing their places. (FIG-6)

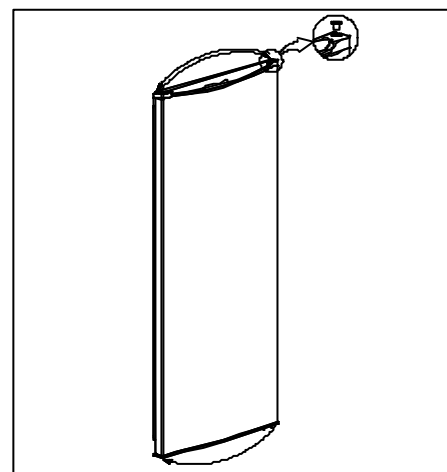


Figure -6

VESTEL WHITE GOODS CONSUMER SERVICE	TECHNICAL DEPARTMENT
---	---------------------------------------

VESTEL WHITE GOODS	VESTEL REFRIGERATOR	SEPTEMBER 2002
	ASSEMBLE & DISASSEMBLE	

A- Changing The Doorway Direction to Right Hand

7- Take out the bushing and bushing caps and reassemble them by changing their places. Take out bush and reassemble it by changing its' places and remove the right stopper and reassemble it to the left side by using left stopper. (FIG-7)

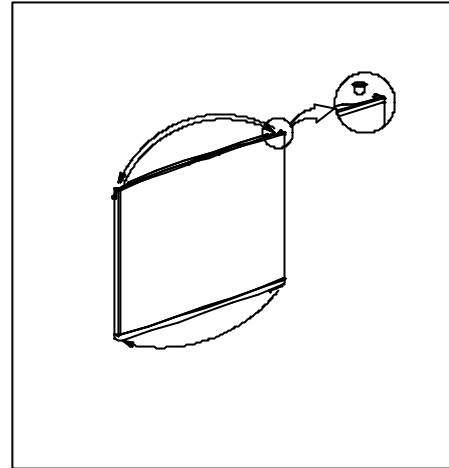


Figure -7

8- Assemble the freezer and refrigerator door with the middle hinge, fix the middle hinge by tightening the screws. Finally, by using a knife out left side of the kick plate and assemble it. (FIG-8)

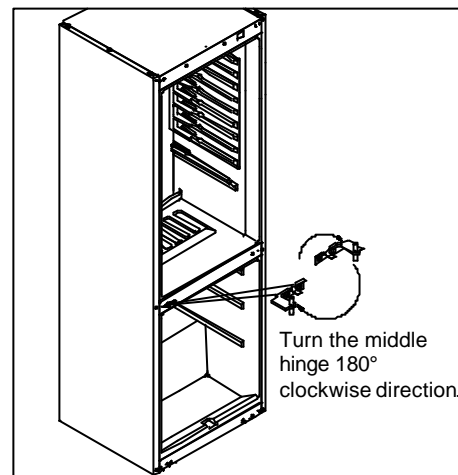


Figure -8

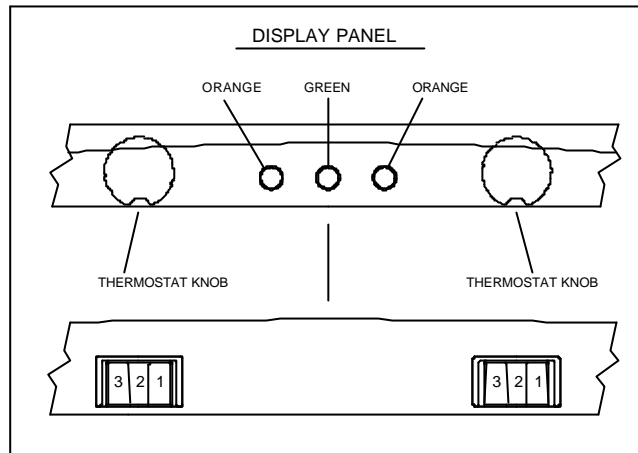
B- Changing The Thermostat

- 1- Unscrew the three head panel bolts than take out the head panel by pulling towards to forward.
- 2- Disconnect to wire connector.
- 3- Take out the second shelf from bottom.
- 4- Take out the plastic holder which is fixing thermostat bulb.
- 5- Take out the thermostat bulb by pulling.
- 6- Take out thermostat holder by slightly stretching head panel.
- 7- Take out the thermostat knob by pulling forward.
- 8- Loosen the nut which is fixing the thermostat.
- 9- Replace the thermostat with new one.
- 10- Assemble the thermostat by applying following steps backwards.

VESTEL WHITE GOODS CONSUMER SERVICE	TECHNICAL DEPARTMENT
--	---------------------------------

VESTEL WHITE GOODS	VESTEL REFRIGERATOR	SEPTEMBER 2002
	INSTRUCTIONS	

A- Thermostat Knob



You may adjust freezer temperature automatically by thermostat knob. If you turn the thermostat knob to "0" position freezing is stop.

Positions of thermostat knob;

5: Is a SUPER FREEZING position. When a lot of food place inside of appliance, adjust the thermostat knob super freezing position (5). When the freezer temperature comes to require temperature readjust the thermostat knob to old position.

3-4: Is the recommended value for normal usage.

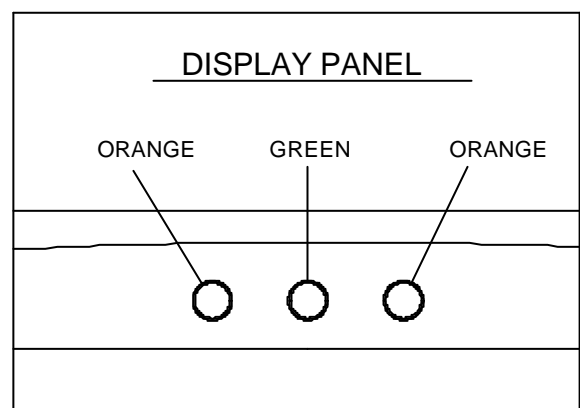
1-2: Use when require less freezer.

B- Display Panel

ORANGE LIGHT: When the thermostat knob super freezing position (5) orange light will lit.

GREEN LIGHT: During the plugging of the appliance green light is lit.

ORANGE LIGHT: When the temperature of freezer less than require temperature red light will lit. Turn the thermostat knob to super freezing position (5) up to orange light is off than readjust the thermostat to old position.



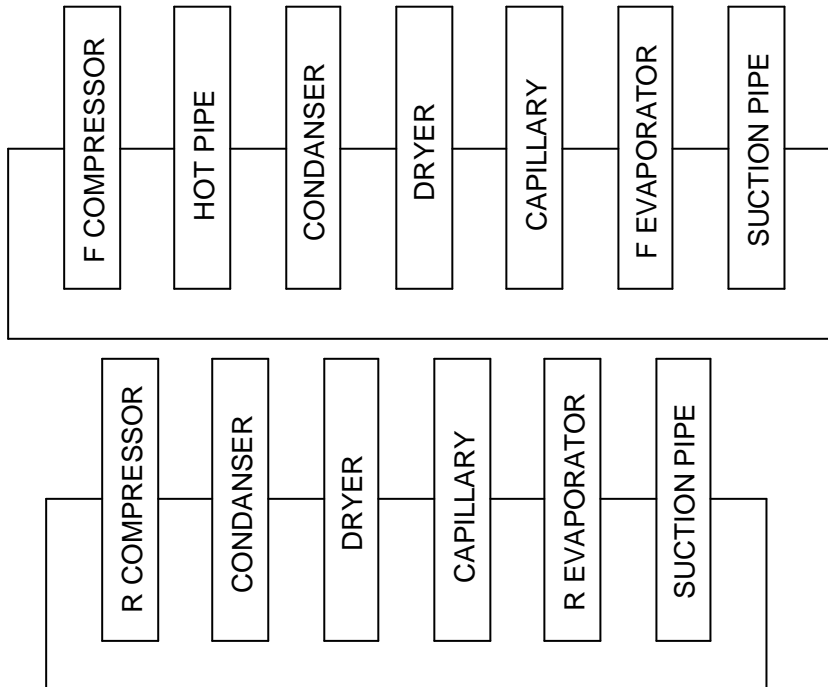
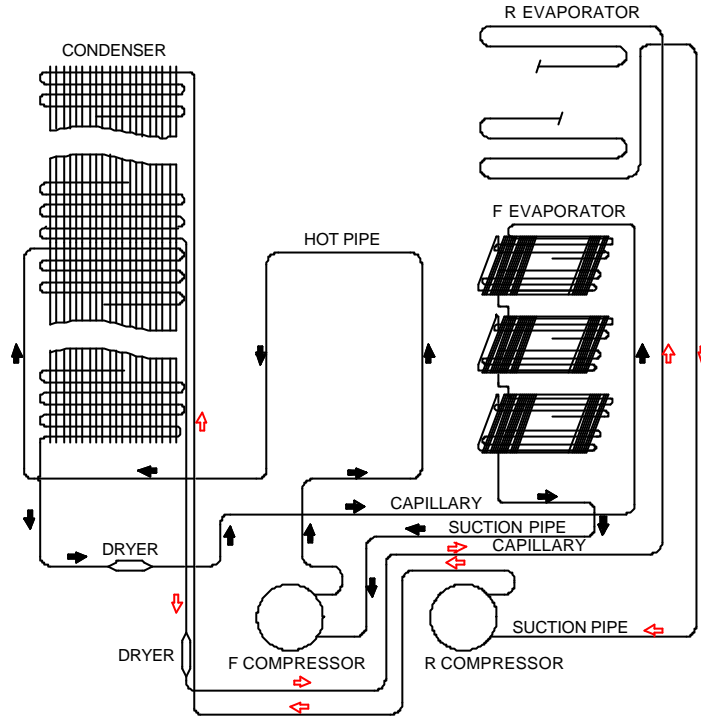
VESTEL
WHITE GOODS CONSUMER SERVICE

TECHNICAL
DEPARTMENT

VESTEL
WHITE GOODS

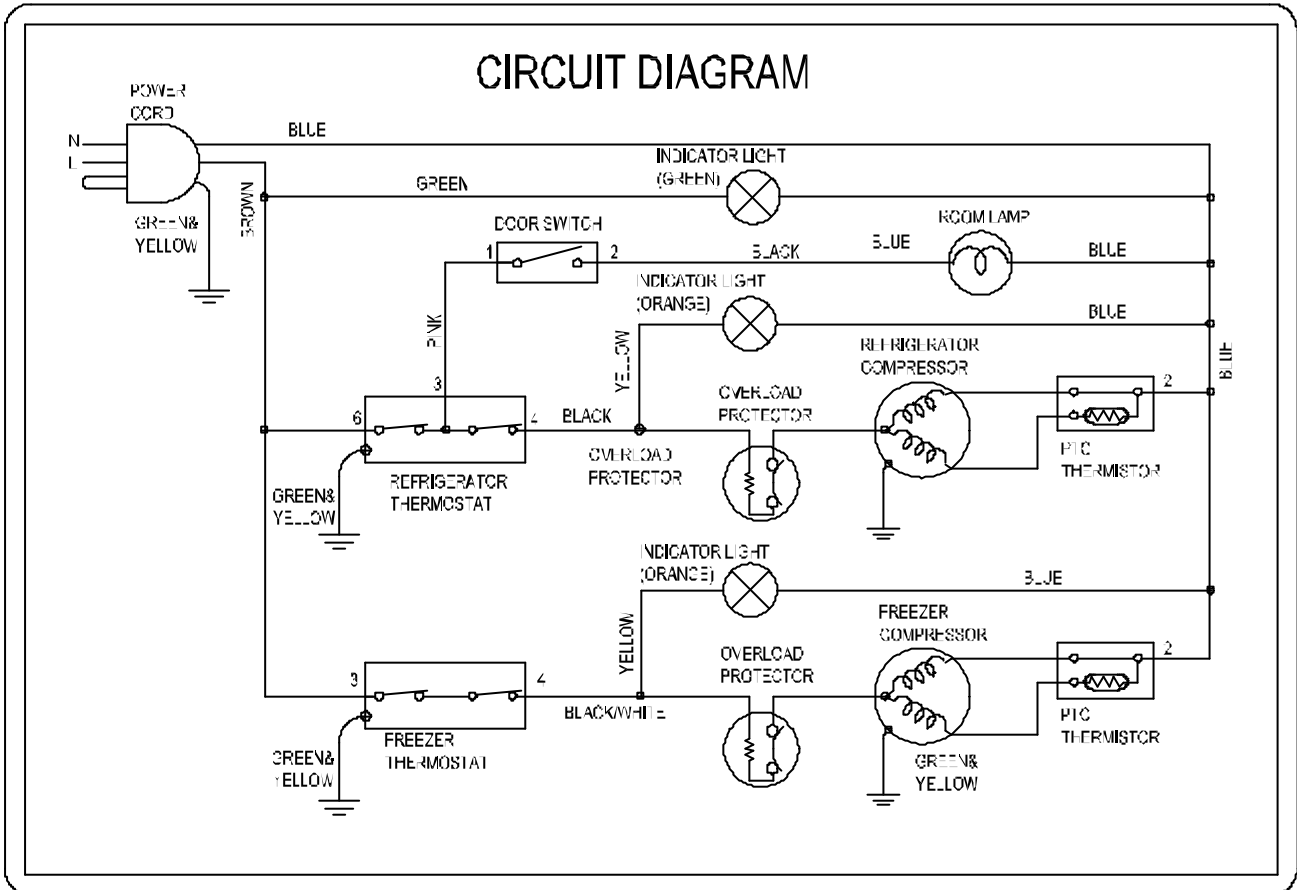
VESTEL REFRIGERATOR
REFRIGERANT CYCLE DIAGRAM

SEPTEMBER
2002

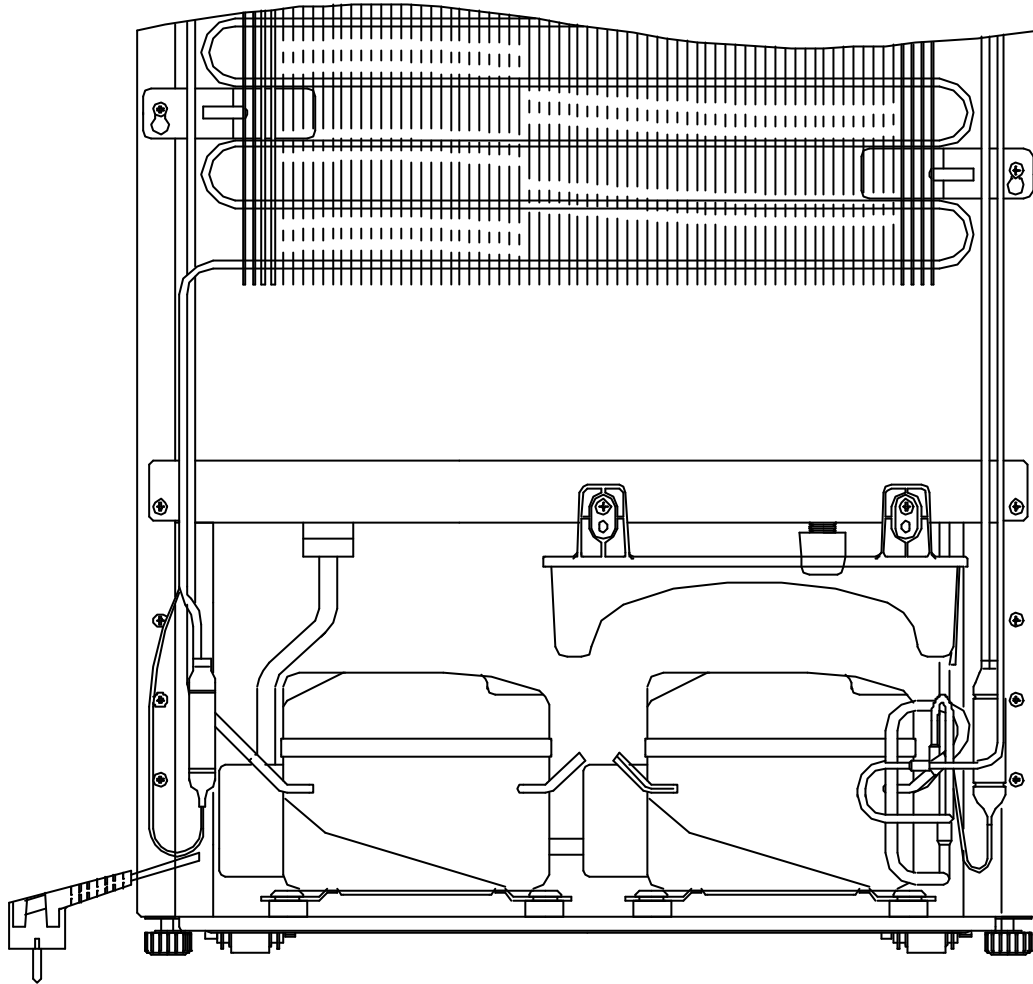


VESTEL
WHITE GOODS CONSUMER SERVICE

TECHNICAL
DEPARTMENT



VESTEL WHITE GOODS	VESTEL REFRIGERATOR	SEPTEMBER 2002
	MACHINE ROOM VIEW	

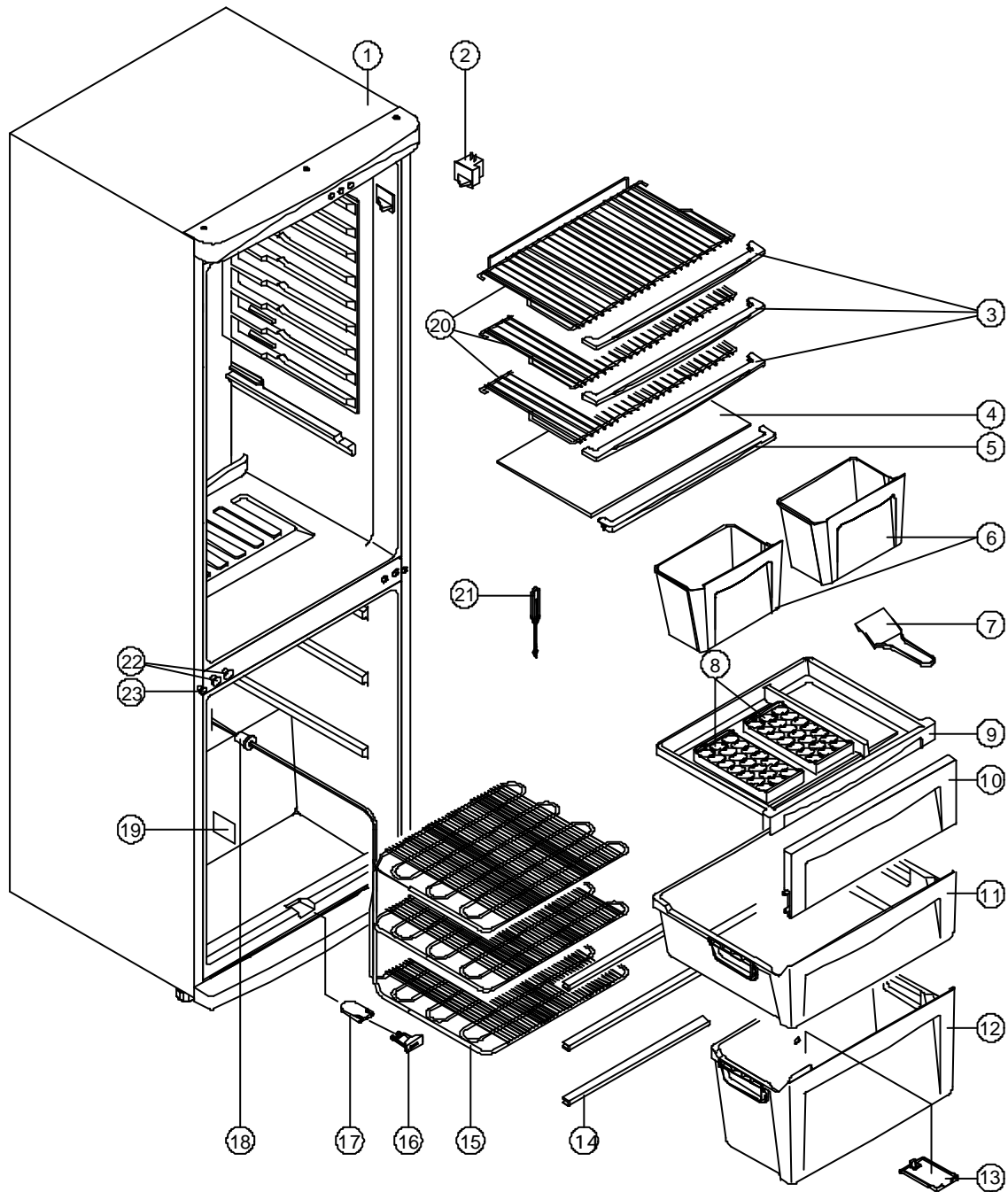


VESTEL WHITE GOODS CONSUMER SERVICE	TECHNICAL DEPARTMENT
--	---------------------------------------

VESTEL
WHITE GOODS

VESTEL REFRIGERATOR
ACCESSORY PARTS

SEPTEMBER
2002



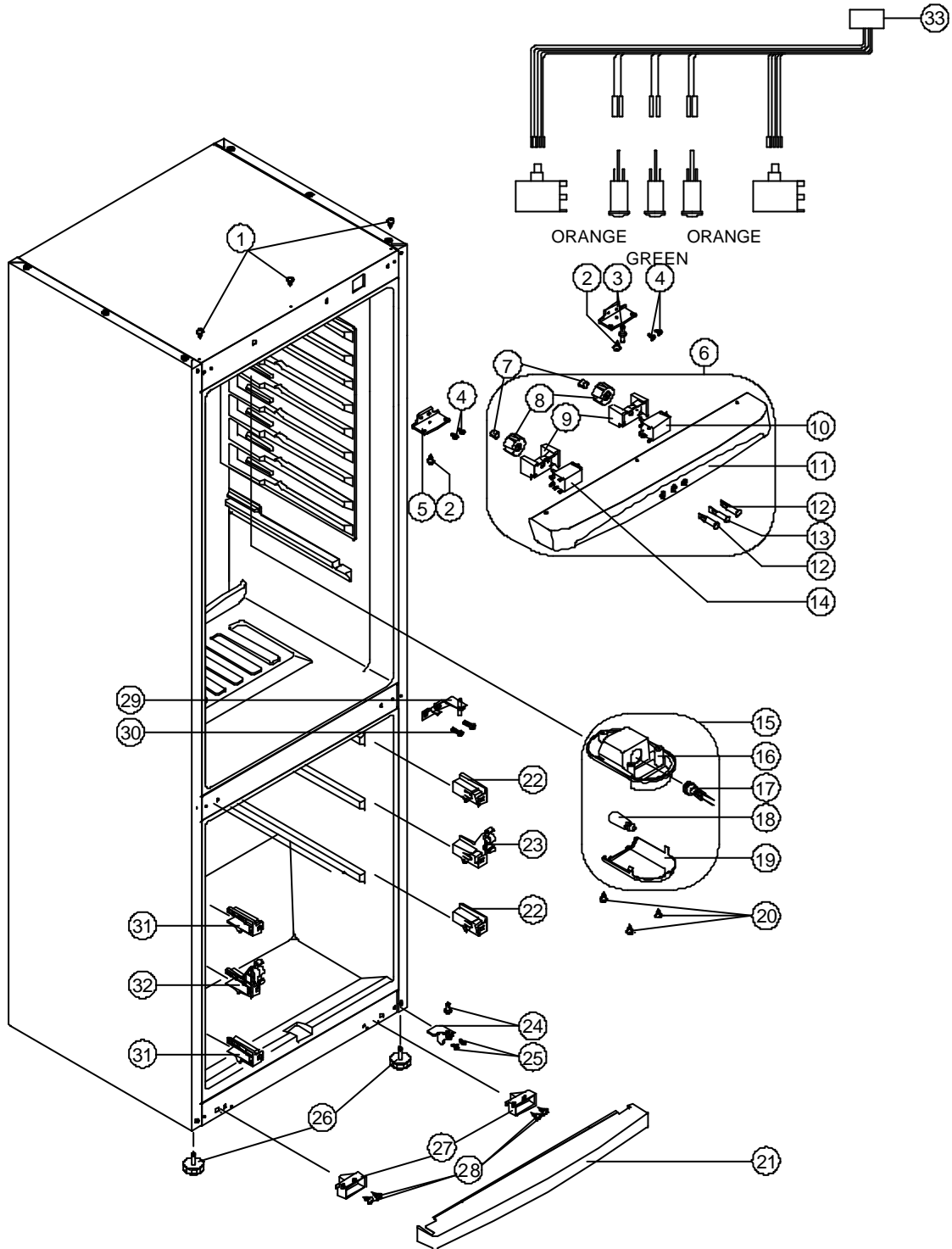
VESTEL
WHITE GOODS CONSUMER SERVICE

TECHNICAL
DEPARTMENT

VESTEL WHITE GOODS	VESTEL REFRIGERATOR	SEPTEMBER 2002
	ACCESSORY PARTS LIST	

NO	CODE	PARTS NAME	BRC 336
1	20077735	ASSY URT CAB/360T	1
2	30007915	DOOR SWITCH	1
3	40002204	R COMPARTMENT SHELF TRIM/345	3
4	45001891	CRISPER COVER SRGF/360	1
5	40002297	CRISPER COVER TRIM/345	1
6	40008754	CRISPER SRGF/360	2
7	40002276	ICE SCRAPER	1
8	40002236	ICE TRAY	2
9	40008755	GRIP TRAY ICE/360	1
10	40008759	F COVER SRGF/360	1
11	40008757	MIDDLE BASKET SRGF/360	1
12	40008771	BOTTOM BASKET SRGF/360	1
13	40006589	BASKET F DRAIN	1
14	40007114	F EVAP TRIM/360	3
15	35005571	F EVAPORATOR ASSY/360N (B)	1
16	40011548	F DRAIN/360	1
17	40011069	F DRAIN HOLDER/360 (BLUE)	1
18	40003861	ANTI - VIBRATION/EVAP.	1
19	20105565	NAME PLATE/360N BLUESKY-FR(BRC336)	1
20	45000571	R COMPARTMENT SHELF/360	3
21	40002216	TUNNEL DRAIN PLUG	1
22	40004843	CAP BIG	2
23	40004842	CAP SMALL	1

VESTEL WHITE GOODS CONSUMER SERVICE	TECHNICAL DEPARTMENT
--	---------------------------------



VESTEL WHITE GOODS	VESTEL REFRIGERATOR	SEPTEMBER 2002
	INTERIOR PARTS LIST	

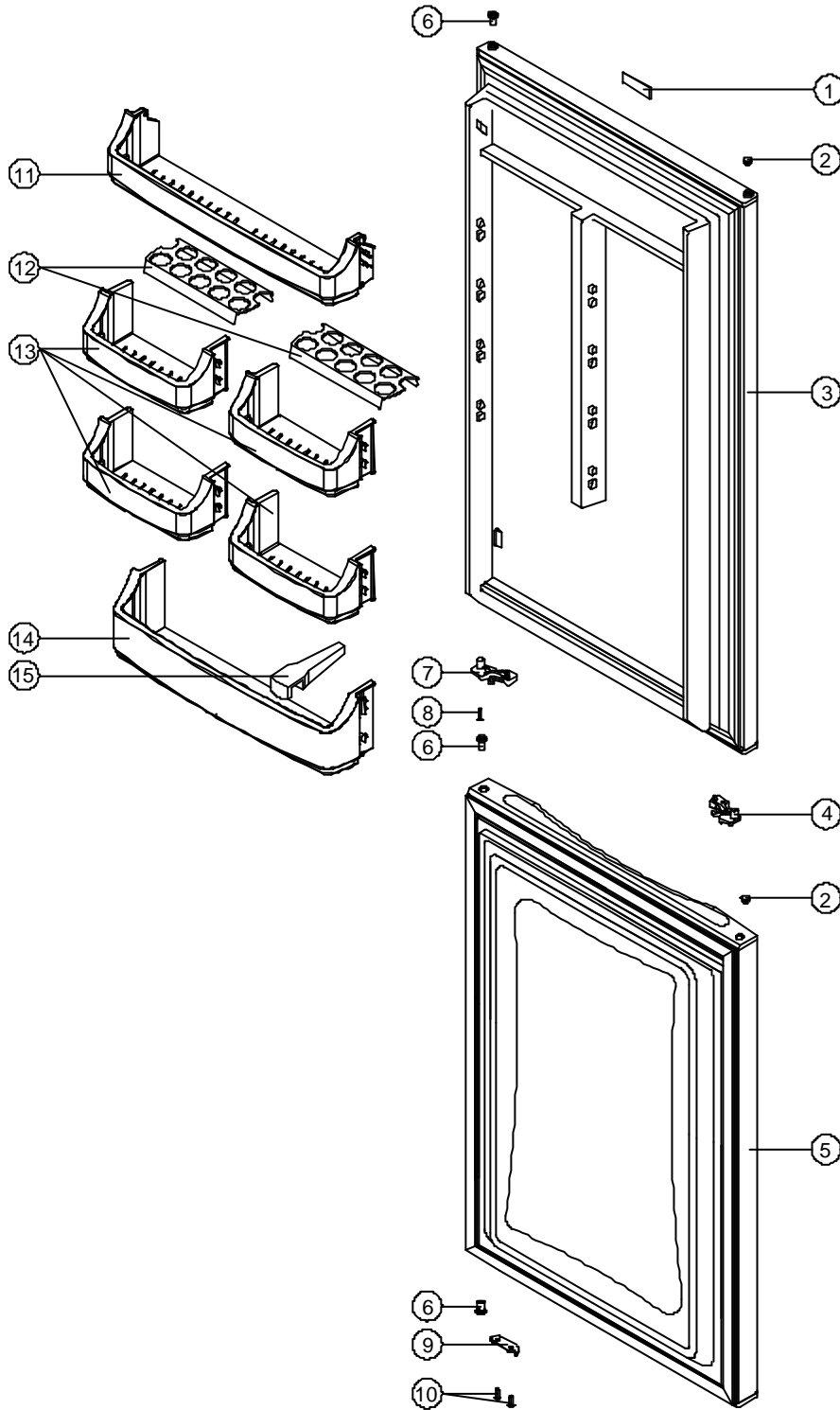
NO	CODE	PARTS NAME	BRC 336
1	35000743	SCREW 4.2*9.5 DIN 7981 YSB	3
2	35004994	SCREW 4.2*13 DIN 7981 YHB	2
3	35004929	TOP HINGE/260B (WITH PIN) PÇ.6,9	1
4	35000714	SCREW M5*14 WN 1342-H EJOT	4
5	35004929	TOP HINGE/260B (WITHOUT PIN) PÇ.6,9	1
6	30017104	HEAD PANEL GR/360V SRGF	1
7	35003161	SPRING	2
8	40006623	THERMOSTAT KNOB SRGF/360	2
9	40007127	THERMOSTAT HOLDER/360	2
10	30013446	R THERMOSTAT(DNFS077B6649)	1
11	30017104	HEAD PANEL SRGF/360V (TYT)	1
12	30013450	INDICATOR LAMP(ORANGE)360	2
13	30013449	INDICATOR LAMP(GREEN)360	1
14	30013447	F THERMOSTAT(DNFS077B1121)	1
15	20057455	LAMP BOX ASSY./360	1
16	40007860	LAMP BOX/360	1
17	30007907	LAMP HOLDER	1
18	30007906	LAMP	1
19	40007123	LAMP COVER/360	1
20	35003482	SCREW PLS KA 40*13(INOX-S.UÇ)SUS 430	3
21	40002292	KICK PLATE/345P	1
22	40008865	F EVAP SUPPORT RIGHT/360	2
23	40008867	F COVER SUPPORT RIGHT/360	1
24	35004872	BOTTOM HINGE/345 (PÇ.6,9)	1
25	35000714	SCREW M5*14 WN 1342-H EJOT	2
26	45000563	STATIONARY FOOT	2
27	40002262	KICK PLATE HOLDER	2
28	35000707	SCREW 3.5*13 DIN 7981 YSB	4
29	35005828	MIDDLE HINGE/345	1
30	35001709	SCREW M5*14 WN 1342-H EJOT DYED	2
31	40008866	F EVAP SUPPORT LEFT/360	2
32	40008868	F COVER SUPPORT LEFT/360	1
33	30017101	WIRING HARNESS THERM/360	1

VESTEL WHITE GOODS CONSUMER SERVICE	TECHNICAL DEPARTMENT
--	---------------------------------

VESTEL
WHITE GOODS

VESTEL REFRIGERATOR
DOOR ASSY. PARTS

SEPTEMBER
2002



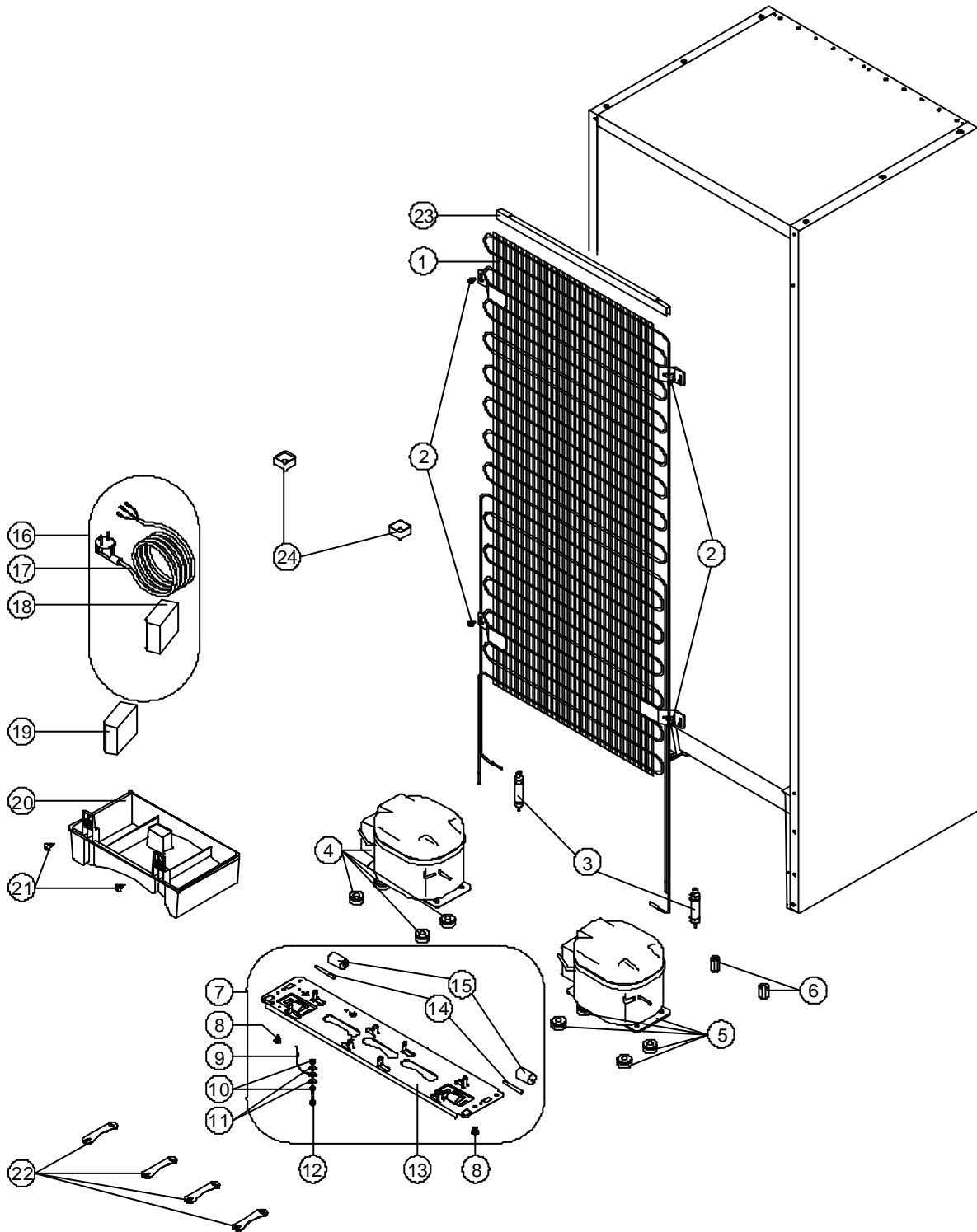
VESTEL
WHITE GOODS CONSUMER SERVICE

TECHNICAL
DEPARTMENT

VESTEL WHITE GOODS	VESTEL REFRIGERATOR	SEPTEMBER 2002
	DOOR ASSY. PARTS LIST	

NO	CODE	PARTS NAME	BRC 336
1	45001868	LOGO BLUESKY	1
2	40002243	BUSHING CAP	2
3	20060350	R DOOR ASSY./360V	1
4	40003442	CATCHER LEFT/P	1
5	20060361	F DOOR ASSY.SRGF/360V	1
6	40002242	BUSHING/345P	3
7	40002241	CATCHER RIGHT/P	1
8	35000711	SCREW KA 35*12 WN 1412(S.U)EJOT	1
9	35000712	R BOTTOM STOPER	1
10	35000714	SCREW M4*18 WN 2147 FDS EJOT	2
11	40007210	CHEESE/BUTTER SHELF SRGF/345B	1
12	40007081	EGG HOLDER(I+II)345	2
13	40003565	EGG SHELF SRGF/345	4
14	40003566	BOTTLE SHELF SRGF/345	1
15	40002267	BOTTLE HOLDER	1

VESTEL WHITE GOODS CONSUMER SERVICE	TECHNICAL DEPARTMENT
--	---------------------------------



VESTEL WHITE GOODS	VESTEL REFRIGERATOR	SEPTEMBER 2002
	UNIT PARTS LIST	

NO	CODE	PARTS NAME	BRC 336
1	35003172	MAIN CONDANSER/360T	1
2	35001817	SCREW 4.2*9.5 WITH WASHER	4
3	35002601	DRYER(XH9,7.5GR)	2
4	30009700	COMPRESSOR/BPM1111Z(220-240V,50Hz)	1
5	30014983	COMPRESSOR/BPM1084Z	1
6	40002210	ANTI - VIBRATION/COND.	2
7	20052356	COMP.BASEMENT GR./360	1
8	35000743	SCREW 4.2*9.5 DIN 7981 YSB	2
9	30007904	GROUNDING WIRE	2
10	35000721	NUT M4*3.2 DIN 934 ZNK	4
11	35000722	WASHER 4.3*8*0.9 DIN 6798 ZNK	4
12	35000723	SCREW M4*16 DIN 933 ZNK	2
13	20052358	COMP BASEMENT/360	1
14	35000738	REAR WHEEL PIN	2
15	40002217	WHEEL	2
16	30014369	POWER CORD GR. BPM1111Z/360	1
17	30007911	POWER CORD (2.1m)	1
18	30009530	OVER LOAD RELAY GR./BPM1111Z(50Hz)260-360	1
19	30014985	OVER LOAD RELAY GR./BPM1084Z	1
20	40009953	EVAPORATING TRAY/260	1
21	35000743	SCREW 4.2*9.5 DIN 7981 YSB	2
22	20020023	COMPRESSOR FIXING BRACKET	4
23	40004702	CONDENSER TRIM/345	1
24	40002180	SPACER	2
	50028658	USER'S MANUAL/COMBI	1
	20100683	PACKAGE GR./360 (CARTOON-STANDARD)	1
	50020002	PACKAGE CARTOON/360 (STANDARD)	1
	50019385	STRAFOR UPPER/345 (CARTOON)	1
	50019383	STRAFOR BOTTOM/345 (CARTOON)	1
	50019299	STRAFOR FRONT CORNER/455 (CARTOON)	4
	50019300	STRAFOR BACK CORNER/455 (CARTOON)	4
	50029436	CIRCUIT DIAGRAM/360	1
	50029708	PACKAGE LABEL/360V(N) BLUESKY-FR(BRC336)	2
	50029707	ENERGY LABEL/360V(N) BLUESKY (BRC336)	1

VESTEL WHITE GOODS CONSUMER SERVICE	TECHNICAL DEPARTMENT
--	---------------------------------

REVISION SHORT HISTORY:

NO:	REV. NO:	REV. DATE:	PAGE NO:	REV. REASON
01	00	25.06.2002	All	First publication
02	01	23.09.2002	11,13,17	Changed spare parts codes.

DISTRIBUTION :

<i>France – Vestel France</i>	<i>Date: 27.09.2002</i>
-------------------------------	-------------------------