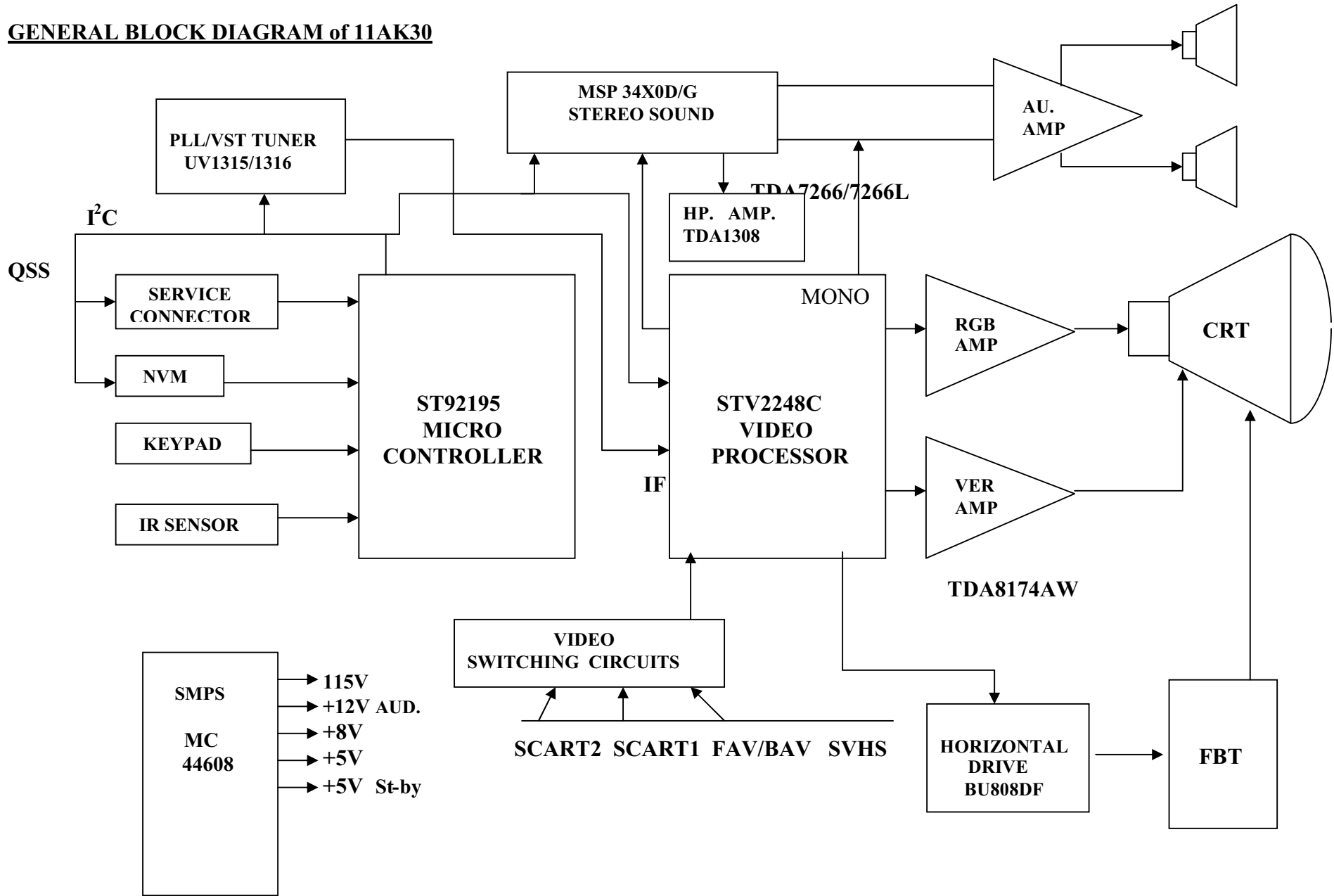
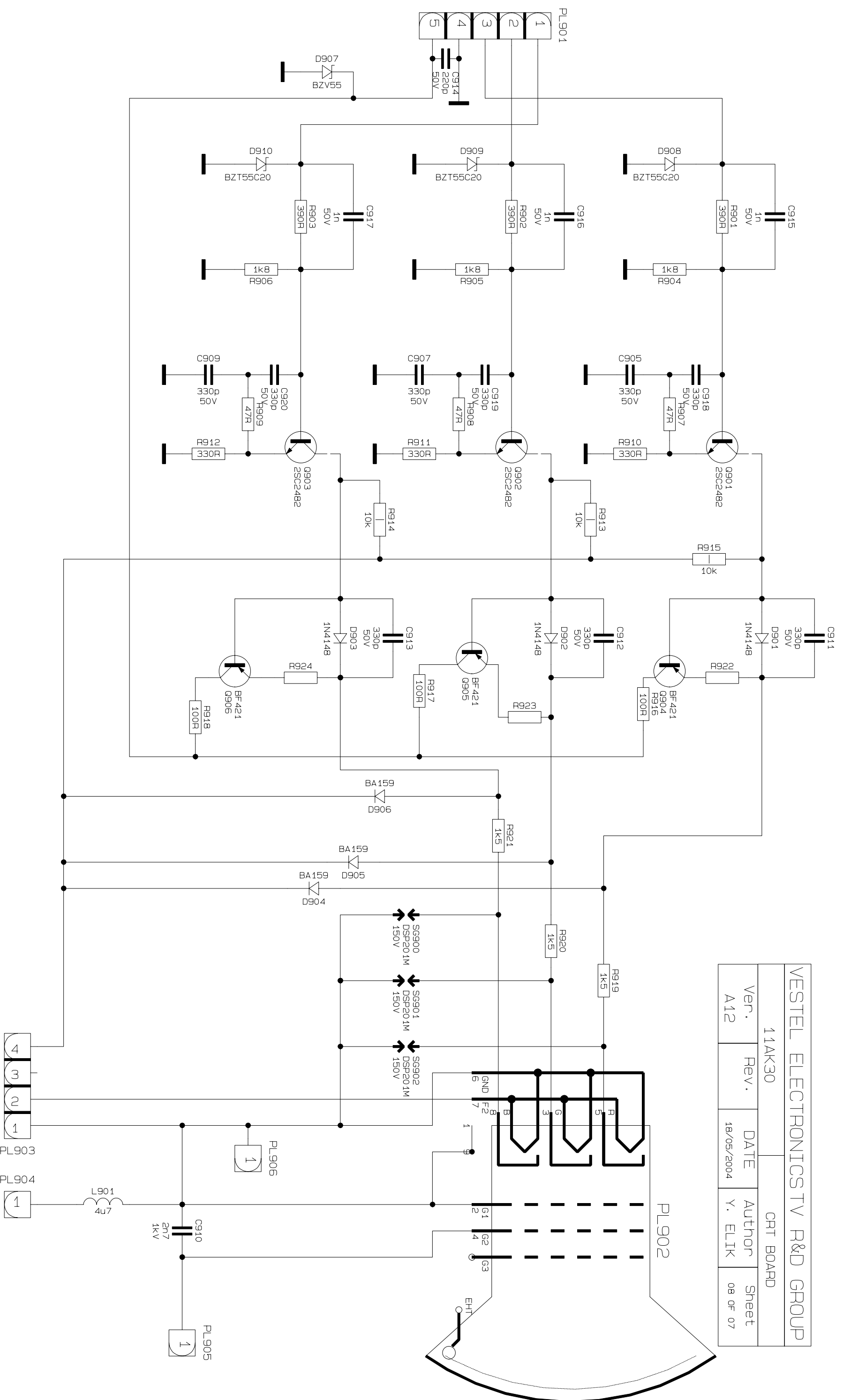
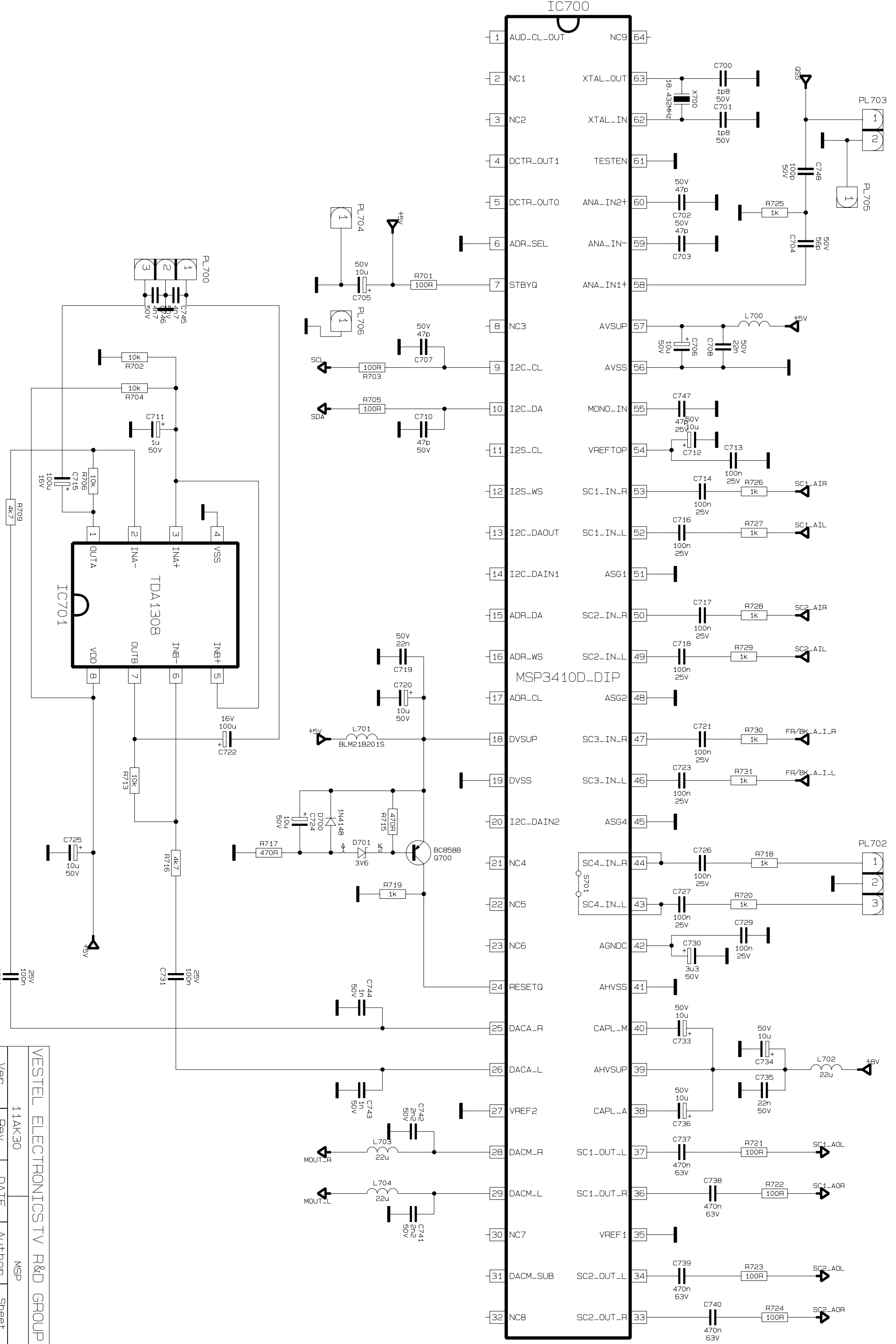


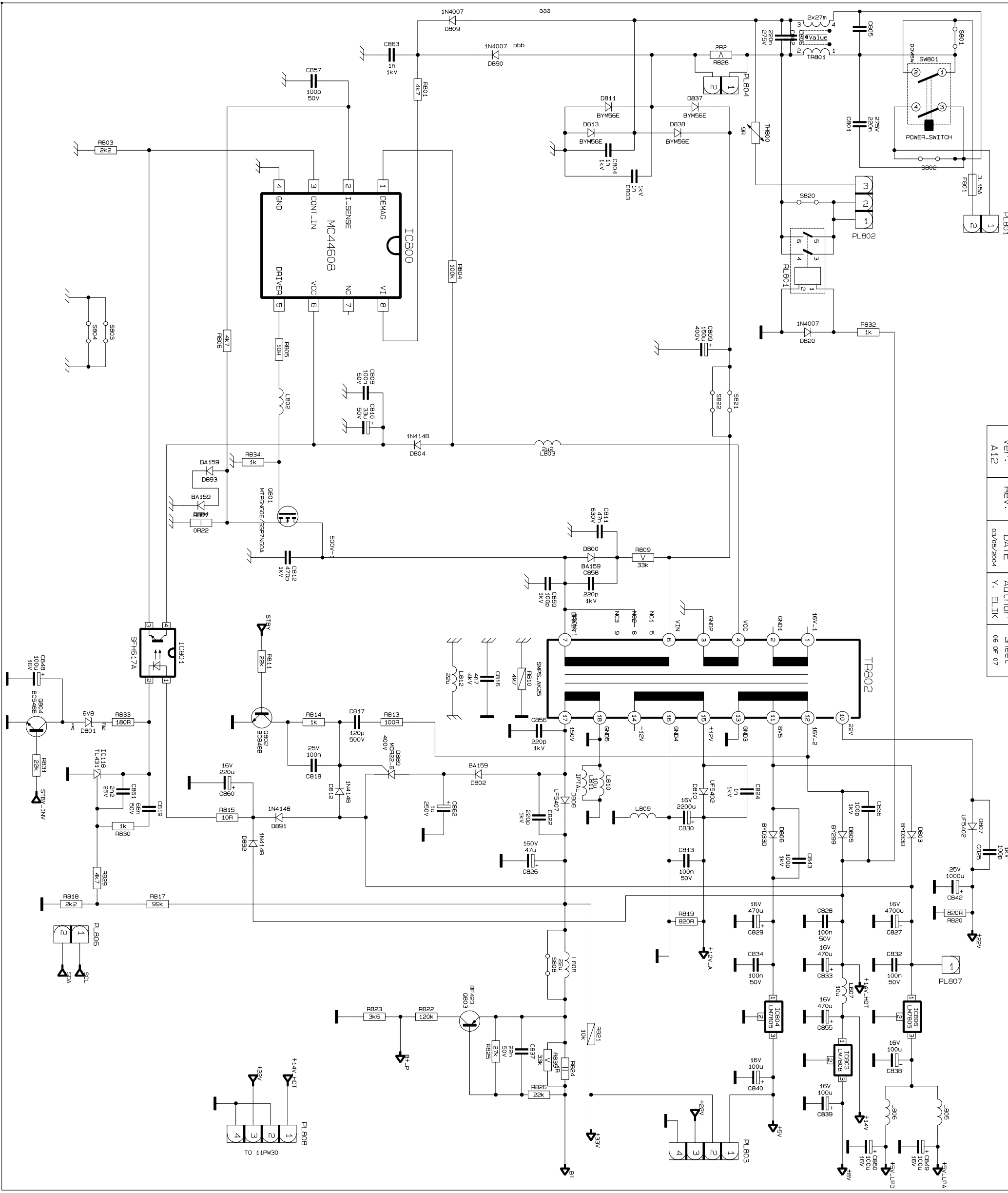
**GENERAL BLOCK DIAGRAM of 11AK30**



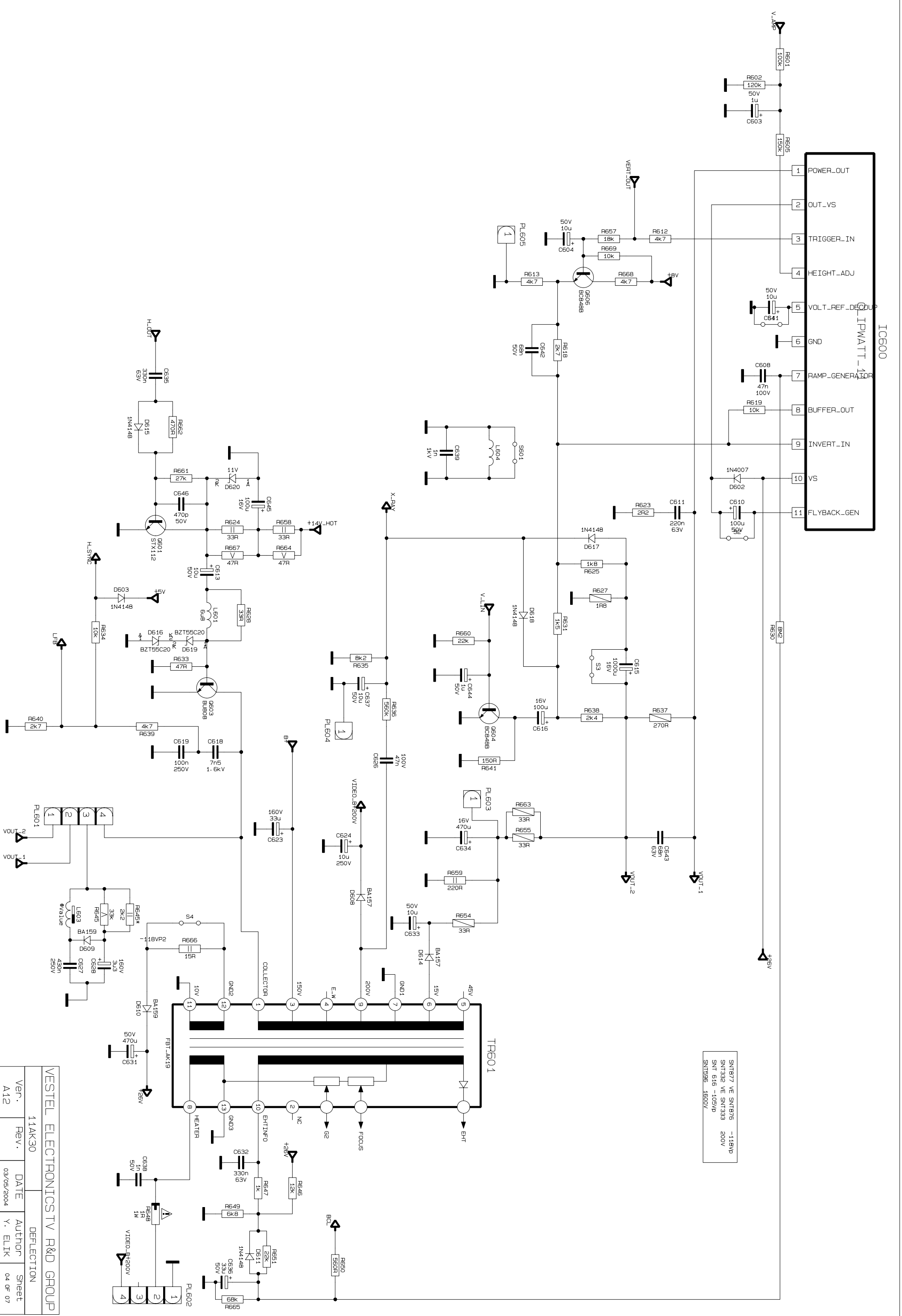
VESTEL ELECTRONICS TV R&D GROUP		CRT BOARD	
11AK30	Rev.	DATE	Author
Ver. A12	18/05/2004	Y. ELIK	Sheet 08 OF 07







220V/40V	SNT1039, SNT1245, SNT1062, SNT1252, SNT1061, SNT1261, SNT1265, SNT1285, SNT1022, SNT1991
300V/DC	SNT1199, SNT1289
500V	SNT1065, SNT1015
150V	SNT1011, SNT1064, SNT1063, SNT1197
200V	SNT783
60V	SNT952
45V	SNT796
100V	SNT772
500V	SNT995

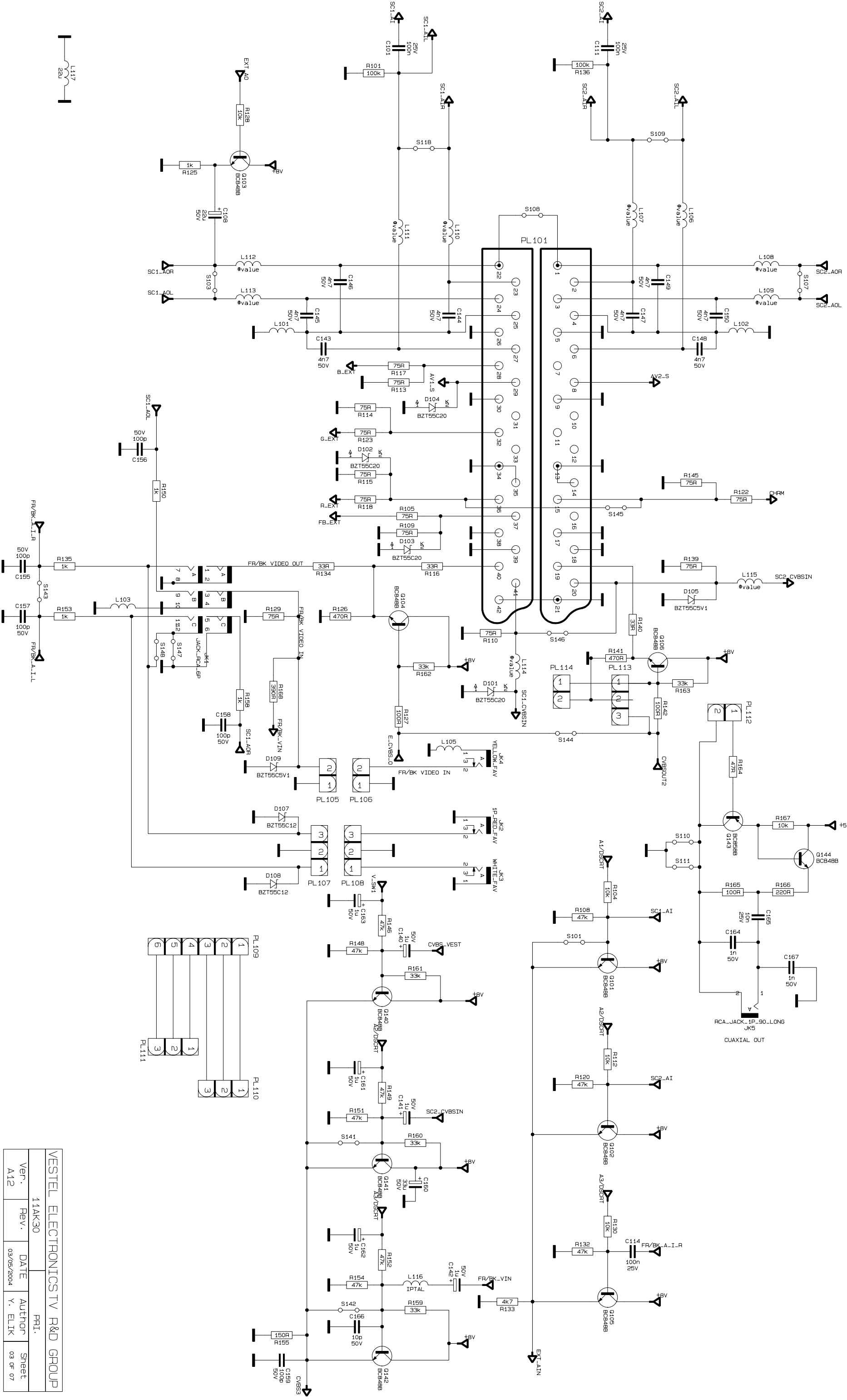


IC600

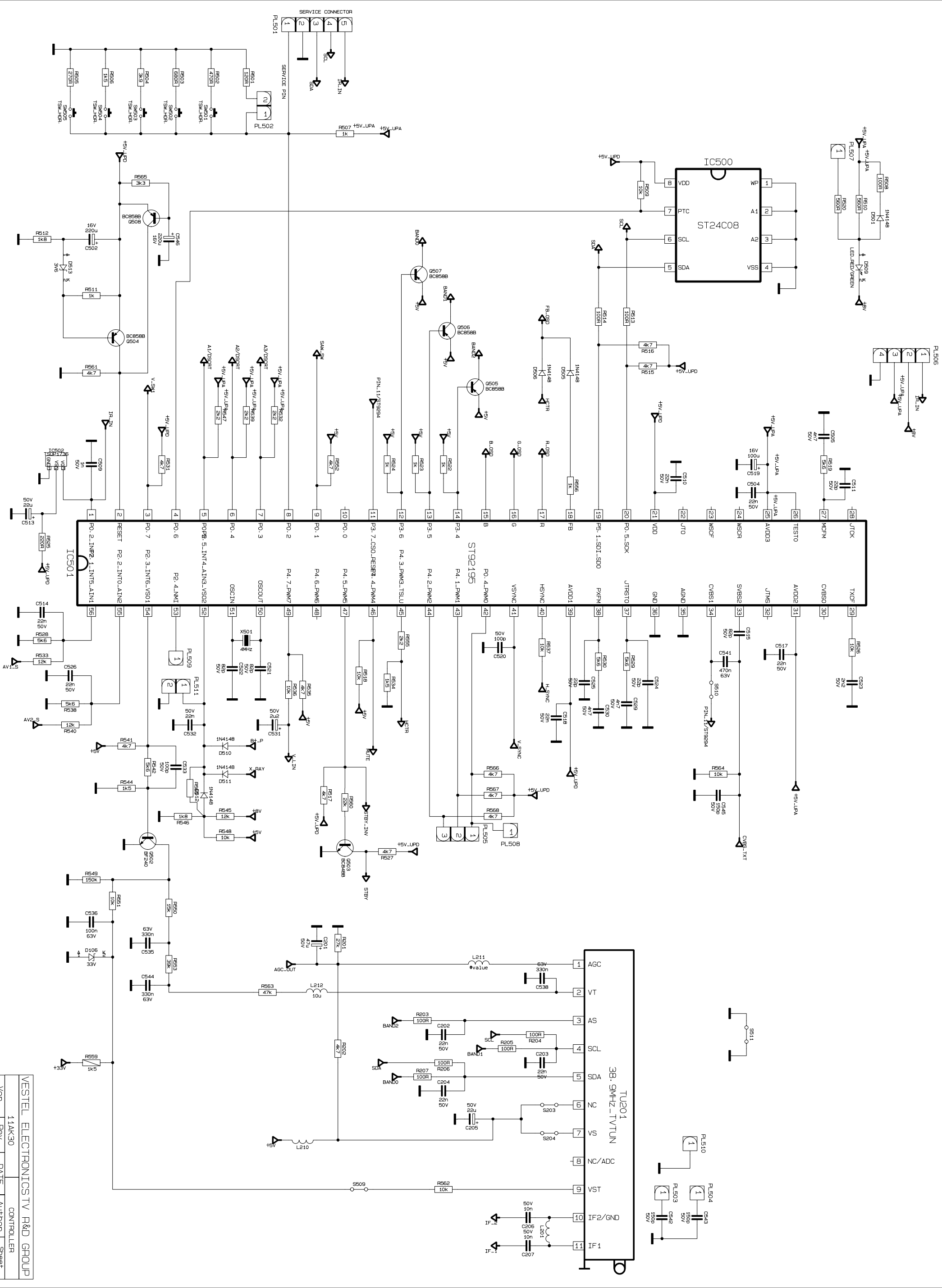
1	POWER_OUT
2	OUT_VS
3	TRIGGER_IN
4	HEIGHT_ADJ
5	VOLT_REF_DECOU
6	GND
7	RAMP_GENERATOR
8	BUFFER_OUT
9	INVERT_IN
10	VS
11	FLYBACK_GEN

SNT1877 VE SNT1875 -118Vp  
 SNT1322 VE SNT1333 200V  
 SNT 616 -105Vp  
 SNT1596 -1800V

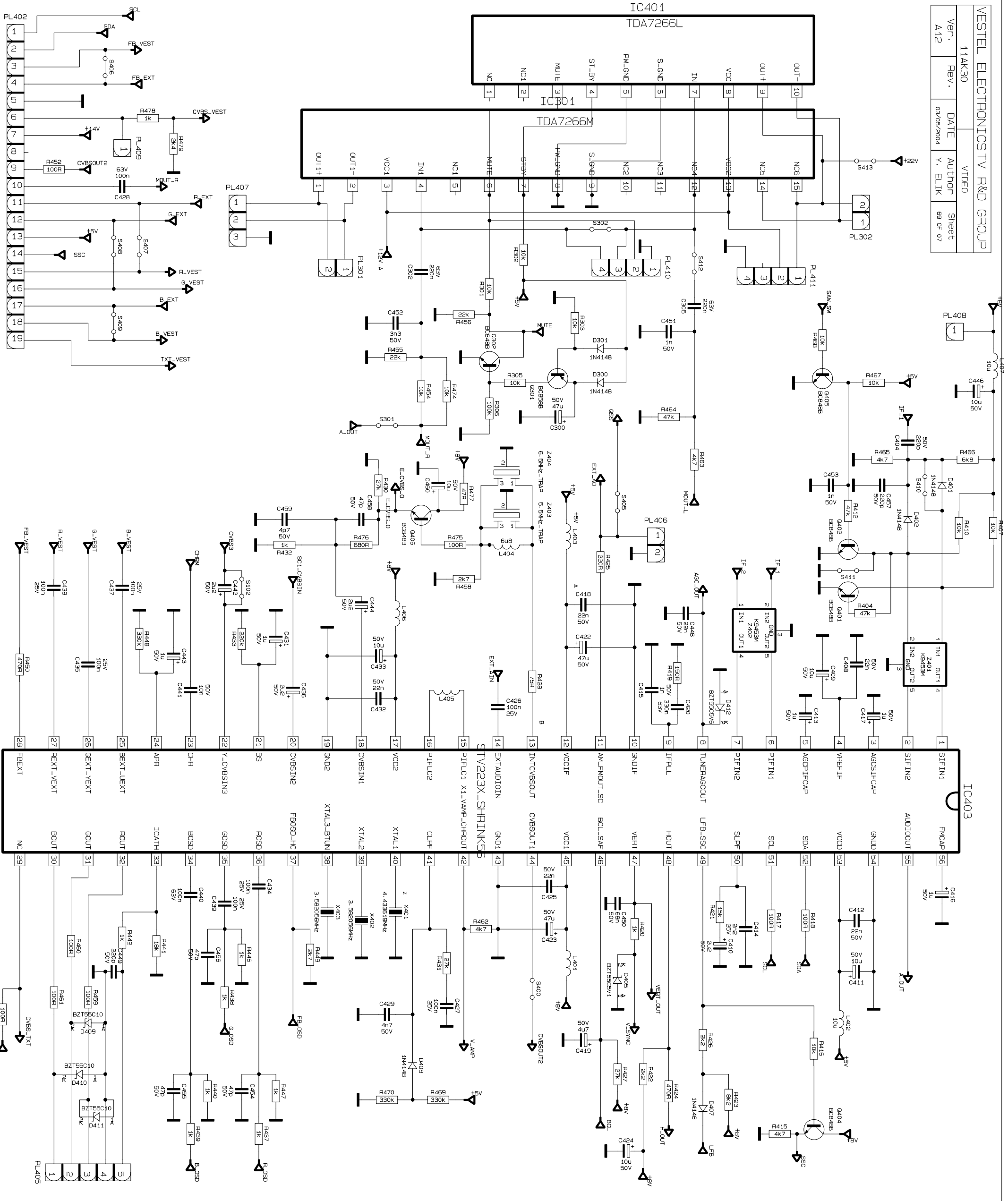
VESTEL ELECTRONICS TV R&D GROUP		DEFLECTION	
Ver.	11AK30	DATE	03/05/2004
Rev.		Author	Y. ELIK
A12		Sheet	04 of 07



VESTEL ELECTRONICS TV R&D GROUP		PRI.	
11AK30	Rev.	DATE	AUTHOR
Ver. A12	03/05/2004	Y. ELIK	Sheet 03 OF 07

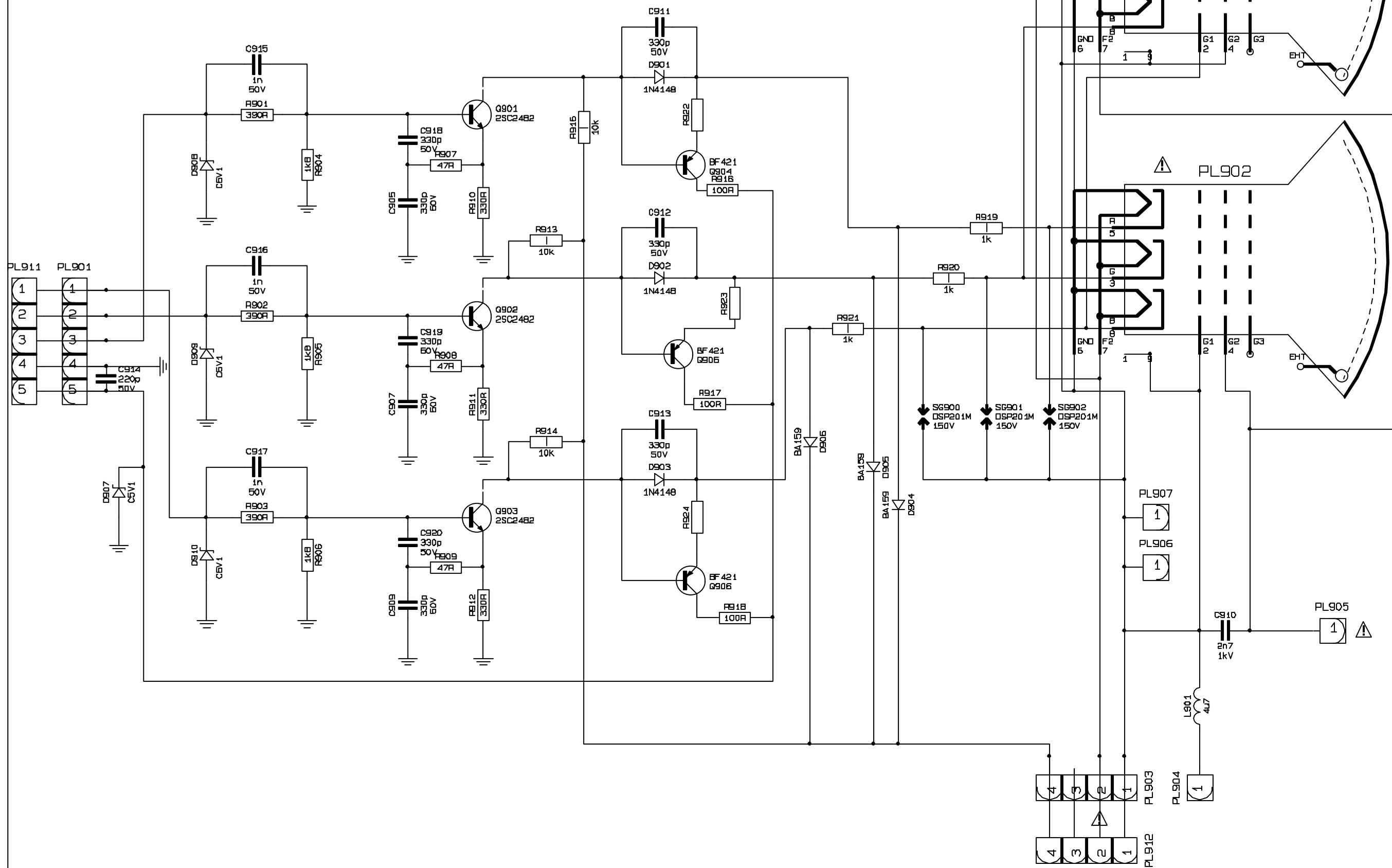


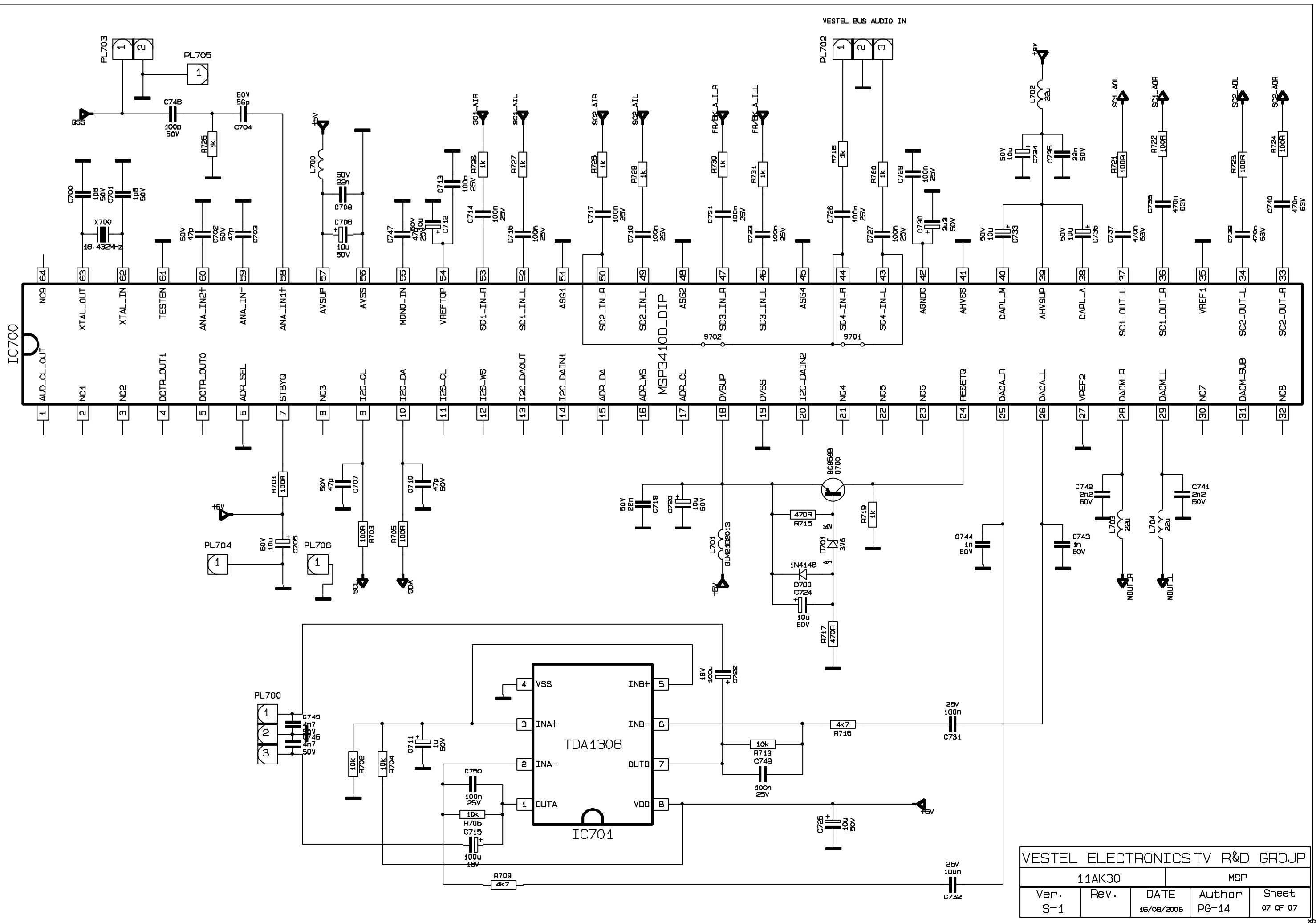
VESTEL ELECTRONICS TV R&D GROUP			
Ver.	11AK30	DATE	CONTROLLER
Rev.		AUTHOR	Sheet
A12	03/08/2004	Y. ELIK	01 of 07



VESTEL ELECTRONICS TV R&D GROUP

11AK30		CRT BOARD		
Ver. S-1	Rev.	DATE 16/08/2006	Author PG-14	Sheet 08 OF 07

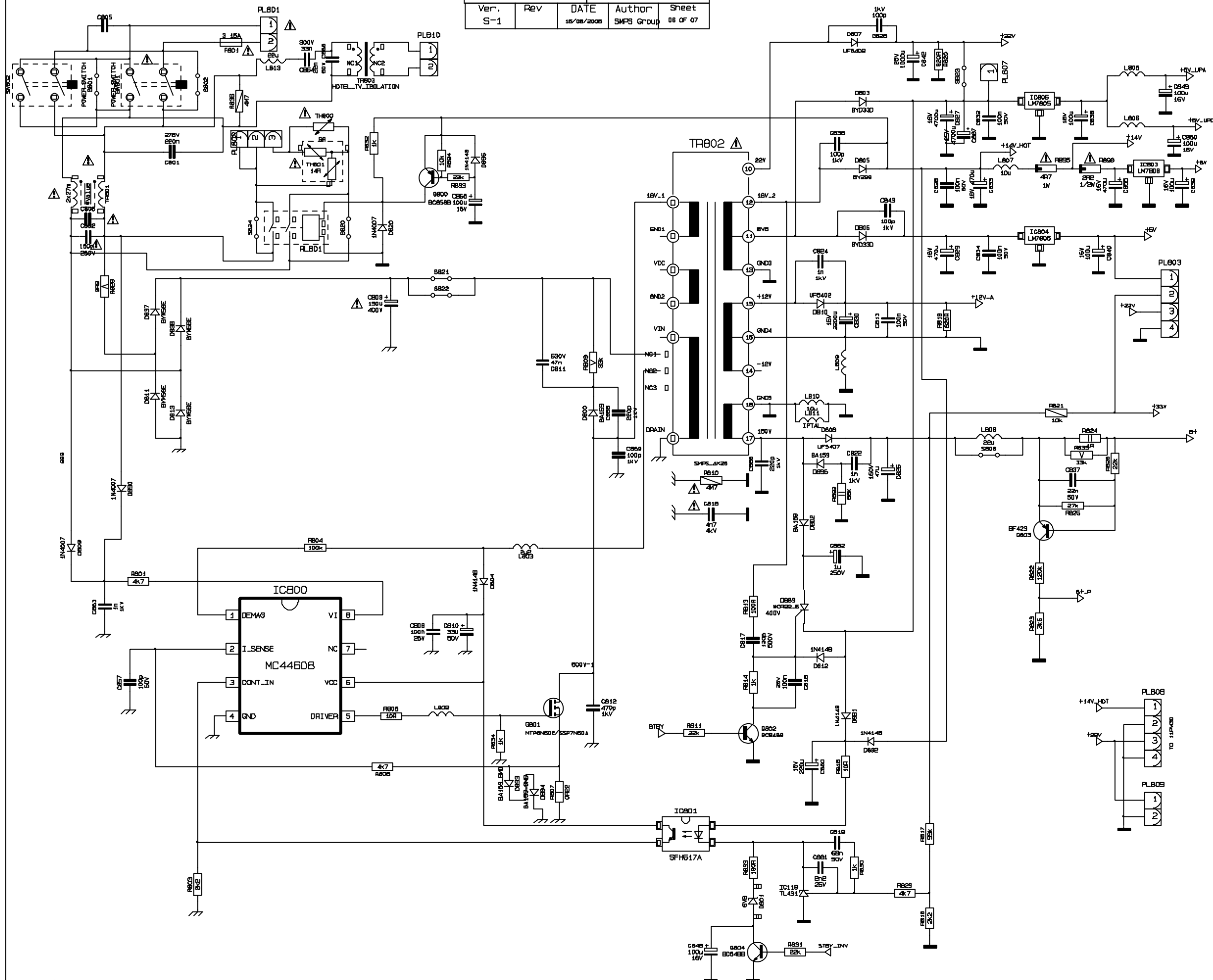




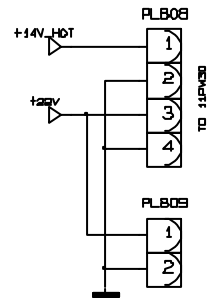
VESTEL ELECTRONICSTV R&D GROUP			
11AK30		MSP	
Ver. S-1	Rev.	DATE 16/08/2006	Author PG-14
		Sheet 07 OF 07	

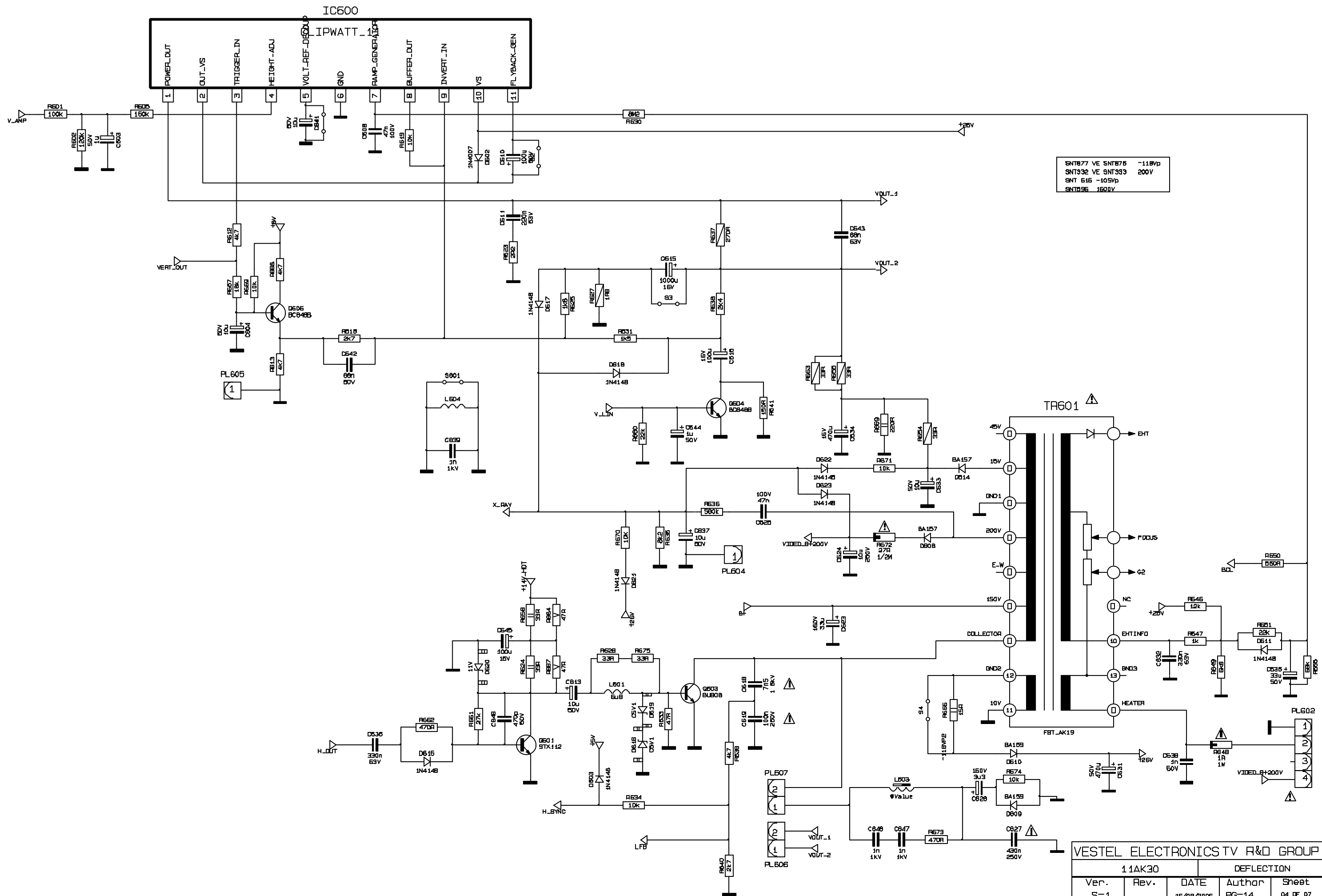
VESTEL ELECTRONICS TV R&D GROUP

11AK30		SMPS		
Ver.	Rev	DATE	Author	Sheet
S-1		15/08/2008	SMPS GRUP	08 OF 07



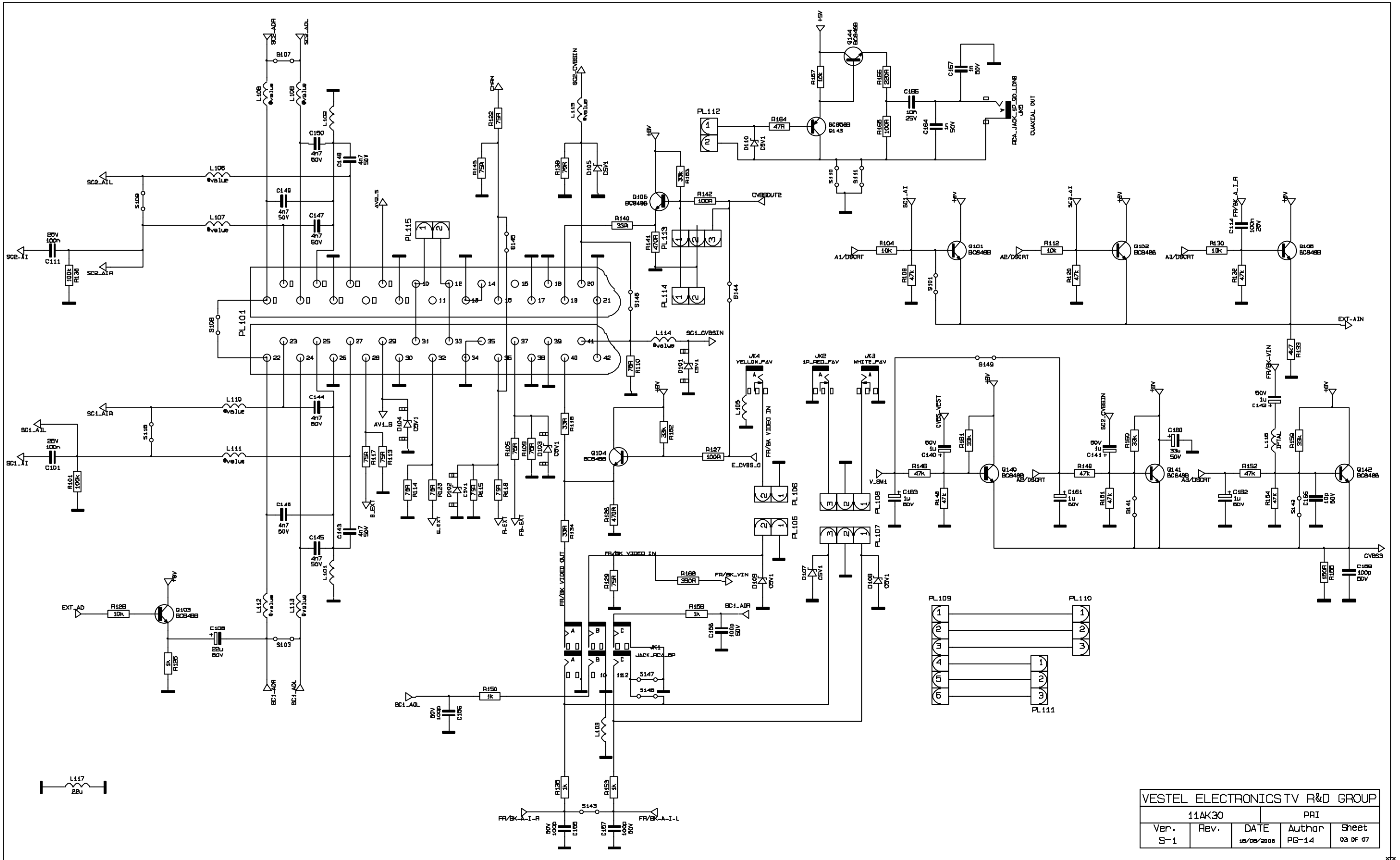
- SNT1036 SNT1345 SNT1052 SNT1252
  - SNT1061 SNT1261 SNT1265 SNT951
  - SNT1062 SNT961
- 
- 300VDC
  - SNT1199 SNT1269
- 
- 90V
  - SNT1065 SNT1015
- 
- 15V
  - SNT1011 SNT1064 SNT1063 SNT1187
- 
- SNT793 800V
  - SNT882 80V
  - SNT795 45V
  - SNT772 100V
  - SNT956 500V





SNT877 VE SNT876 -118Vp  
 SNT332 VE SNT333 200V  
 SNT 616 -105Vp  
 SNT836 1500V

VESTEL ELECTRONICS TV R&D GROUP				
11AK30		DEFLECTION		
Ver.	Rev.	DATE	Author	Sheet
S-1		15/08/2006	PG-14	04 OF 07



VESTEL ELECTRONICS TV R&D GROUP					
11AK30			PRI		
Ver.	Rev.	DATE	Author	Sheet	
S-1		18/05/2008	PG-14	03 OF 07	

