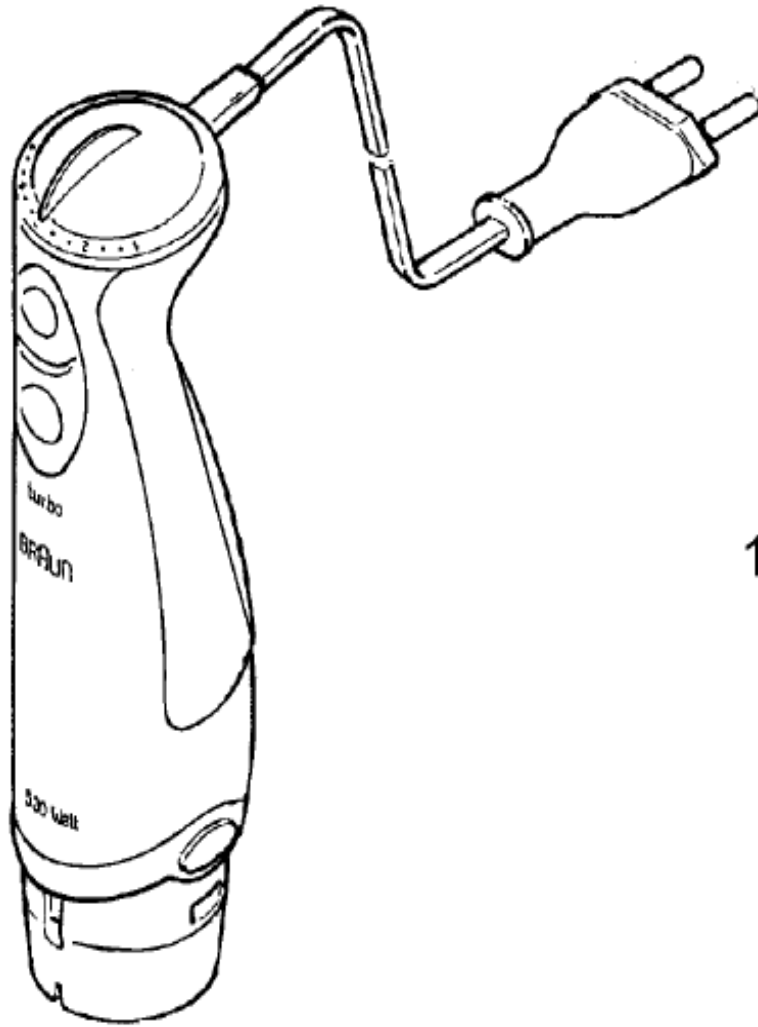
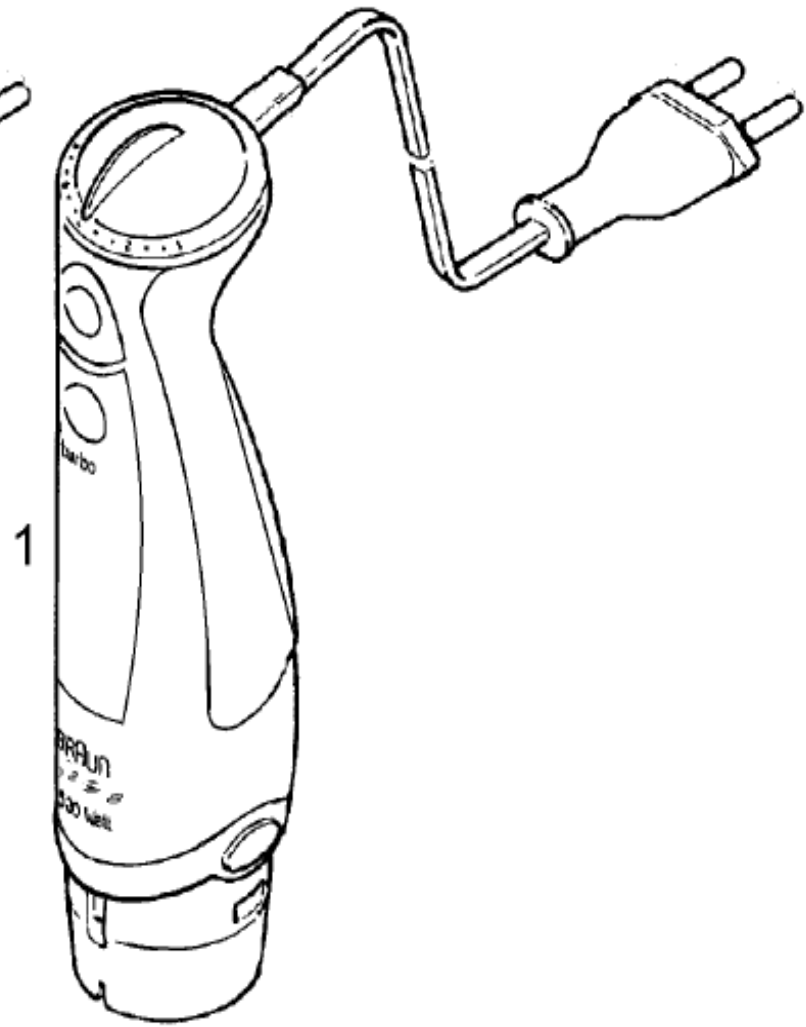


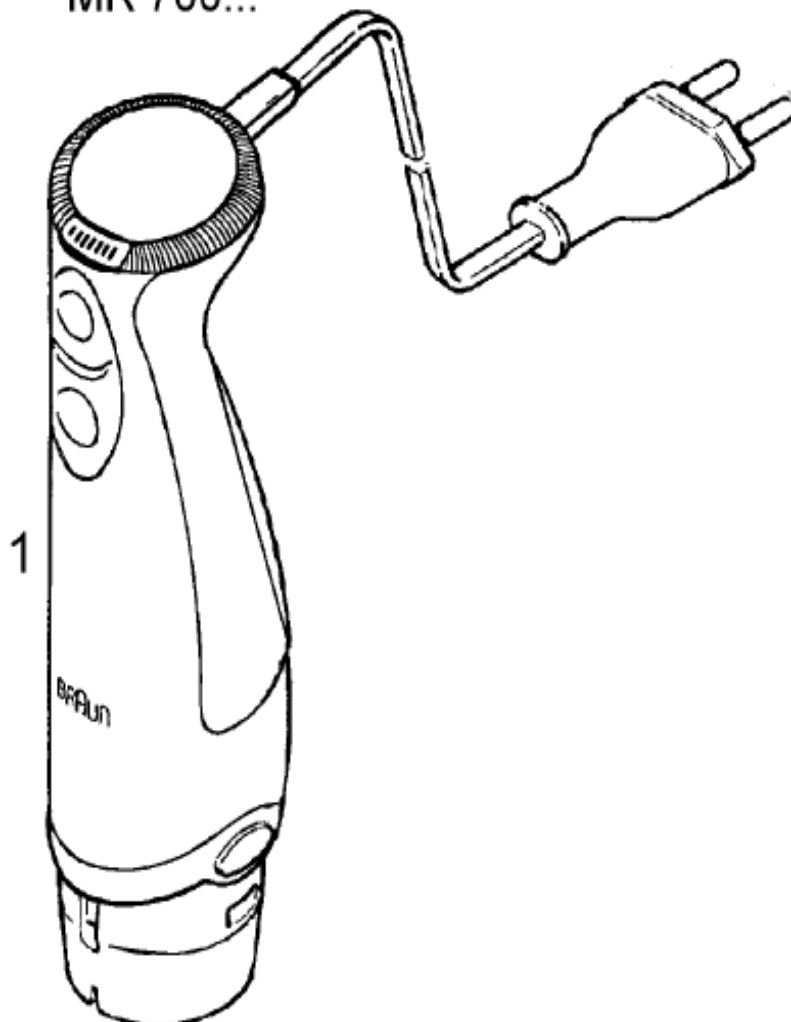
MR 5500...

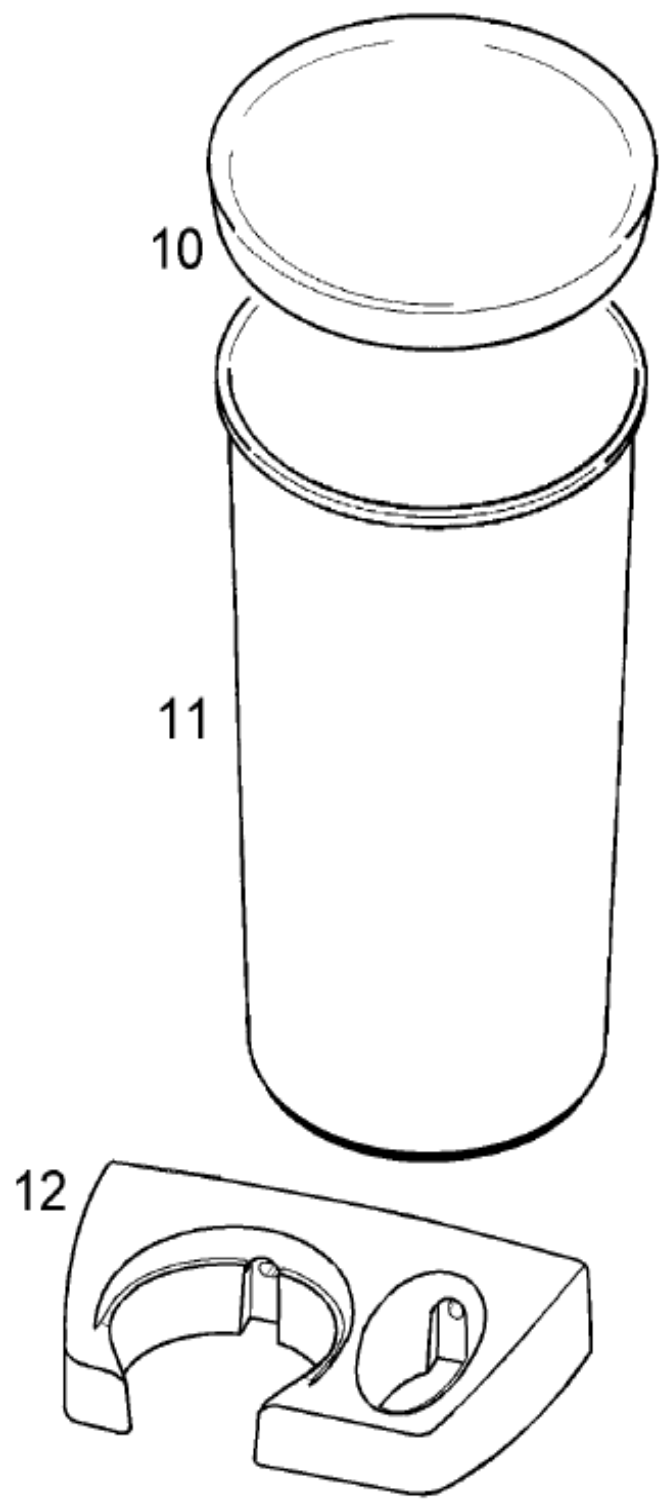
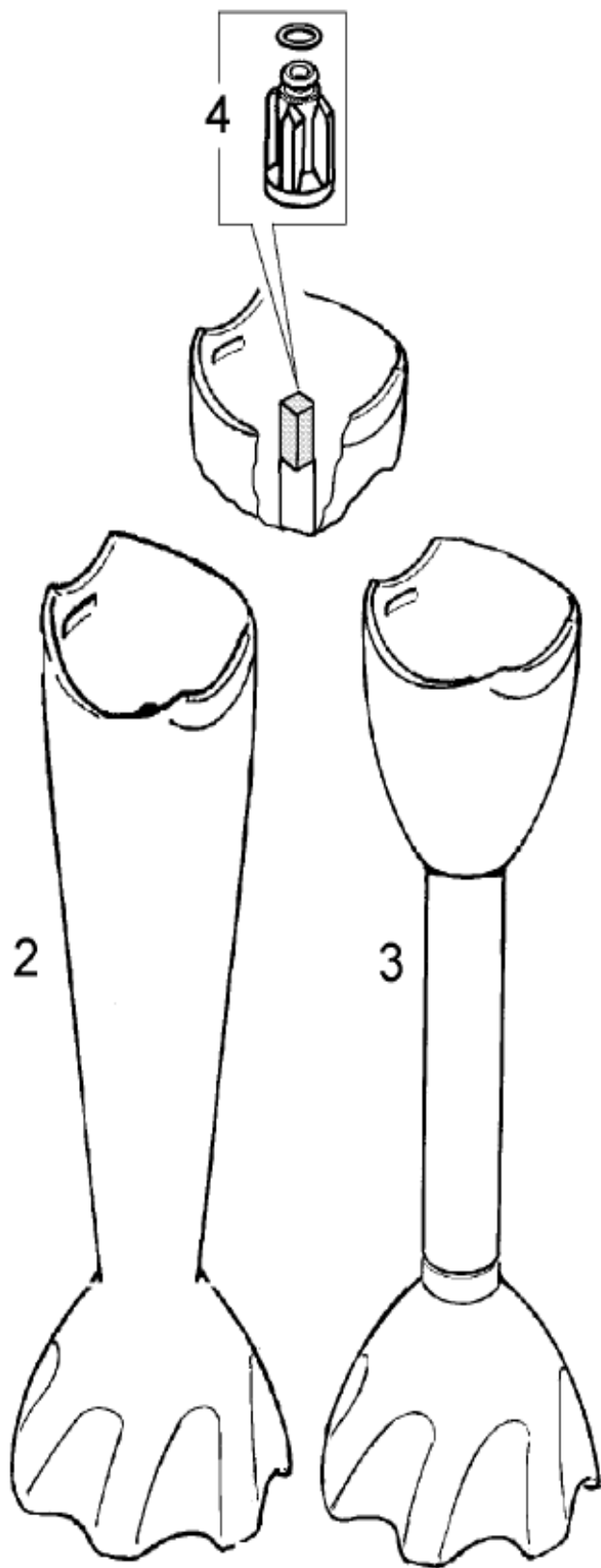


MR 6500.../500...



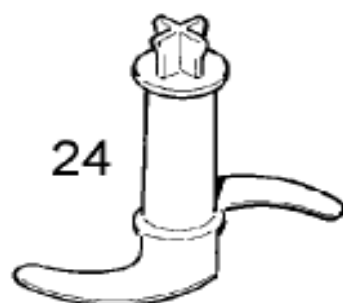
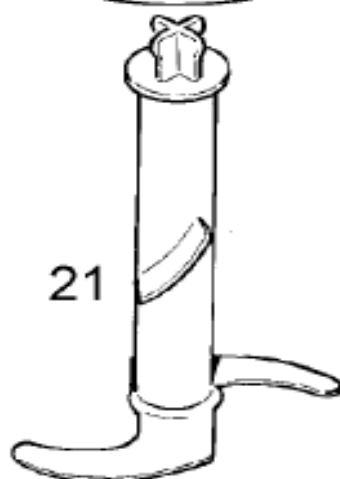
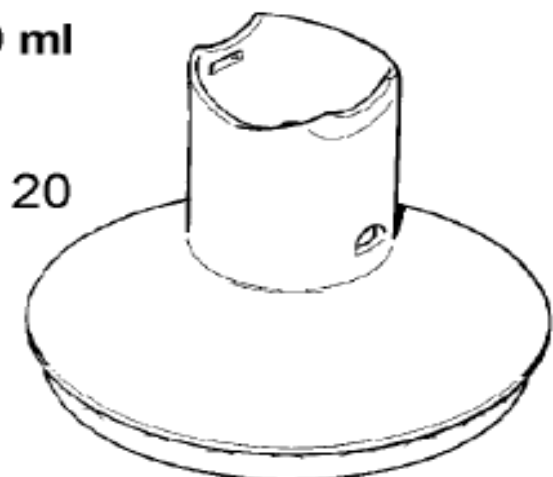
MR 700...





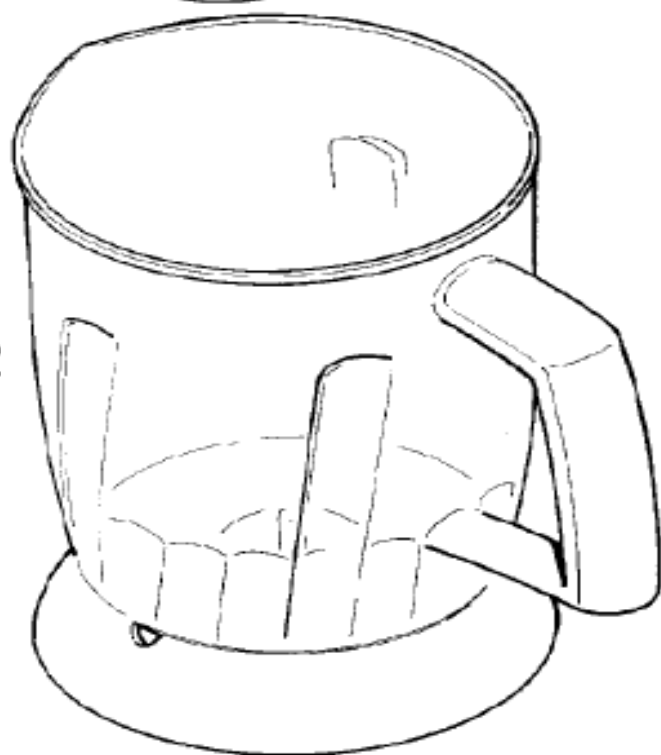
MR 500... / 700... / MR 5500... / 6500...
(MR 40 / BC 5000/6000)

1000 ml



100

22



23

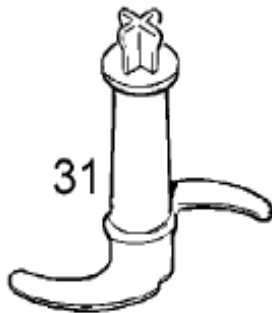


CA 5000/6000

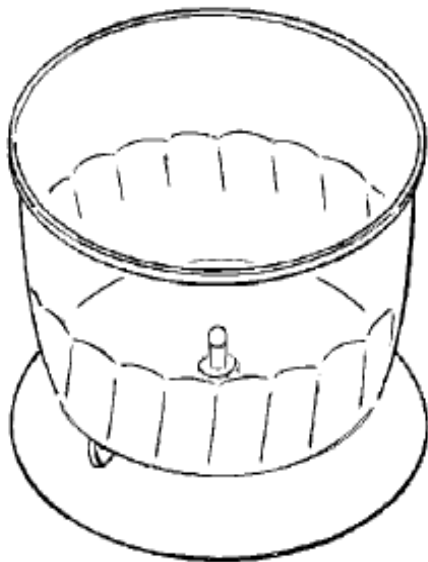
500 ml

20

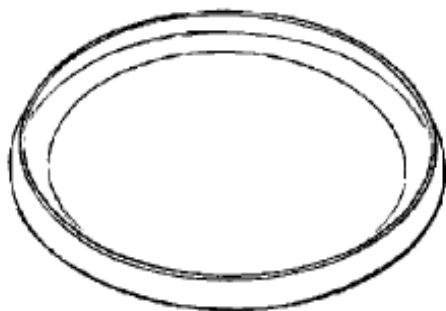
101



32



33

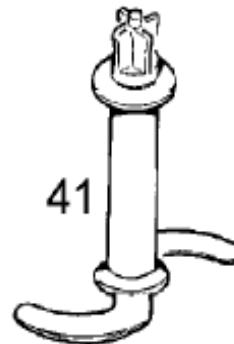


MR 20
HC 5000/6000

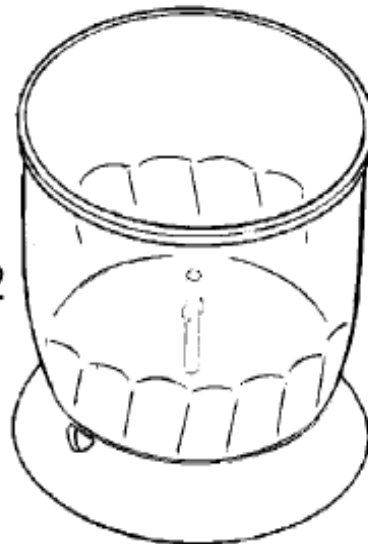
350 ml

40

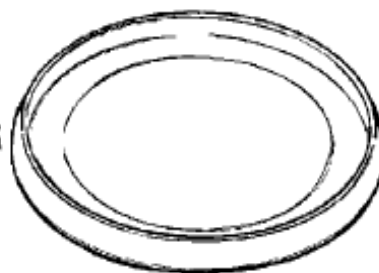
102



42



43

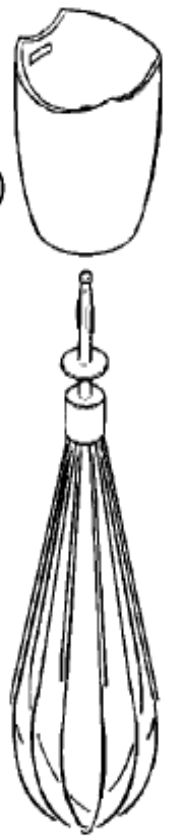


MR 10
WH 5000/6000

50

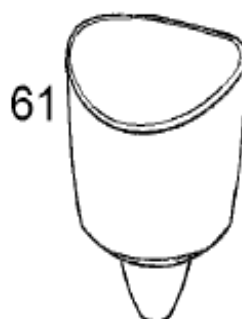
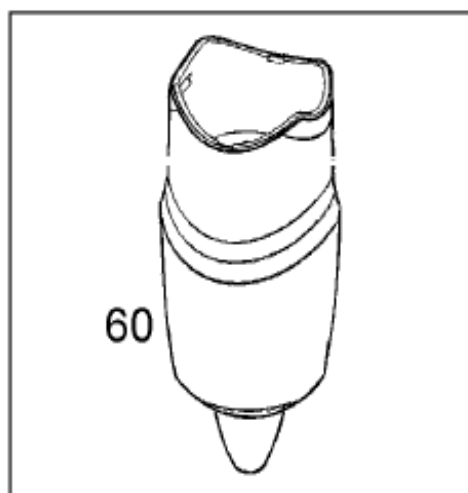
103

51



MR 500... / 700... / MR 5500... / 6500...

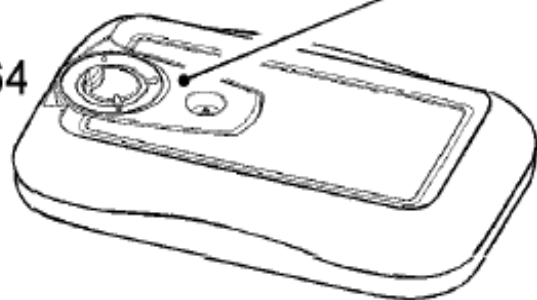
(VP 5000/6000)



(CT 900)

900 ml

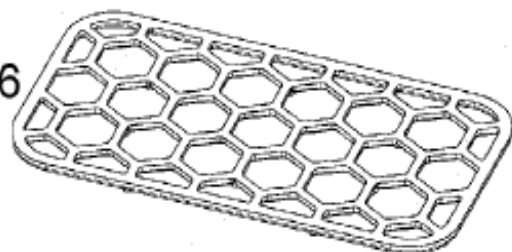
64



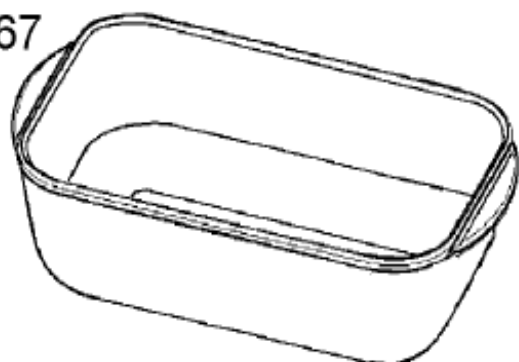
65



66



67



62



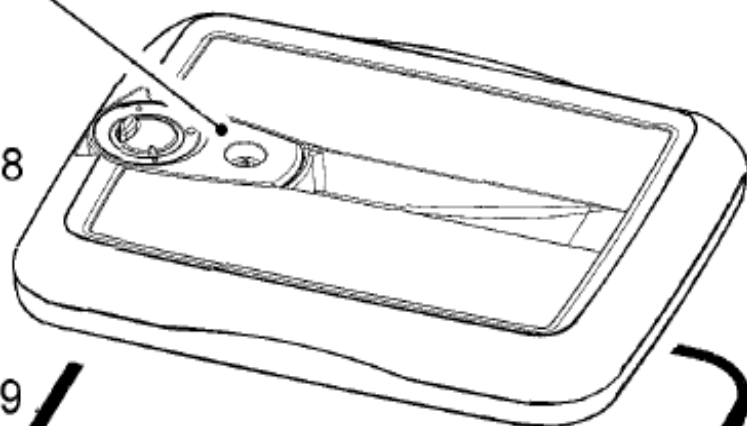
63



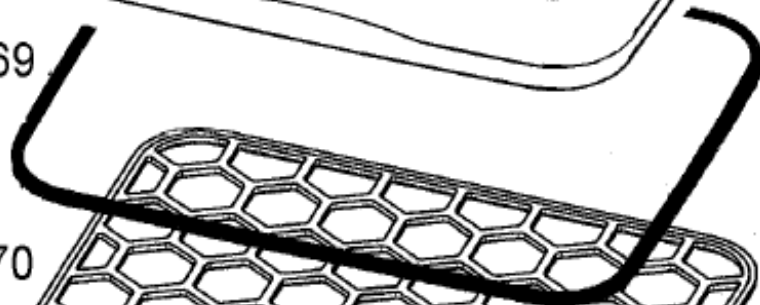
(CT 3100)

3100 ml

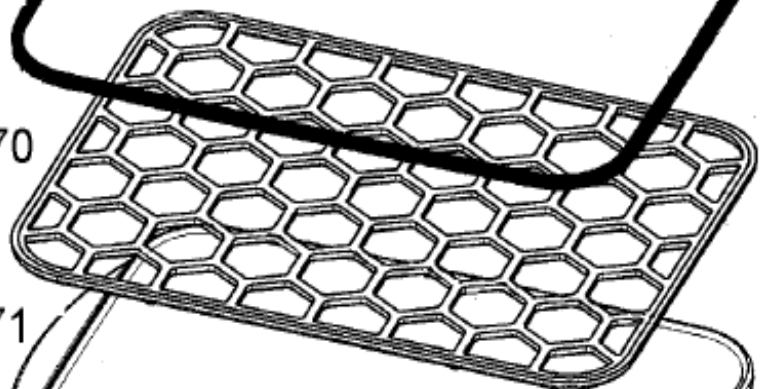
68



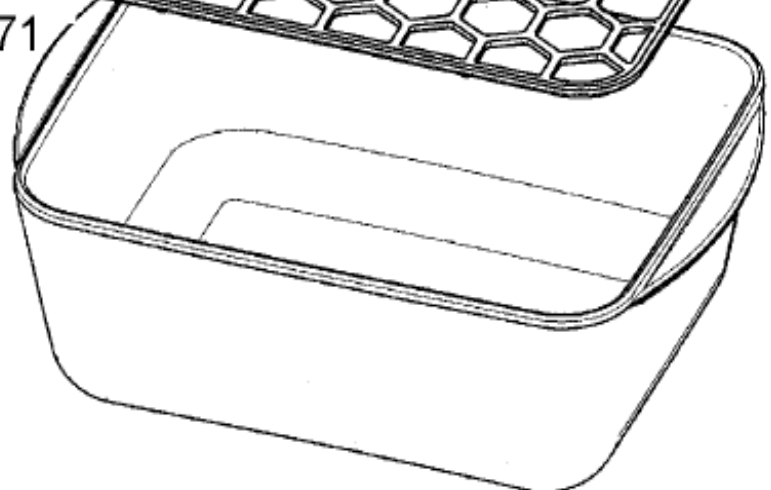
69



70



71

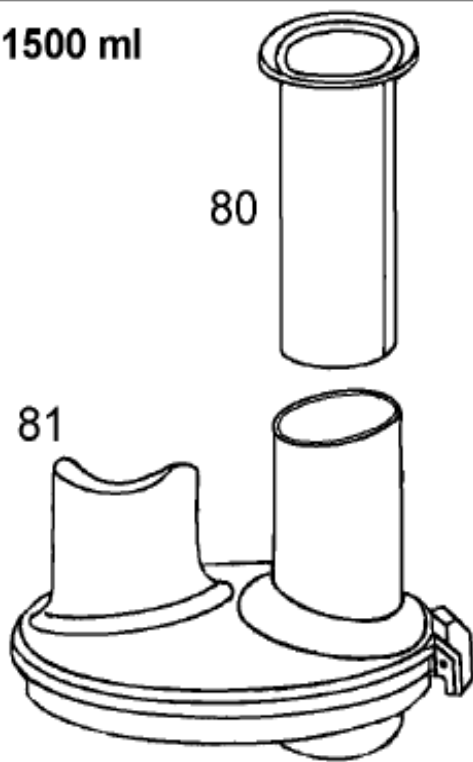


(MR 70 / FP 6000)

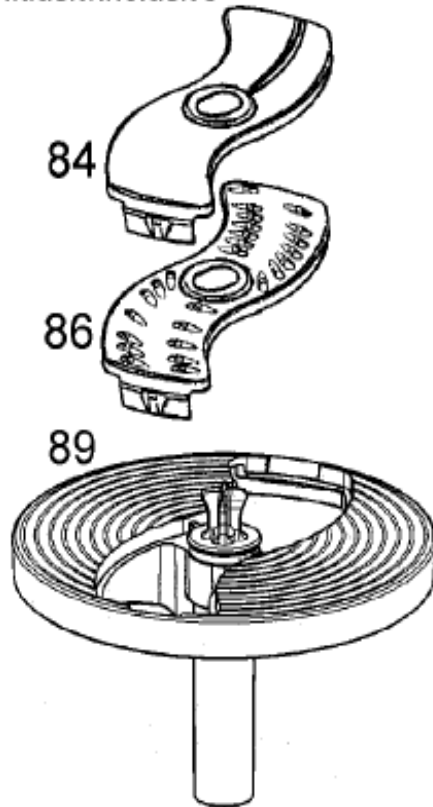
(FP 6000)

(MR 70)

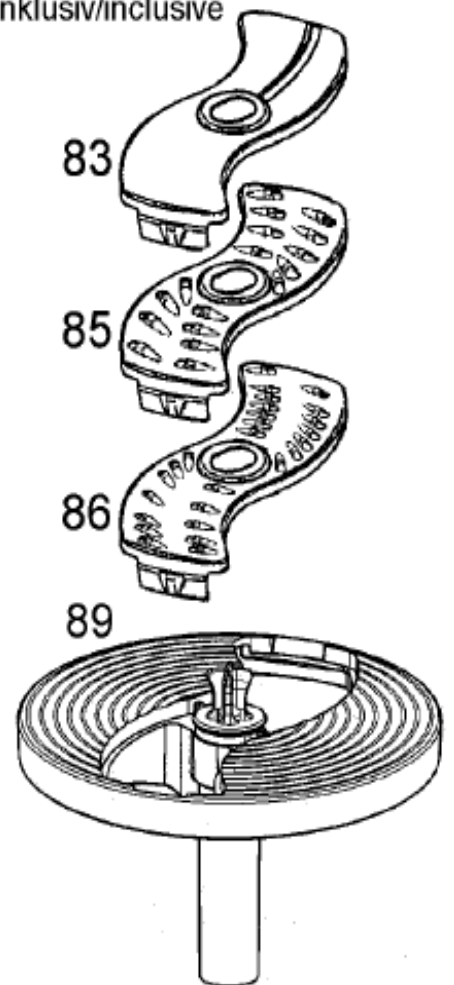
1500 ml



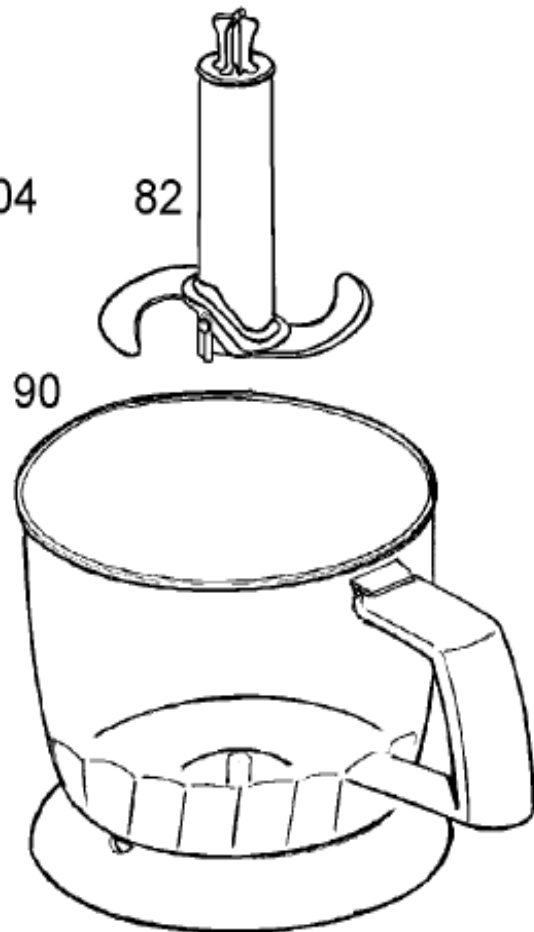
inklusive/inclusive



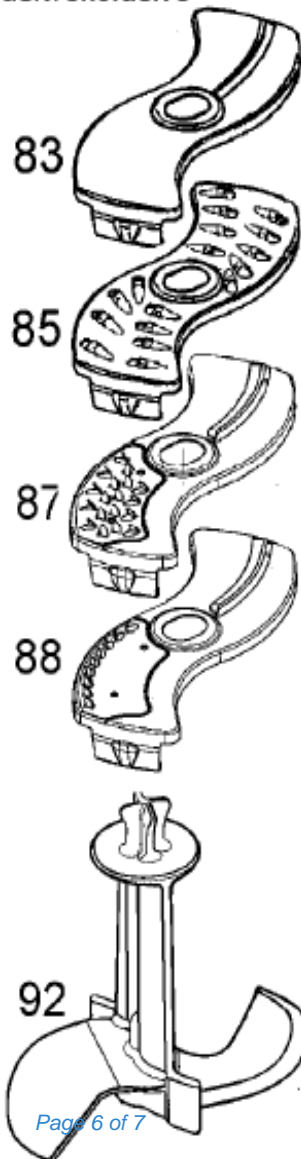
inklusive/inclusive



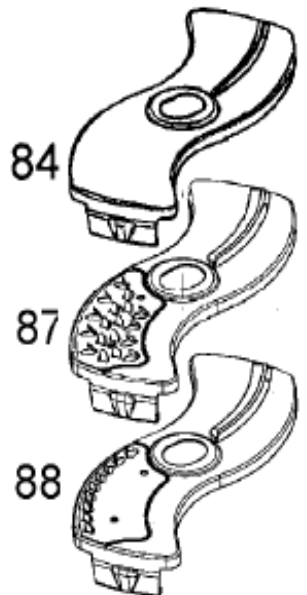
104



exklusiv/exclusive



exklusiv/exclusive



BRAUN
GB 4191 MR 5550 M/CA VP2,

Multiquick 5, Minipimer 5, Multiquick
7, Minipimer 7, Multiquick

Pos.	Code	Description	professional, Minipimer professional, Multiquick fresh, Minipimer fresh
	BR64194785	CT 3100 (3100 ml)	
1	BR67050777	Motor group cpl., white/blue MR 5500...	
3	BR67050778	ICS 4165-4199 METAL SHAFT CPL.	
4	BR67050811	ICS COUPLING	
10	BR67050133	LID	
11	BR67050132	BEAKER, PLASTIC	
20	BR67050135	ICS MR6000 GEARHOUSING CA 2UNITS DLS	
31	BR67050141	KNIFE INSERT	
32	BR67050142	CONTAINER (500ML)	
50	BR67050148	ICS GEAR WH5000 White	
405	BR64194786	CT 900 (900 ml)	