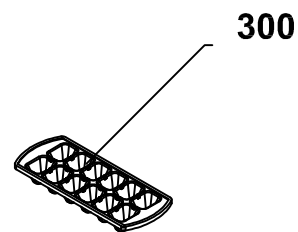
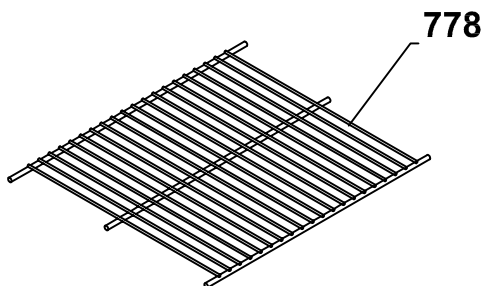
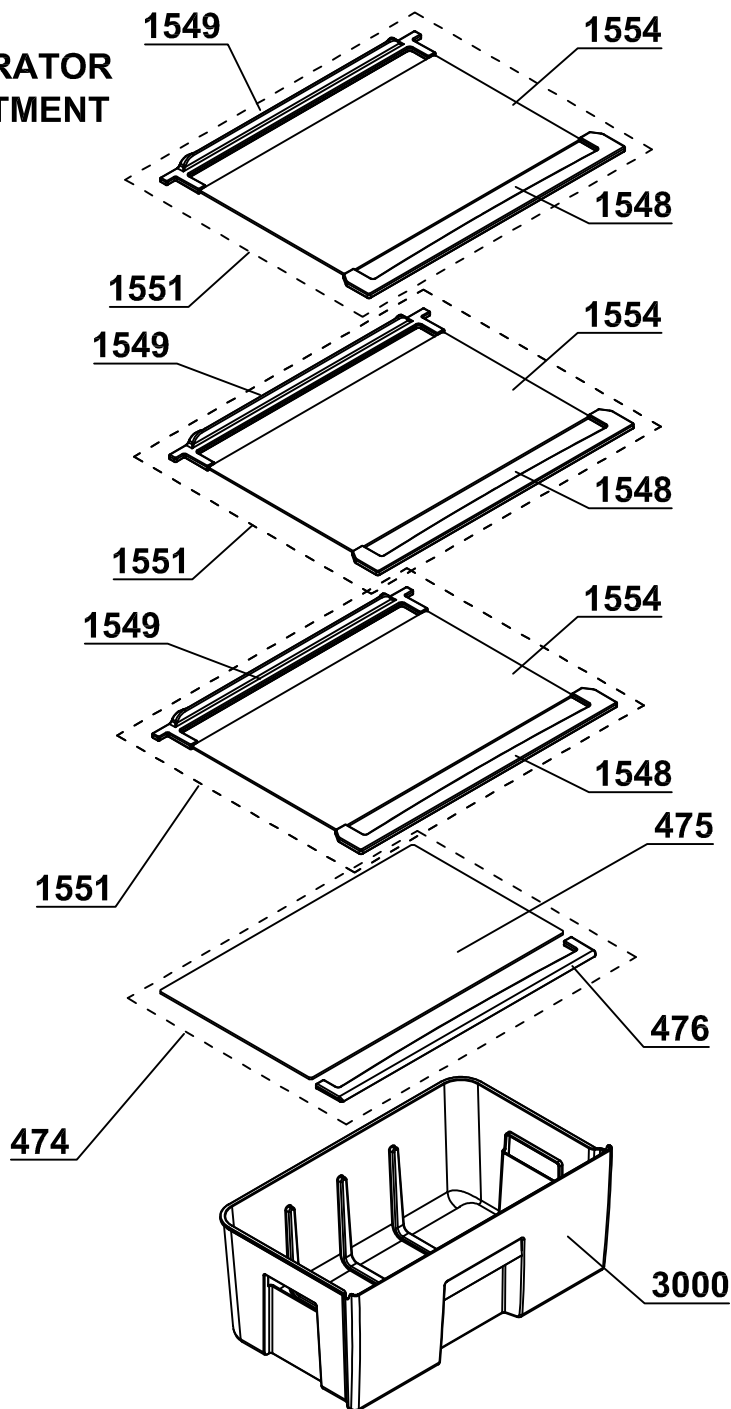


**FREEZER
COMPARTMENT**



**REFRIGERATOR
COMPARTMENT**



Product code:
7507520052

Model:
DOUBLE DOOR REFRIGERATOR D6310-HC

Appendix:
3

EF 2326 RA+ BRU

Revision: 00

Ionela Enculescu - PDD

24.01.2012