

**A003**  
COVER + MES PUMP  
ASSEMBLED BY THE  
SUPPLIER

**A066** {  
A004  
A006

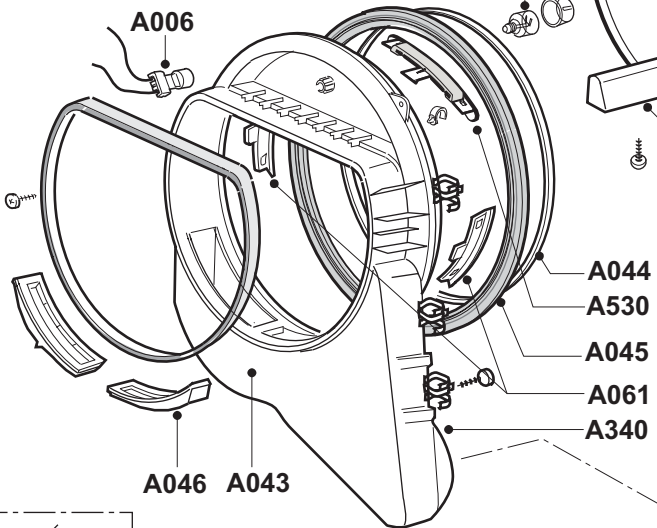
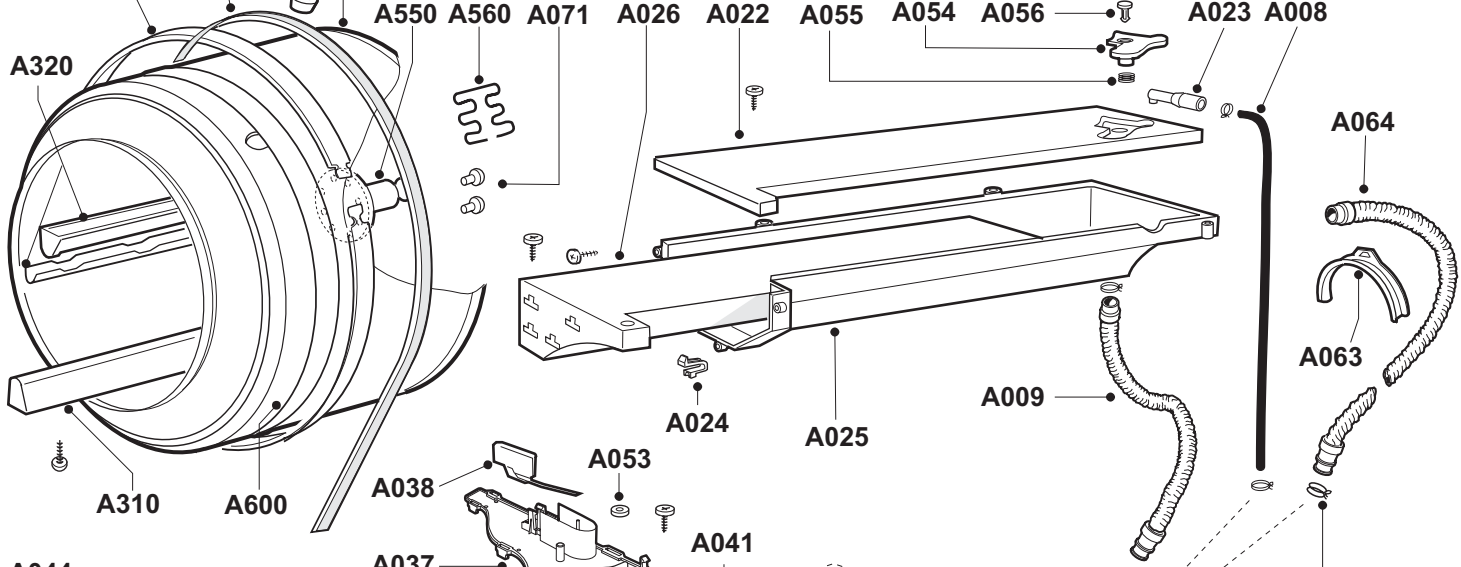
**A078** {  
A200  
A110

A640  
A620  
A610  
A630  
A570  
A005  
A004

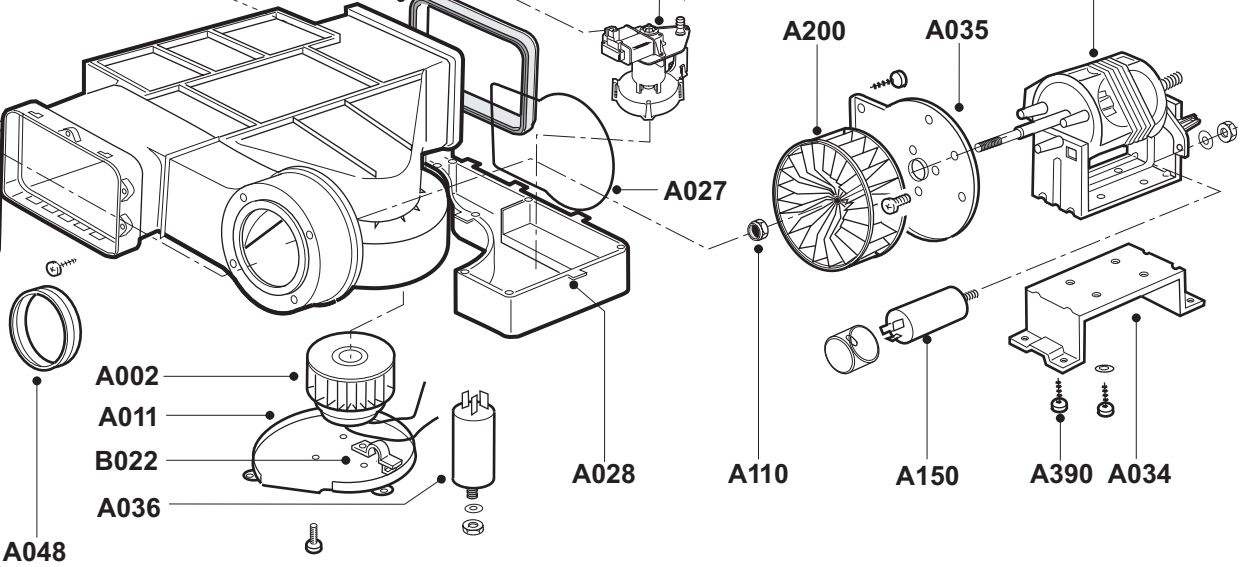
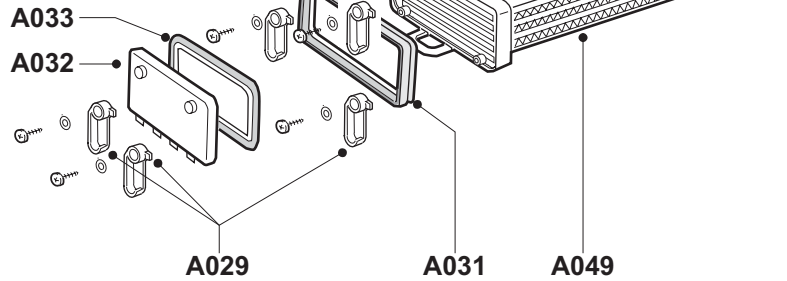
A300  
A580  
A290  
A590

**old version**

999016232  
DRYING GROUP  
ASEC  
04-02-2005



**LVK079** {  
A044  
A340  
A530



new version

999016232  
DRYING GROUP  
ASEC  
09-03-2005

