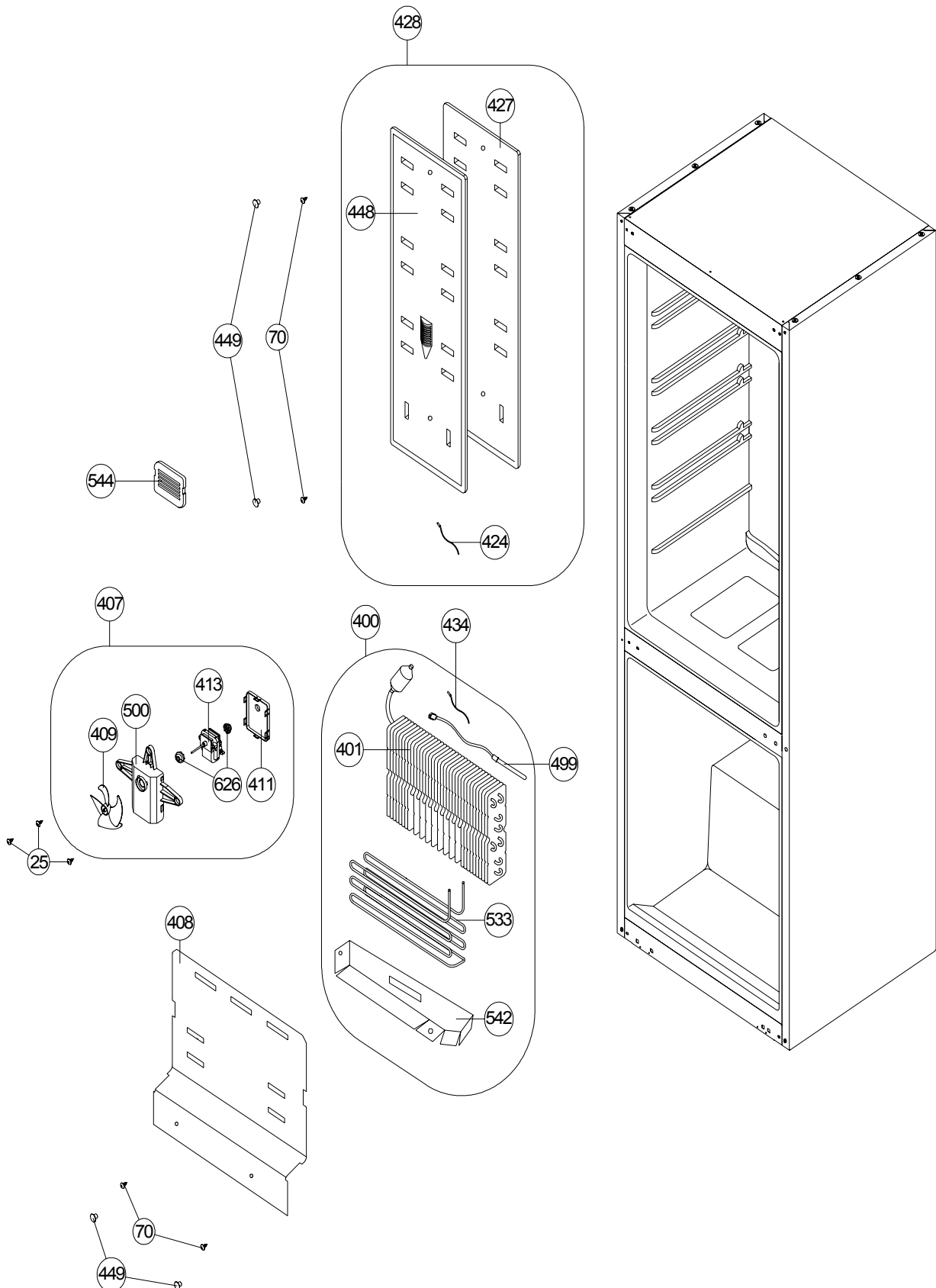


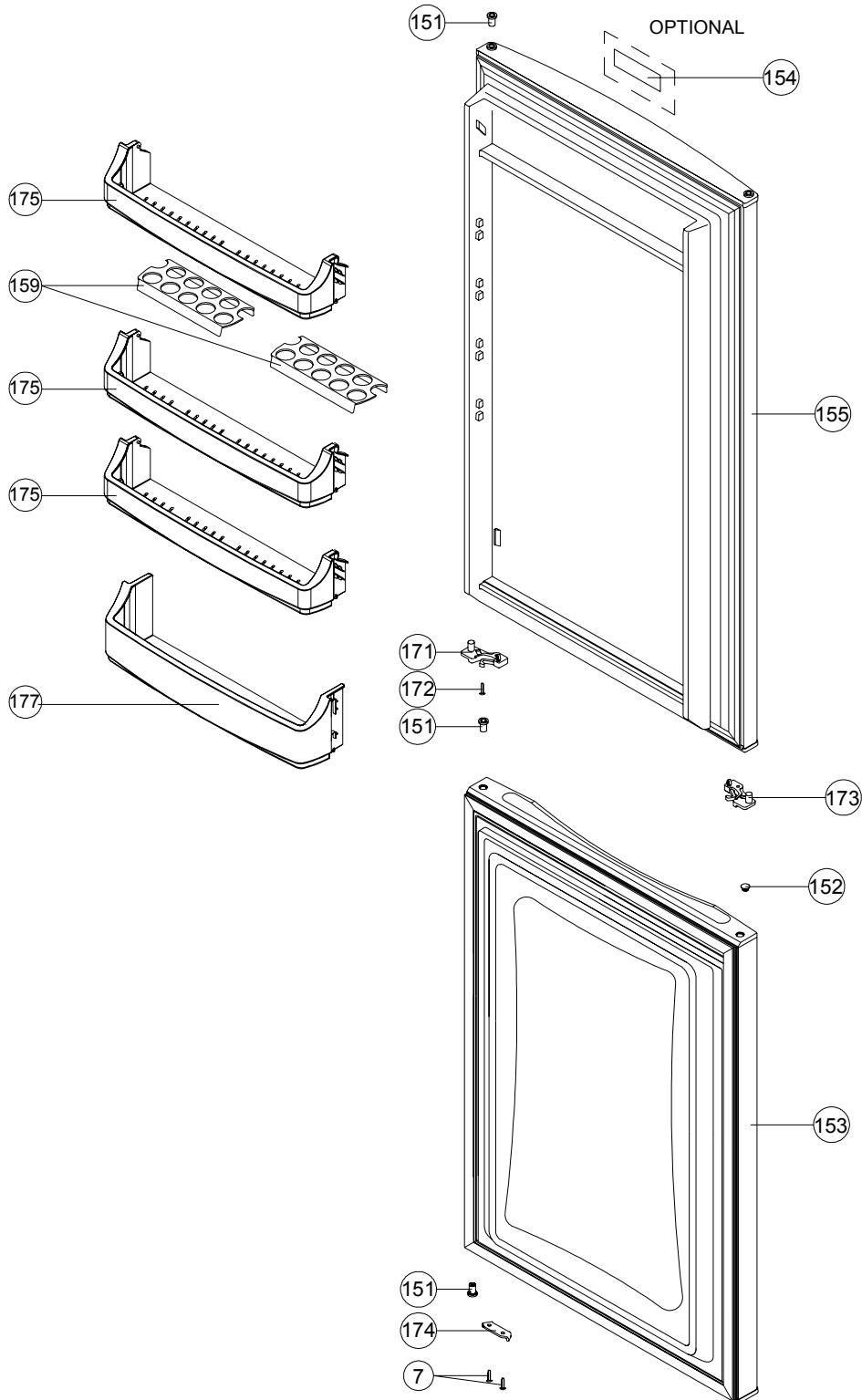
POSITION NUMBER	PART NAME
1	ASSY URT CAB/3664M
3	TOP HINGE/260 (WITH PIN)
4	TOP HINGE/260 (WITHOUT PIN)
6	HEAD PANEL/366
7	SCREW M5*14 WN 1342-H EJOT
9	MIDDLE HINGE/345
12	MIDDLE HINGE SCREW CAP (BIG)
13	DOOR SWITCH
15	BOTTOM HINGE/345
16	ADJUSTABLE FOOT M8X35
18	ICE TRAY
19	F GLASS SHELF /366
22	LAMP (E14/220-240V/15W)
23	LAMP HOLDER-E14
25	SCREW PLS KA 40*13(INOX-S.UÇ)SUS 430
28	LAMP COVER/360
29	THERMOSTAT KNOB
30	THERMOSTAT KNOB PIM
37	R GLASS SHELF/366
38	R GLASS SHELF TRIM/366
38A	GLASS SHELF BACK CORNER TRIM RIGHT
38B	GLASS SHELF BACK CORNER TRIM LEFT
41	CRISPER/366
58	KICK PLATE HOLDER
59	SCREW 3.5*13 DIN 7981 YSB
60	KICK PLATE/345
71	WINE SHELF366 (OPTIONAL)
78	KICK PLATE CAP/640P
92	MIDDLE BASKET/366
93	BOTTOM BASKET/366
102	HEAD PANEL GR/366
107	POT CARD/VE
111	LAMP BOX ASSY
112	LAMP BOX
115	THERMOSTAT ASSY.BRACKET
136	HEAD PANEL CAP/245
223	FOOT/115
700A	STOPPER UPPER/RIGHT 366
701A	STOPPER BOTTOM/RIGHT 366
700B	STOPPER UPPER/LEFT 366
701B	STOPPER BOTTOM/LEFT 366



VESTEL WHITE GOODS	NF-COMBI 3664 MECHANIC	CUSTOMER SUPPORT
	MULTIFLOW PARTS LIST	

POSITION NUMBER	PART NAME
25	SCREW 40*13 YSB-R-C-INOX
70	SCREW KA 40*14 YSB-R-F-INOX
400	FIN EVAP ASSY/366
401	FIN EVAPORATOR/366
407	F FAN MOTOR GR
408	F MULTIFLOW GR/3664
409	PROPELLER
411	F FAN MOTOR COVER
413	EVAP FAN MOTOR
427	R MULTI FLOW INSULATION
428	R MULTI FLOW GR
424	F SENSOR
448	MULTI FLOW SRGF/366
449	R MULTIFLOW CAP/ 640
499	THERMAL FUSE ASSY
500	F FAN MOTOR BOX
533	FIN EVAP HEATER/366
542	FIN EVAPORATOR CASE/366
544	R AIRDUCKS COVER/366
626	FREEZER FAN MOTOR RUBBER

DECEMBER 2015



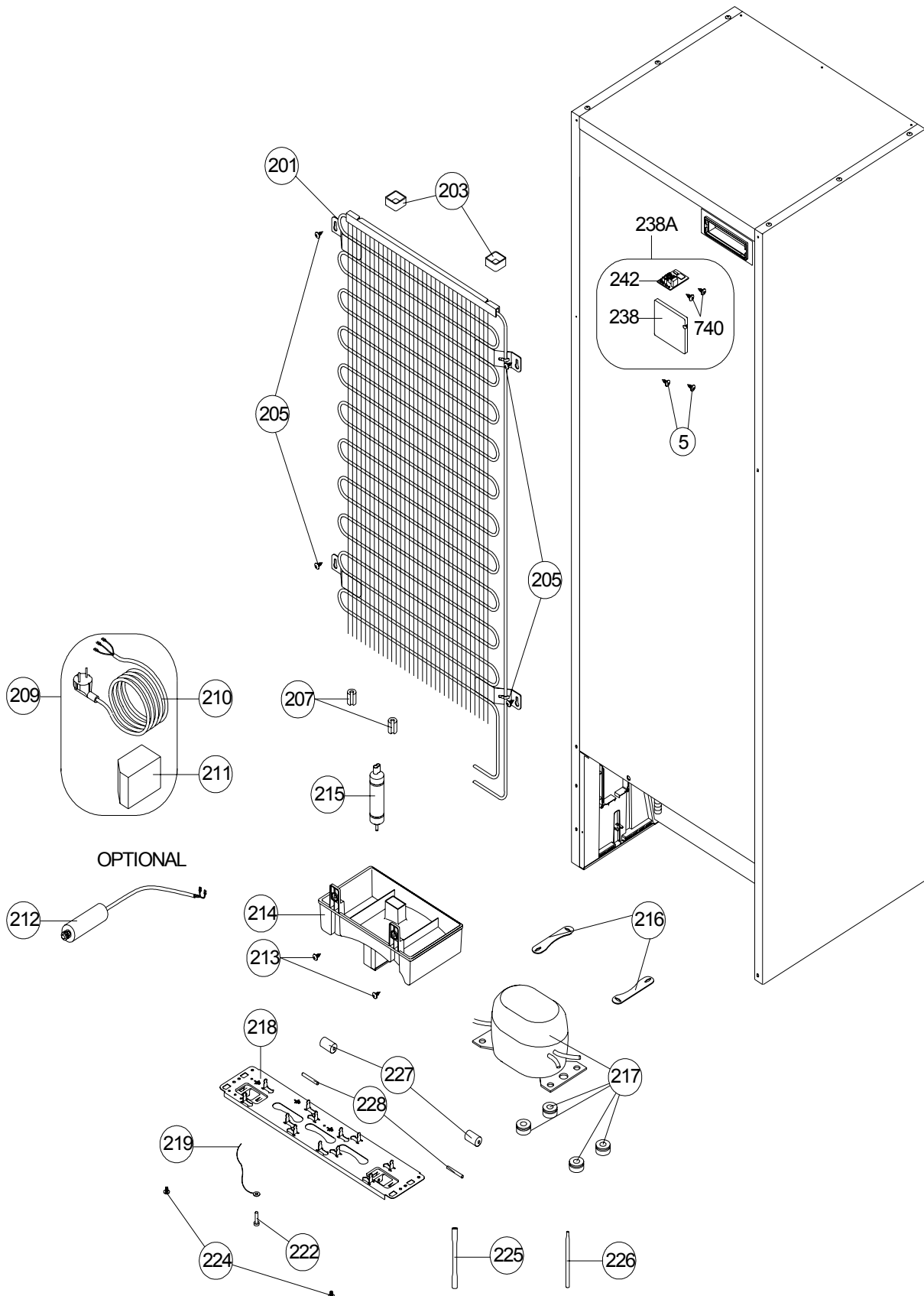
VESTEL WHITE GOODS	NF-COMBI 3664 MECHANIC	CUSTOMER SUPPORT
	DOOR ASSY. PARTS LIST	

POSITION NUMBER	PART NAME
7	SCREW M5*14 WN 1342-H EJOT
151	BUSHING/345P
152	BUSHING CAP
153	F DOOR ASSY/360V
154	LOGO (<i>OPTIONAL</i>)
155	R DOOR ASSY/360V
156	SHELF COVER/345 (<i>OPTIONAL</i>)
158	EGG SHELF/345
159	EGG HOLDER(I+II)345
171	CATCHER RIGHT
172	SCREW KA 35*12 WN 1412(S.U)EJOT
173	CATCHER LEFT
174	R BOTTOM STOPPER
175	CHEESE/BUTTER SHELF/345
176	BOTTLE HOLDER (<i>OPTIONAL</i>)
177	BOTTLE SHELF/345

ABBREVIATIONS :

ASSY : ASSEMBLY
 R : REFRIGERATOR
 F : FREEZER

DECEMBER 2015



UNIT PARTS LIST

POSITION NUMBER	PART NAME
5	SCREW KA 40*8 WN 1412 EJOT
70	SCREW KA 40*14 YSB-R-F-INOX
201	MAIN CONDANSER/345
203	SPACER
205	SCREW ST 4.8*13 YSB-T-C
207	ANTIVIBRATION (CONDENSER)
209	POWER CORD GR
210	POWER CORD
211	OVER LOAD RELAY
212	CAPACITOR (<i>OPTIONAL</i>)
213	SCREW 4.2*9.5 DIN 7981 YSB
214	EVAPORATING TRAY/345
215	DRYER (XH9,10GR)
216	COMPR. FIXING BRACKET
217	COMPRESSOR
218	COMPR. BASEMENT/345
219	GROUNDING WIRE
222	SCREW M4*16 DIN 933 ZNK
224	SCREW KA 50*14 WN 1412 EJOT
225	SERVICE TUBE
226	DRYER VACUUM TUBE
227	WHEEL
228	REAR WHEEL PIN
238	MAINBOARD COVER
238A	MAINBOARD COVER GR 3664M
242	MB/BDA20-4/3664M/