

DAEWOO

Service Manual

Digital Satellite Receiver

MODEL : DSD-9420

DAEWOO
ELECTRONICS



March. 2006

CONTENTS

PRODUCT SPECIFICATION	2
BOM LIST.....	3
SCHEMATIC DIAGRAM	7
EXPLODED VIEW.....	14

Product Specification

Tuner & Service Decoder

Antenna	75 ohms(UHF)
Channel Coverage	UHF : Ch21 - Ch69
RF Frequency Range	474 - 858 MHz
Channel Bandwidth	8MHz
RF Input/Output Connector	IEC connector 169-2(female),diameter 9.5mm
Modulator	COFDM

MPEG Transport Stream A/V Decoding

Transport stream	MPEG2 compatible
Profile level	MPEG-2 MP@ML
Input rate	68Mbits/s Max
Aspect ratio	4:3,16:9
Video resolution	720 X 576
Audio format	MPEG2 -Musicam(layer 1 &2)
Audio sampling	32,44.1,48kHz

Main System

Main Processor	STi5518
Flash Memory	2MByte
Sync DRAM	8MByte

A/V In/Out

Antenna Jack Type	
- Antenna Jack Layout	In : Up , Out : Down
Scart Jack	
- TV	Composite/RGB/S-video +audio(stereo)
- VCR/DVD	RGB,SVHS, CVBS Input

Power Supply

Input Voltage	240V, 50/60Hz
Type	ADAPTOR(5V,1.2A)
Power consumption	
- Maximum	11W
- Operate	11W
- Stand-by	10W

Physical Specification

Dimensions(W x H x D)	230 X 36 X 180mm
Storage temp	-5°C~40°C
Storage humidity	5% to 90%

BOM LIST

⚠ **CAUTION** : In this Service Manual, some parts can be changed for improving their performance without notice in the parts list. So, if you need the latest parts information, please refer to PPL(Parts Price List)in Service information Center

LOC	PART CODE	PART NAME	PART DESC	REMARK	LOC	PART CODE	PART NAME	PART DESC	REMARK
01 -	PSACPS571	ACCESSROY AS	DSD-9420 EU		C123	HCFH104ZBA	C CHIP CERA	Y5V 25V 100NF (-20% +80%) 1608	
DP03	97NP509500	DVB-T STB BAG	LDPE 260 X 355 + 40		C124	HCFH104ZBA	C CHIP CERA	Y5V 25V 100NF (-20% +80%) 1608	
M1001	97P770D522	PSU ADAPTER	*CE*FRIWO SW.MODE 2PIN		C125	HCQK220JBA	C CHIP CERA	COG 50V 22PF 5% 1608	
M1002	97P880R310	CABLE RF	PAL DS 1.0M (PLUG SHIELD)		C126	HCQK220JBA	C CHIP CERA	COG 50V 22PF 5% 1608	
M2002	97P7701000	CABLECANAL PLUS	PERI-PERI 1200MM 9 PIN		C127	HCQK430JBA	C CHIP CERA	COG 50V 43PF 5% 1608	
M2003	97P1R9CAA0	REMOCON	NBU STB REMOTE		C128	HCQK430JBA	C CHIP CERA	COG 50V 43PF 5% 1608	
M3010	486A716202	BATTERY	AAA 1.5V (SUPERGARD)		C129	HCFH104ZBA	C CHIP CERA	Y5V 25V 100NF (-20% +80%) 1608	
M3011	B2MNDAE009L0	MANUAL OWNERS	DSD-9420 MANUAL		C130	HCBK103KBA	C CHIP CERA	X7R 50V 10NF 10% 1608	
02 -	PSPKCPP571	PACKING AS	DSD-9420 EU		C131	HCBK103KBA	C CHIP CERA	X7R 50V 10NF 10% 1608	
CP02	NULL-ITEM-	PHANTOM ITEM	DO NOT FIT		C132	HCBK103KBA	C CHIP CERA	X7R 50V 10NF 10% 1608	
M101	SWN1F05615	FLASH PGM	EB01.1.3.1 EU USE YELLOW LABEL		C133	HCBK103KBA	C CHIP CERA	X7R 50V 10NF 10% 1608	
M3013	97P9320114	RATING LABEL	BLANK PE SILVER 56 X 35		C134	HCBK103KBA	C CHIP CERA	X7R 50V 10NF 10% 1608	
03 -	PSMCASP571	CHASSIS MAIN AS	DSD-9420 EU		C135	HCBK103KBA	C CHIP CERA	X7R 50V 10NF 10% 1608	
A040	97P0488500	COVER TOP	SECC T0.5 PCM		C136	HCBK103KBA	C CHIP CERA	X7R 50V 10NF 10% 1608	
A041	7173300852	SCREW TAPPTITE	TT2 BIN 3X8 BK 3CR		C137	HCBK103KBA	C CHIP CERA	X7R 50V 10NF 10% 1608	
A060	97P0488600	COVER BOTTOM	SECC T0.8		C138	HCBK103KBA	C CHIP CERA	X7R 50V 10NF 10% 1608	
A061	7173300851	SCREW TAPPTITE	TT2 BIN 3X8 MFZN 3CR		C139	HCBK103KBA	C CHIP CERA	X7R 50V 10NF 10% 1608	
M01	97PP349500D02	FRONT PANEL	DSD-9420 DAEWOO NO SLOT		C140	HCBK103KBA	C CHIP CERA	X7R 50V 10NF 10% 1608	
M2001	97FUS7090D09	BOX CARTON	DSD-9420 BOX		C141	HCBK103KBA	C CHIP CERA	X7R 50V 10NF 10% 1608	
M2008	97FUSINSD02	BOX INSERT	CARDBOARD TRAY FOR DSD-9420		C142	HCBK103KBA	C CHIP CERA	X7R 50V 10NF 10% 1608	
M3012	97P9320101	DOUBLE OUTPUT LABEL	67 X 27 / 67 X 11		C143	HCBK103KBA	C CHIP CERA	X7R 50V 10NF 10% 1608	
Z001	PSMPMSP571	PCB MAIN MANUAL AS	DSD-9420 EU		C144	HCBK103KBA	C CHIP CERA	X7R 50V 10NF 10% 1608	
AM01	2193010300	SOLDER WIRE	SN 63% PB 37% DIA. 3.00MM		C145	HCBK103KBA	C CHIP CERA	X7R 50V 10NF 10% 1608	
C821	CEXF1A332E	C ELECTRO	10V RM 3300MF (13X20)		C146	HCBK103KBA	C CHIP CERA	X7R 50V 10NF 10% 1608	
IR902	1TSOP1136-	IR RECEIVER	TSOP1136 5V 36KHZ 3PIN		C147	HCFH104ZBA	C CHIP CERA	Y5V 25V 100NF (-20% +80%) 1608	
JK101	97P6318640	JACK SCART	SINGLE SCART CLIP		C148	HCFH104ZBA	C CHIP CERA	Y5V 25V 100NF (-20% +80%) 1608	
JK102	97P6318640	JACK SCART	SINGLE SCART CLIP		C149	HCBK103KBA	C CHIP CERA	X7R 50V 10NF 10% 1608	
JK104	97P63DC001	SOCKET DC IN	WS-DC001BSNT1		C150	HCQK470JBA	C CHIP CERA	COG 50V 47PF 5% 1608	
RF01	97P761344Y	TUNER 2 IN 1	TD1344L/IHP-2 DTT TUNER NO MOD		C151	HCQK101JBA	C CHIP CERA	COG 50V 100PF 5% 1608	
Z0011	PSMPJ2P571	MAIN CHIP TOP AS	DSD-9420 EU		C152	HCQK101JBA	C CHIP CERA	COG 50V 100PF 5% 1608	
AMB1	2193011650	SOLDER PASTE	SMO92J TYPE 3 (INDIUM)		C153	HCFH104ZBA	C CHIP CERA	Y5V 25V 100NF (-20% +80%) 1608	
C102	HCFH104ZBA	C CHIP CERA	Y5V 25V 100NF (-20% +80%) 1608		C154	HCBK103KBA	C CHIP CERA	X7R 50V 10NF 10% 1608	
C103	HCBK103KBA	C CHIP CERA	X7R 50V 10NF 10% 1608		C155	HCBK103KBA	C CHIP CERA	X7R 50V 10NF 10% 1608	
C104	HCFH105ZBA	C CHIP CERA	Y5V 16V 1000NF +80--20% 1608		C156	HCBK103KBA	C CHIP CERA	X7R 50V 10NF 10% 1608	
C106	HCFH104ZBA	C CHIP CERA	Y5V 25V 100NF (-20% +80%) 1608		C157	HCBK103KBA	C CHIP CERA	X7R 50V 10NF 10% 1608	
C107	HCFH104ZBA	C CHIP CERA	Y5V 25V 100NF (-20% +80%) 1608		C158	HCBK103KBA	C CHIP CERA	X7R 50V 10NF 10% 1608	
C108	HCFH105ZBA	C CHIP CERA	Y5V 16V 1000NF +80--20% 1608		C159	HCBK103KBA	C CHIP CERA	X7R 50V 10NF 10% 1608	
C109	HCFH105ZBA	C CHIP CERA	Y5V 16V 1000NF +80--20% 1608		C160	HCBK103KBA	C CHIP CERA	X7R 50V 10NF 10% 1608	
C110	HCBK471KBA	C CHIP CERA	X7R 50V 470PF 10% 1608		C161	HCBK103KBA	C CHIP CERA	X7R 50V 10NF 10% 1608	
C111	HCBK471KBA	C CHIP CERA	X7R 50V 470PF 10% 1608		C162	HCBK103KBA	C CHIP CERA	X7R 50V 10NF 10% 1608	
C114	HCQK430JBA	C CHIP CERA	COG 50V 43PF 5% 1608		C163	HCBK103KBA	C CHIP CERA	X7R 50V 10NF 10% 1608	
C115	HCQK430JBA	C CHIP CERA	COG 50V 43PF 5% 1608		C164	HCBK103KBA	C CHIP CERA	X7R 50V 10NF 10% 1608	
C116	HCBK103KBA	C CHIP CERA	X7R 50V 10NF 10% 1608		C165	HCBK103KBA	C CHIP CERA	X7R 50V 10NF 10% 1608	
C119	HCFH104ZBA	C CHIP CERA	Y5V 25V 100NF (-20% +80%) 1608		C166	HCBK103KBA	C CHIP CERA	X7R 50V 10NF 10% 1608	
C120	HCQK101JBA	C CHIP CERA	COG 50V 100PF 5% 1608		C167	HCBK103KBA	C CHIP CERA	X7R 50V 10NF 10% 1608	
C121	HCQK101JBA	C CHIP CERA	COG 50V 100PF 5% 1608		C168	HCBK103KBA	C CHIP CERA	X7R 50V 10NF 10% 1608	
C122	HCFK154ZCA	C CHIP CERA	50V Y5V 0.15MF Z		C169	HCQK101JBA	C CHIP CERA	COG 50V 100PF 5% 1608	

BOM LIST

LOC	PART CODE	PART NAME	PART DESC	REMARK	LOC	PART CODE	PART NAME	PART DESC	REMARK
C171	HCFH104ZBA	C CHIP CERA	Y5V 25V 100NF (-20% +80%) 1608		D125	DBAV99 -B	DIODE CHIP	BAV 99 / SOT23	
C172	HCFH104ZBA	C CHIP CERA	Y5V 25V 100NF (-20% +80%) 1608		D802	D B A T 5 4	DIODE SCHOTTKY	BAT54 SOT23	
C173	HCFH104ZBA	C CHIP CERA	Y5V 25V 100NF (-20% +80%) 1608		F802	5PJYS51R5	FILTER EMI	ZJYS51R5-2PT SMD	
C174	HCFH104ZBA	C CHIP CERA	Y5V 25V 100NF (-20% +80%) 1608		IC01	1ST5518BVC	IC CPUMPEG2	ST5518 - C VERSION	
C175	HCFH104ZBA	C CHIP CERA	Y5V 25V 100NF (-20% +80%) 1608		IC02	1EDS6416AH	IC SDRAM	EDS6416AHTA-75-E 64M TSOP	
C176	HCFH104ZBA	C CHIP CERA	Y5V 25V 100NF (-20% +80%) 1608		IC04	1S29AL016M	IC FLASH	S29AL016M90TAI010 16MB TSOP48	
C177	HCFH104ZBA	C CHIP CERA	Y5V 25V 100NF (-20% +80%) 1608		IC05	1ZL10353	IC COFDM DEMODULATOR	ZL10353 LQFP64	
C185	HCFH104ZBA	C CHIP CERA	Y5V 25V 100NF (-20% +80%) 1608		IC07	1A1117E18D	IC REGULATOR	AP1117E18A 1.8V 2% SOT-223	
C188	HCBK392KBA	C CHIP CERA	X7R 50V 390PF 10% 1608		IC08	1AMD809SAR	IC RESET	ADM809SART 2.93V SMD SOT23	
C189	HCQK391JBA	C CHIP CERA	COG 50V 390PF 5% 1608		IC09	1CS4334KS-	IC AUDIO DAC	CS4334KS 24 BIT SOIC8	
C190	HCQK391JBA	C CHIP CERA	COG 50V 390PF 5% 1608		IC12	1K1A358F-C	IC CHIP OP AMP	KIA358F DUAL OP AMP FLP-8	
C191	HCBK103KBA	C CHIP CERA	X7R 50V 10NF 10% 1608		IC13	1SN74HCU0D	IC HEX INVERTER	2B CONFIRMED	
C192	HCBK392KBA	C CHIP CERA	X7R 50V 390PF 10% 1608		IC14	1SP6650 -	IC SWITCH CONTROLLER	SP6650 SO10	
C193	HCQK391JBA	C CHIP CERA	COG 50V 390PF 5% 1608		IC21	1ML0308 -	IC DCDC CONVERTER	ML0308	
C194	HCQK391JBA	C CHIP CERA	COG 50V 390PF 5% 1608		IC22	1A1117E33D	IC REGULATOR	AP1117E33D 3.3V 2% SOT-223	
C195	HCBK103KBA	C CHIP CERA	X7R 50V 10NF 10% 1608		L101	HRFS000-BA	R CHIP	1/16 0 OHM 1608	
C196	HCBK392KBA	C CHIP CERA	X7R 50V 390PF 10% 1608		L102	HLX601-01B	L CHIP BEAD	BLM18AG601SN1 200MA 600OHM	
C197	HCQK391JBA	C CHIP CERA	COG 50V 390PF 5% 1608		L103	HLX601-01B	L CHIP BEAD	BLM18AG601SN1 200MA 600OHM	
C198	HCQK391JBA	C CHIP CERA	COG 50V 390PF 5% 1608		L104	HLX601-01B	L CHIP BEAD	BLM18AG601SN1 200MA 600OHM	
C199	HCBK103KBA	C CHIP CERA	X7R 50V 10NF 10% 1608		L106	HLX601-01B	L CHIP BEAD	BLM18AG601SN1 200MA 600OHM	
C200	HCBK392KBA	C CHIP CERA	X7R 50V 390PF 10% 1608		L107	HLX601-01B	L CHIP BEAD	BLM18AG601SN1 200MA 600OHM	
C201	HCQK391JBA	C CHIP CERA	COG 50V 390PF 5% 1608		L108	HRFS000-BA	R CHIP	1/16 0 OHM 1608	
C202	HCQK391JBA	C CHIP CERA	COG 50V 390PF 5% 1608		L111	HLX601-01B	L CHIP BEAD	BLM18AG601SN1 200MA 600OHM	
C203	HCFH105ZBA	C CHIP CERA	Y5V 16V 1000NF +80~-20% 1608		L112	HLX601-01B	L CHIP BEAD	BLM18AG601SN1 200MA 600OHM	
C204	HCBK392KBA	C CHIP CERA	X7R 50V 390PF 10% 1608		L113	HLX601-01B	L CHIP BEAD	BLM18AG601SN1 200MA 600OHM	
C205	HCQK391JBA	C CHIP CERA	COG 50V 390PF 5% 1608		L114	HLX601-01B	L CHIP BEAD	BLM18AG601SN1 200MA 600OHM	
C206	HCQK391JBA	C CHIP CERA	COG 50V 390PF 5% 1608		L115	HLX601-01B	L CHIP BEAD	BLM18AG601SN1 200MA 600OHM	
C207	HCFH105ZBA	C CHIP CERA	Y5V 16V 1000NF +80~-20% 1608		L120	HLX601-01B	L CHIP BEAD	BLM18AG601SN1 200MA 600OHM	
C215	HCQK181JBA	C CHIP CERA	COG 50V 180PF 5% 1608		L121	HLX601-01B	L CHIP BEAD	BLM18AG601SN1 200MA 600OHM	
C216	HCQK181JBA	C CHIP CERA	COG 50V 180PF 5% 1608		L122	HLX601-01B	L CHIP BEAD	BLM18AG601SN1 200MA 600OHM	
C217	HCQK181JBA	C CHIP CERA	COG 50V 180PF 5% 1608		L123	HLX601-01B	L CHIP BEAD	BLM18AG601SN1 200MA 600OHM	
C218	HCQK181JBA	C CHIP CERA	COG 50V 180PF 5% 1608		L124	HLX601-01B	L CHIP BEAD	BLM18AG601SN1 200MA 600OHM	
C219	HCQK181JBA	C CHIP CERA	COG 50V 180PF 5% 1608		L125	HLX601-01B	L CHIP BEAD	BLM18AG601SN1 200MA 600OHM	
C220	HCFH105ZBA	C CHIP CERA	Y5V 16V 1000NF +80~-20% 1608		L127	HLX601-01B	L CHIP BEAD	BLM18AG601SN1 200MA 600OHM	
C221	HCFH105ZBA	C CHIP CERA	Y5V 16V 1000NF +80~-20% 1608		L128	HLX601-01B	L CHIP BEAD	BLM18AG601SN1 200MA 600OHM	
C222	HCFH105ZBA	C CHIP CERA	Y5V 16V 1000NF +80~-20% 1608		L129	HLX601-01B	L CHIP BEAD	BLM18AG601SN1 200MA 600OHM	
C223	HCFH105ZBA	C CHIP CERA	Y5V 16V 1000NF +80~-20% 1608		L130	HLX601-01B	L CHIP BEAD	BLM18AG601SN1 200MA 600OHM	
C224	HCFH105ZBA	C CHIP CERA	Y5V 16V 1000NF +80~-20% 1608		L131	HLX601-01B	L CHIP BEAD	BLM18AG601SN1 200MA 600OHM	
C225	HCFH105ZBA	C CHIP CERA	Y5V 16V 1000NF +80~-20% 1608		L132	HLX601-01B	L CHIP BEAD	BLM18AG601SN1 200MA 600OHM	
C226	HCBK102KBA	C CHIP CERA	X7R 50V 1NF 10% 1608		L133	HLX601-01B	L CHIP BEAD	BLM18AG601SN1 200MA 600OHM	
C227	HCBK102KBA	C CHIP CERA	X7R 50V 1NF 10% 1608		L134	HLX601-01B	L CHIP BEAD	BLM18AG601SN1 200MA 600OHM	
C228	HCBK102KBA	C CHIP CERA	X7R 50V 1NF 10% 1608		L135	HLX601-01B	L CHIP BEAD	BLM18AG601SN1 200MA 600OHM	
C229	HCBK102KBA	C CHIP CERA	X7R 50V 1NF 10% 1608		L140	HRFS000-BA	R CHIP	1/16 0 OHM 1608	
C230	HCBK102KBA	C CHIP CERA	X7R 50V 1NF 10% 1608		L141	HRFS000-BA	R CHIP	1/16 0 OHM 1608	
C231	HCBK102KBA	C CHIP CERA	X7R 50V 1NF 10% 1608		L142	HLX601-01B	L CHIP BEAD	BLM18AG601SN1 200MA 600OHM	
C234	HCQK181JBA	C CHIP CERA	COG 50V 180PF 5% 1608		L143	HLX601-01B	L CHIP BEAD	BLM18AG601SN1 200MA 600OHM	
C235	HCFH104ZBA	C CHIP CERA	Y5V 25V 100NF (-20% +80%) 1608		L144	HRFS000-BA	R CHIP	1/16 0 OHM 1608	
C245	HCFH104ZBA	C CHIP CERA	Y5V 25V 100NF (-20% +80%) 1608		L145	HRFS000-BA	R CHIP	1/16 0 OHM 1608	
C247	HCFH104ZBA	C CHIP CERA	Y5V 25V 100NF (-20% +80%) 1608		L146	HRFS000-BA	R CHIP	1/16 0 OHM 1608	
C261	HCFH104ZBA	C CHIP CERA	Y5V 25V 100NF (-20% +80%) 1608		L151	HLX601-01B	L CHIP BEAD	BLM18AG601SN1 200MA 600OHM	
C311	HCBK103KBA	C CHIP CERA	X7R 50V 10NF 10% 1608		L152	HLX601-01B	L CHIP BEAD	BLM18AG601SN1 200MA 600OHM	
C312	HCQK471JBA	C CHIP CERA	COG 50V 470PF 5% 1608		Q103	T B C 8 5 7	TR CHIP	BC857 LOW NOISE TR PNP	
C341	HCFH105ZBA	C CHIP CERA	Y5V 16V 1000NF +80~-20% 1608		Q104	T B C 8 5 7	TR CHIP	BC857 LOW NOISE TR PNP	
C804	HCFH104ZBA	C CHIP CERA	Y5V 25V 100NF (-20% +80%) 1608		Q105	T B C 8 5 7	TR CHIP	BC857 LOW NOISE TR PNP	
C902	HCFH104ZBA	C CHIP CERA	Y5V 25V 100NF (-20% +80%) 1608		Q106	T B C 8 5 7	TR CHIP	BC857 LOW NOISE TR PNP	

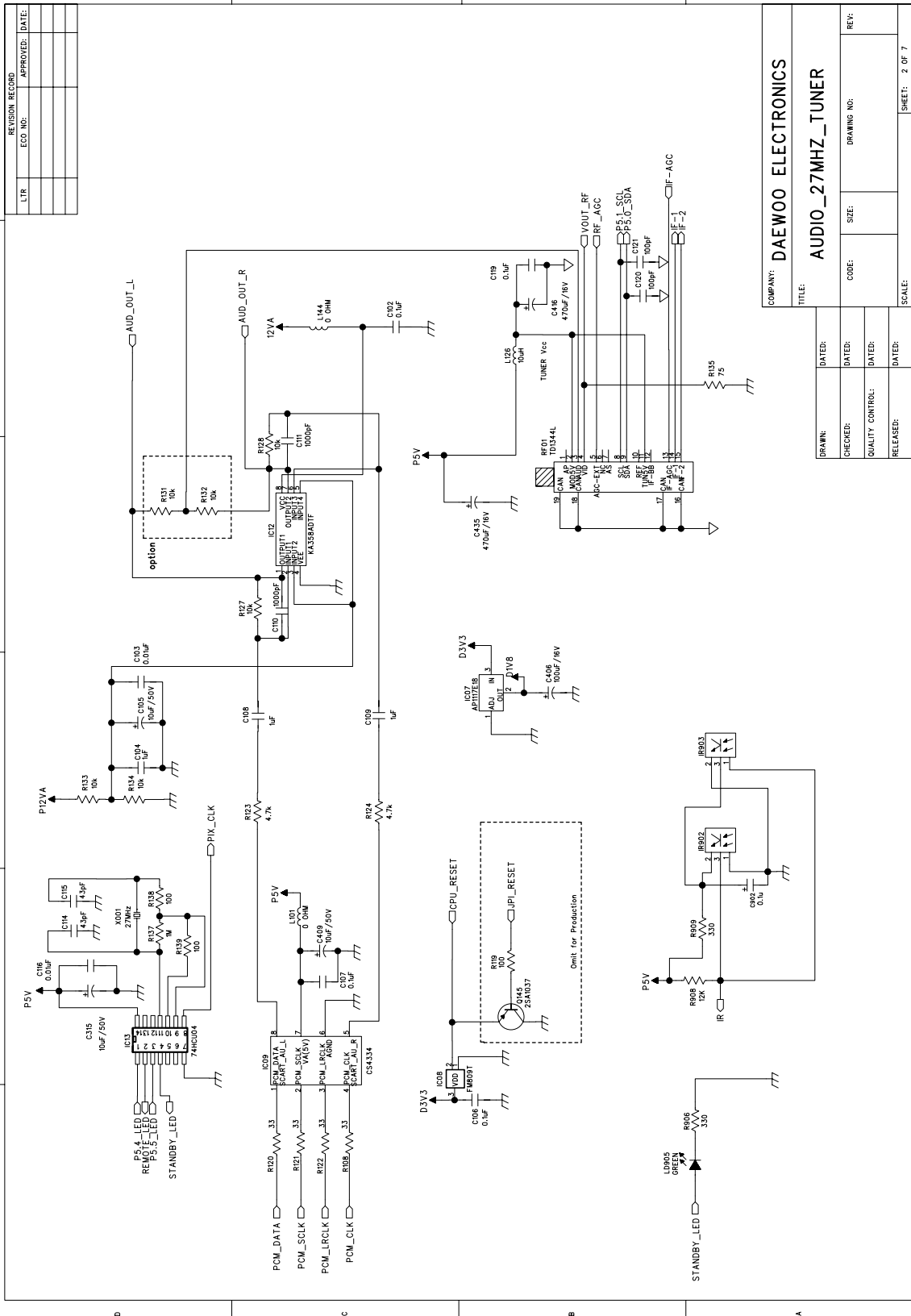
BOM LIST

LOC	PART CODE	PART NAME	PART DESC	REMARK	LOC	PART CODE	PART NAME	PART DESC	REMARK
Q107	T B C 8 5 7	TR CHIP	BC857 LOW NOISE TR PNP		R157	HRFS101JBA	R CHIP	1/16 100R OHM 5% 1608	
Q109	T B C 8 5 7	TR CHIP	BC857 LOW NOISE TR PNP		R158	HRFS472JBA	R CHIP	1/16 4.7K OHM 5% 1608	
Q113	TPMBT2222A	TR CHIP	PMBT2222A TR NPN SOT23		R165	HRFS203JBA	R CHIP	1/16 20K OHM 5% 1608	
Q114	HRFS000-CA	R CHIP	1/16 0 OHM 2012		R166	HRFS203JBA	R CHIP	1/16 20K OHM 5% 1608	
Q115	HRFS000-CA	R CHIP	1/16 0 OHM 2012		R167	HRFS104JBA	R CHIP	1/16 100K OHM 5% 1608	
Q116	HRFS000-CA	R CHIP	1/16 0 OHM 2012		R168	HRFS680JBA	R CHIP	1/16 68R OHM 5% 1608	
Q117	TPMBT2222A	TR CHIP	PMBT2222A TR NPN SOT23		R169	HRFS680JBA	R CHIP	1/16 68R OHM 5% 1608	
Q118	TPMBT2222A	TR CHIP	PMBT2222A TR NPN SOT23		R170	HRFS680JBA	R CHIP	1/16 68R OHM 5% 1608	
Q119	TPMBT2222A	TR CHIP	PMBT2222A TR NPN SOT23		R171	HRFS680JBA	R CHIP	1/16 68R OHM 5% 1608	
Q120	TPMBT2222A	TR CHIP	PMBT2222A TR NPN SOT23		R172	HRFS680JBA	R CHIP	1/16 68R OHM 5% 1608	
Q121	TPMBT2222A	TR CHIP	PMBT2222A TR NPN SOT23		R173	HRFS680JBA	R CHIP	1/16 68R OHM 5% 1608	
Q122	T B C 8 5 7	TR CHIP	BC857 LOW NOISE TR PNP		R174	HRFS104JBA	R CHIP	1/16 100K OHM 5% 1608	
Q123	T B C 8 5 7	TR CHIP	BC857 LOW NOISE TR PNP		R175	HRFS104JBA	R CHIP	1/16 100K OHM 5% 1608	
Q124	TKSR1104-B	TR CHIP	KSR1104		R176	HRFS103JBA	R CHIP	1/16 10K OHM 5% 1608	
Q125	TPMBT2222A	TR CHIP	PMBT2222A TR NPN SOT23		R177	HRFS103JBA	R CHIP	1/16 10K OHM 5% 1608	
Q126	TPMBT2222A	TR CHIP	PMBT2222A TR NPN SOT23		R178	HRFS103JBA	R CHIP	1/16 10K OHM 5% 1608	
Q128	T B C 8 5 7	TR CHIP	BC857 LOW NOISE TR PNP		R179	HRFS330JBA	R CHIP	1/16 33 OHM 5% 1608	
Q129	TKSR1104-B	TR CHIP	KSR1104		R180	HRFS470JBA	R CHIP	1/16 47R OHM 5% 1608	
Q130	TKSR1104-B	TR CHIP	KSR1104		R181	HRFS103JBA	R CHIP	1/16 10K OHM 5% 1608	
Q131	TPMBT2222A	TR CHIP	PMBT2222A TR NPN SOT23		R182	HRFS103JBA	R CHIP	1/16 10K OHM 5% 1608	
Q132	T B C 8 5 7	TR CHIP	BC857 LOW NOISE TR PNP		R183	HRFS103JBA	R CHIP	1/16 10K OHM 5% 1608	
Q142	T B C 8 5 7	TR CHIP	BC857 LOW NOISE TR PNP		R184	HRFS560JBA	R CHIP	1/16 56R OHM 5% 1608	
Q143	T B C 8 5 7	TR CHIP	BC857 LOW NOISE TR PNP		R185	HRFS330JBA	R CHIP	1/16 33 OHM 5% 1608	
Q145	T B C 8 5 7	TR CHIP	BC857 LOW NOISE TR PNP		R186	HRFS330JBA	R CHIP	1/16 33 OHM 5% 1608	
R108	HRFS330JBA	R CHIP	1/16 33 OHM 5% 1608		R187	HRFS330JBA	R CHIP	1/16 33 OHM 5% 1608	
R111	HRFS000-BA	R CHIP	1/16 0 OHM 1608		R188	HRFS330JBA	R CHIP	1/16 33 OHM 5% 1608	
R119	HRFS101JBA	R CHIP	1/16 100R OHM 5% 1608		R189	HRFS330JBA	R CHIP	1/16 33 OHM 5% 1608	
R120	HRFS330JBA	R CHIP	1/16 33 OHM 5% 1608		R190	HRFS330JBA	R CHIP	1/16 33 OHM 5% 1608	
R121	HRFS330JBA	R CHIP	1/16 33 OHM 5% 1608		R191	HRFS330JBA	R CHIP	1/16 33 OHM 5% 1608	
R122	HRFS330JBA	R CHIP	1/16 33 OHM 5% 1608		R192	HRFS103JBA	R CHIP	1/16 10K OHM 5% 1608	
R123	HRFS472JBA	R CHIP	1/16 4.7K OHM 5% 1608		R193	HRFS560JBA	R CHIP	1/16 56R OHM 5% 1608	
R124	HRFS472JBA	R CHIP	1/16 4.7K OHM 5% 1608		R194	HRFS104JBA	R CHIP	1/16 100K OHM 5% 1608	
R127	HRFS223JBA	R CHIP	1/16 22K OHM 5% 1608		R198	HRFS103JBA	R CHIP	1/16 10K OHM 5% 1608	
R128	HRFS223JBA	R CHIP	1/16 22K OHM 5% 1608		R199	HRFS103JBA	R CHIP	1/16 10K OHM 5% 1608	
R133	HRFS103JBA	R CHIP	1/16 10K OHM 5% 1608		R200	HRFS103JBA	R CHIP	1/16 10K OHM 5% 1608	
R134	HRFS103JBA	R CHIP	1/16 10K OHM 5% 1608		R201	HRFS103JBA	R CHIP	1/16 10K OHM 5% 1608	
R135	HRFS750JBA	R CHIP	1/16 75 OHM 5% 1608		R205	HRFS821JBA	R CHIP	1/16 820R OHM 5% 1608	
R137	HRFS105JBA	R CHIP	1/16 1M OHM 5% 1608		R206	HRFS221JBA	R CHIP	1/16 220R OHM 5% 1608	
R138	HRFS101JBA	R CHIP	1/16 100R OHM 5% 1608		R207	HRFS222JBA	R CHIP	1/16 2.2K OHM 5% 1608	
R139	HRFS101JBA	R CHIP	1/16 100R OHM 5% 1608		R208	HRFS120JBA	R CHIP	1/16 12 OHM 5% 1608	
R141	HRFS102JBA	R CHIP	1/16 1K OHM 5% 1608		R209	HRFS759JBA	R CHIP	1/16 7.5 OHM J 1608	
R142	HRFS102JBA	R CHIP	1/16 1K OHM 5% 1608		R210	HRFS750JBA	R CHIP	1/16 75 OHM 5% 1608	
R143	HRFS101JBA	R CHIP	1/16 100R OHM 5% 1608		R211	HRFS821JBA	R CHIP	1/16 820R OHM 5% 1608	
R144	HRFS472JBA	R CHIP	1/16 4.7K OHM 5% 1608		R212	HRFS221JBA	R CHIP	1/16 220R OHM 5% 1608	
R145	HRFS472JBA	R CHIP	1/16 4.7K OHM 5% 1608		R213	HRFS222JBA	R CHIP	1/16 2.2K OHM 5% 1608	
R146	HRFS470JBA	R CHIP	1/16 47R OHM 5% 1608		R214	HRFS120JBA	R CHIP	1/16 12 OHM 5% 1608	
R147	HRFS472JBA	R CHIP	1/16 4.7K OHM 5% 1608		R215	HRFS759JBA	R CHIP	1/16 7.5 OHM J 1608	
R148	HRFS472JBA	R CHIP	1/16 4.7K OHM 5% 1608		R216	HRFS750JBA	R CHIP	1/16 75 OHM 5% 1608	
R149	HRFS101JBA	R CHIP	1/16 100R OHM 5% 1608		R217	HRFS821JBA	R CHIP	1/16 820R OHM 5% 1608	
R150	HRFS101JBA	R CHIP	1/16 100R OHM 5% 1608		R218	HRFS221JBA	R CHIP	1/16 220R OHM 5% 1608	
R151	HRFS472JBA	R CHIP	1/16 4.7K OHM 5% 1608		R219	HRFS222JBA	R CHIP	1/16 2.2K OHM 5% 1608	
R152	HRFS472JBA	R CHIP	1/16 4.7K OHM 5% 1608		R220	HRFS120JBA	R CHIP	1/16 12 OHM 5% 1608	
R154	HRFS000-BA	R CHIP	1/16 0 OHM 1608		R221	HRFS759JBA	R CHIP	1/16 7.5 OHM J 1608	
R155	HRFS000-BA	R CHIP	1/16 0 OHM 1608		R222	HRFS750JBA	R CHIP	1/16 75 OHM 5% 1608	
R156	HRFS101JBA	R CHIP	1/16 100R OHM 5% 1608		R223	HRFS821JBA	R CHIP	1/16 820R OHM 5% 1608	

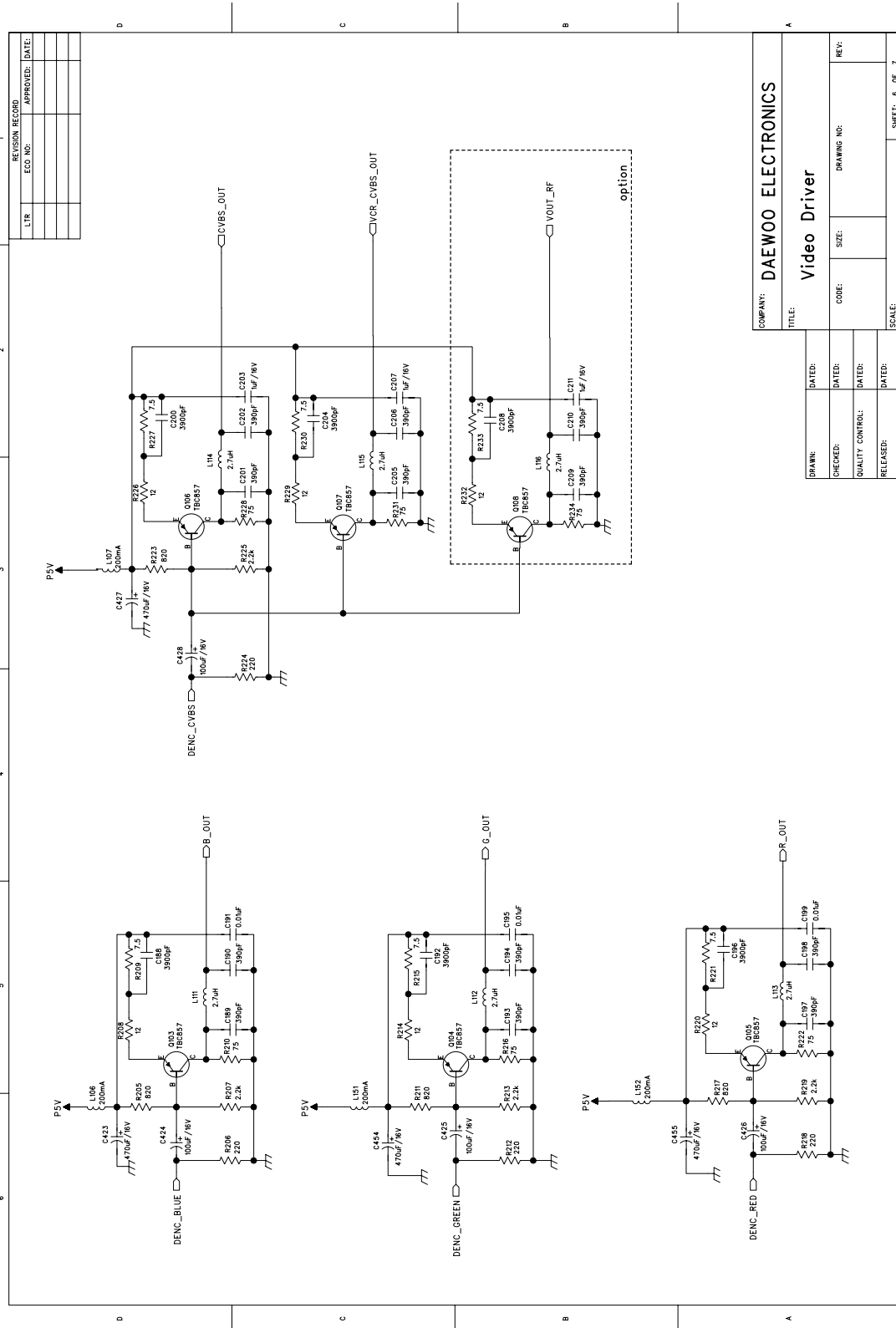
BOM LIST

LOC	PART CODE	PART NAME	PART DESC	REMARK	LOC	PART CODE	PART NAME	PART DESC	REMARK
R224	HRFS221JBA	R CHIP	1/16 220R OHM 5% 1608		R294	HRFS103JBA	R CHIP	1/16 10K OHM 5% 1608	
R225	HRFS222JBA	R CHIP	1/16 2.2K OHM 5% 1608		R296	HRFS103JBA	R CHIP	1/16 10K OHM 5% 1608	
R226	HRFS120JBA	R CHIP	1/16 12 OHM 5% 1608		R333	HRFS103JBA	R CHIP	1/16 10K OHM 5% 1608	
R227	HRFS759JBA	R CHIP	1/16 7.5 OHM J 1608		R410	HRFS104JBA	R CHIP	1/16 100K OHM 5% 1608	
R228	HRFS750JBA	R CHIP	1/16 75 OHM 5% 1608		R412	HRFS100JBA	R CHIP	1/16 10R OHM 5% 1608	
R229	HRFS120JBA	R CHIP	1/16 12 OHM 5% 1608		R413	HRFS104JBA	R CHIP	1/16 100K OHM 5% 1608	
R230	HRFS759JBA	R CHIP	1/16 7.5 OHM J 1608		R416	HRFS104JBA	R CHIP	1/16 100K OHM 5% 1608	
R231	HRFS750JBA	R CHIP	1/16 75 OHM 5% 1608		R417	HRFS104JBA	R CHIP	1/16 100K OHM 5% 1608	
R235	HRFS222JBA	R CHIP	1/16 2.2K OHM 5% 1608		R805	HRFS563JBA	R CHIP	1/16 56K OHM 5% 1608	
R239	HRFS102JBA	R CHIP	1/16 1K OHM 5% 1608		R806	HRFS102JBA	R CHIP	1/16 1K OHM 5% 1608	
R243	HRFS103JBA	R CHIP	1/16 10K OHM 5% 1608		R906	HRFS331JBA	R CHIP	1/16 330R OHM 5% 1608	
R244	HRFS104JBA	R CHIP	1/16 100K OHM 5% 1608		R907	HRFS331JBA	R CHIP	1/16 330R OHM 5% 1608	
R245	HRFS104JBA	R CHIP	1/16 100K OHM 5% 1608		R908	HRFS123JBA	R CHIP	1/16 12K OHM 5% 1608	
R246	HRFS104JBA	R CHIP	1/16 100K OHM 5% 1608		R909	HRFS331JBA	R CHIP	1/16 330R OHM 5% 1608	
R247	HRFS104JBA	R CHIP	1/16 100K OHM 5% 1608		RA05	HRTS8E470J	R CHIP ARRAY	1/16 8P 47 OHM 5% 3216	
R248	HRFS104JBA	R CHIP	1/16 100K OHM 5% 1608		RA06	HRTS8E470J	R CHIP ARRAY	1/16 8P 47 OHM 5% 3216	
R249	HRFS104JBA	R CHIP	1/16 100K OHM 5% 1608		U100	97P65500MA	PCB MAIN	219X164 G2V	
R250	HRFS104JBA	R CHIP	1/16 100K OHM 5% 1608		X001	HXJ27R000F	SMD XTAL QUARTZ	27MHZ 30PPM HC49/4H SMX 30PF	
R251	HRFS104JBA	R CHIP	1/16 100K OHM 5% 1608		X002	HXJ20R480C	SMD XTAL QUARTZ	20M48 20PPM HC49/4H SMX 30PF	
R252	HRFS102JBA	R CHIP	1/16 1K OHM 5% 1608		Z0013	PSMPJRP571	PCB MAIN RADIAL AS	DSD-9420 EU	
R253	HRFS102JBA	R CHIP	1/16 1K OHM 5% 1608		C313	CEXF1C101V	C ELECTRO	16V RSS 100MF (6.3X11) TP	
R254	HRFS102JBA	R CHIP	1/16 1K OHM 5% 1608		C314	CEXF1C471V	C ELECTRO	RSS 16V 470MF 10X12.5	
R255	HRFS102JBA	R CHIP	1/16 1K OHM 5% 1608		C315	CEXF1H100V	C ELECTRO	50V RSS 10MF (5X11) TP	
R256	HRFS102JBA	R CHIP	1/16 1K OHM 5% 1608		C318	CEXF1H100V	C ELECTRO	50V RSS 10MF (5X11) TP	
R257	HRFS102JBA	R CHIP	1/16 1K OHM 5% 1608		C319	CEXF1H100V	C ELECTRO	50V RSS 10MF (5X11) TP	
R258	HRFS472JBA	R CHIP	1/16 4.7K OHM 5% 1608		C321	CEXF1H100V	C ELECTRO	50V RSS 10MF (5X11) TP	
R260	HRFS103JBA	R CHIP	1/16 10K OHM 5% 1608		C344	CEXF1H100V	C ELECTRO	50V RSS 10MF (5X11) TP	
R261	HRFS472JBA	R CHIP	1/16 4.7K OHM 5% 1608		C345	CEXF1H100V	C ELECTRO	50V RSS 10MF (5X11) TP	
R262	HRFS472JBA	R CHIP	1/16 4.7K OHM 5% 1608		C406	CEXF1C101V	C ELECTRO	16V RSS 100MF (6.3X11) TP	
R263	HRFS472JBA	R CHIP	1/16 4.7K OHM 5% 1608		C409	CEXF1H100V	C ELECTRO	50V RSS 10MF (5X11) TP	
R264	HRFS103JBA	R CHIP	1/16 10K OHM 5% 1608		C416	CEXF1C471V	C ELECTRO	RSS 16V 470MF 10X12.5	
R265	HRFS104JBA	R CHIP	1/16 100K OHM 5% 1608		C423	CEXF1C471V	C ELECTRO	RSS 16V 470MF 10X12.5	
R266	HRFS222JBA	R CHIP	1/16 2.2K OHM 5% 1608		C424	CEXF1C101V	C ELECTRO	16V RSS 100MF (6.3X11) TP	
R267	HRFS103JBA	R CHIP	1/16 10K OHM 5% 1608		C425	CEXF1C101V	C ELECTRO	16V RSS 100MF (6.3X11) TP	
R268	HRFS472JBA	R CHIP	1/16 4.7K OHM 5% 1608		C426	CEXF1C101V	C ELECTRO	16V RSS 100MF (6.3X11) TP	
R271	HRFT102JCA	R CHIP	1/10 1K OHM 5% 2012		C427	CEXF1C471V	C ELECTRO	RSS 16V 470MF 10X12.5	
R272	HRFS103JBA	R CHIP	1/16 10K OHM 5% 1608		C428	CEXF1C101V	C ELECTRO	16V RSS 100MF (6.3X11) TP	
R273	HRFS822JBA	R CHIP	1/16 8.2K OHM 5% 1608		C435	CEXF1C471V	C ELECTRO	RSS 16V 470MF 10X12.5	
R274	HRFS103JBA	R CHIP	1/16 10K OHM 5% 1608		C454	CEXF1C471V	C ELECTRO	RSS 16V 470MF 10X12.5	
R275	HRFS103JBA	R CHIP	1/16 10K OHM 5% 1608		C455	CEXF1C471V	C ELECTRO	RSS 16V 470MF 10X12.5	
R276	HRFS330JBA	R CHIP	1/16 33 OHM 5% 1608		C809	CEXF1C471V	C ELECTRO	RSS 16V 470MF 10X12.5	
R277	HRFS103JBA	R CHIP	1/16 10K OHM 5% 1608		C811	CEXF1H470V	C ELECTRO	50V RSS 47MF (6.3X11) TP	
R278	HRFS103JBA	R CHIP	1/16 10K OHM 5% 1608		L126	5CPX220J2T	COIL PEAKING	ELO305RA 22UH J RADIAL	
R279	HRFS103JBA	R CHIP	1/16 10K OHM 5% 1608		L410	5CPX220J2T	COIL PEAKING	ELO305RA 22UH J RADIAL	
R291	HRFS103JBA	R CHIP	1/16 10K OHM 5% 1608		L803	5CPX220J2T	COIL PEAKING	ELO305RA 22UH J RADIAL	
R292	HRFS103JBA	R CHIP	1/16 10K OHM 5% 1608		LD905	DBL-B2141-	LED	BL-B2141 GREEN 5MM RADIAL	
R293	HRFS222JBA	R CHIP	1/16 2.2K OHM 5% 1608						

SCHEMATIC DIAGRAM



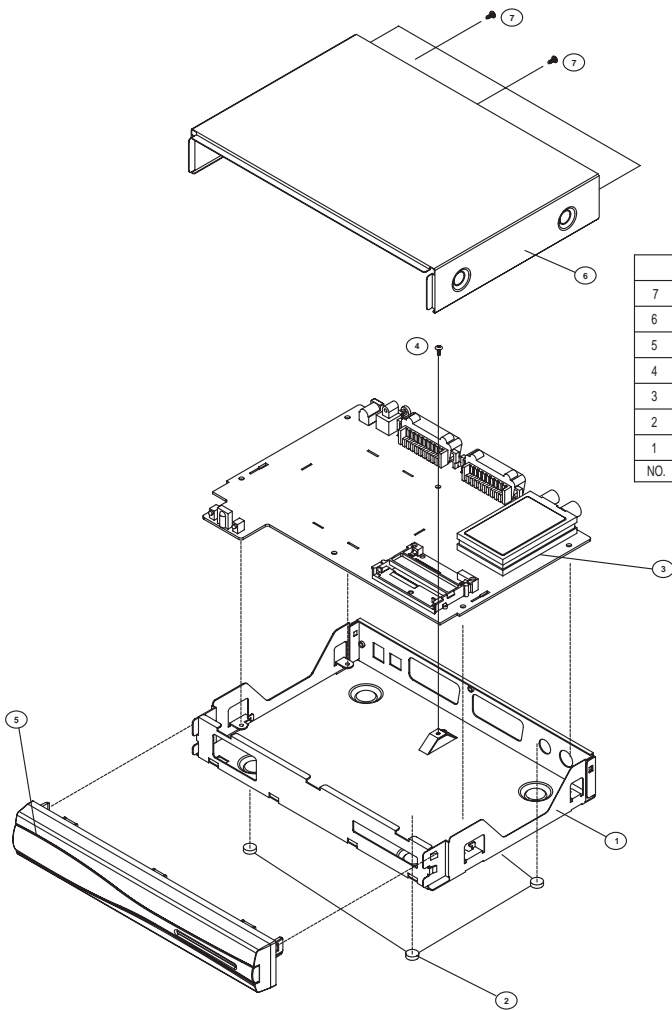
SCHEMATIC DIAGRAM



REVISION RECORD	
LTR	ECO NO.
APPROVED:	DATE:

COMPANY: DAEWOO ELECTRONICS	
TITLE: Video Driver	
DRAWN:	DATED:
CHECKED:	DATED:
QUALITY CONTROL:	DATED:
RELEASED:	DATED:
CODE:	SIZE:
DRAWING NO.:	REV.:
SCALE:	
SHEET: 6 OF 7	

EXPLODED VIEW



NO.	PART NAME	PART NO.	QTY	MATERIAL	REMARK
7	SCREW TAPPTITE	7273300812	3	TT2 RND 3X8 MFZN BK	T/COVER FIX
6	COVER TOP	97P0488500	1	SECC T0.5+PCM	
5	PANEL FRONT AS	97PP349500	1	DSD-9430	
4	SCREW TAPPTITE	7174300811	1	TT2 RND 3X8 MFZN	PCB MAIN FIX
3	PCB MAIN MANUAL AS	-	1	-	
2	CUSHION LEG	97P4220000	4	EVA T4.0	
1	COVER BOTTOM	97P0488600	1	SECC T=0.8	



DAEWOO ELECTRONICS CORP.

686, AHYEON-DONG, MAPO-GU,
SEOUL, KOREA.

C.P.O. BOX 8003 SEOUL KOREA

PRINTED DATE: March. 2006