

**DAEWOO**

# Service Manual

Refrigerator

**MODEL : FF-130**

✓ **Caution :**

In this Manual, some parts can be changed for improving, their performance without notice in the parts list. So, if you need the latest parts information, please refer to PPL(Parts Price List) in Service Information Center (<http://svc.dwe.co.kr>).

**DAEWOO ELECTRONICS Corp.**

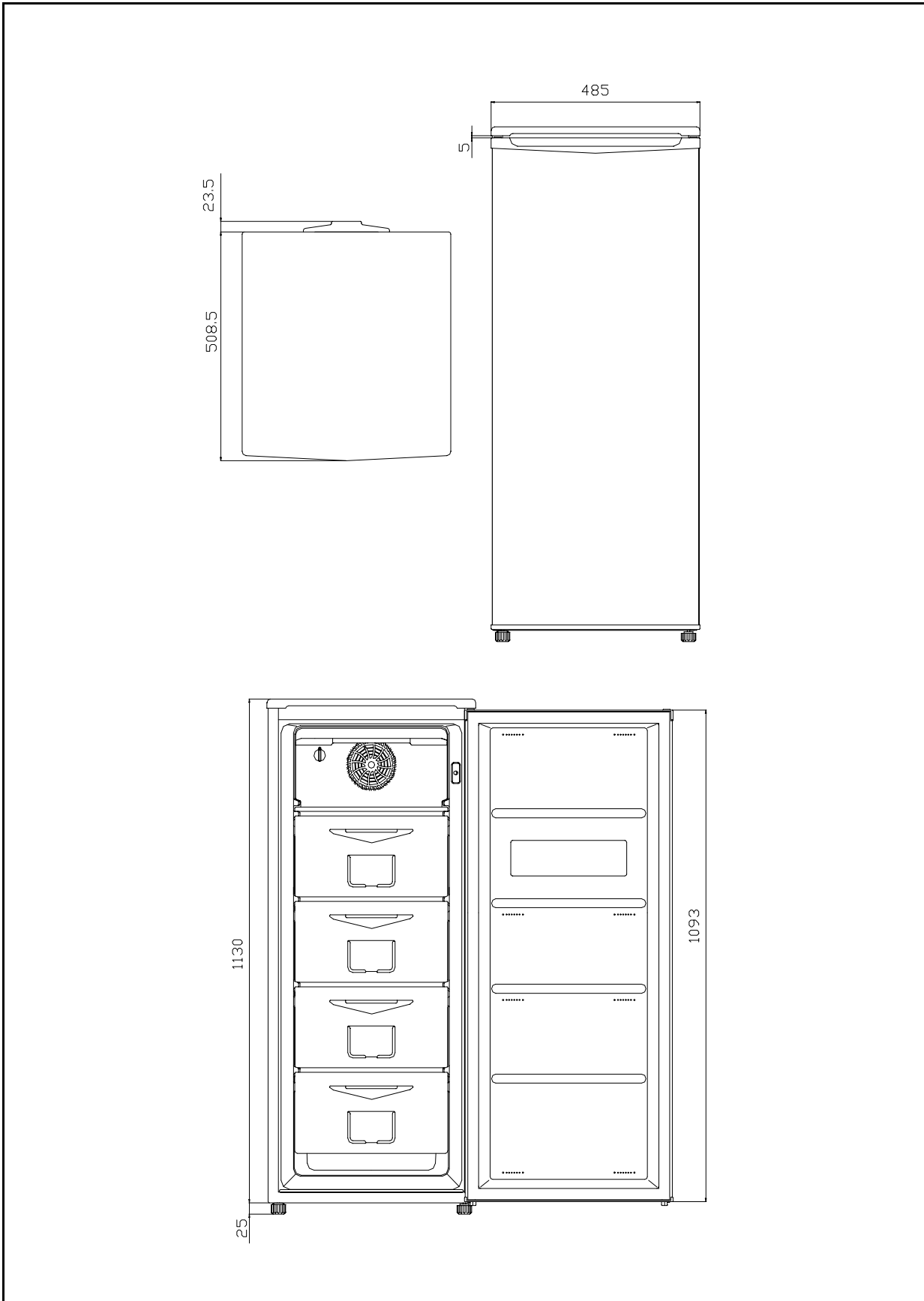
<http://svc.dwe.co.kr>

Oct. 2004

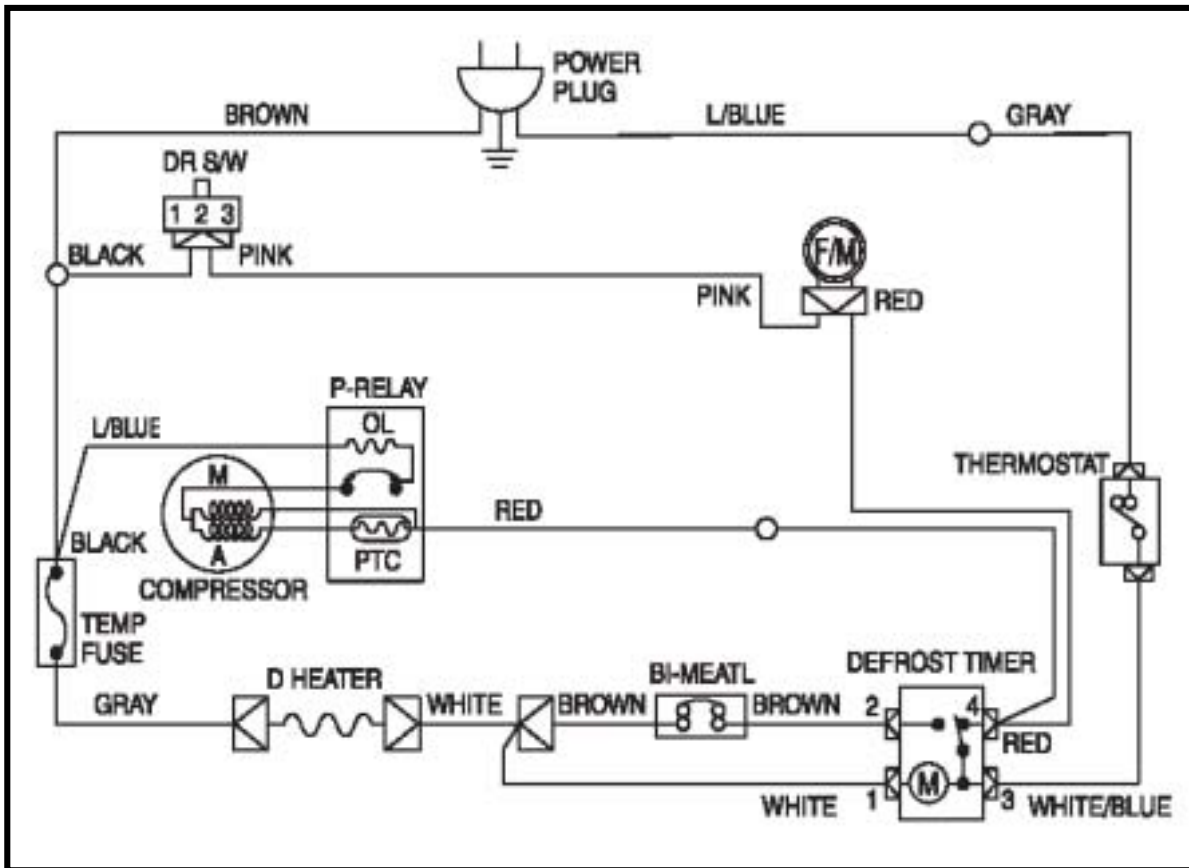
# CONTENTS

1. Specification -----	1
2. External view -----	2
3. Wire diagram -----	3
4. Name of parts -----	4
5. Air flow diagram -----	5
6. Refrigerant cycle diagram -----	6
7. Machine room view and part list -----	7
8. Main components -----	8
9. Exploded view and parts -----	9

## 2. EXTERNAL VIEWS

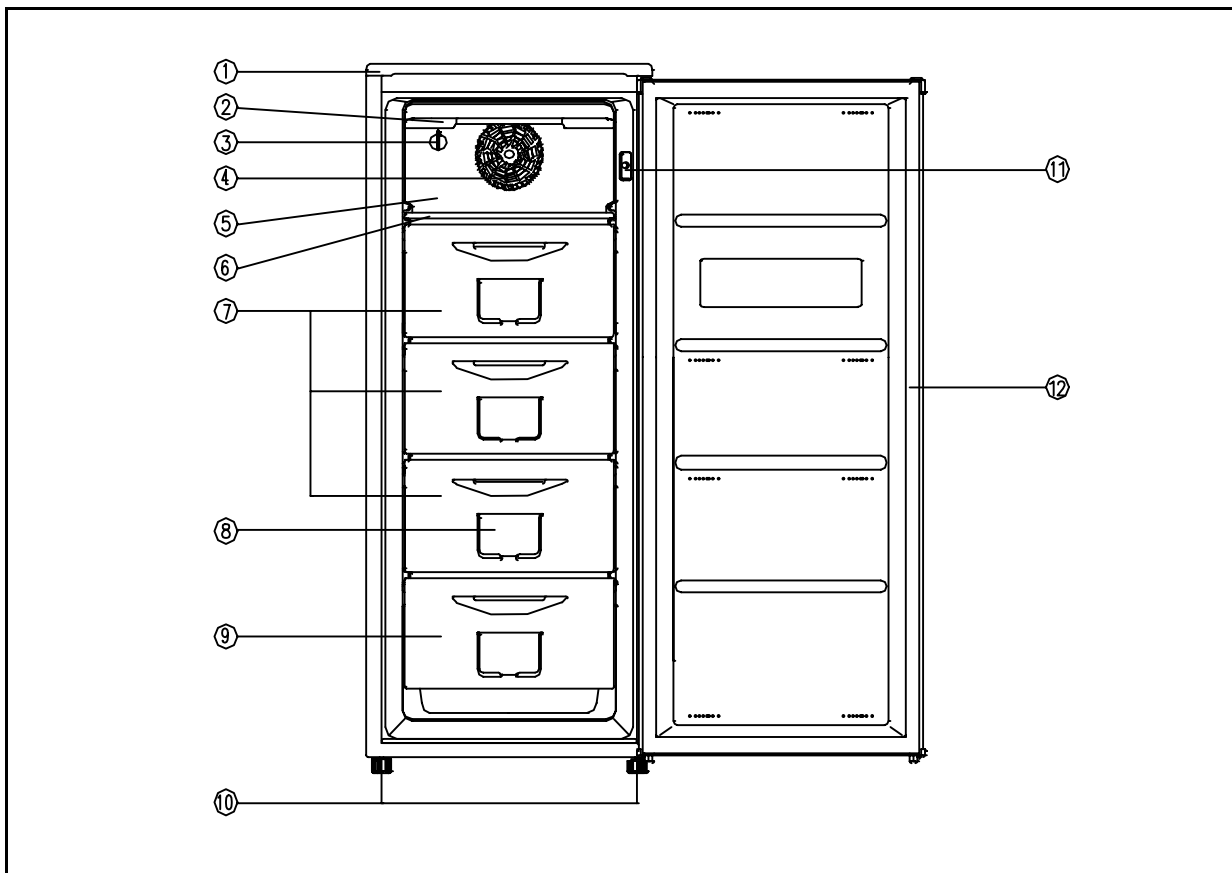


### 3. WIRE DIAGRAM



## 4. NAME OF PARTS

---



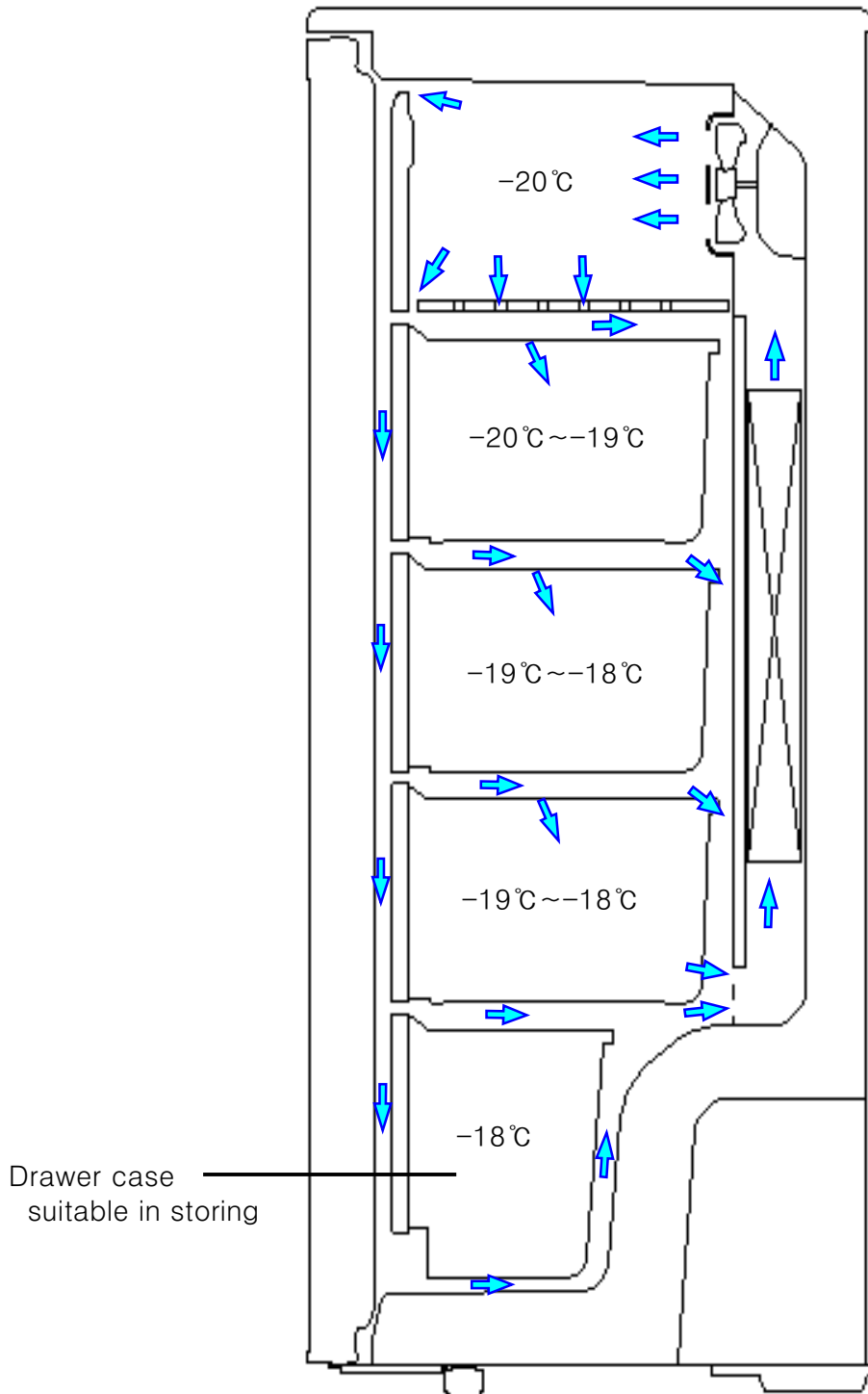
- 1 Table Panel
- 2 Quick Freezing Door
- 3 Control Knob
- 4 Fan
- 5 Louver
- 6 Quick Freezing Shelf
- 7 Drawer Case A
- 8 Menu Label
- 9 Drawer Case B
- 10 Adjust Foot
- 11 Door Switch
- 12 Gasket

## 5. AIR FLOW DIAGRAM

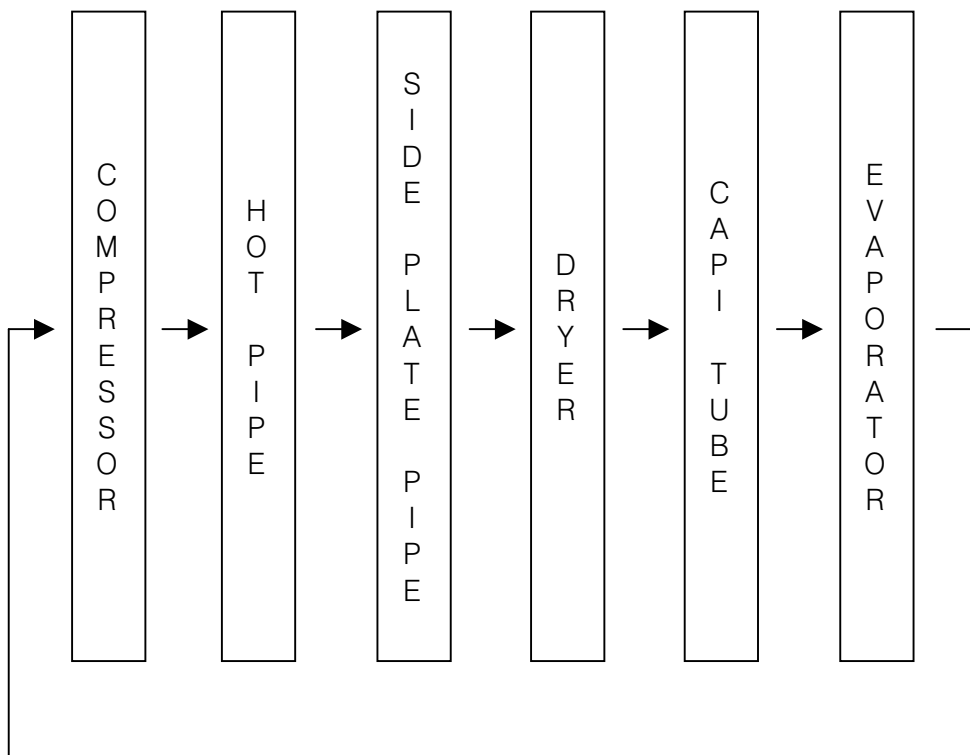
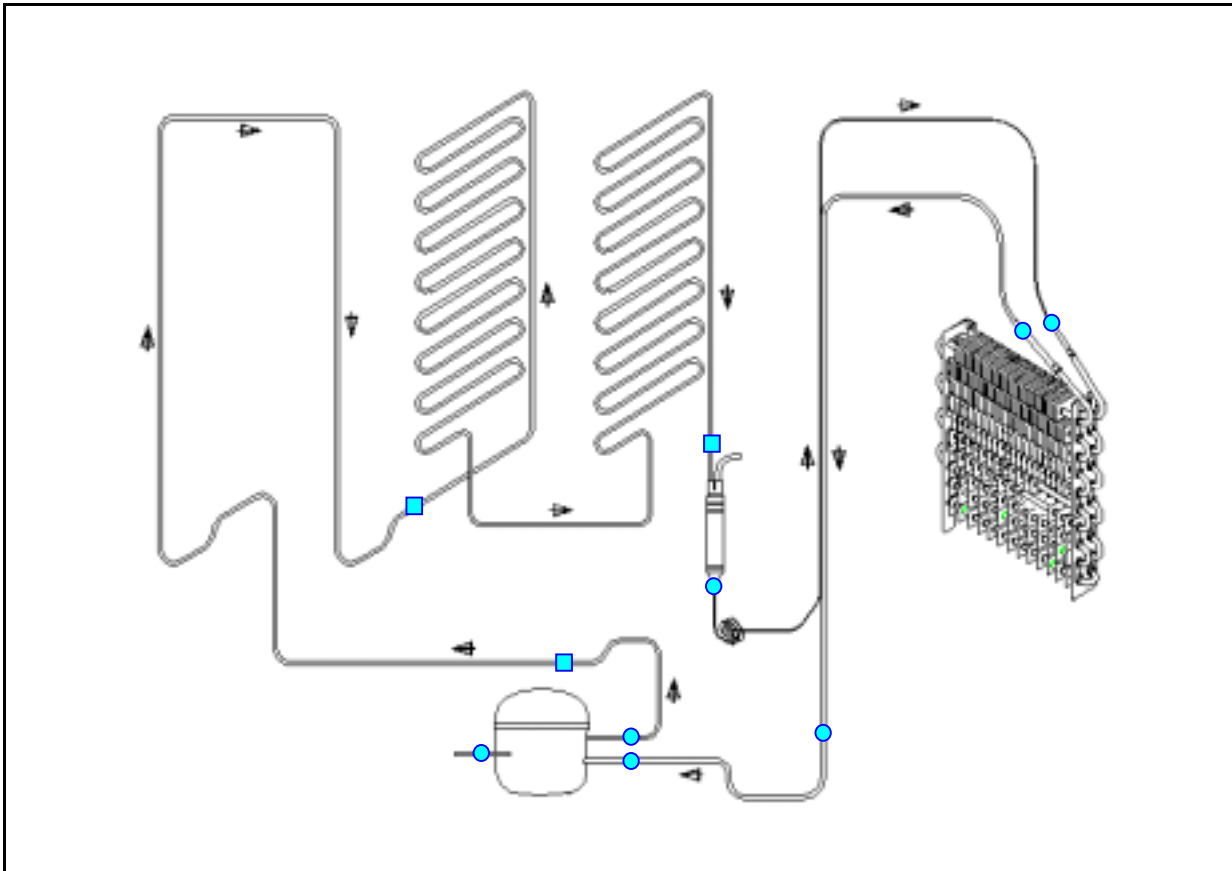
---

Freezer room

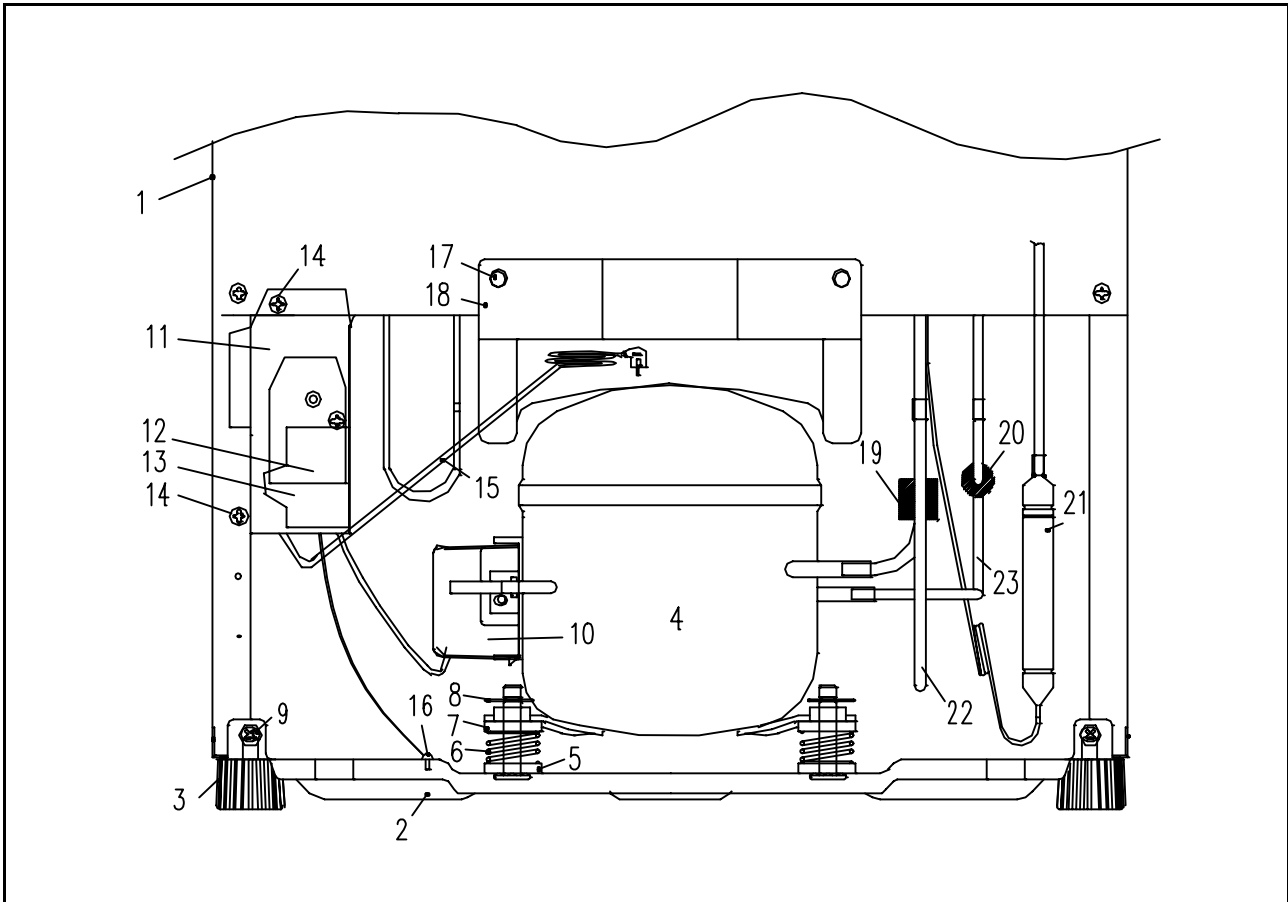
Do not put it any bottle such as beer or beverage because it can be frozen and broken



## 6. REFRIGERANT CYCLE DIAGRAM



## 7. MACHINE ROOM VIEW AND PART LIST



NO	PART NAME	NO	PART NAME	NO	PART NAME
1	CABINET AS	9	HOLT HEX	17	FIXTURE VAPORI
2	BASE COMP AS	10	SWITCH P-REALY AS	18	CASE VAPORI
3	FOOT ADJUST	11	BOX POWER	19	VIBRATION MASS B
4	COMPRESSOR	12	TIMER	20	VIBRATION MASS A
5	ABSORBER COMP RUB B	13	CAPACITOR RUNNING	21	DRYER AS
6	ABSORBER COMP SPG	14	SCREW TAPPING	22	PIPE CONN SUC
7	ABSORBER COMP RUB A	15	CORD POWER	23	PIPE CONN DEL
8	WASHER COMP *T	16	SCREW MACHINE	24	



## 8. MAIN COMPONENTS

### 1. COMPRESSOR

Refrigerant	R-12					
Voltage	110V/50,60Hz	110V/60Hz	220V/50Hz	220V/60Hz	230V/50Hz	240V/50Hz
Comp. mode	X	X	X	PL21YE-4	X	X
Part code	X	X	X	3956121A40	X	X
Starting type	X	X	X	RSCR	X	X
Refrigerant	X	X	X	115g	X	X

Refrigerant	R-134a					
Voltage	110V/50,60Hz	110V/60Hz	220V/50Hz	220V/60Hz	230V/50Hz	240V/50Hz
Comp. mode	C-BF140LOZ	X	HSL23YE-5	X	X	HSL23YE-5
Part code	3953140620	X	3954123G50	X	X	3954123G50
Starting Type	RSCR	X	RSIR	X	X	RSIR
Refrigerant	105g	X	105g	X	X	105g

### 2. SWITCH P-RELAY ASSEMBLY

Refrigerant	R-12					
Voltage	110V/50,60Hz	110V/60Hz	220V/50Hz	220V/60Hz	230V/50Hz	240V/50Hz
Relay model	X	X	X	197SHBYY	X	X
Part code	X	X	X	3018123012	X	X

Refrigerant	R-134a					
Voltage	110V/50,60Hz	110V/60Hz	220V/50Hz	220V/60Hz	230V/50Hz	240V/50Hz
Relay model	319RHBYY-53	X	276THBYY	X	X	276THBYY
Part code	3018123091	X	3018122290	X	X	3018122290

### 3. RUNNING CAPACITOR

Refrigerant	R-12					
Voltage	110V/50,60Hz	110V/60Hz	220V/50Hz	220V/60Hz	230V/50Hz	240V/50Hz
Spec.	X	X	X	350VAC/5 $\mu$ F	X	X
Part code	X	X	X	3016403710	X	X

Refrigerant	R-134a					
Voltage	110V/50,60Hz	110V/60Hz	220V/50Hz	220V/60Hz	230V/50Hz	240V/50Hz
Spec.	180VAC/20 $\mu$ F	X	-	X	X	-
Part code	3016404200	X	-	X	X	-

#### 4. F-FAN MOTOR

Refrigerant	R-12,R134a					
Voltage	110V/50,60Hz	110V/60Hz	220V/50Hz	220V/60Hz	230V/50Hz	240V/50Hz
Spec.	S23211DW18AF	X	IS3211DREG	IS3211DREF	X	IS3211DREH
Part code	3015902420	X	3015903802	3015902112	X	3015903812

#### 5. DEFROST HEATER

Refrigerant	R-12,R134a					
Voltage	110V/50,60Hz	110V/60Hz	220V/50Hz	220V/60Hz	230V/50Hz	240V/50Hz
Spec.	110V/130W	X	220V/130W	220V/130W	X	220V/130W
Part code	3012810401	X	3012810411	3012810411	X	3012810411

#### 6. DEFROST TIMER

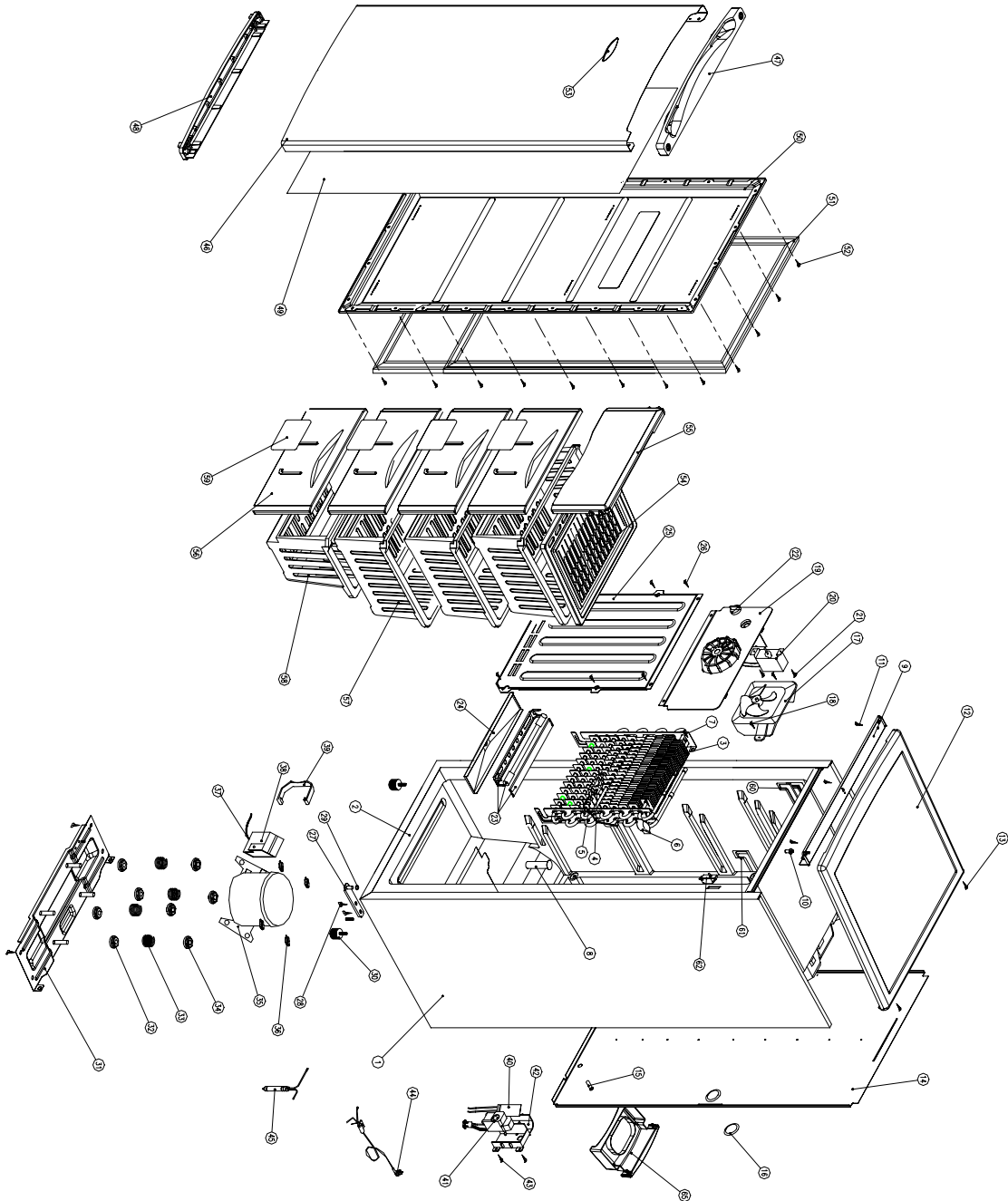
Refrigerant	R-12,R134a					
Voltage	110V/50,60Hz	110V/60Hz	220V/50Hz	220V/60Hz	230V/50Hz	240V/50Hz
Spec.	TMDEY11UA1	X	TMDEX09UM1	TMDEX09UM1	X	TMDEX09UM1
Part code	3018107900	X	3018100310	3018100310	X	3018100310

#### 7. DRYER

Refrigerant	R12	R134a
Spec.	10g	10g
Part code	3016801432	3016801432

# 9. EXPLODED VIEW AND PARTS LIST

## 1. EXPLODED VIEW



## 2. Parts List

NO	PART CODE	PART NAME	DESSCRIPTION	Q'TY	REMARK
1		CABINET AS		1	
2	3017472000	LINER	ABS	1	
3	3017048110	EVAPORATOR SAS		1	
4	4017Z90590	FIXTURE TEMP FUSE	PP	1	
5	3017200810	FUSE TEMP AS	77°C 10A	1	
6	3018100604	SWITCH BI-METAL AS	308M-01	1	
7	7112401211	SCREW TAPPING	T1 TRS 4X12 MFZN	2	
8	3014412500	PIPE DRAIN	AL	1	
9	3010609600	BRACKET T/P	CR R1.0 + PAINT	1	
10	3014901600	SHAFT T/P BRACKET	SWCH-12C	1	
11	7112401011	SCREW TAPPING	T1 TRS 4X10 MFZN	3	
12	3014203403	PANEL TABLE	PP	1	
13	7112401211	SCREW TAPPING	T1 TRS 4X12 MFZN	2	
14	3011463700	COVER CABINET	GI T0.35	1	
15	4018R30323	FIXTURE BOILD	PE-HD	2	
16	4009A32010	CAP URT HL BG	PE-HD	2	
17	3015902420	MOTOR AS	IS23211DW18AR	1	100V/50,60Hz
	3015903802		IS3211DREG	1	220V/50Hz
	3015902112		IS3211DREF	1	220V/60Hz
	3015903812		IS3211DREH	1	240V/50Hz
18	7112401611	SCREW TAPPING	T1 TRS 4X16 MFZN	2	
19	3018903101	LOUVER	HIPS	1	
20	3018300910	THERMOSTAT	B-359-7	1	COMBI(JAPAN)
	3018302820		B-402	1	ONLY FREEZING
	3018302800		B-401	1	COMBI
21	7112400811	SCREW TAPPING	T1 TRS 4X8 MFZN	2	
22	4017G31041	KNOB C/S	ABS	1	
23	3012810411	HEATER D AS	220V/130W	1	200V SERIES
	3012810401		110V/130W	1	100V SERIES
24	3012503400	GUIDE DRAIN	AL T0.3	1	
25	3011464401	COVER EVA AS		1	
26	7112401211	SCREW TAPPING	T1 TRS 4X12 MFZN	6	
27	3012902500	HINGE *U	SPHC-H T2.3	1	
28	3016000301	SPECIAL SCREW	M5X14 ZN5	2	
29	3016000100	SPECIAL WASHER	STS SUS 304 T0.5	1	
30	4006D32533	FOOT *F	PP	2	
31	3010311921	BASE COMP AS	SGCC T1.0	1	ONLY JAPAN
	3010311930		SGCC T1.0	1	
32	3010101420	ABSORBER COMP RUB B	NR	4	
33	3010101430	ABSORBER COMP SPRING	SWP-B	4	
34	3010101400	ABSORBER COMP RUB A	NR	4	
35	3953140620	COMPRESSOR	C-BF140LOZ	1	100V/50,60Hz
	3954123G50		HSL23YE-5	1	220,240V/50Hz
	3956121A40		PL21YE-4	1	220V/60Hz
36	4019H09030	SPECIAL WASHER	SWRH	4	

NO	PART CODE	PART NAME	DESSCRIPTION	Q'TY	REMARK
37	3018123091	SWITCH P-RELAY AS	319RHBYY-53	1	100V/50,60Hz
	3018122290		276THBYY-52	1	220,240V/50Hz
	3018123012		197SHBYY-52	1	220V/60Hz
38	3811400503	COVER RELAY	PP	1	
39	3816100110	RELAY BAND	SUS 304 T0.7	1	
40	3016404200	CAPACITOR	180VAC/20 $\mu$ F	1	100V/50,60Hz
	3016403710		350VAC/5 $\mu$ F	1	220V/60Hz
41	3018107900	SWITCH D TIMER	TMDEY11UA1	1	100V/50,60Hz
	3018100310		TMDEX09UM1	1	200V SERIES
42	3010536201	BOX POWER	GI T0.6	1	
43	7112401211	SCREW TAPPING	T1 TRS 4X12 MFZN	2	
44	401PD17101	CORD POWER AS	KP-211	1	JAPAN
	3011304411		CP-2PIN	1	
45	3016801432	DRYER AS	10g	1	
46	3011745600	DOOR	PCM T0.5	1	
47	3010912201	CAP DR *T	ABS	1	
48	3010912301	CAP DR *U	ABS	1	
49	3011464501	COVER DR URT	KRAFT	1	
50	3017472110	LINER DR	ABS	1	
51	3012311600	GASKET	PVC-S	1	
52	7112401011	SCREW TAPPING	T1 TRS 4X10 MFZN	24	
53	3013524500	LABEL EMBLEM	URT FORM	1	
54	3017824600	SHELF Q/F	HIPS	1	
55	3011710300	DOOR Q/F	GPPS	1	
56	3011423400	COVER DRAWER	HIPS	4	
	3011423410		GPPS	4	
57	3011105700	CASE DRAWER A	PP	3	
58	3011105900	CASE DRAWER B	PP	1	
59	3013524600	LABEL MANU	PVC	4	
60	3012503300	GUIDE Q/F DR *L	PP	1	
61	3012503310	GUIDE Q/F DR *R	PP	1	
62	3018107701	SWITCH DR	2PIN	1	