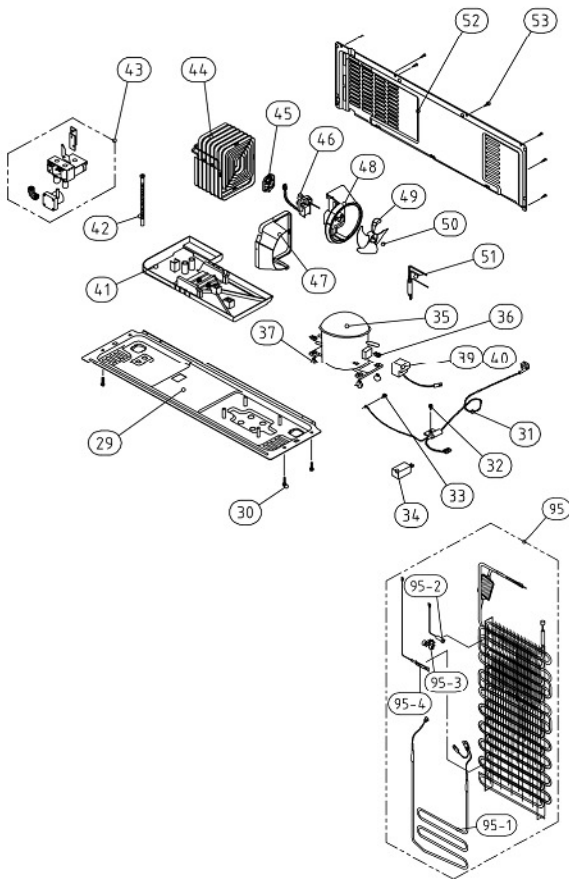


NO	PART-CODE	PART NAME	SPEC.	Q'ty			
				201C	20BC	20DC	20FC
1		ASSY CAB URT		1	1	1	1
2		HINGE *T *R AS	PO T3.0+PAINT	1	1	1	1
3		HINGE *T *L AS	PO T3.0+PAINT	1	1	1	1
4		SPECIAL *T HI BOLT	6X13 SWCH18A	2	2	2	2
5		SCREW MACHINE	PAN 4X10 SW BSNI	1	1	1	1
6		COVER *T HI *R	PP	1	1	1	1
7		COVER *T HI *L	PP	1	1	1	1
8		SCREW TAPPING	T1 TRS 4X12 MFZN	2	2	2	2
9		CAP CAB COVER	PP	2	2	2	2
10		SCREW TAPPING	T1 TRS 4X12 MFZN	2	2	2	2
11		PCB MAIN AS	FRU-571I (R-134a)	1	x	x	x
			FRU-579B (R-134a)	x	1	x	x
			FRU-541F (R-134a)	x	x	1	1
			FRU-541F (R-600a)	x	x		
12		COVER MAIN PCB BOX	PP(V-235)	1	1	1	1
13		SCREW TAPPING	T1 TRS 4X12 MFZN	4	4	4	4
14		HOSE ICE MAKER TUBE AS	FRU-541D			1	1
15		GUIDE CAB W/TUBE A AS	FRU-541D			1	1
16		COVER GUIDE CAB W/T A	HIPS	x	x	1	1
17		CLAMP WATER TUBE A	PA-66, 5N			2	2
18		S/PAER FILTER WATER AS	FR-S660CW			1	1
19		HINGE *U *R AS	P/O T5.0 + PAINT	1	1	1	1
20		HINGE *U *L AS	P/O T5.0 + PAINT	1	1	1	1
21		SPECIAL BOLT *T	6X22 SWCH22A(YL)	6	6	6	6
22		BRACKET ADJ FOOT	SPCC T3.0	2	2	2	2
23		FOOT ADJ AS	PP	2	2	2	2
24		SPECIAL BOLT *T	6X22 SWCH22A(YL)	2	2	2	2
25		HOLDER TUBE A	ACETAL	1	1	1	1
27		COVER CAB BRKT	PP	1	1	1	1
28		SCREW TAPPING	T2 TRS 4X16 MFZN	3	3	3	3

- Some parts can be changed for improving their performance without notice.
 - Above parts number doesn't describe your own colour & printing. Please remind!

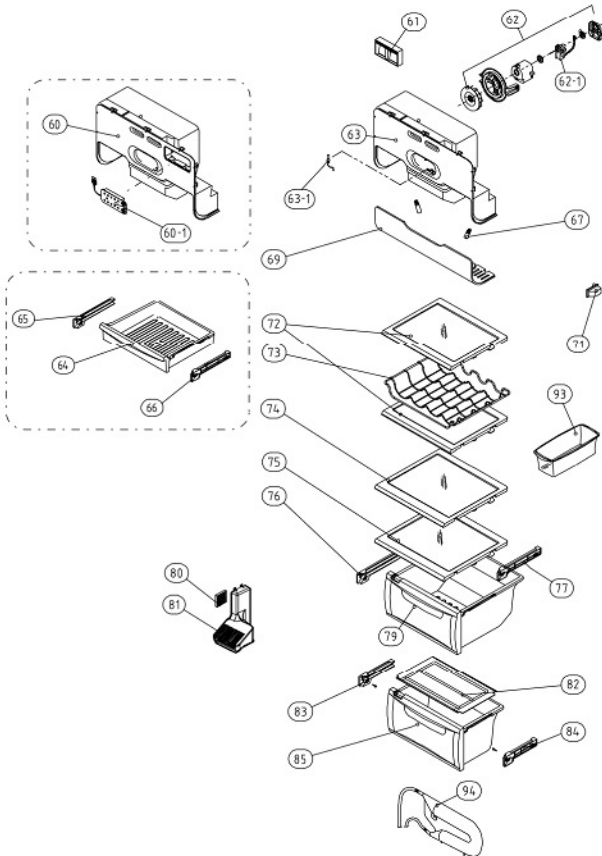
Date	Amendment Note



NO	PART-CODE	PART NAME	SPEC.	Q'ty			
				201C	20BC	20DC	20FC
29		BASE COMP AS	FRU-5711	1	1	1	1
30		SPEICAL BOLT	T2 M6.5X20	4	4	4	4
31		CORD POWER AS		1	1	1	1
32		SCREW TAPPING	T1 TRS 4X12 MFZN	1	1	1	1
33		SCREW MACHINE	PAN 4X10 SW BSNI	1	1	1	1
34		CAPACITOR RUN		1	1	1	1
35		COMPRESSOR		1	1	1	1
36		SPECIAL WASHER	SK-S, T0.8	3	3	3	3
37		ABSORBER COMP	NBR (R-134a)	4	4	4	4
		ABSORBER COMP AS	FRU-541D (R-600a)				
39		SWITCH P RELAY AS		1	1	1	1
40		COVER RELAY		1	1	1	1
41		CASE VAPORI AS	PP	1	1	1	1
42		HOSE DRN B	PE FRB-5350NT	1	1	1	1
43		VALVE WATER AS	110~127V 60Hz 220~240V 50,60HZ	x	x	1	1
44		PIPE WICON AS	TSW OD4.76XT0.7	1	1	1	1
45		FIXTURE MOTR	PP	1	1	1	1
46		MOTOR C FAN AS	DC-2213DWCA-3	1	1	1	1
47		M/BELL B	PP	1	1	1	1
48		M/BELL A	PP	1	1	1	1
49		FAN	ABS OD3.17XD150	1	1	1	1
50		CLAMP FAN	SUS 304	1	1	1	1
51		DRYER AS	C1220T	1	1	1	1
52		COVER MACH ROOM AS	SBHG T0.35	1	1	1	1
53		SCREW TAPPING	T1 TRS 4X12 MFZN	7	7	7	7
95		EVA AS	FRU-5711	1	1	1	1
95-1		HEATER SHEATH AS	AC220V/ 192W AC115V/ 192W	1	1	1	1
95-2		SENSOR D AS	PBN-43	1	1	1	1
95-3		FIXTURE D SENS	PP	1	1	1	1
95-4		FUSE TEMP AS	AC250V 10A 77C	1	1	1	1

- Some parts can be chaged for improving their performace without notice.
 - Above parts number doesn't describe your own colour & printing. Please remind!

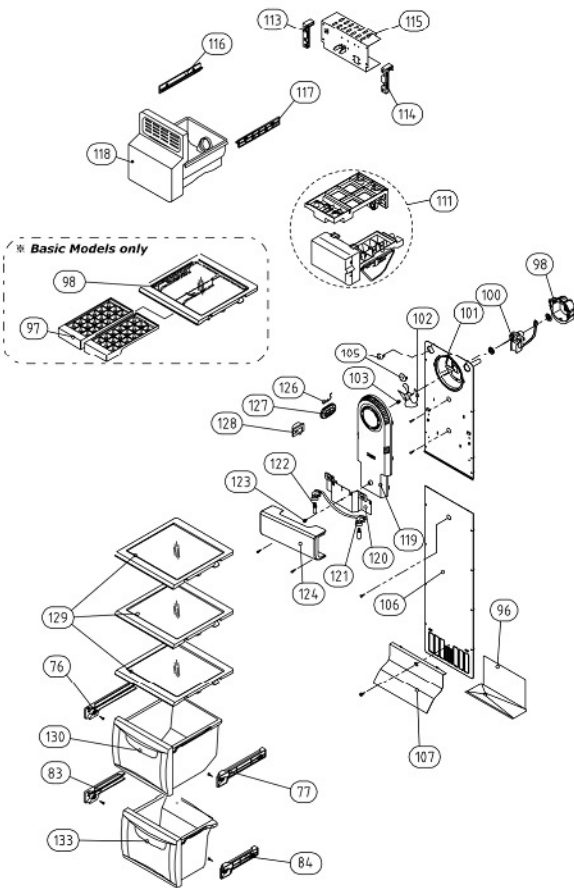
Date	A mendment Note



NO	PART-CODE	PART NAME	SPEC.	Q'ty			
				201C	20BC	20DC	20FC
60		COVER DAMP AS	FRU-5711	1			
60-1		PANEL CONTL *1 AS		1			x
61		FRAME CHECK VALVE AS	FRU-5711	1	1	1	1
62		FIXTURE MOTR AS		1	1	1	1
62-1		MOTOR R FAN	D4612AAA20	1	1	1	1
63		COVER DAMP AS	FRU-541D	x	1	1	1
63-1		SENSOR R AS	PBN-43B	1	1	1	1
64		CASE CHILD	GPPS(CRYSTAL)	1	1	1	1
65		GUIDE CASE A *L AS	ABS	1	1	1	1
66		GUIDE CASE A *R AS	ABS	1	1	1	1
67		LAMP F/R	AC 240V 25W(S) AC 125V 25W	2	2	2	2
69		WINDOW R LAMP	MIPS	1	1	1	1
71		SWITCH DR	SP201R-7DR (R-134a)	1	1	1	1
72		SWITCH DR	SPF101B-1D (R-600a)	1	1	1	1
72		SHELF INMOLDING R A AS	FRAME+PRINTED GLASS	2	2	2	2
73		SHELF WINE	GPPS	x	x		Option
74		SHELF INMOLDING R C AS	FRAME+PRINTED GLASS	1	1	1	1
75		SHELF INMOLDING R B AS	FRAME+PRINTED GLASS	1	1	1	1
76		GUIDE CASE A *L AS	ABS	1	1	1	1
77		GUIDE CASE A *R AS	ABS	1	1	1	1
79		CASE VEGETB B AS	CASE (NANO)+FRAME CASE+FRAME	1	1	1	1
80		DEO ANTI AS	W40XT5XL40	1	1	1	1
81		COVER RETURN DUCT	PP	1	1	1	1
82		COVER VEGETB CASE B	GPPS	1	1	1	1
83		GUIDE CASE C *L AS	ABS	1	1	1	1
84		GUIDE CASE C *R AS	ABS	1	1	1	1
85		CASE VEGETB C AS	CASE (NANO)+FRAME CASE+FRAME	1	1	1	1
93		CASE EGG AS	CASE+TRAY+VINYL	1	1	1	1
94		TANK WATER AS	FRU-541D	x	x	1	1

- Some parts can be changed for improving their performance without notice.
 - Above parts number doesn't describe your own colour & printing. Please remind!

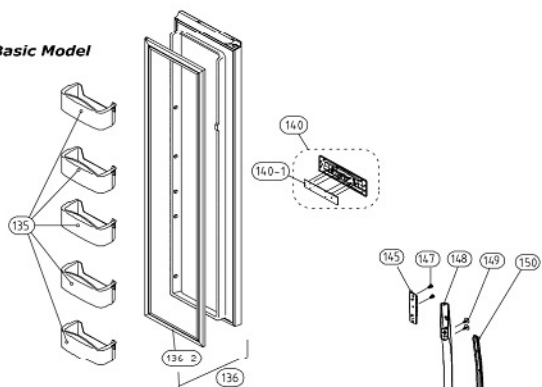
Date	A mendment Note



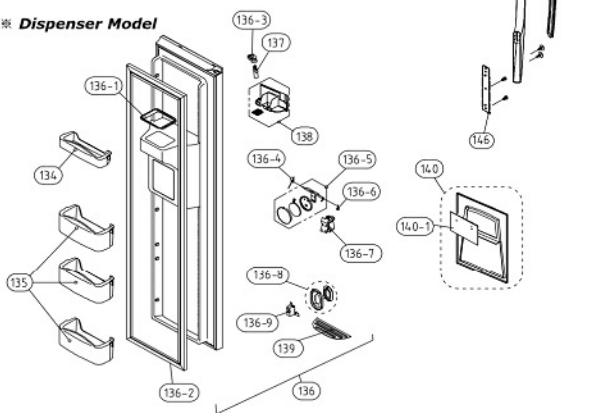
NO	PART-CODE	PART NAME	SPEC.	Q'ty			
				201C	20BC	20DC	20FC
76		GUIDE CASE A *L AS	ABS	1	1	1	1
77		GUIDE CASE A *R AS	ABS	1	1	1	1
83		GUIDE CASE C *L AS	ABS	1	1	1	1
84		GUIDE CASE C *R AS	ABS	1	1	1	1
96		GUIDE DRN	GA	1	1	1	1
97		CASE ICE	PP	2	2		
98		SHELF F ICE AS	FRAME+PRINTED GLASS+FIXTURE	1	1		X
100		MOTOR F FAN	D4612AAA21	1	1	1	1
101		LOUVER F A	ABS	1	1	1	1
102		FAN	ABS OD3.17XD130	1	1	1	1
103		CLAMP FAN	SUS 304	1	1	1	1
105		CAP F LOUVER B	HIPS	2	2	2	2
106		LOUVER F B AS	HIPS	1	1	1	1
107		COVER F RETURN	HIPS	1	1	1	1
111		FRAME ICE MAKER AS	FRU-541D (R-134a) FRU-541D (R-600a)			1	1
113		GUIDE G/MOTR BRKT *L	ABS			1	1
114		GUIDE G/MOTR BRKT *R	ABS			1	1
115		BRACKET GEARED MOTR AS	(MOLD/DY) 110~127V/60Hz (MOLD/DY) 220V/60Hz (MOLD/DY) 220~240V/50Hz	X	X	1	1
116		GUIDE ICE CRUSHER *L	ABS			1	1
117		GUIDE ICE CRUSHER *R	ABS			1	1
118		CASE I/CRUSHER AS	FRU-541D			1	1
119		COVER F FAN AS	FRU-5711	1	1		X
120		COVER F FAN AS	FRU-541D	X	X	1	1
121		PLATE F LAMP	SGCC T0.8	1	1	1	1
121		SOCKET F LAMP AS	FRU-5711	1	1	1	1
122		LAMP F/R	AC 240V 25W(S) AC 125V 25W	2	2	2	2
124		WINDOW F LAMP	MIPS	1	1	1	1
126		SENSOR F AS	PT-38	1	1	1	1
127		COVER F SENS	ABS	1	1	1	1
128		SWITCH DR	SP201R-7DR (R-134a) SPF101B-1D (R-600a)	1	1	1	1
129		SHELF F AS	PRINTED GLASS	3	3	3	3
130		CASE F A AS	CASE+FRAME CASE (NANO)+FRAME	1	1	1	1
133		CASE F B AS	CASE+FRAME CASE (NANO)+FRAME	1	1	1	1

- Some parts can be changed for improving their performance without notice.
 - Above parts number doesn't describe your own colour & printing. Please remind!

※ Basic Model



※ Dispenser Model



NO	PART-CODE	PART NAME	SPEC.	Q'ty			
				201C	20BC	20DC	20FC
134		POCKET F *T	HIPS	x	x	1	1
135		POCKET F	HIPS	5	5	3	3
136		ASSY F DR	FRU-579I, WHITE VCM	1	x	x	x
			FR-5570FRB, WHITE EMBO	x		x	x
			FRU-579B, TITANIUM PCM	x	1	x	x
			FRU-549D, WHITE VCM	x	x		
			FRU-549D/F, TITANIUM PCM	x	x	1	1
136-1		CAP ICE PATH FRAME	PP(FRS-551F)	x	x	1	1
136-2		GASKET F DR AS	PVC+MAGNET	1	1	1	1
136-3		SOCKET LAMP AS	220V 15W	x	x	1	1
136-4		SPRING ICE D LEVR	SUS	x	x	1	1
136-5		COVER I/FLAP AS	FRU-541D	x	x	1	1
136-6		FIXTURE I/SHUT LUVR	FR-5650CD	x	x	1	1
136-7		VALVE SOL DISP	220V 60HZ				
			127V 60HZ	x	x	1	1
			AC 110~115V 60HZ				
			220~240V/50Hz				
136-8		BUTTON DISPNS AS	FRU-541D	x	x	1	1
136-9		SWITCH MICRO	VP333A-2D	x	x	1	1
137		LAMP AS	240V/15W 110V/15W	x	x	1	1
138		BOX DISPNS I/SHUT AS	FRU-541D	x	x	1	1
139		GRILLE DISPNS	ABS	x	x	1	1
140		COVER F PCB AS	EXPORT(FRU-579B/H)	x	1	x	x
		COVER DISPNS BOX AS	FRU-541D	x	x	1	1
140-1		PCB FRONT AS	FR-5570ERB	x	1	x	x
			FRU-541F	x	x	1	1
145		BASE HNDL *T	HIPS	1	1	1	1
146		BASE HNDL *U	HIPS	1	1	1	1
147		SCREW TAPPING	T1 TRS 4*12 MFZN	4	4	4	4
148		HANDLE F/R AS	FR-5580DYB	1	1	1	1
149		SPECIAL SCREW	WASR+TR55X16 MFZN	4	4	4	4
150		DECO HANDL F/R	ABS(SPRAY)	1	1	1	1

- Some parts can be chaged for improving their performance without notice.
 - Above parts number doesn't describe your own colour & printing. Please remind!

Date	A mendment Note

