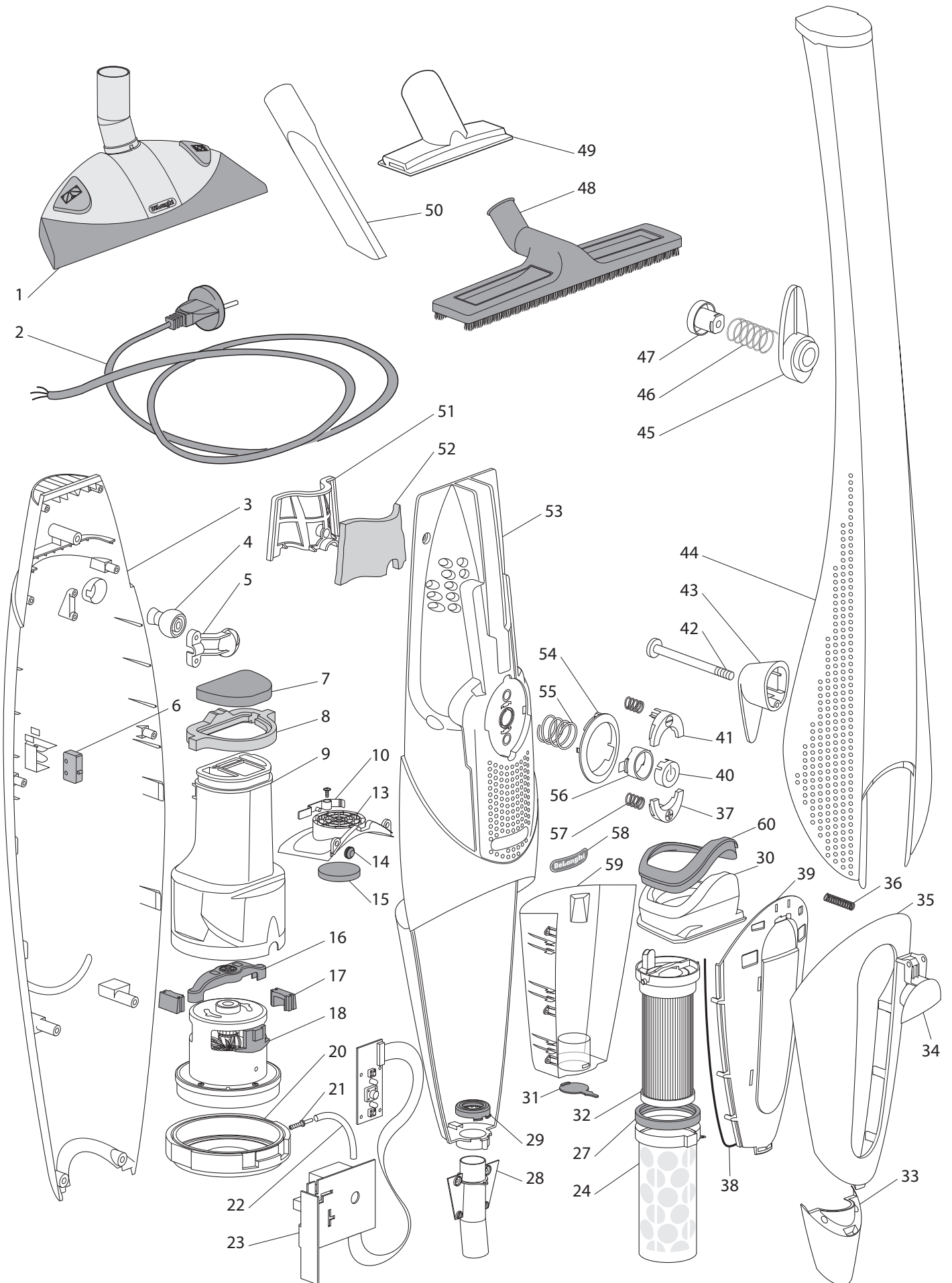


DE'LONGHI "INT/TR" XLC6550 BLACK



DE'LONGHI "INT/TR" COLOMBINA 2.0 XLC6550 BLACK

Pos.	Code	Description
01	7319210121	BRUSH
02	5019210011	POWER SUPPLY CORD
03	5319210961	BODY LOWER
04	5319211951	CABLE GROMMET
05	5319210941	WIRE CLAMP
06	5119210041	SPRING MICROSWITCH
07	5319290731	INSULATOR
08	5319211051	GASKET
09	5319210841	CASING
10	5319210861	LEVER
13	5319211861	GRID
14	5319211281	RUBBER PAD
15	5319290741	FILTER
16	5319210881	STOP
17	5319211031	SUPPORT
18	5119210031	MOTOR
20	5319211061	GASKET
21	5319210951	CONNECTION
22	5319290271	TUBE
23	5219210001	PCB
24	5319211101	FILTER HOLDER
27	5319211261	GASKET
28	5319211851	DUCT
29	5319211041	GASKET
30	5319211111	SUPPORT
31	5319211931	TAB
32	5519210361	FILTER CARTRIDGE
33	5919210681	CLOSURE
34	5919210301	HANDLE
35	5319211091	COVER
36	6119210081	SPRING
37	5319290301	PUSH BUTTON

DE'LONGHI "INT/TR" COLOMBINA 2.0 XLC6550 BOMBINA 2.0 XLC6550 BLACK

Pos.	Code	Description
38	5319211961	GASKET
39	5319211081	UPPER BODY
40	5319290391	PUSH BUTTON ON-OFF
41	5319290321	PUSH BUTTON
42	6119210111	SCREW
43	5319211871	CABLE WINDER
44	5519210171	HANDLE
45	5319211881	CABLE WINDER
46	6119210051	SPRING
47	5319211891	STOPPER
48	CJ1236	PARQUET FLOOR BRUSH
49	7391134800	VENT
50	5319113001	CREVICE TOOL
51	5319211251	FILTER HOLDER
52	5319290761	INSULATOR
53	5919210671	BODY UPPER
54	5319290361	CONTROL PANEL
55	6119210071	SPRING
56	5319210901	CAP
57	6119210061	SPRING
58	5919210691	RATING PLATE
59	5319211071	LOWER BODY
60	5319211151	GASKET