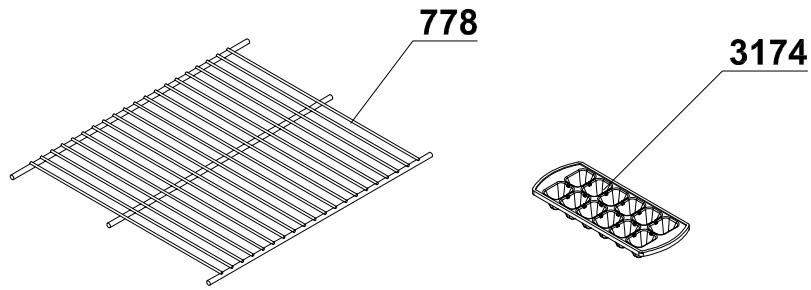
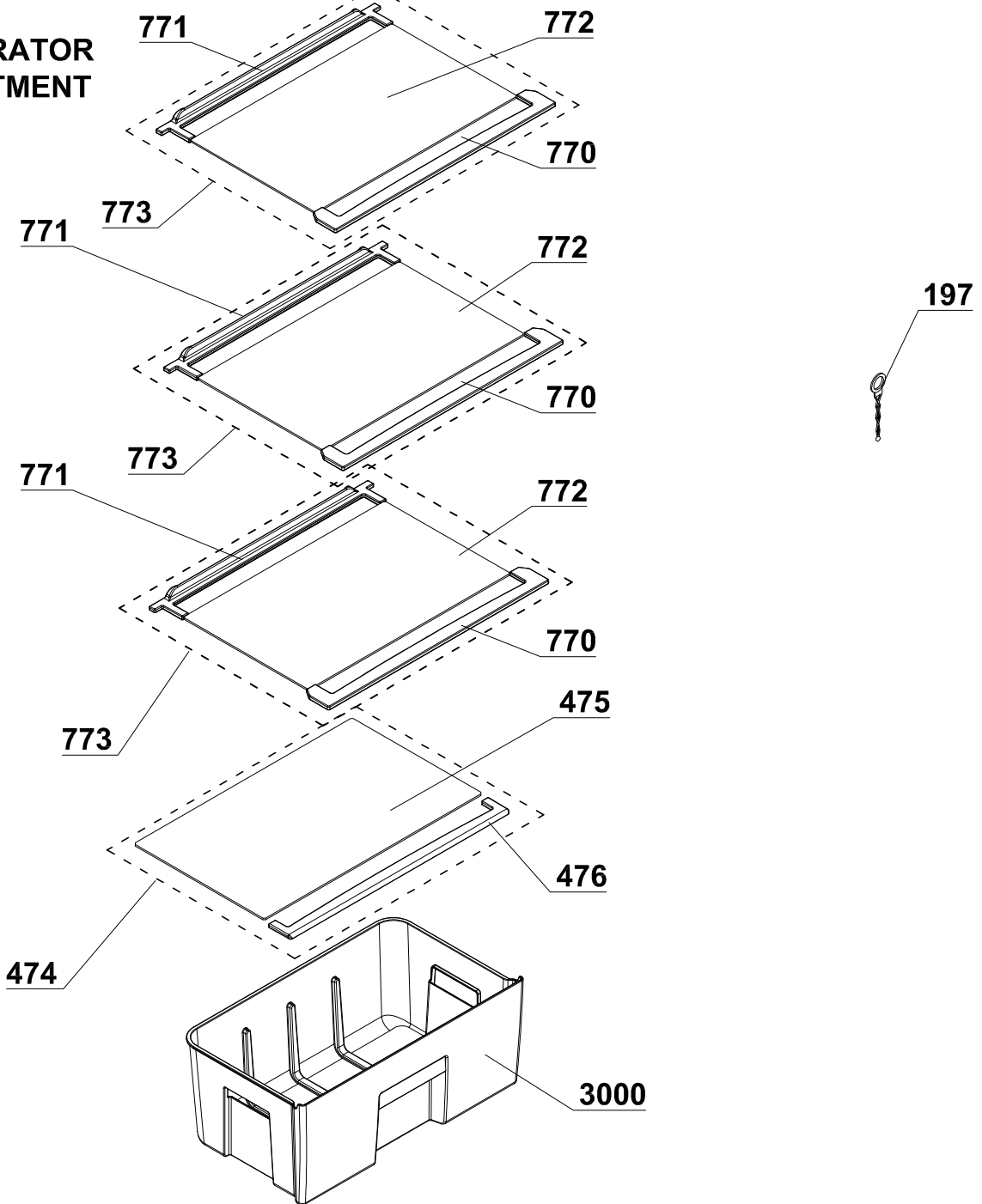


**FREEZER  
COMPARTMENT**



**REFRIGERATOR  
COMPARTMENT**



*Product code:*  
7505920010

*Model:*  
**DOUBLE DOOR REFRIGERATOR D6290-HC**

*Appendix:*  
**3**

**2F 165 A ECRON**

*Revision: 00*

*Gheciu Augustina - PDD*

*08.05.2007*