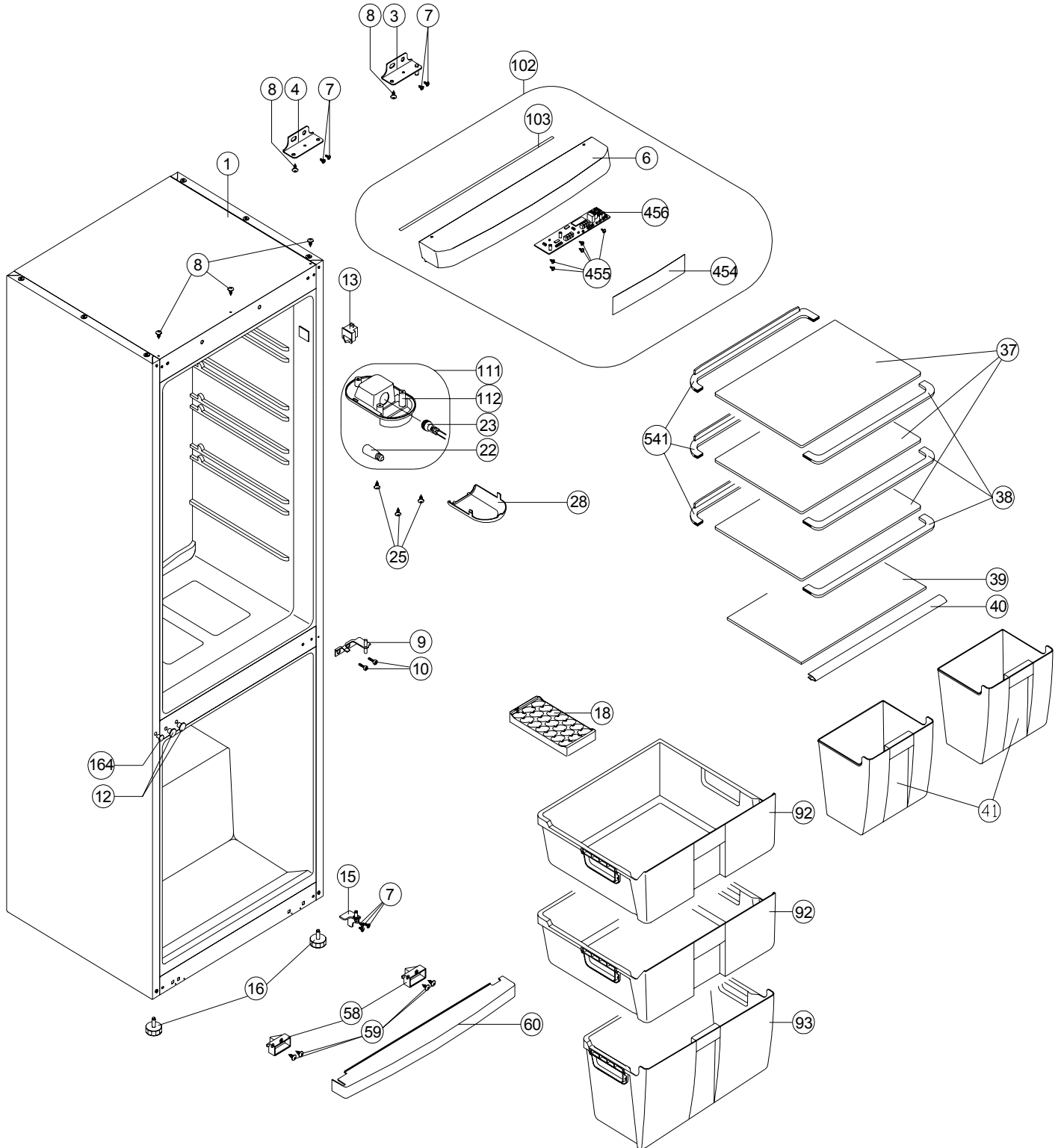


VESTEL
WHITE GOODS

VESTEL REFRIGERATOR
INTERIOR PARTS

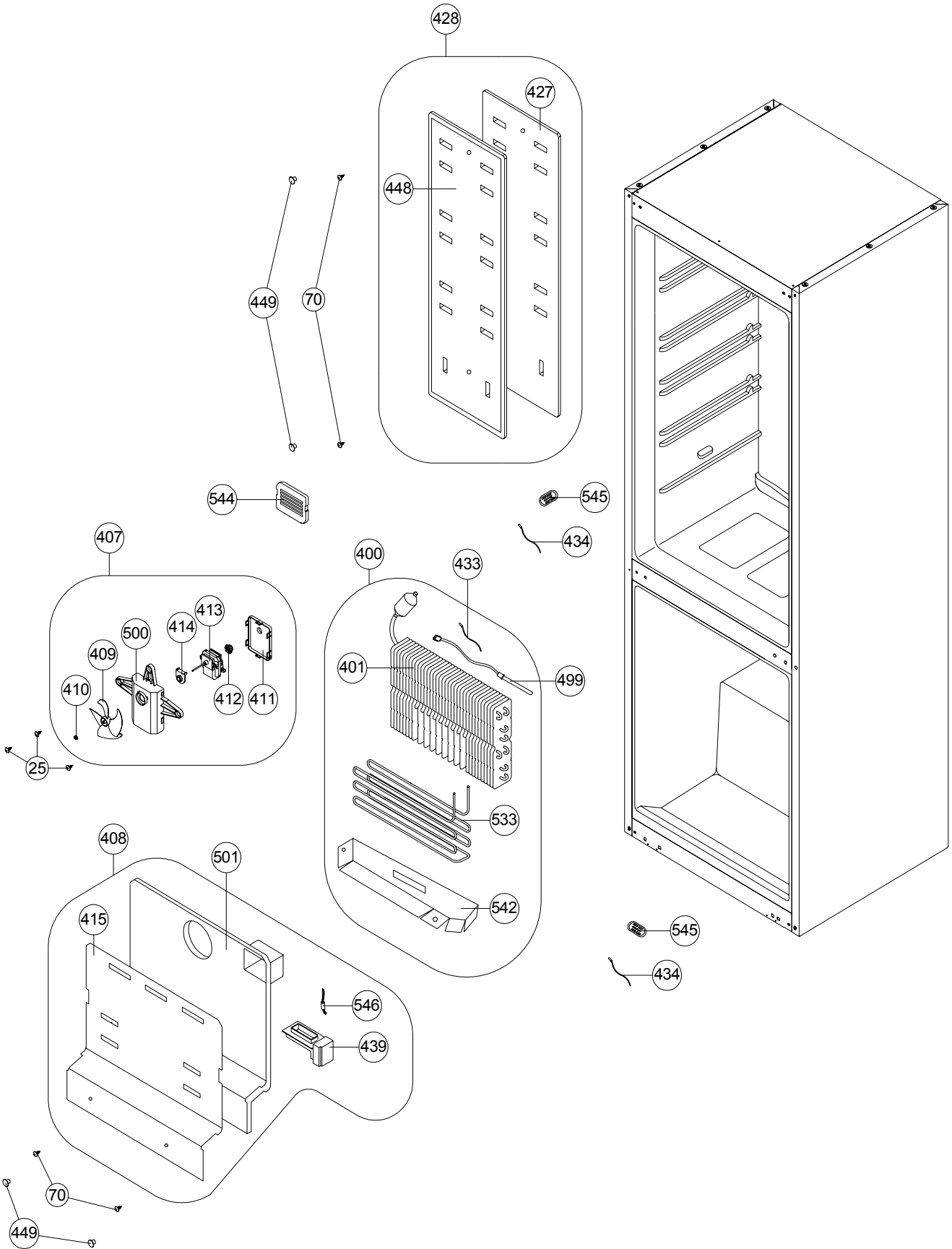
CUSTOMER
SUPPORT



VESTEL WHITE GOODS	VESTEL REFRIGERATOR	CUSTOMER SUPPORT
	INTERIOR PARTS LIST	

POSITION NUMBER	PART NAME
1	ASSY URT CAB/366E
3	TOP HINGE/260 (WITH PIN)
4	TOP HINGE/260 (WITHOUT PIN)
6	HEAD PANEL/366E
7	SCREW M5*14 WN 1342-H EJOT
8	SCREW 4.2*13 DIN 7981 YHB DYED
9	MIDDLE HINGE PAINTED/345
10	SCREW M5*14 WN 1342-H EJOT DYED
12	MIDDLE HINGE SCREW CAP (BIG)
13	DOOR SWITCH
15	BOTTOM HINGE/345
16	STATIONARY FOOT
18	ICE TRAY
22	LAMP (E14/220-240V/15W)
23	LAMP HOLDER-E14
25	SCREW PLS KA 40*13(INOX-S.UÇ)SUS 430
28	LAMP COVER/360
37	R COMPARTMENT SHELF/366
38	R COMPARTMENT SHELF TRIM-FRONT/366
39	CRISPER COVER/360
40	CRISPER COVER TRIM/345
41	CRISPER/360
58	KICK PLATE HOLDER
59	SCREW 3.5*13 DIN 7981 YSB
60	KICK PLATE/345
92	MIDDLE BASKET/366
93	BOTTOM BASKET/366
102	HEAD PANEL GR/366E
103	HEAD PANEL SEAL/360
111	LAMP BOX ASSY/360
112	LAMP BOX/360
164	DOOR HANDLE SCREW CAP
321	CHIL STOPPER
541	R COMPARTMENT SHELF TRIM-BACK/366
454	LEXAN/366E
455	SCREW 30*6 YSB
456	MAIN BOARD/366

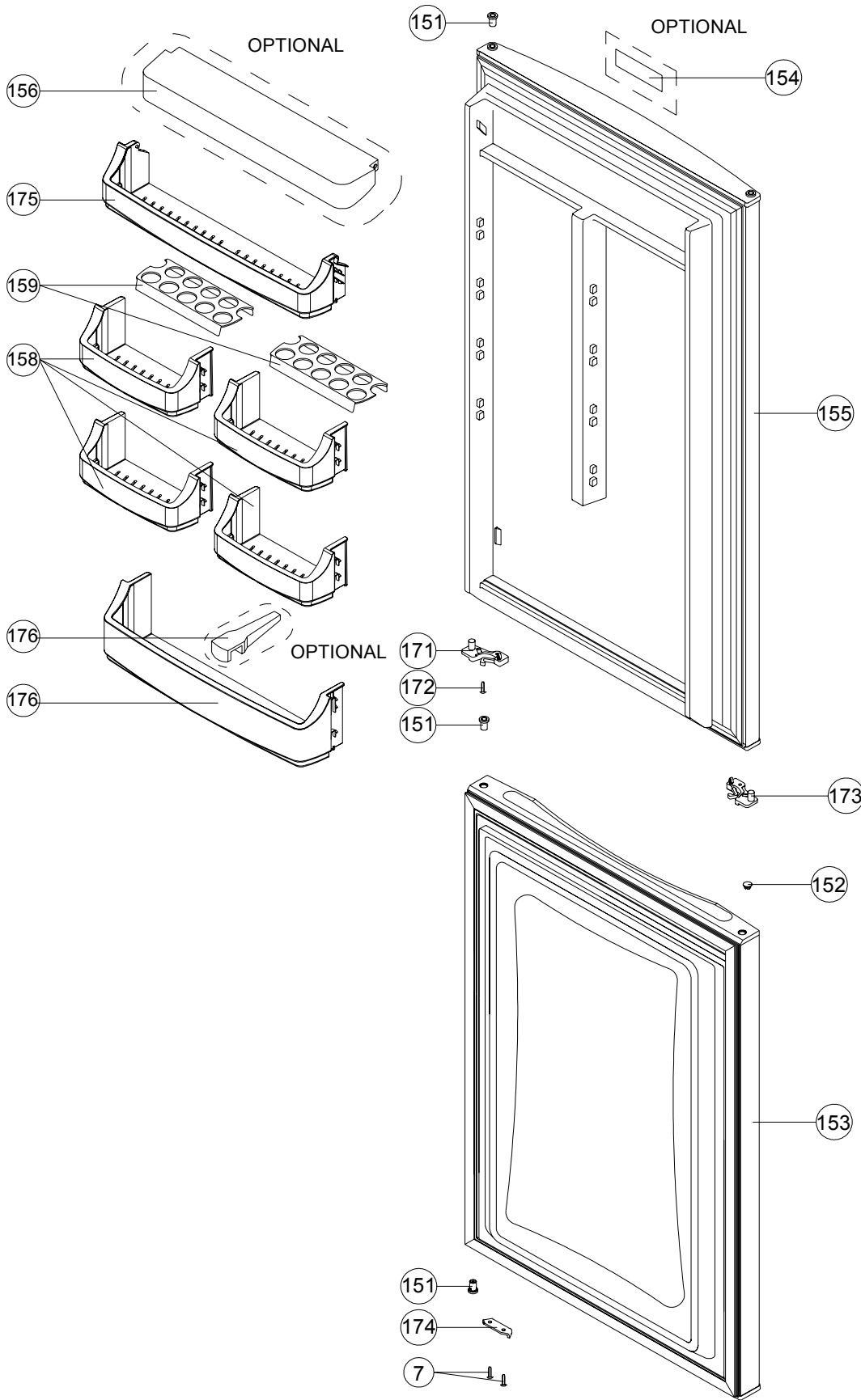
VESTEL WHITE GOODS	VESTEL REFRIGERATOR	CUSTOMER SUPPORT
	MULTIFLOW PARTS	



VESTEL WHITE GOODS	VESTEL REFRIGERATOR	CUSTOMER SUPPORT
	MULTIFLOW PARTS LIST	

POSITION NUMBER	PART NAME
25	SCREW PLS KA 40*13(INOX-S.UÇ)SUS 430
70	SCREW KA 40*14 WN 1411(INOX)EJOT
400	FIN EVAP ASSY/366E
401	FIN EVAPORATOR/366
407	F FAN MOTOR GR/366E
408	F MULTIFLOW GR/366
409	PROPELLER
410	PROPELLER SPRING
411	F FAN MOTOR COVER/370
412	MOTOR ABSORBER/BACK
413	F FAN MOTOR/640
414	MOTOR ABSORBER/FRONT
415	F MULTIFLOW FRONT/366
427	R MULTI FLOW INSULATION/366E
428	R MULTI FLOW GR/366E
433	DEFROST SENSOR GR
434	F SENSOR/540
439	DUMPER MOTOR/366E
448	MULTI FLOW SRGF/366E
449	R MULTIFLOW CAP/ 640
499	THERMAL FUSE ASSY/640
500	F FAN MOTOR BOX/370
501	F MULTI FLOW INSULATION/366
533	FIN EVAP HEATER/366
542	FIN EVAPORATOR CASE/366
544	R AIRDUCKS COVER/366
545	SENSOR COVER/366E
546	DUMPER CABLE/366E

VESTEL WHITE GOODS	VESTEL REFRIGERATOR	CUSTOMER SUPPORT
	DOORASSY. PARTS	



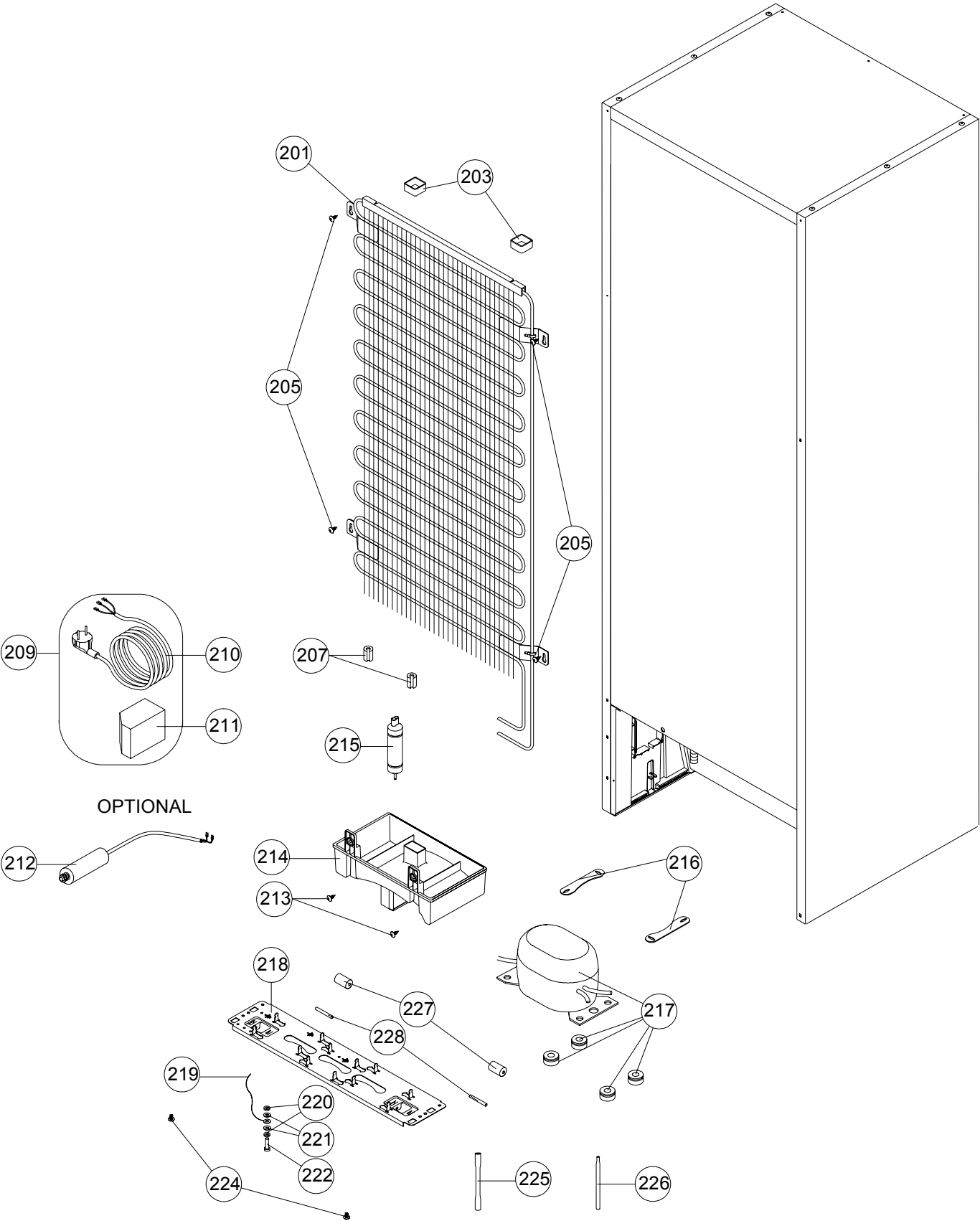
VESTEL WHITE GOODS	VESTEL REFRIGERATOR	CUSTOMER SUPPORT
	DOOR ASSY. PARTS LIST	

POSITION NUMBER	PART NAME
7	SCREW M5*14 WN 1342-H EJOT
151	BUSHING/345P
152	BUSHING CAP
153	F DOOR ASSY/360V
154	LOGO <i>(OPTIONAL)</i>
155	R DOOR ASSY/360V
156	SHELF COVER/345 <i>(OPTIONAL)</i>
158	EGG SHELF/345
159	EGG HOLDER(I+II)345
171	CATCHER RIGHT
172	SCREW KA 35*12 WN 1412(S.U)EJOT
173	CATCHER LEFT
174	R BOTTOM STOPPER
175	CHEESE/BUTTER SHELF/345
176	BOTTLE HOLDER <i>(OPTIONAL)</i>
177	BOTTLE SHELF/345

ABBREVIATIONS :

ASSY : ASSEMBLY
R : REFRIGERATOR
F : FREEZER

VESTEL WHITE GOODS	VESTEL REFRIGERATOR	CUSTOMER SUPPORT
	UNIT PARTS	



VESTEL WHITE GOODS	VESTEL REFRIGERATOR	CUSTOMER SUPPORT
	UNIT PARTS LIST	

POSITION NUMBER	PART NAME
201	MAIN CONDANSER/345
203	SPACER
205	SCREW 4.8*13 DIN7981 TYSB W.O. WASHER
207	ANTIVIBRATION (CONDENSER)
209	POWER CORD GR
210	POWER CORD
211	OVER LOAD RELAY
212	CAPACITOR (<i>OPTIONAL</i>)
213	SCREW 4.2*9.5 DIN 7981 YSB
214	EVAPORATING TRAY/345
215	DRYER (XH9,10GR)
216	COMPR. FIXING BRACKET
217	COMPRESSOR
218	COMPR. BASEMENT/345
219	GROUNDING WIRE
220	NUT M4*3.2 DIN 934 ZNK
221	WASHER 4.3*8*0.9 DIN 6798 ZNK
222	SCREW M4*16 DIN 933 ZNK
224	SCREW KA 50*14 WN 1412 EJOT
225	SERVICE TUBE
226	DRYER VACUUM TUBE
227	WHEEL
228	REAR WHEEL PIN