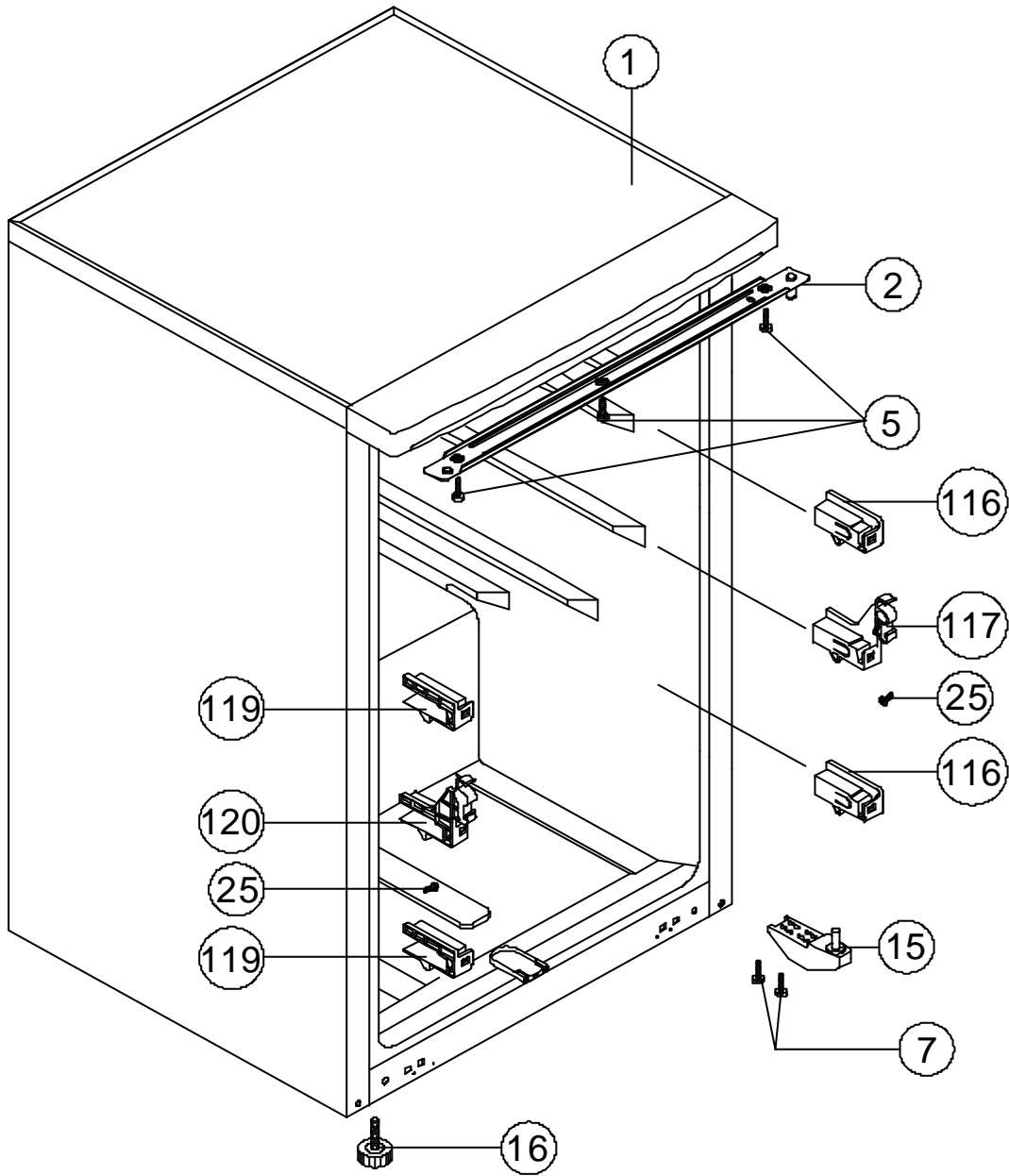


VESTEL WHITE GOODS	VESTEL FREEZER	CUSTOMER SUPPORT
	INTERIOR PARTS and LIST	

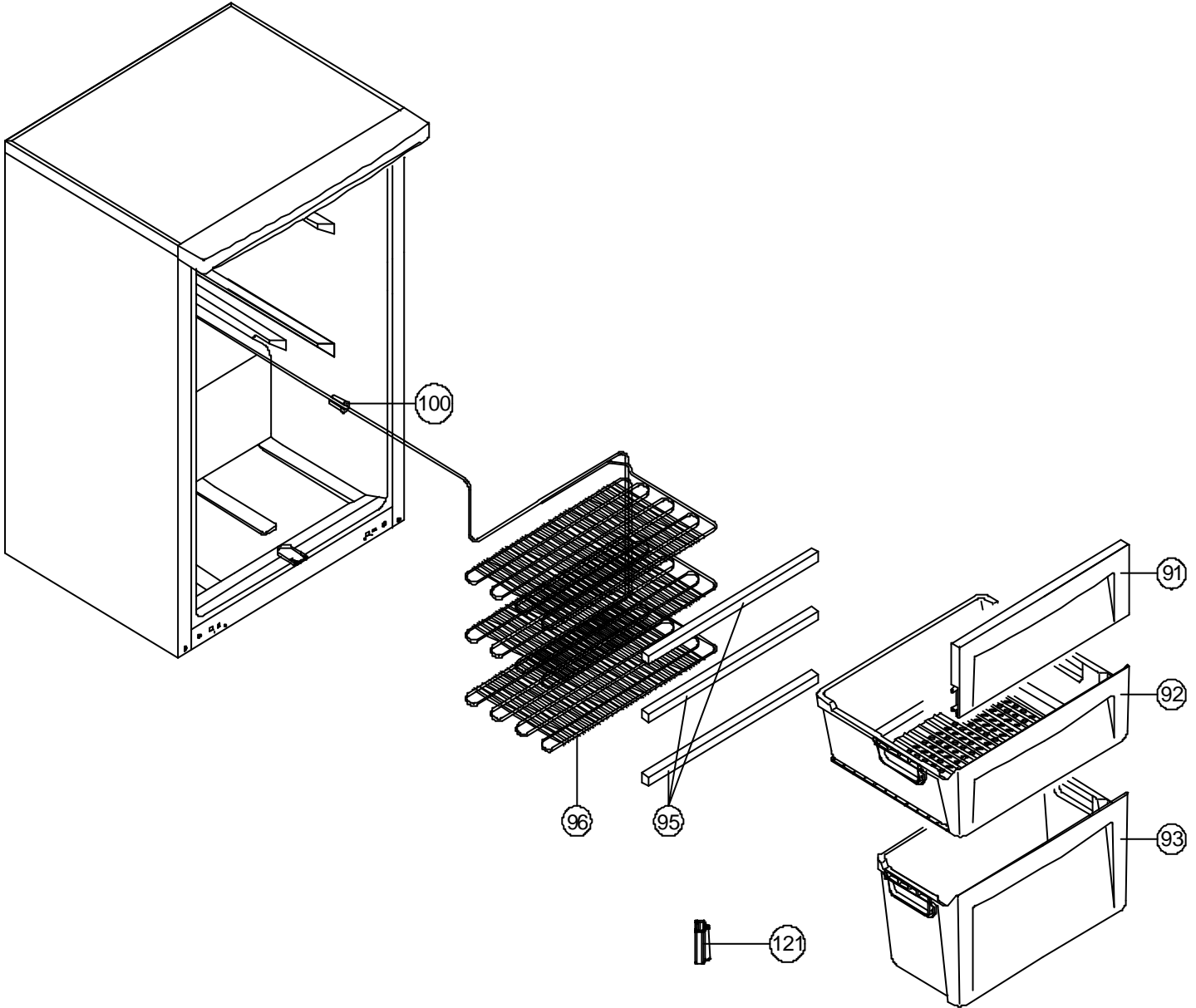


POSITION NUMBER	PART NAME
1	ASSY URT CAB/115
2	TOP HINGE/110
5	SCREW KA 40*8 WN 1412 EJOT
7	SCREW M5*14 WN 1342-H EJOT
15	BOTTOM HINGE/115
16	STATIONARY FOOT
25	SCREW PLS KA 40*13(INOX-S.UÇ)SUS 430
116	F EVAP SUPPORT R/360
117	F COVER SUPPORT R/360
119	F EVAP SUPPORT L/360
120	F COVER SUPPORT L/360

ABBREVIATIONS :

ASSY : ASSEMBLY
URT : URETHANE
CAB : CABINET
F : FREEZER
R : RIGHT
L : LEFT

VESTEL WHITE GOODS	VESTEL FREEZER	CUSTOMER SUPPORT
	ACCESSORY PARTS and LIST	

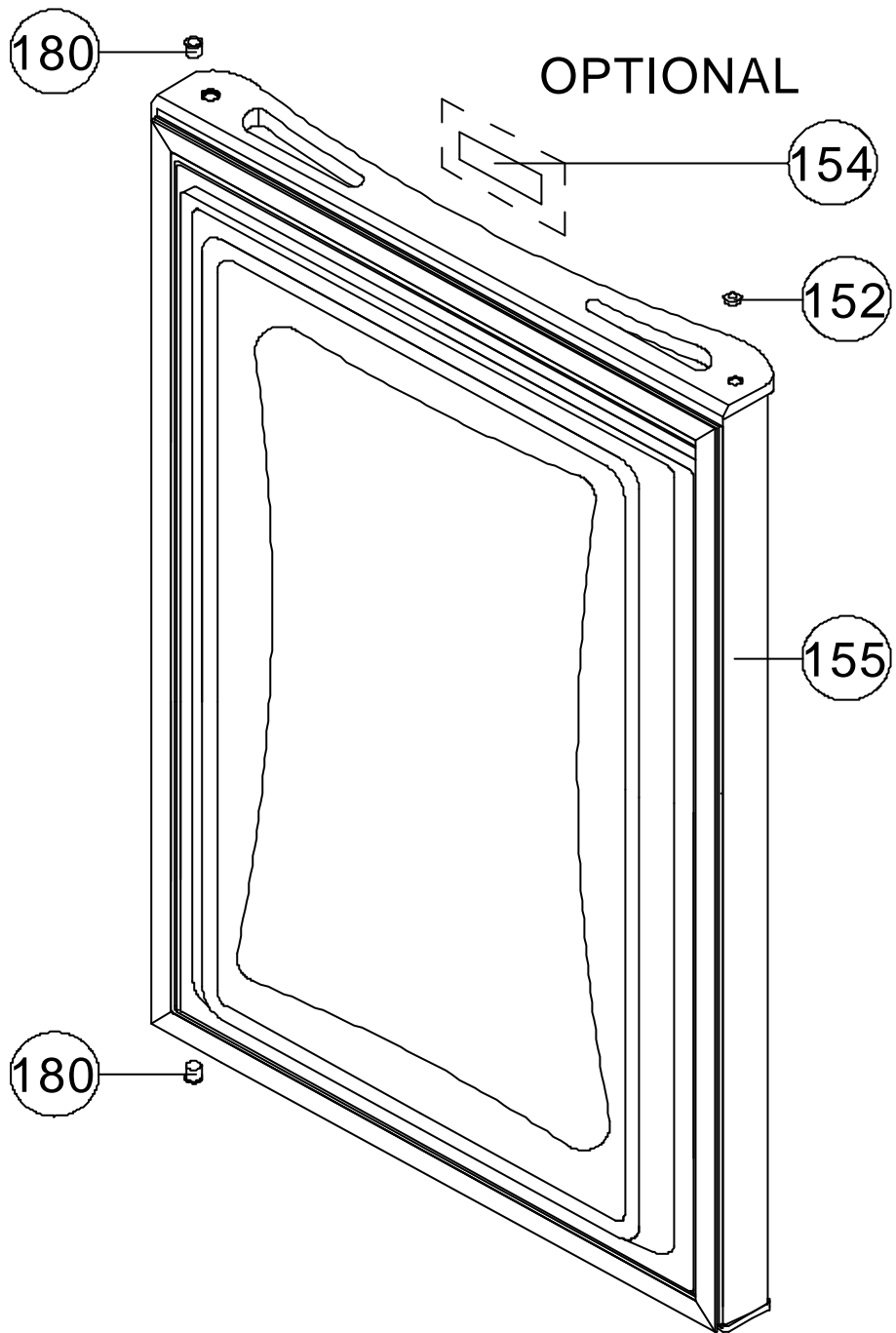


POSITION NUMBER	PART NAME
91	F COVER/115
92	MIDDLE BASKET/115
93	BOTTOM BASKET/115
95	F EVAP TRIM/115
96	F EVAPORATOR ASSY/115
100	ANTIVIBRATION (HEAD EXCHANGER)
121	THERMO CAPI BRACKET/360

ABBREVIATIONS :

F : FREEZER

VESTEL WHITE GOODS	VESTEL FREEZER	CUSTOMER SUPPORT
	DOOR ASSY. PARTS and LIST	

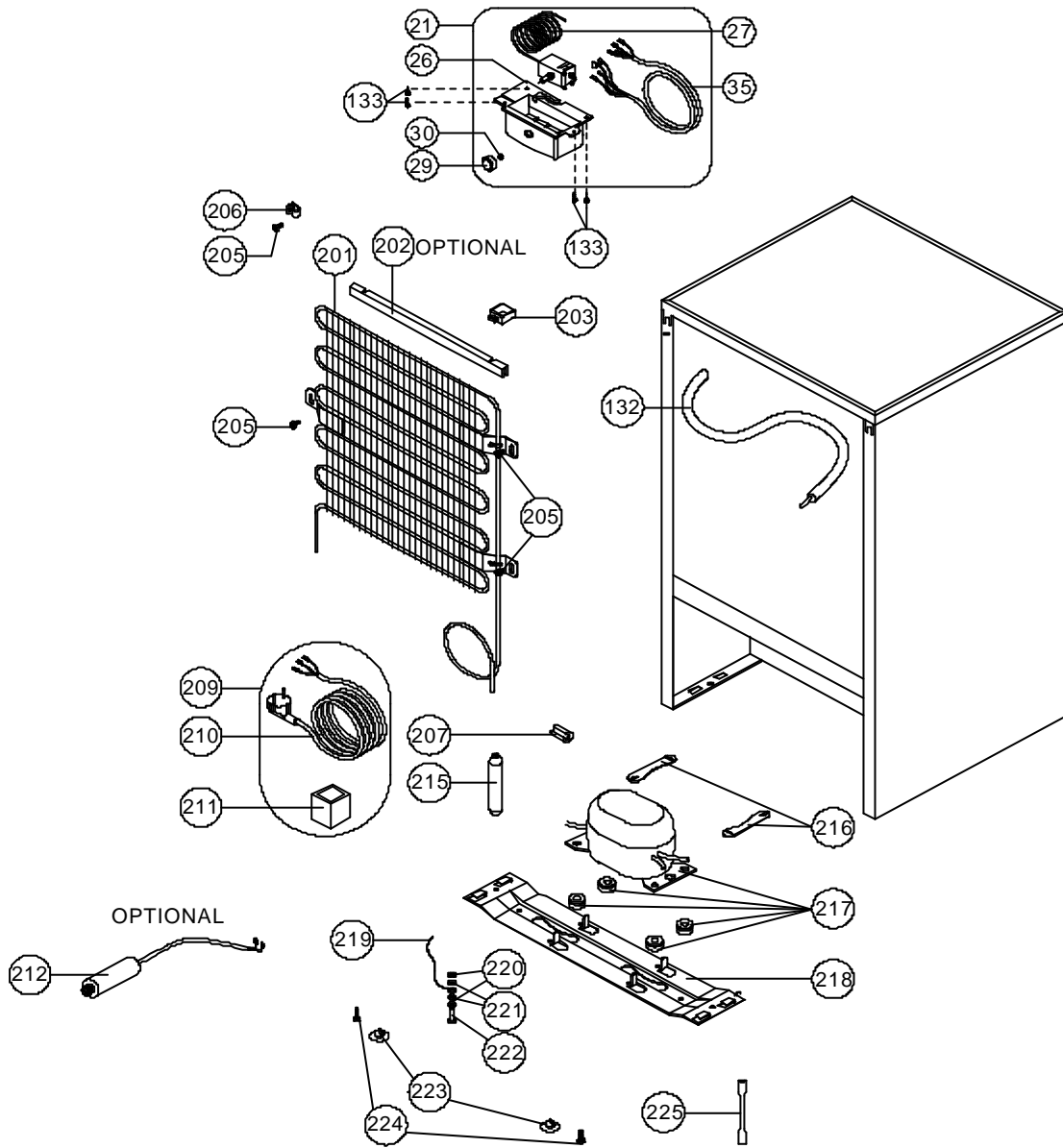


POSITION NUMBER	PART NAME
152	BUSHING CAP
154	LOGO (<i>OPTIONAL</i>)
155	DOOR ASSY/115W
180	BUSHING/345S

ABBREVIATIONS :

ASSY : ASSEMBLY

VESTEL WHITE GOODS	VESTEL FREEZER	CUSTOMER SUPPORT
	UNIT PARTS and LIST	



POSITION NUMBER	PART NAME	POSITION NUMBER	PART NAME
21	THERMOSTAT BOX ASSY/145	210	POWER CORD
26	THERMOSTAT BOX/145	211	OVER LOAD RELAY
27	THERMOSTAT (DNFS077B2339.K54-L2075000) 145	212	CAPACITOR (OPTIONAL)
29	THERMOSTAT KNOB SRGF/145	215	DRYER (XH9.7.5GR) SERVICE
30	THERMOSTAT KNOB SPRING	216	COMP FIXING BRACKET
35	WIRING HARNESS/THERMOSTAT/145	217	COMPRESSOR
132	COVER TUBE (25*13*900) 145	218	COMP BASEMENT/110
133	SCREW 4.2*13 DIN 7981 YSB	219	GROUNDING WIRE
201	MAIN CONDENSER/115	220	NUT M4*3.2 DIN 934 ZNK
202	CONDENSER TRIM/110 (OPTIONAL)	221	WASHER 4.3*8*0.9 DIN 6798 ZNK
203	SPACER	222	SCREW M4*16 DIN 933 ZNK
205	SCREW 4.8*13 DIN7981 TYSB W.O. WASHER	223	FOOT
206	CABLE HOLDER/140	224	SCREW KA 50*14 WN 1412 EJOT
207	ANTIVIBRATION (CONDANSER)	225	SERVICE TUBE (120*6*0.75)
209	POWER CORD GROUP		