



VESTEL REFRIGERATOR

CUSTOMER
SUPPORT

INTERIOR PARTS LIST

POSITION NUMBER	PART NAME
1	ASSY URT CAB/255 (DB)
3	TOP HINGE/260 (WITH PIN)
4	TOP HINGE/260 (WITHOUT PIN)
6	HEAD PANEL/265W
7	SCREW TT M5x14 YSB-F
8	SCREW ST 4.2*13 YHB-C
11	MIDDLE HINGE SCREW CAP (SMALL)
15	BOTTOM HINGE/140
16	STATIONARY FOOT
17	ICE SCRAPER (<i>OPTIONAL</i>)
18	ICE TRAY (<i>OPTIONAL</i>)
23	SCREW KA 40*18 YSB-C-INOX
25	SCREW KA 40*13 YSB-R-C-INOX
102	HEAD PANEL GR/265W
135	SCREW ST 4.2*13 YHB-C
136	HEAD PANEL CAP/245
137	F DOOR GR/255DB
138	F DOOR GASKET/255
139	F DOOR BACK/255DB
140	F DOOR PAD/255DB
141	F DOOR FRONT/255DB
142	F DOOR HANDLE ASSY/340
143	F DOOR LOCK INDICATOR COVER/340
144	F DOOR HANDLE
145	F DOOR LOCK
146	F DOOR SPRING/340
147	F DOOR HINGE
148	F DOOR HINGE COVER
149	F DOOR HOLDER
485	REFRIGERATOR FIXING KIT

ABBREVIATIONS :

ASSY : ASSEMBLY

URT : URETHANE

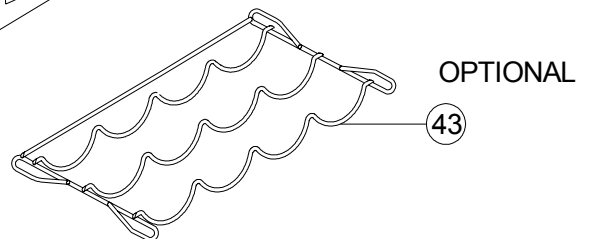
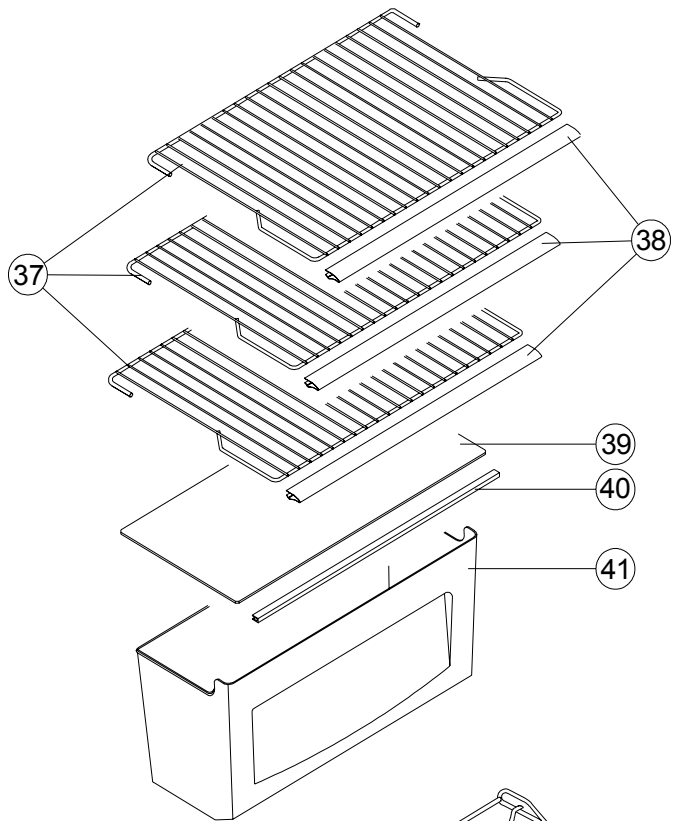
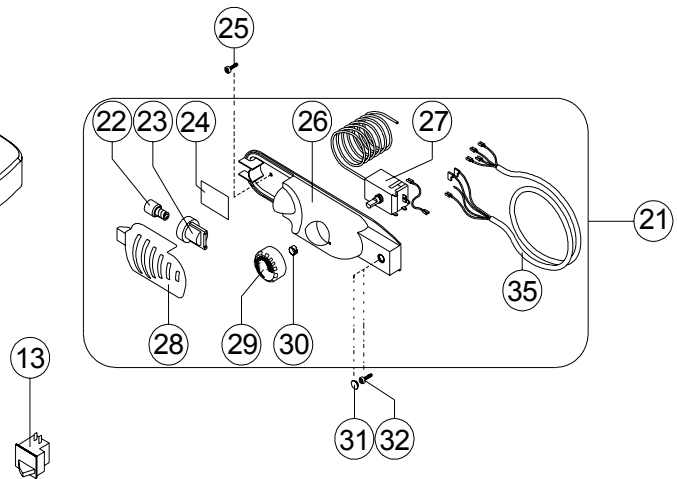
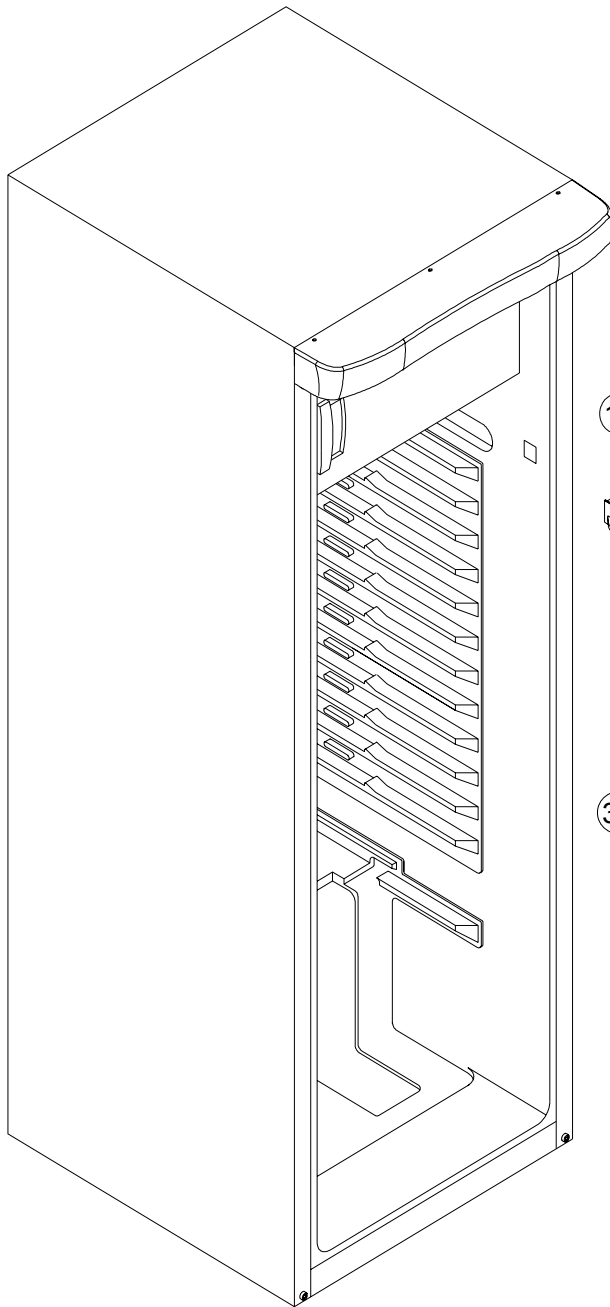
F : FREEZER



VESTEL REFRIGERATOR

CUSTOMER
SUPPORT

EXTERIOR PARTS





VESTEL REFRIGERATOR

EXTERIOR PARTS LIST

**CUSTOMER
SUPPORT**

POSITION NUMBER	PART NAME
13	DOOR SWITCH
21	THERMOSTAT BOX ASSY/255DB (SWITCH)
22	LAMP (E14/220-240V/15W)
23	LAMP HOLDER-E14
24	HEAT REFLECTOR FOIL/140
25	SCREW KA 40*13 YSB-R-C-INOX
26	THERMOSTAT BOX/110
27	THERMOSTAT
28	LAMP COVER/110
29	THERMOSTAT KNOB SRGF/260 (NUMBER)
30	THERMOSTAT KNOB SPRING
31	THERMOSTAT BOX SCREW CAP/140
32	SCREW KA 40*18 YSB-C-INOX
35	WIRING HARNESS/255DB THERMOSTAT
37	R COMPARTMENT SHELF/260
38	SHELF TRIM R/140
39	CRISPER COVER/140
40	CRISPER COVER TRIM/140
41	CRISPER/140
43	WINE SHELF/260 (FOUR BOOTLE) <i>(OPTIONAL)</i>

ABBREVIATIONS :

ASSY : ASSEMBLY

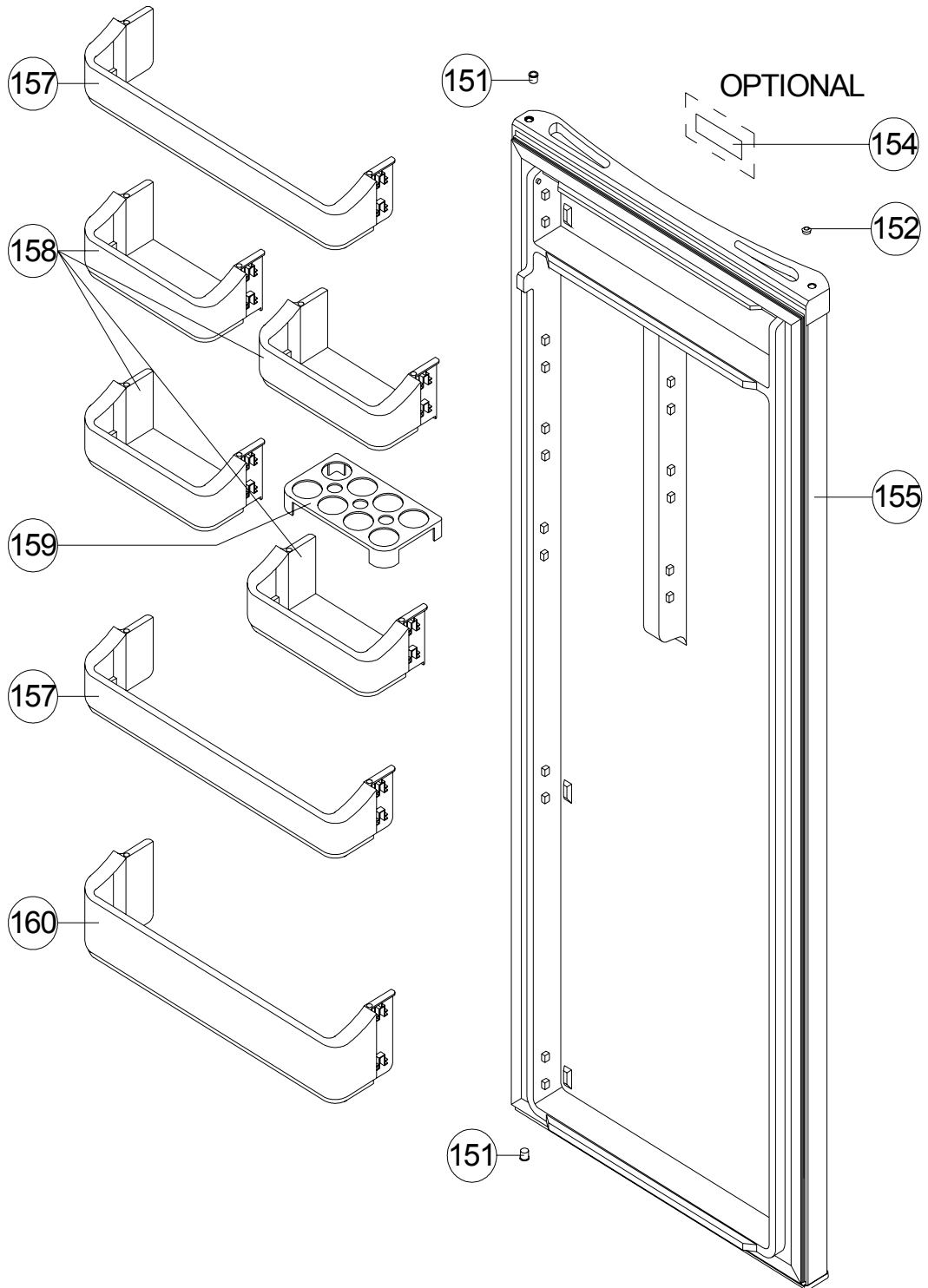
R : REFRIGERATOR




VESTEL REFRIGERATOR

DOOR ASSY. PARTS

CUSTOMER
SUPPORT



 WHITE GOODS	VESTEL REFRIGERATOR	CUSTOMER SUPPORT
	DOOR ASSY. PARTS LIST	

POSITION NUMBER	PART NAME
151	BUSHING/345P
152	BUSHING CAP
154	LOGO (<i>OPTIONAL</i>)
155	DOOR ASSY/265W
157	BOTTLE SHELF/140
158	EGG SHELF/140
159	EGG HOLDER/140
160	BOTTLE SHELF/260

ABBREVIATIONS :

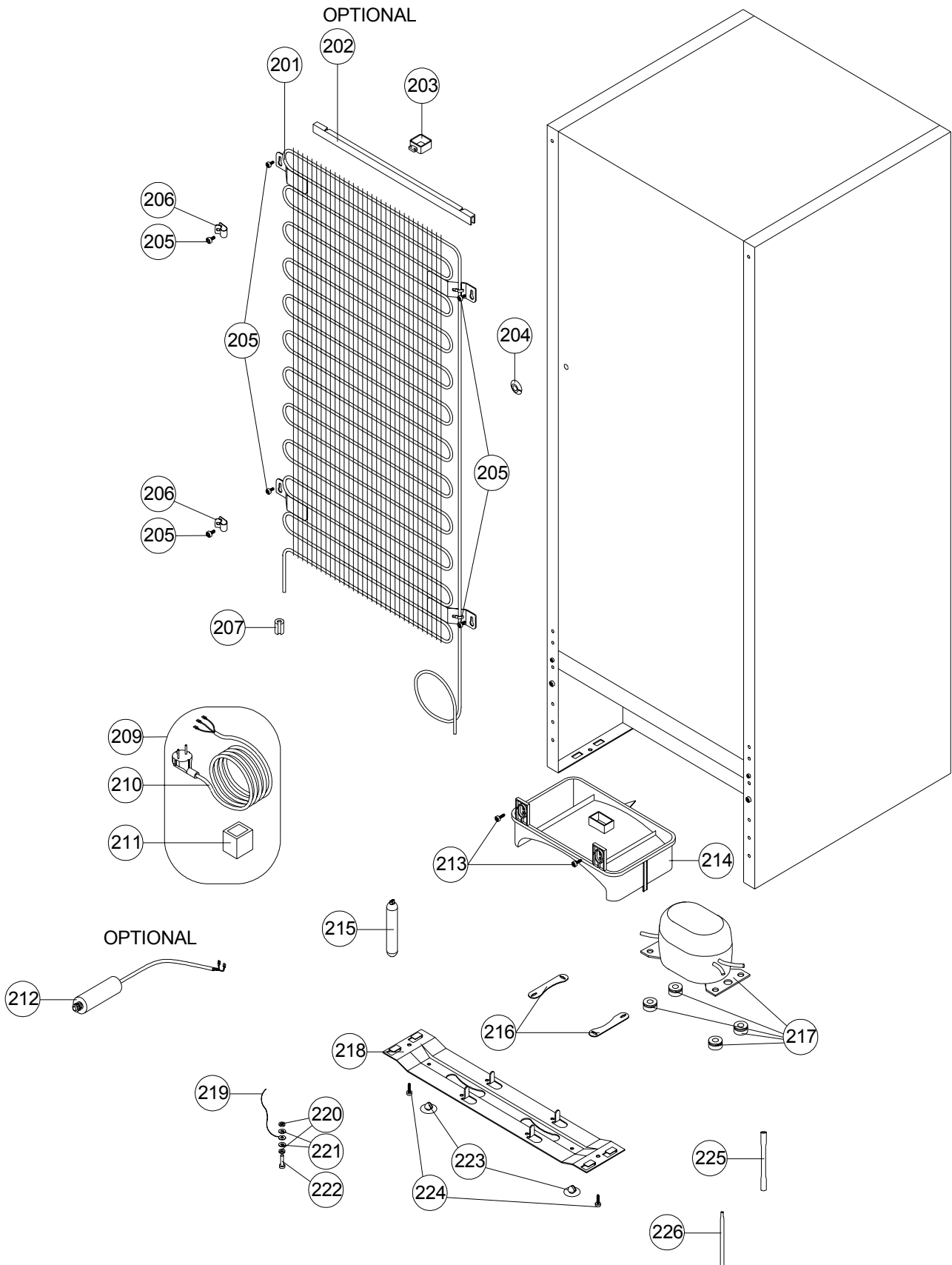
ASSY : ASSEMBLY



VESTEL REFRIGERATOR

CUSTOMER
SUPPORT

UNIT PARTS





VESTEL REFRIGERATOR

CUSTOMER
SUPPORT

UNIT PARTS LIST

POSITION NUMBER	PART NAME
201	MAIN CONDENSER/265
202	CONDENSER TRIM/140 (OPTIONAL)
203	SPACER
204	PLUG,CABLE HARNESS
205	SCREW 4.8*13 DIN7981 TYSB W.O. WASHER
206	CABLE HOLDER PLS/140
207	ANTIVIBRATION (CONDENSER)
209	POWER CORD GR
210	POWER CORD
211	OVER LOAD RELAY
212	CAPACITOR (OPTIONAL)
213	SCREW 4.2*9.5 DIN 7981 YSB
214	EVAPORATING TRAY/260
215	DRYER (XH9,7.5GR)
216	COMP FIXING BRACKET
217	COMPRESSOR
218	COMP BASEMENT/140
219	GROUNDING WIRE
220	NUT M4*3.2 DIN 934 ZNK
221	WASHER 4.3*8*0.9 DIN 6798 ZNK
222	SCREW M4*16 DIN 933 ZNK
223	COMP BASEMENT FOOT/140
224	SCREW KA 50*14 WN 1412 EJOT
225	SERVICE TUBE (120*6*0,75)
226	DRYER VACUUM TUBE