

Pos.	Référence	Désignation	Depuis	Jusqu'à
1	SDR000546	PLAN SUPERIEUR		
2	SDR000532	PANNEAU LATERAL		
3	SDR016313	PANNEAU ARRIERE		
4	SDR000425	TRAVERSE		
5	SDR000426	TIRANT		
8	SDR013327	DEFLECTEUR		
9	SDR000430	TAMBOUR		
10	SDR000127	AILETTE		
11	SDR016297	COURROIE		
12	SDR000139	JOINT ETANCHEITE		
13	SDR016117	COUVERCLE		
14	SDR000128	AXE		
15	SDR000140	ROULEMENT		
16	SDR000141	SUPPORT		
19	SDR128445	SUPPORT		
20	SDR000297	THERMOSTAT		
21	SDR000432	RELAIS		
22	SDR000535	EQUERRE		
23	L46A01719	FILTRE ANTI-PARASIT		
24	SDR000330	RESISTANCE		
25	SDR000326	PONT		
26	SDR000325	THERMOSTAT		
27	SDR000435	GARDE-CABLES		
28	SDR000436	CABLE ALIMENTATION		
29	SDR000119	THERMOSTAT		
30	SDR000437	PANNEAU FRONTAL		
31	SDR000579	KIT		
32	SDR000439	CHARNIERE PORTE		
33	SDR000579	KIT		
34	SDR000570	ACTIONNEUR		
35	SDR156040	PORTE		
37	SDR000120	PATIN		
38	SDR000610	COUVERCLE		
39	SDR000444	BOURRELET		
40	SDR000445	FEUTRE		
41	SDR000227	SUPPORT		
42	SDR000446	JOINT		
43	SDR000447	PLAQUE		
44	SDR000296	MICRORRUPTEUR		
45	SDR000572	FILTRE		
46	SDR000568	JOINT		
47	SDR000450	APPUI		
48	SDR015174	CHAMBRE		
50	SDR151181	CONDUIT		
52	SDR000134	MOTEUR		
54	SDR000400	VENTILATEUR		
55	SDR000136	AMORTISSEUR		
56	SDR000135	DOUILLE		
57	SDR000132	BASE		
58	SDR000130	COUVERCLE		
59	SDR000454	JOINT		
60	SDR000137	PIED REGLABLE		
61	SDR016115	BASE		
62	SDR016226	PORTE-COMMANDES		
63	SDR016223	COMMANDE		
64	SDR000457	RESSORT		
65	SDR016159	BOUTON-POUSSOIR		
67	SDR000458	PROGRAMMATEUR		
68	SDR000552	VOYANT		
69	SDR000545	BOUTON-POUSSOIR		
69	SDR000459	INTERRUPTEUR		
69	SDR000460	INTERRUPTEUR		
89	SDR000161	KIT		
90	SDR000144	MANCHON		
114	SDR000438	PLAQUE		

ENGLISH

CAD	=	ANTI-JAMMING FILTER
IA	=	ANTI-CREASE SWITCH
IG	=	ON-OFF SWITCH
L1	=	DRUM LAMP
LED1/L2	=	ON-OFF LED/ON-OFF LAMP
LED2/L3	=	FILTER LED/FILTER LAMP
LED3/L4	=	FLOAT LED/FLOAT LAMP
M	=	MOTOR
Mc	=	DOOR MICROSWITCH
Mc9	=	FLOAT MICROSWITCH
P	=	PUMP
Pp	=	START SWITCH
R	=	HEATING ELEMENT
S1	=	BRUSH 1
S2	=	BRUSH 2
T	=	TIMER
T1	=	THERMOSTAT
T2	=	HEATING ELEMENT THERMOSTAT
T3	=	HEATING ELEMENT THERMOSTAT
EV	=	ELECTRONIC FAN MOTOR
C	=	CONDENSER
ID	=	SWITCH (SOFT CLOTH)
IB	=	SWITCH (BUZZER)
B	=	BUZZER
RL	=	RELAY
LED4	=	LED (HEATING)
LED5	=	LED (COOLING)
LED6	=	LED (ANTI-CREASE)
LED7	=	LED (DRY CONCLUSION)
L6	=	LAMP (SOFT)

FRANCAIS

CAD	=	FILTRE ANTIPARASITE
IA	=	INTERRUPTEUR ANTI-PLUS
IG	=	INTERRUPTEUR ON-OFF
L1	=	LAMPE P. CUVE
LED1/L2	=	LED ON-OFF/LAMPE ON-OFF
LED2/L3	=	LED FILTRE/LAMPE (FILTRE)
LED3/L4	=	LED (FLOTTEUR)/LAMPE (FLOTTEUR)
M	=	MOTEUR
Mc	=	MICROINTERRUPTEUR P.PORTE
Mc9	=	MICROINTERRUPTEUR P.FLOTTEUR
P	=	POMPE
Pp	=	BOUTON (START)
R	=	RESISTANCE
S1	=	BALAI 1
S2	=	BALAI 2
T	=	PROGRAMMATEUR
T1	=	THERMOSTAT
T2	=	THERMOSTAT RESISTANCE
T3	=	THERMOSTAT RESISTANCE
EV	=	ELECTROVENTILATEUR
C	=	CONDENSATEUR
ID	=	INTERRUPTEUR (DELICAT)
IB	=	INTERRUPTEUR (BUZZER)
B	=	BUZZER
RL	=	RELAIS
LED4	=	LED (RECHAUFFEMENT)
LED5	=	LED (REFROIDISSEMENT)
LED6	=	LED (ANTI-PLIS)
LED7	=	LED (FIN DE CYCLE)
L6	=	LAMPE (DELICAT)

ITALIANO

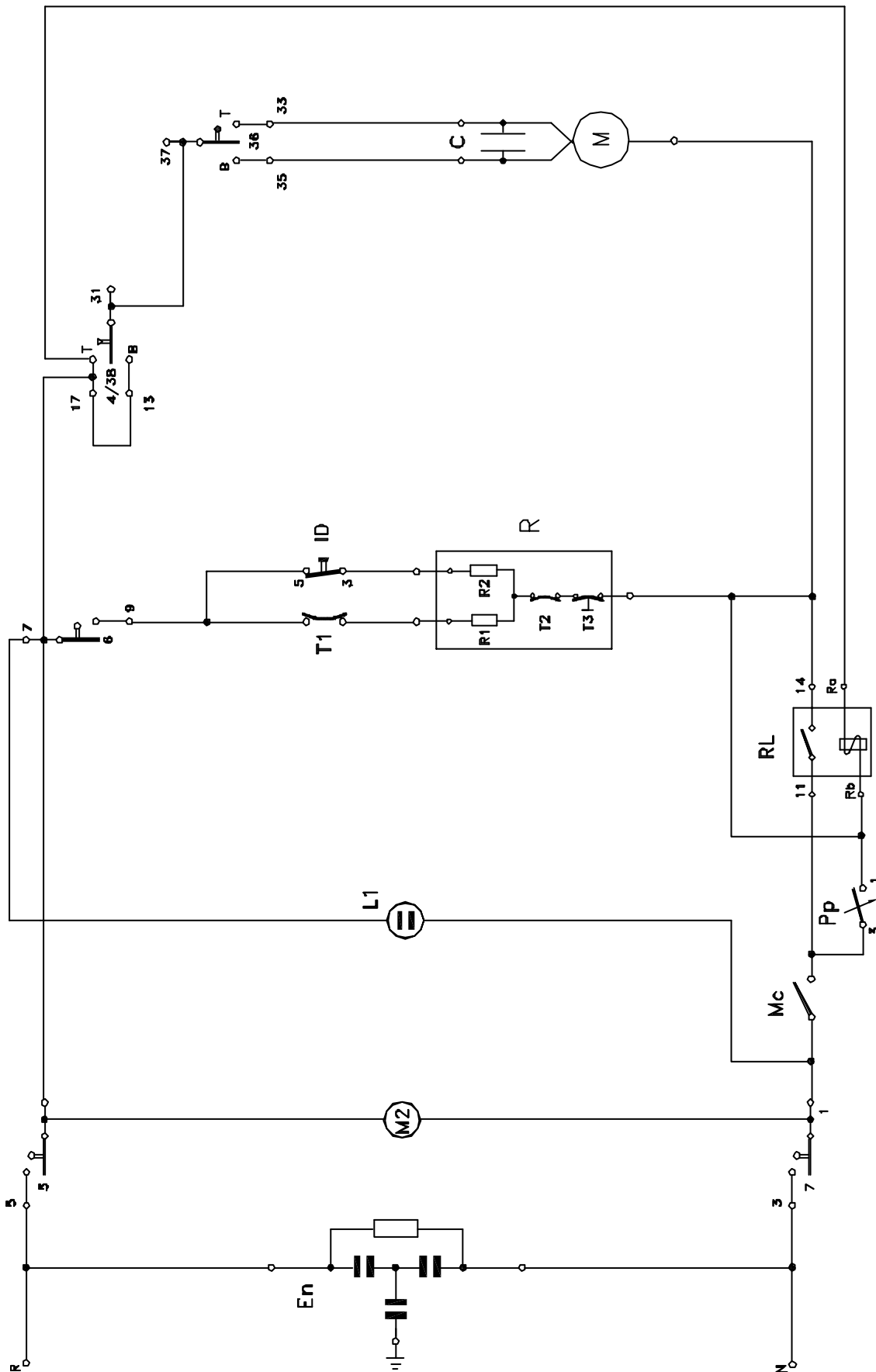
CAD	=	FILTRO RETE
IA	=	INTERRUTTORE ANTIPIEGA
IG	=	INTERRUTTORE ON-OFF
L1	=	LAMPADA CESTO
LED1/L2	=	LED ON-OFF/LAMPADA ON-OFF
LED2/L3	=	LED FILTRO/LAMPADA FILTRO
LED3/L4	=	LED GALLEGGIANTE/LAMPADA GALLEGGIANTE
M	=	MOTORE
Mc	=	MICRO PORTA
Mc9	=	MICRO GALLEGGIANTE
P	=	POMPA
Pp	=	PULSANTE START CICLO
R	=	RESISTENZA
S1	=	SPAZZOLA 1
S2	=	SPAZZOLA 2
T	=	TIMER
T1	=	TERMOSTATO
T2	=	TERMOSTATO RESISTENZA
T3	=	TERMOSTATO RESISTENZA
EV	=	ELETTROVENTILATORE
C	=	CONDENSATORE
ID	=	INTERRUTTORE DELICATO
IB	=	INTERRUTTORE BUZZER
B	=	BUZZER
RL	=	RELE'
LED4	=	LED RISCALDAMENTO
LED5	=	LED RAFFREDDAMENTO
LED6	=	LED ANTIPIEGA
LED7	=	LED FINE CICLO
L6	=	LAMPADA DELICATO

ESPAÑOL

CAD	=	SUPRESOR DE INTERFERENCIAS
IA	=	INTERRUPCIÓN ANTIARRUGAS
IG	=	INTERRUPCIÓN ON-OFF
L1	=	BOMBILLA (TANQUE)
LED1/L2	=	LED ON-OFF/LAMPARA ON-OFF
LED2/L3	=	LED FILTRO/LAMPARA (FILTRO)
LED3/L4	=	LED FLUOTADOR/LAMPARA (FLUOTADOR)
M	=	MOTOR
Mc	=	MICROINTERRUPTOR (PUERTA)
Mc9	=	MICROINTERRUPTOR (FLUOTADOR)
P	=	BOMBA
Pp	=	PULSADOR (START)
R	=	RESISTENCIA
S1	=	ESDOBILLA 1
S2	=	ESDOBILLA 2
T	=	TIMER
T1	=	TERMOSTATO
T2	=	TERMOSTATO RESISTENCIA
T3	=	TERMOSTATO RESISTENCIA
EV	=	ELECTROVENTILADOR
C	=	CONDENSADOR
ID	=	INTERRUPTOR (DELICADO)
IB	=	INTERRUPTOR (BUZZER)
B	=	BUZZER
RL	=	RELE'
LED4	=	LED (CALEFACCION)
LED5	=	LED (ENFRIAMIENTO)
LED6	=	LED (ANTIARRUGAS)
LED7	=	LED (FIN DE CICLO)
L6	=	LAMPARA (DELICADO)

BRAUN/BR.	BEAUN	MARRON	BROWN	BROWN	MARRONE	MARRON	BRAUN/BR.
BRUN/GR.	BRUN	GRIS	GREY	GREY	GRIGIO	GRIS	GRUN/GR.
BRUN/GRN.	GRUN	VERT	GREEN	GREEN	VERDE	VERDE	GRUN/GRN.
CE.-GN.	CELB-GRLN	JALNE-VERT	YELLOW-GREEN	YELLOW-GREEN	CHALLO-VERDE	AMARILLO-VERDE	CE.-GN.
BLAU/H.-BL.	HELL-BLAU	BLEU	BLUE	BLUE	AZULURO	AZUL	BLAU/H.-BL.
DRANGE/DR.	DRANGE	ORANGE	ORANGE	ORANGE	ARANCO	ARANCO	DRANGE/DR.
ROSA/REI.	ROSA	ROSE	PINK	PINK	ROSA	ROSA	ROSA/REI.
ROT/RT.	ROT	ROUGE	RED	RED	ROSSO	ROSSO	ROT/RT.
SCHWARZ/SW.	SCHWARZ	NOIR	BLACK	BLACK	NERO	NERO	SCHWARZ/SW.
VIOLET/VI.	VIOLETT	VIOLET	VIOLET	VIOLET	VIOLA	VIOLETA	VIOLET/VI.
WEISS/WS.	WEISS	BLANC	WHITE	WHITE	BIANCO	BIANCO	WEISS/WS.
WS.-BL.	WEISS-BLAU	BLANC-BLEU	WHITE-BLUE	WHITE-BLUE	BIANCO-BLU	BIANCO-AZUL	WS.-BL.
WS.-GN.	WEISS-GRUN	BLANC-VERT	WHITE-GREEN	WHITE-GREEN	BIANCO-VERDE	BIANCO-VERDE	WS.-GN.
WS.-RT.	WEISS-ROT	BLANC-ROUGE	WHITE-RED	WHITE-RED	BIANCO-ROSSO	BIANCO-ROSSO	WS.-RT.
WS.-BR.	WEISS-BRAUN	BLANC-MARRON	WHITE-BROWN	WHITE-BROWN	BIANCO-MARRONE	BIANCO-MARRON	WS.-BR.
WS.-GR.	WEISS-GRAU	BLANC-GRIS	WHITE-GRAY	WHITE-GRAY	BIANCO-GRIS	BIANCO-GRIS	WS.-GR.
RT.-BR.	ROT-BRAUN	ROUGE-MARRON	RED-BROWN	RED-BROWN	ROSSO-MARRONE	ROSSO-MARRON	RT.-BR.
RT.-BL.	ROT-BLAU	ROUGE-BLEU	RED-BLUE	RED-BLUE	ROSSO-BLU	ROSSO-AZUL	RT.-BL.
WS.-SW.	WEISS-SCHWARZ	BLANC-NOIR	WHITE-BLACK	WHITE-BLACK	BIANCO-NERO	BIANCO-NERO	WS.-SW.

Programador ELBI 14478.01



Programador ELBI 14178.01

