



NO FROST-COMBI 366 MECHANIC

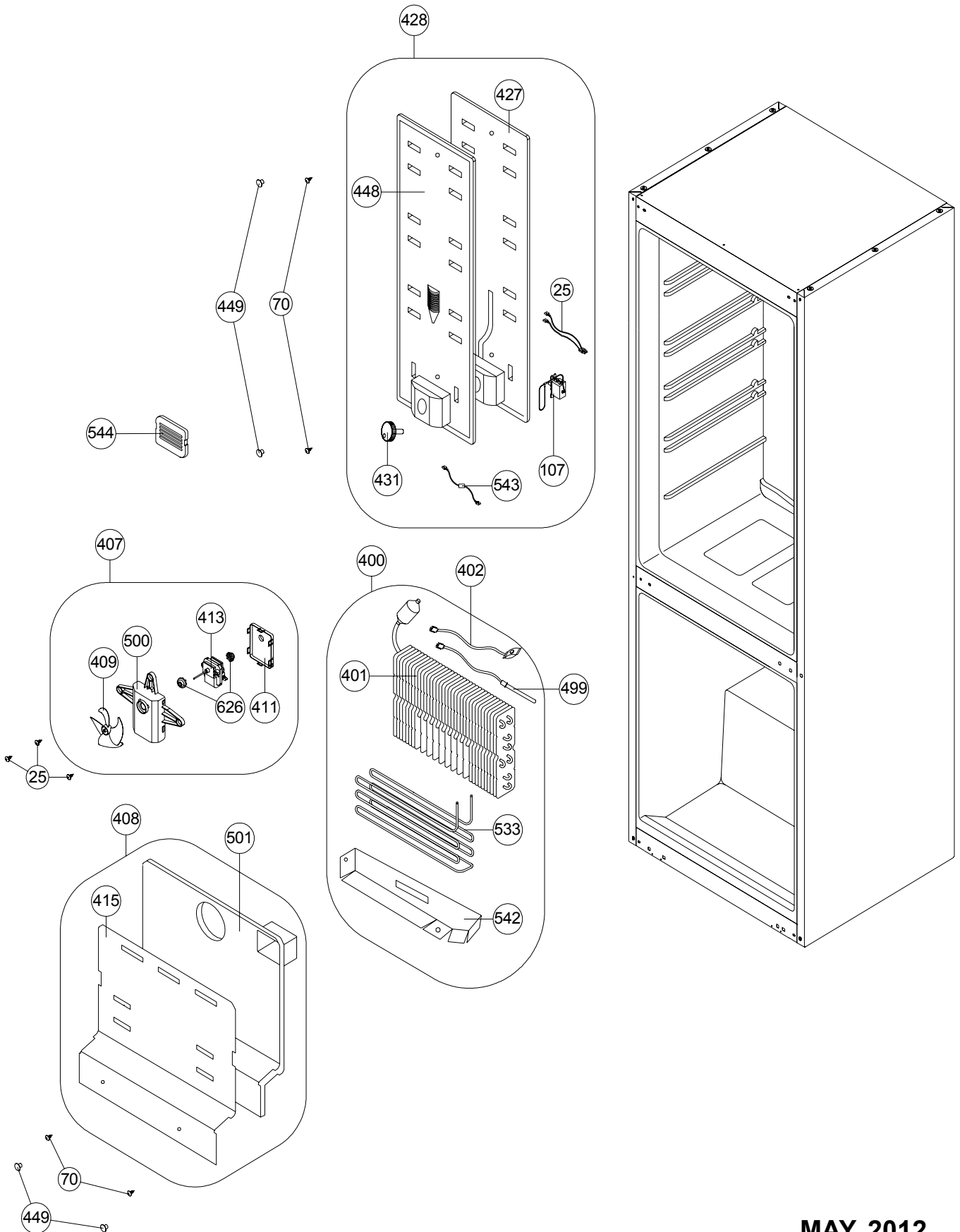
**CUSTOMER
SUPPORT**

INTERIOR PARTS LIST

POSITION NUMBER	PART NAME
1	ASSY URT CAB/366M
2	TOP HINGE/345GK
7	SCREW M5*14 YSB-F
8	SCREW ST 4.2*9.5 YSB-C
9	MIDDLE HINGE/345
12	MIDDLE/HINGE SREW CAP(BIG)
15	BOTTOM HINGE/HC GR.
16	STATIONARY FOOT/VF
18	ICE TRAY
19	FREEZER GLASS SRGF SHELF/366 RV1
22	LAMP(E14/220-240V/15W)
23	LAMP HOLDER E-14
25	SCREW 40*13 YSB-R-C-INOX
28	LAMP COVER/360
37	R GLASS SHELF/366
38	R COMPARTMENT SHELF TRIM-FRONT/366
39	CRISPER COVER/366
40	CRISPER COVER TRIM/366
41	CRISPER/366
44	TOP/HINGE SREW CAP(RIGHT)345CE
45	TOP/HINGE SREW CAP(LEFT)345CE
59	SCREW 3.5*13 YSB-C
62	ICE TRAY COVER/366 (OPTIONAL)
87	FRONT WHEEL GR.
92	MIDDLE BASKET/366
93	BOTTOM BASKET/366
111	LAMP BOX ASSY/360
112	LAMP BOX/360(WITH FOIL)
164	DOOR HANDLE SCREW CAP
223	FOOT
315	F DOOR LAMP SWITCH
541	R COMPARTMENT SHELF TRIM-BACK/366
640	SCREW TT M5x16 YSB-F
641	BOTTOM HINGE/HC GR.
642	WHEEL /GK
644	STATIONARY FOOT/HC
700A	STOPPER UPPER/RIGHT 366
700B	STOPPER UPPER/LEFT 366
701A	STOPPER BOTTOM/RIGHT 366
701B	STOPPER BOTTOM/LEFT 366

MAY 2012

MULTIFLOW PARTS





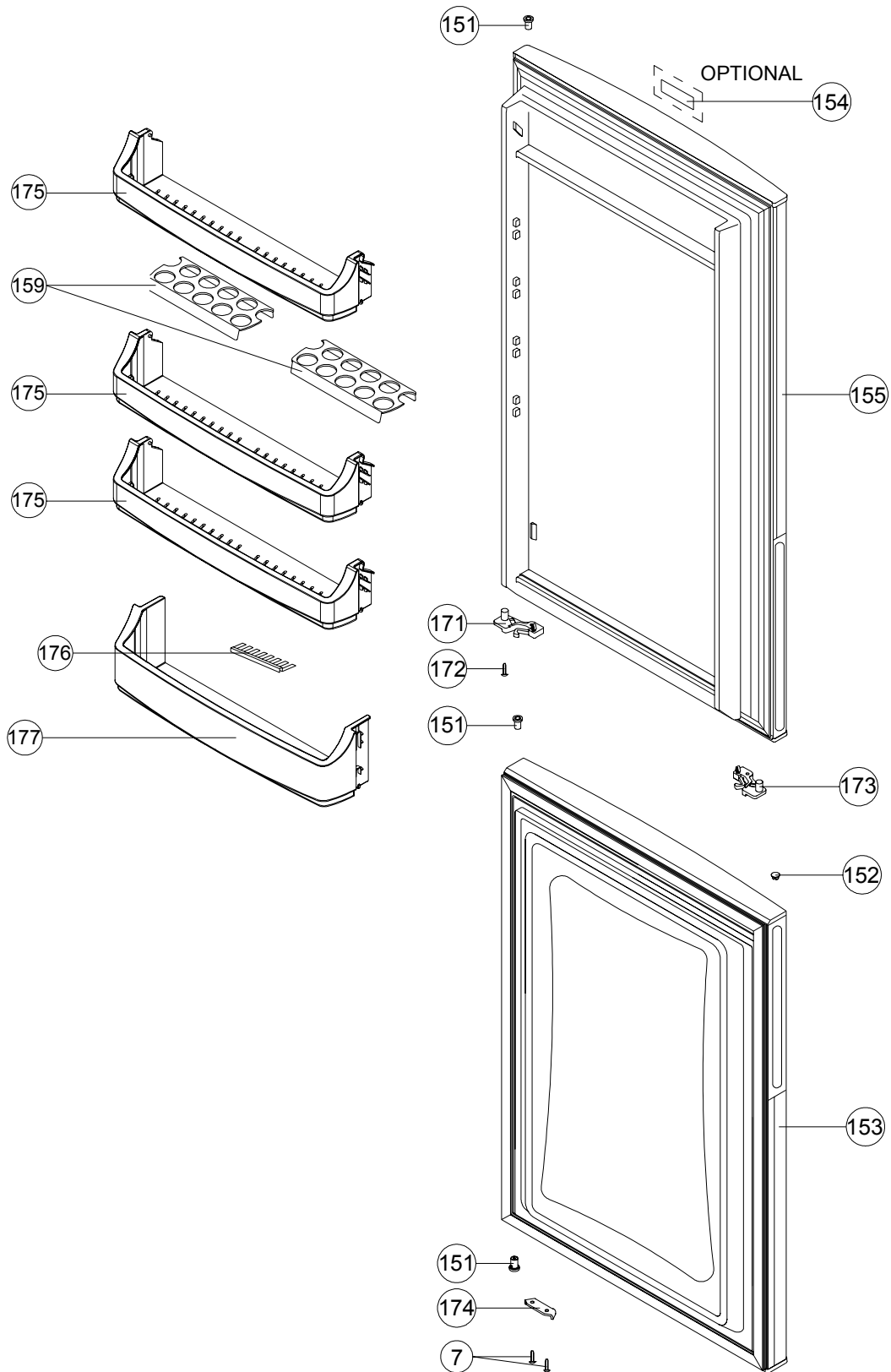
NO FROST-COMBI 366 MECHANIC

MULTIFLOW PARTS LIST

**CUSTOMER
SUPPORT**

POSITION NUMBER	PART NAME
25	SCREW 40*13 YSB-R-C-INOX
35	WIRING HARNESS/THERM./366
70	SCREW KA 40*14 YSB-R-F-INOX
107	FRZ.THERMOSTAT
400	FIN EVAP ASSY/366
401	FIN EVAPORATOR/366
402	BIMETAL TERM.GR/370
407	F FAN MOTOR GR/370
408	F MULTIFLOW GR/366
409	PROPELLER
411	F FAN MOTOR COVER/370
413	EVAP FAN MOTOR
415	F MULTIFLOW FRONT/366
427	R MULTI FLOW INSULATION/366
428	R MULTI FLOW GR/366
431	THERMOSTAT KNOB (REF)
448	MULTI FLOW SRGF/366
449	R MULTIFLOW CAP/ 640
499	THERMAL FUSE ASSY/640
500	F FAN MOTOR BOX/370
501	F MULTI FLOW INSULATION/366
533	FIN EVAP HEATER/366
542	FIN EVAPORATOR CASE/366
543	THERMOSTAT HEATER GR
544	R AIRDUCKS COVER/366
626	FREEZER FAN MOTOR RUBBER

MAY 2012



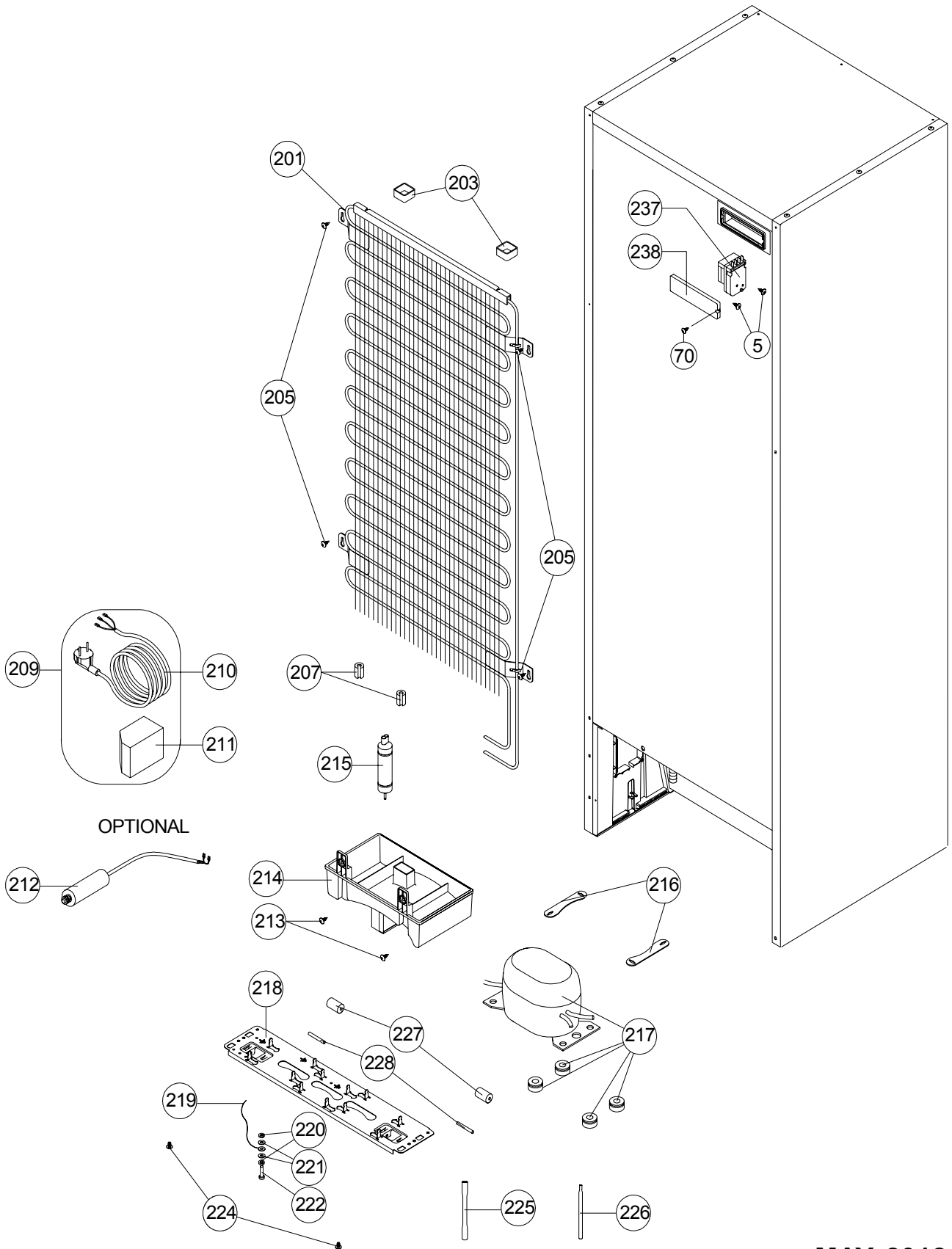
**NO FROST-COMBI 366 MECHANIC****DOOR ASSY. PARTS LIST****CUSTOMER
SUPPORT**

POSITION NUMBER	PART NAME
7	SCREW M5*14 YSB-F
151	BUSHING/345P
152	BUSHING CAP
153	F DOOR ASSY/360HC-S
155	R DOOR ASSY/366HC-S
159	EGG HOLDER(I+II)345
164	DOOR HANDLE SCREW CAP
171	CATCHER RIGHT
172	SCREW KA 35*12 YSB-C
173	CATCHER LEFT
174	R BOTTOM STOPPER/HC
175	CHEESE/BUTTER SHELF/345
176	BOTTLE HOLDER/570T
177	BOTTLE SHELF/345

ABBREVIATIONS :

ASSY : ASSEMBLY
R : REFRIGERATOR
F : FREEZER

MAY 2012





NO FROST-COMBI 366 MECHANIC

**CUSTOMER
SUPPORT**

UNIT PARTS LIST

POSITION NUMBER	PART NAME
5	SCREW KA 40*8 WN 1412 EJOT
70	SCREW KA 40*14 WN 1411(INOX)EJOT
201	MAIN CONDANSER/345
203	SPACER
205	SCREW 4.8*13 DIN7981 TYSB W.O. WASHER
207	ANTIVIBRATION (CONDENSER)
209	POWER CORD GR
210	POWER CORD
211	OVER LOAD RELAY
212	CAPACITOR (OPTIONAL)
213	SCREW 4.2*9.5 DIN 7981 YSB
214	EVAPORATING TRAY/345
215	DRYER (XH9,10GR)
216	COMPR. FIXING BRACKET
217	COMPRESSOR
218	COMPR. BASEMENT/345
219	GROUNDING WIRE
220	NUT M4*3.2 DIN 934 ZNK
221	WASHER 4.3*8*0.9 DIN 6798 ZNK
222	SCREW M4*16 DIN 933 ZNK
224	SCREW KA 50*14 WN 1412 EJOT
225	SERVICE TUBE
226	DRYER VACUUM TUBE
227	WHEEL
228	REAR WHEEL PIN
237	TIMER/12H/220V-50HZ
238	TIMER COVER (SPONGE)

MAY 2012