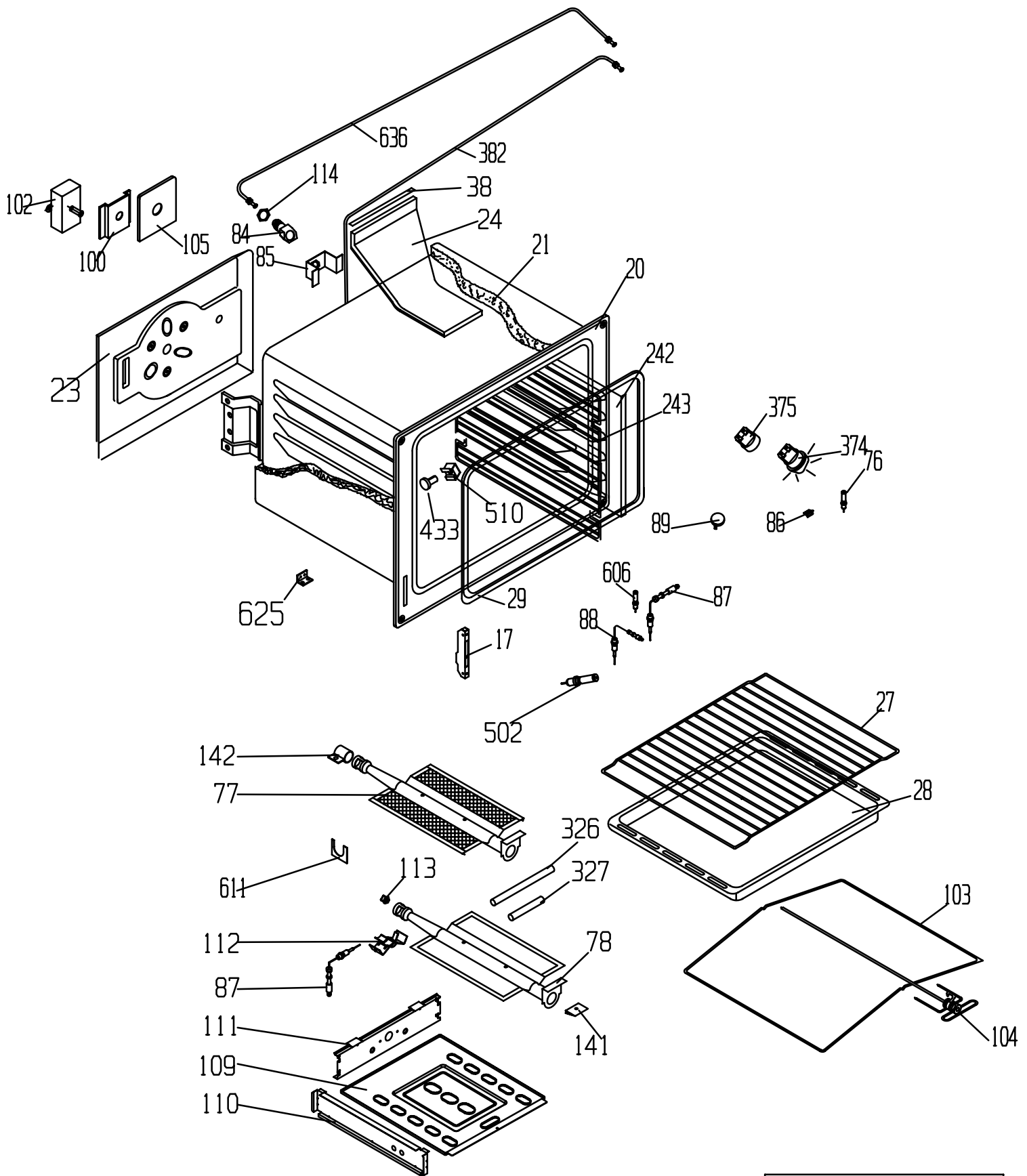
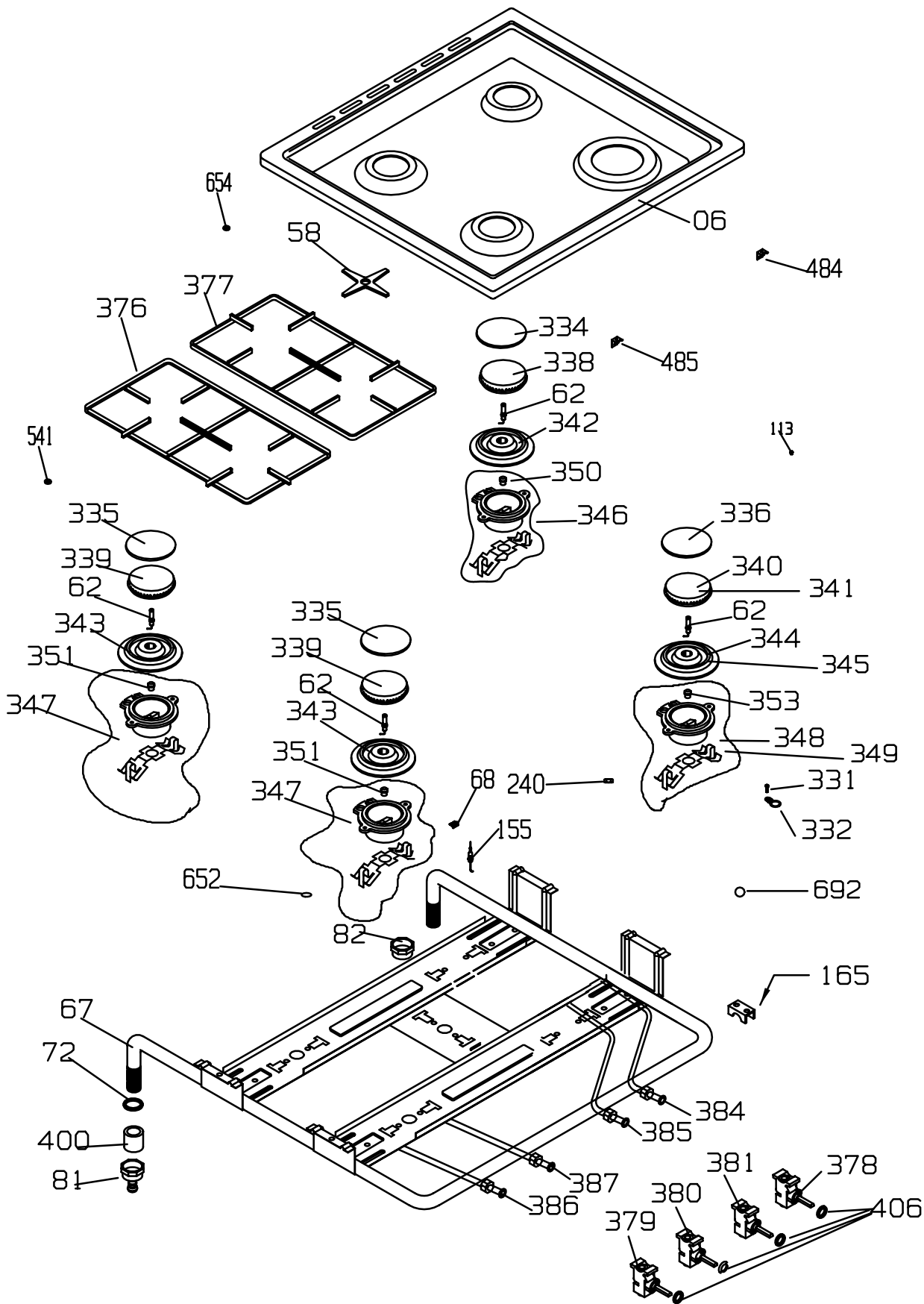


P701-1/ P702-1/ P703-1/ P720-1	
TARİH	17.09.2002
REV.	0

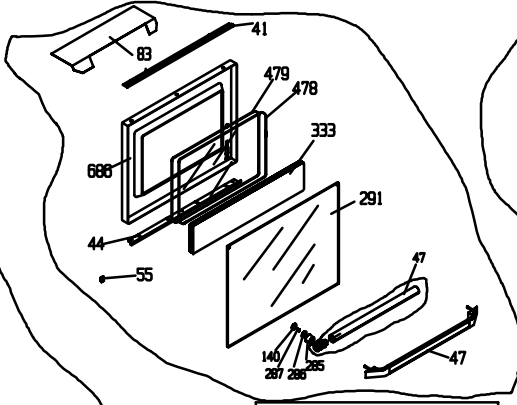
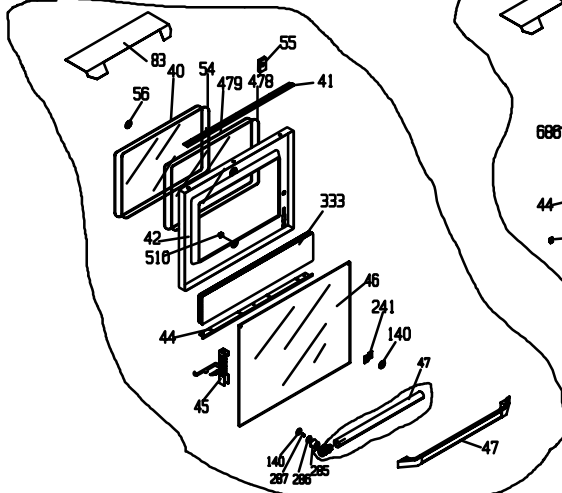


P701-2.2 / P702-2.2	
TARİH 27.06.2005	
REV.	2

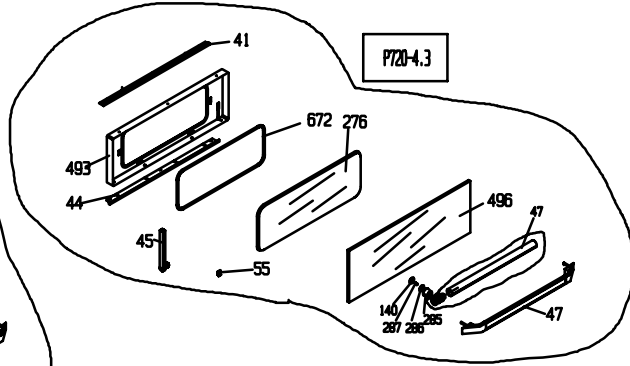


P701-3.2 / P702-3.2 / P703-3.11	
TARIH	06.04.2006
REV.	3

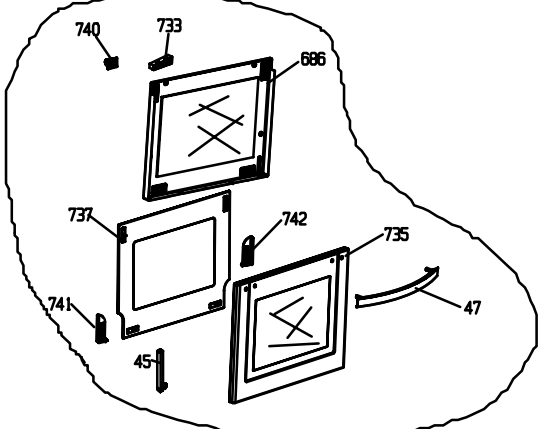
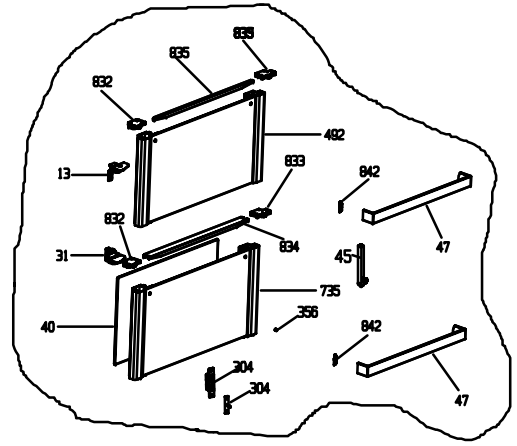
P701-4.1 / P702-4.1 / P703-4.1 / P720-4.1



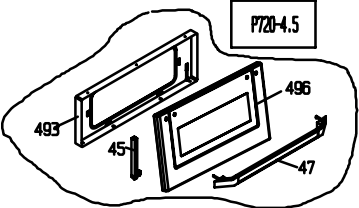
P701-4.2 / P702-4.2 / P703-4.2 / P720-4.2



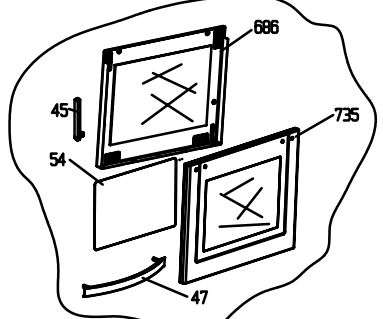
P720-4.3



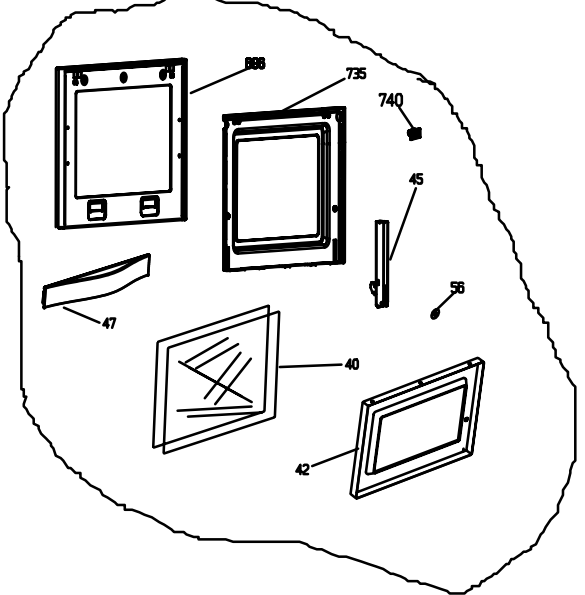
P701-4.3 / P702-4.3 / P703-4.3



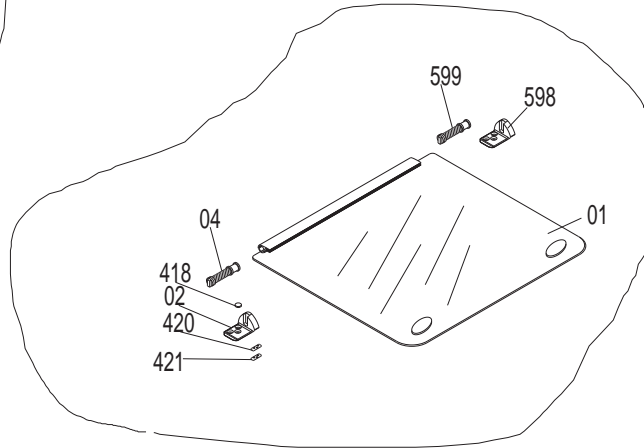
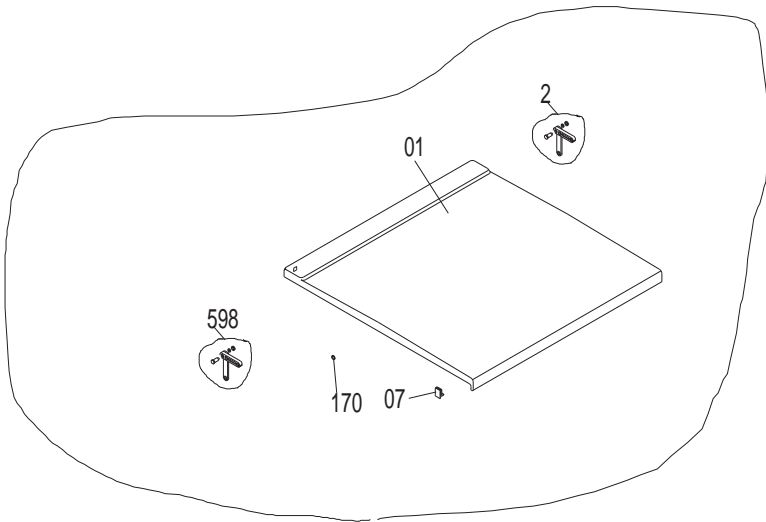
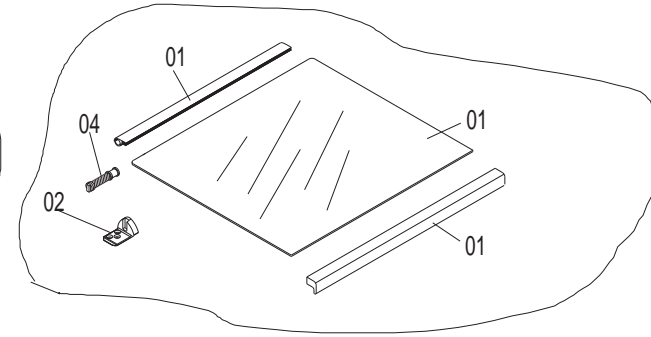
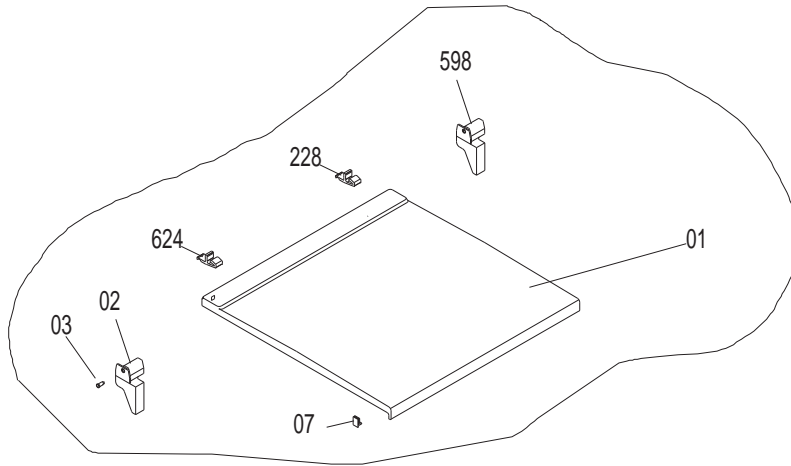
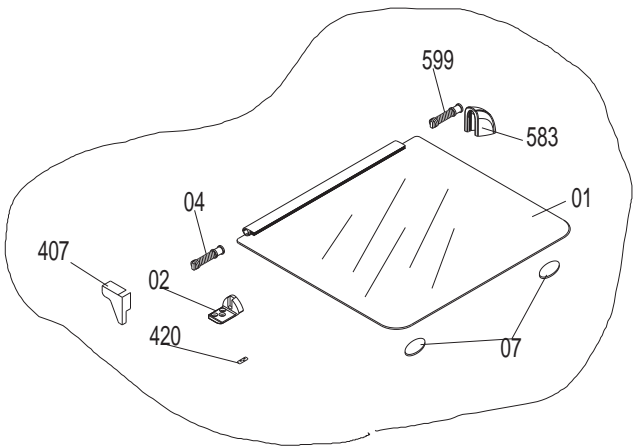
P720-4.5



P701-4.4 / P702-4.4 / P703-4.4 / P720-4.4

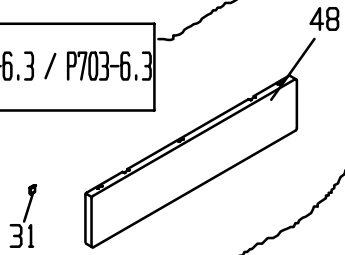


P701-4.1 / P701-4.2 / P701-4.3 / P701.4-4	
P702-4.1 / P702-4.2 / P702-4.3 / P702.4-4	
P703-4.1 / P703-4.2 / P703-4.3 / P703.4-4	
P720-4.1 / P720-4.2 / P720-4.3 / P720.4-4 / P720.4-5	
TARTH	16.11.2005
REV.	3

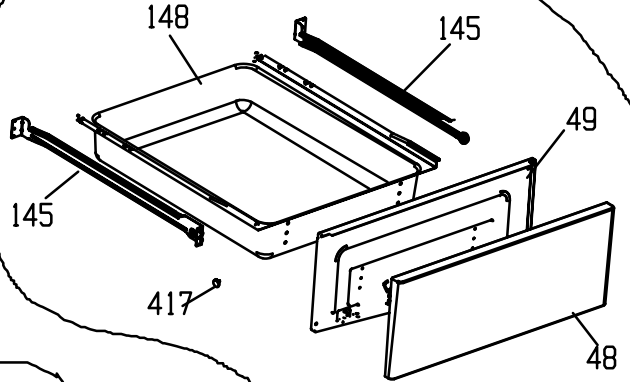
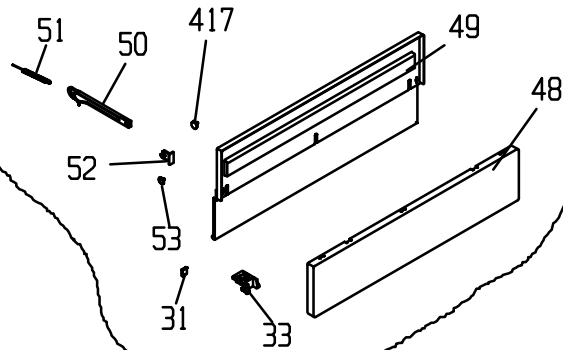


P701-5/ P702-5/ P703-5/ P720-5	
TARİH	17.09.2002
REV.	0

P701-6.3 / P702-6.3 / P703-6.3

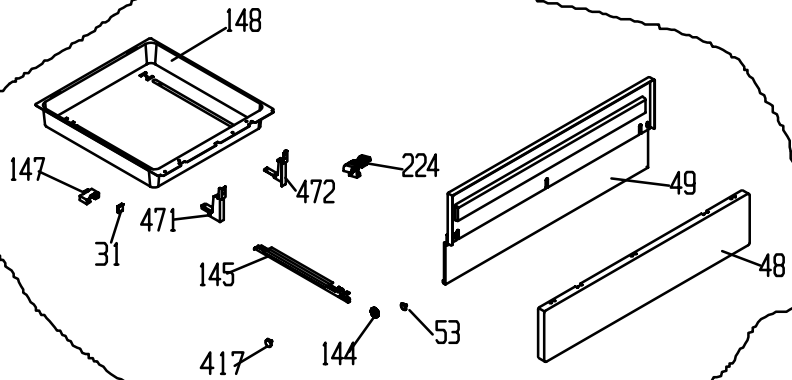


P701-6.2 / P702-6.2 / P703-6.2



P703-6.4

P702-6.1 / P703-6.1



681

49

33

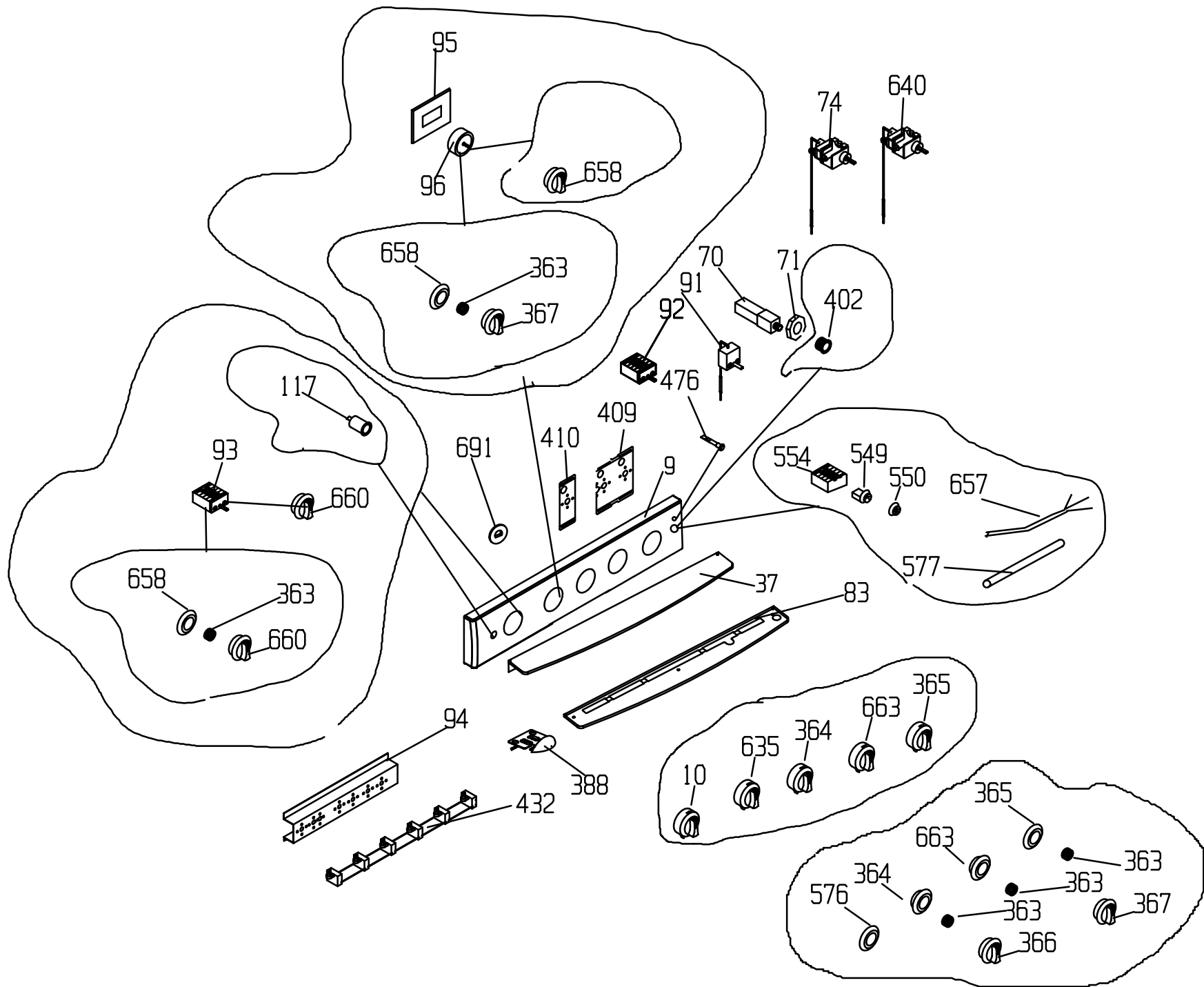
417

48

P702-6.4 / P703-6.5

P701-6.2 / P701-6.3
 P702-6.1 / P702-6.2 / P702-6.3 / P702-6.4
 P703-6.1 / P703-6.2 / P703-6.3/P703-6.4 / P703-6.5

TARİH	29.04.2005
REV.	2



P701-7.1 / P702-7.1 / P703-7-1	
TARIH	23.08.2005
REV.	2

Pos.	Référence	Désignation
1	A418110017	TOP LID.
109	A415311002	OVEN BURNER PROTECTION SHEET
11	A415100039	PROTECTION SHEET
110	A415311001	OVEN BURNER SIDE PROTECTION SHEE
111	A415311003	OVEN BURNER FIXING SHEET
117	A450920051	LAMB BUTTON DECOR*WHITE*
118	A460905203	CABLE GROUP*FRANSA FAR C 1530
119	A161900001	SD-2 SUPPLY CORD
12	A218100136	SIDE WALL - WHITE
14	A250100057	FOOT GROUP.
15	A415100037	BOTTOM PLATE
165	A415100017	Q 16 TAP CONNECTING PIPE CLIP
17	A215100125	FRONT DOOR HINGE HOUSING
19	A266100017	TERMINAL BLOCK (3 SOCKETS)
19	A466100003	TERMINAL BLOCK GROUP
2	A410110003	HINGE GROUP*RIGHT*SHEET TOP LID
20	A419311036	OVEN BODY
24	A410100001	FLUE
27	A440100001	GRILL SHELF
28	A419100001	TRAY
29	A455920002	BOTTOM DOOR U SEAL
30	A415110011	BACK SUPPORT
33	A415110013	BOTTOM LID SHEET HINGE
334	A219100029	BURNER CAP DECOR 1 KW
335	A219100030	BURNER CAP DECOR 2KW(REF NO 335
336	A219100031	BURNER CAP DECOR 2,5-2.9 KW
338	A223110002	BURNER CAP (REAR RIGHT)
339	A423100022	BURNER CAP 2KW (REF NO 339 FOR U
34	A150100004	CABLE TIGHTENER
340	A423110001	BURNER CAP
342	A223110007	BURNER HEAD (REAR-RIGHT) -1 KW
343	A223100086	2 KW BURNER HEAD (FRONT LEFT)
344	A223100085	2.5 KW BURNER HEAD
346	A423920009	BURNER GROUP *1 KW*
347	A423920008	BURNER GROUP 2KW (REF NO 347 FOR
348	A423920011	BURNER GROUP (2.5 KW)
350	A431100004	0.79 INJECTOR
350	A231100004	52 INJECTOR (1 KW-BUTANE GAS)
351	A231100003	73 INJECTOR (2 KW-BUTANE GAS)
352	A431100011	1.19 INJECTOR 2.5KW NG
352	A431100003	83 INJECTOR (2.9 KW-BUTANE GAS)
36	A489920002	COUNTER WEIGHT*RIGHT
363	A242100015	KNOB SPRING
364	A450910031	COMMUTATOR KNOB..
365	A450900066	TAP KNOB BOTTOM DECOR
367	A450920071	KNOB BODY (REF 367 FOR UK)
368	A218100138	WHITE SIDE PROFILE (LEFT)
369	A218100137	WHITE SIDE PROFILE (RIGHT)
370	A415110002	BURNER PLATE FIXING SHEET LEFT
371	A415110003	BURNER PLATE FIXING SHEET RIGHT
374	A265900012	OVEN LAMP 15 W-230 V
375	A265900001	SOCKET+GLASS
376	A419110028	PAN SUPPORT (RIGHT)
377	A419110027	PAN SUPPORT (LEFT)
378	A223100071	TAP R5 884-64154 0.32 LPG
379	A223100072	TAP 0.34 LPG (REF NO 379 FOR UK)
380	A231900034	SAFETY TAP CAL 20701 0.41 RAIL 2
381	A223100074	TAP 0.41 LPG (REF NO 381 FOR UK)
382	A421311001	OVEN FEEDING TUBE
384	A421110002	FEEDING TUBE (REAR RIGHT)
385	A421110001	FEEDING TUBE(FRONT RIGHT)
386	A421110004	FEEDING TUBE (REAR LEFT)
387	A421110003	FEEDING TUBE (FRONT LEFT)
40	A490100001	FRONT DOOR INNER GLASS
41	A418100060	FRONT DOOR UPPER TRIM- BLACK..
42	A419110002	FRONT DOOR INNER GROUP
45	A410110001	FRONT DOOR HINGE*2001*
46	A490900032	FRONT DOOR OUTER GLASS*CF41*
465	A258100051	SIDE PROFILE TOP PLASTIC-RIGHT
466	A258100052	SIDE PROFILE TOP PLASTIC LEFT

Pos.	Référence	Désignation
47	A458900017	50X60 HANDLE
473	A218100144	BURNER PLATE REAR FIXING SHEET-R
474	A218100145	BURNER PLATE REAR FIXING SHEET-L
48	A418110037	BOTTOM LID UPPER SHEET
50	A258100004	BOTTOM LID HINGE BRACKET
51	A242100009	BOTTOM LID SPRING
510	A179100029	M 4 ASSEMBLING NUT
52	A258100002	BOTTOM LID BRACKET HOUSING
549	A450920045	SWITCH BUTTON BODY
554	A463920002	ON/OFF LAMP SWITCH
56	A215100001	RONDELLA FOR INNER GLASS FIXING
58	A119100057	PAN ADAPTOR.
598	A410110134	HINGE GROUP*LEFT*SHEET TOP LID
6	A419110134	BURNER PLATE...
67	A410110020	Q16 MAIN GAS PIPE GROUP.
7	A258110059	TOP LID STOPPER
72	A255100012	NOZZLE SEAL
78	A410100033	OVEN BURNER GROUP
8	A250100003	TERMINAL BLOCK COVER
81	A133900003	HOSE NOZZLE LPG
81	A133900004	RUBBER HOLDER REF 1052 NG
82	A133900001	1/2 PLUG
84	A525100001	50X50 INJECTOR HOLDER
85	A515311003	INJECTOR HOLDER SHEET
86	A242100003	BURNER -SPARKING PLUG CLIP
87	A230311005	THERMOCOUPLE T100/609-1100 MM
9	A418905228	DECORATIVE PANEL