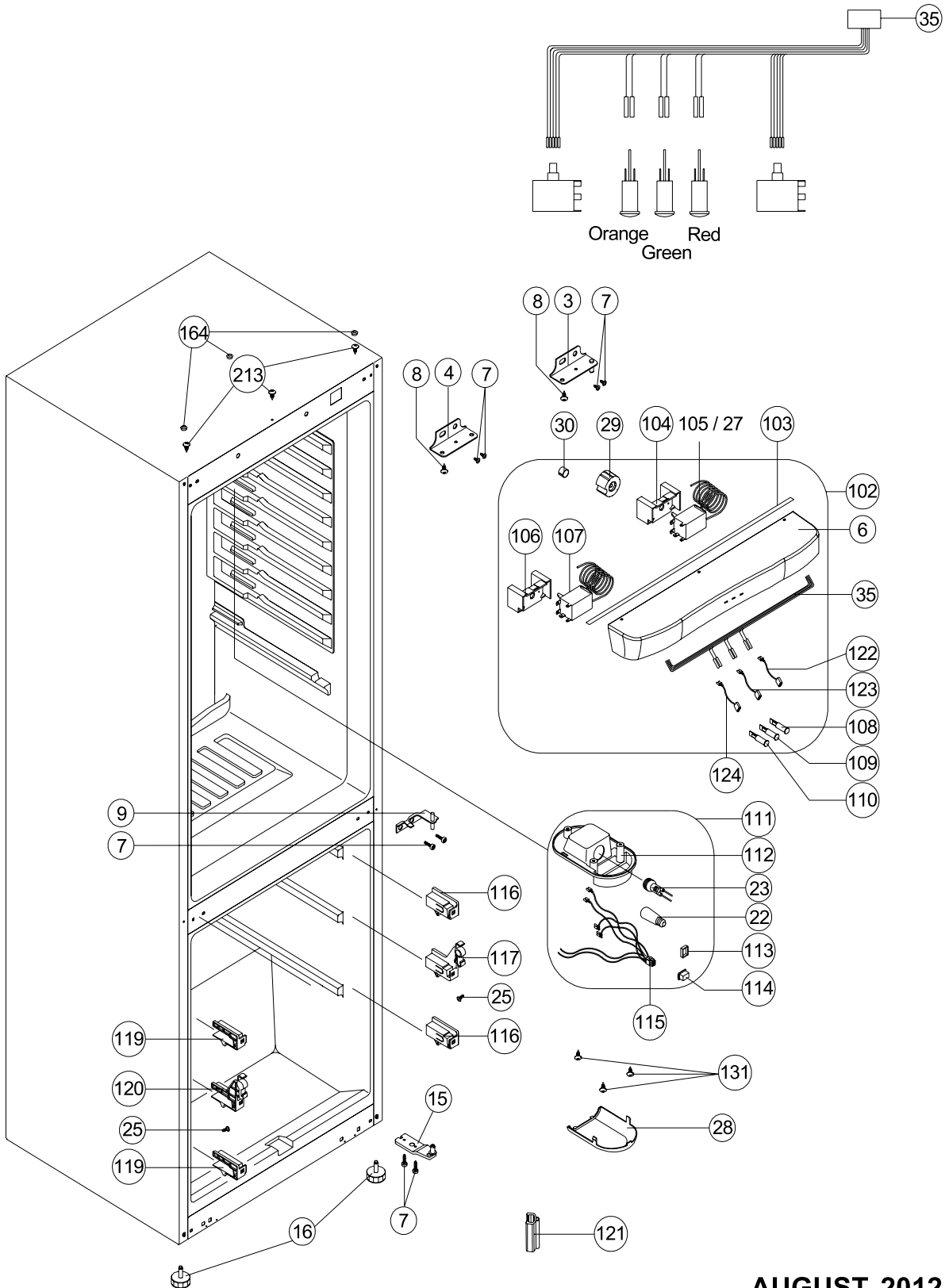
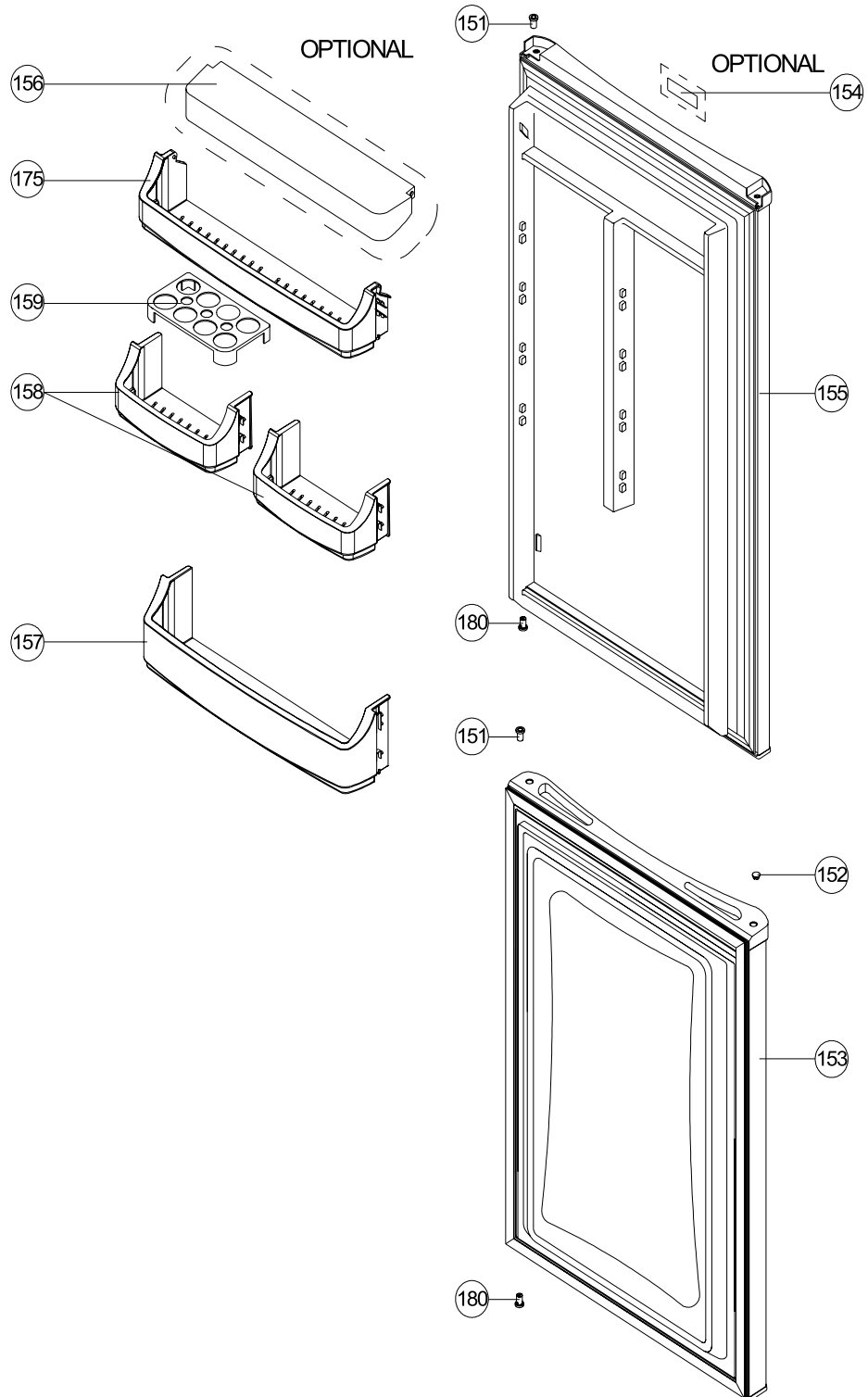


NOTE : On this exploded view, standard accessories drawings are used. According to your product, some changes may be made on the accessories.

AUGUST 2012

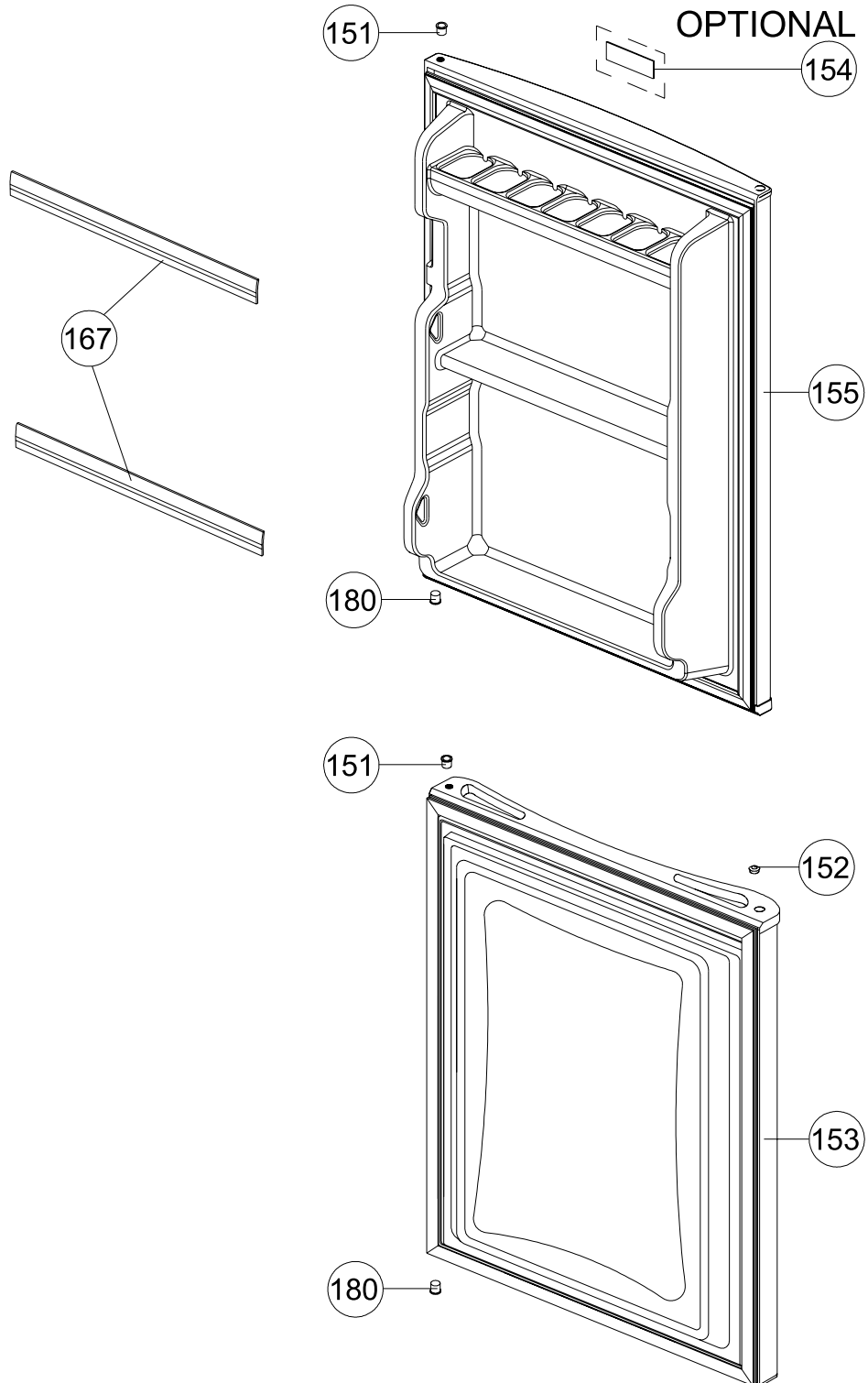


WITH SHELF DESIGN



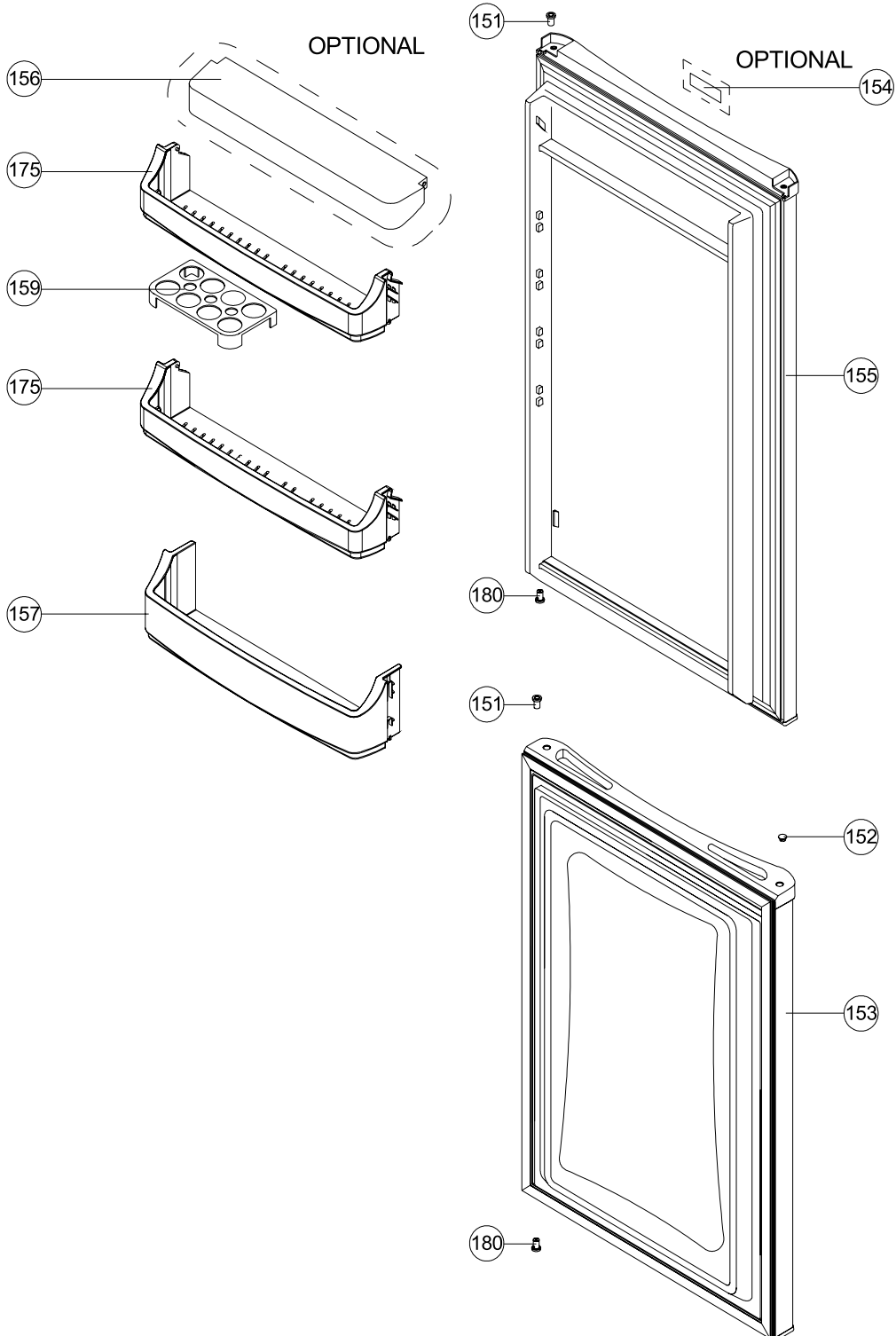
AUGUST 2012

FIX DOOR DESIGN



AUGUST 2012

FULL WIDTH DESIGN



AUGUST 2012

