

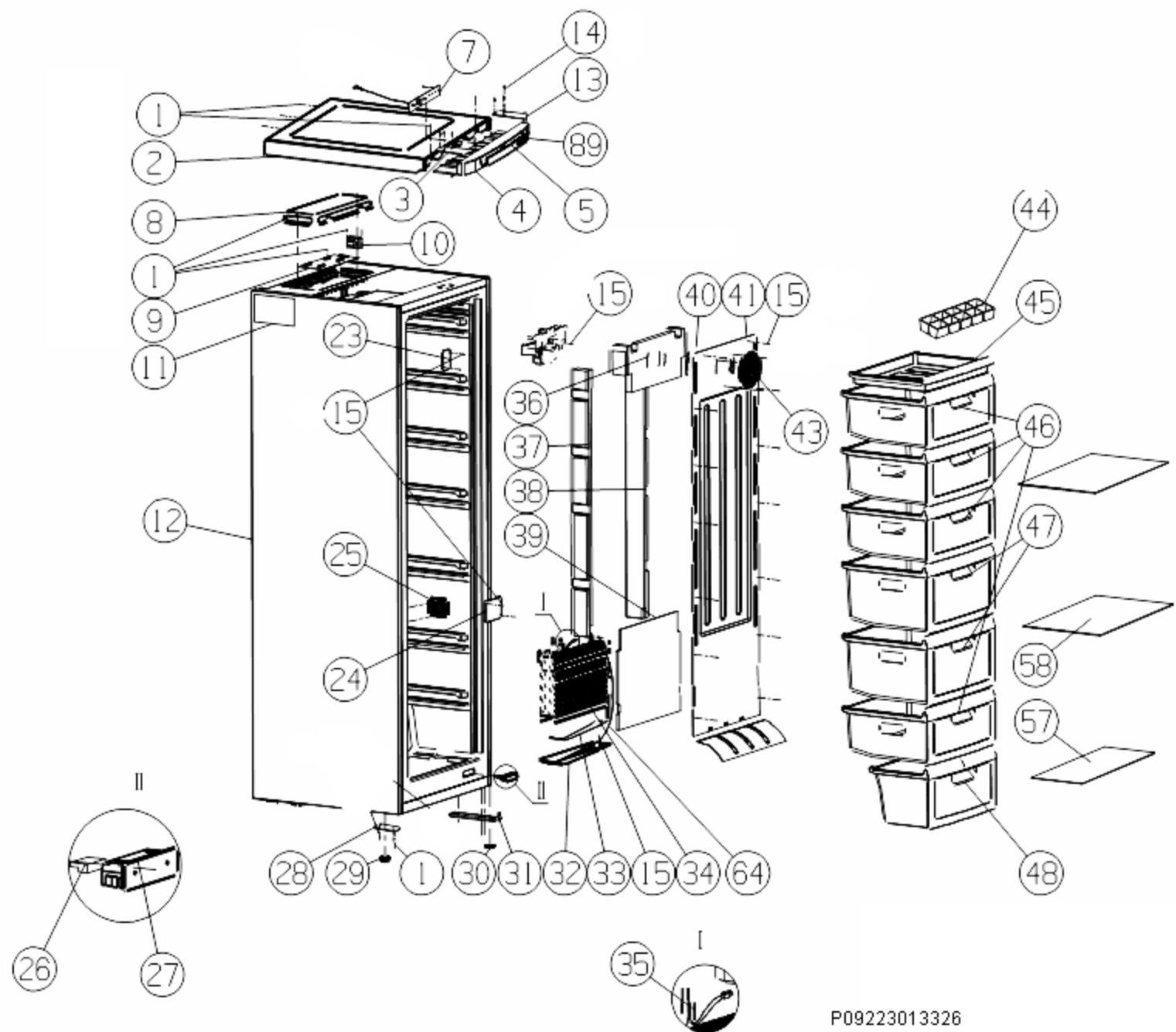


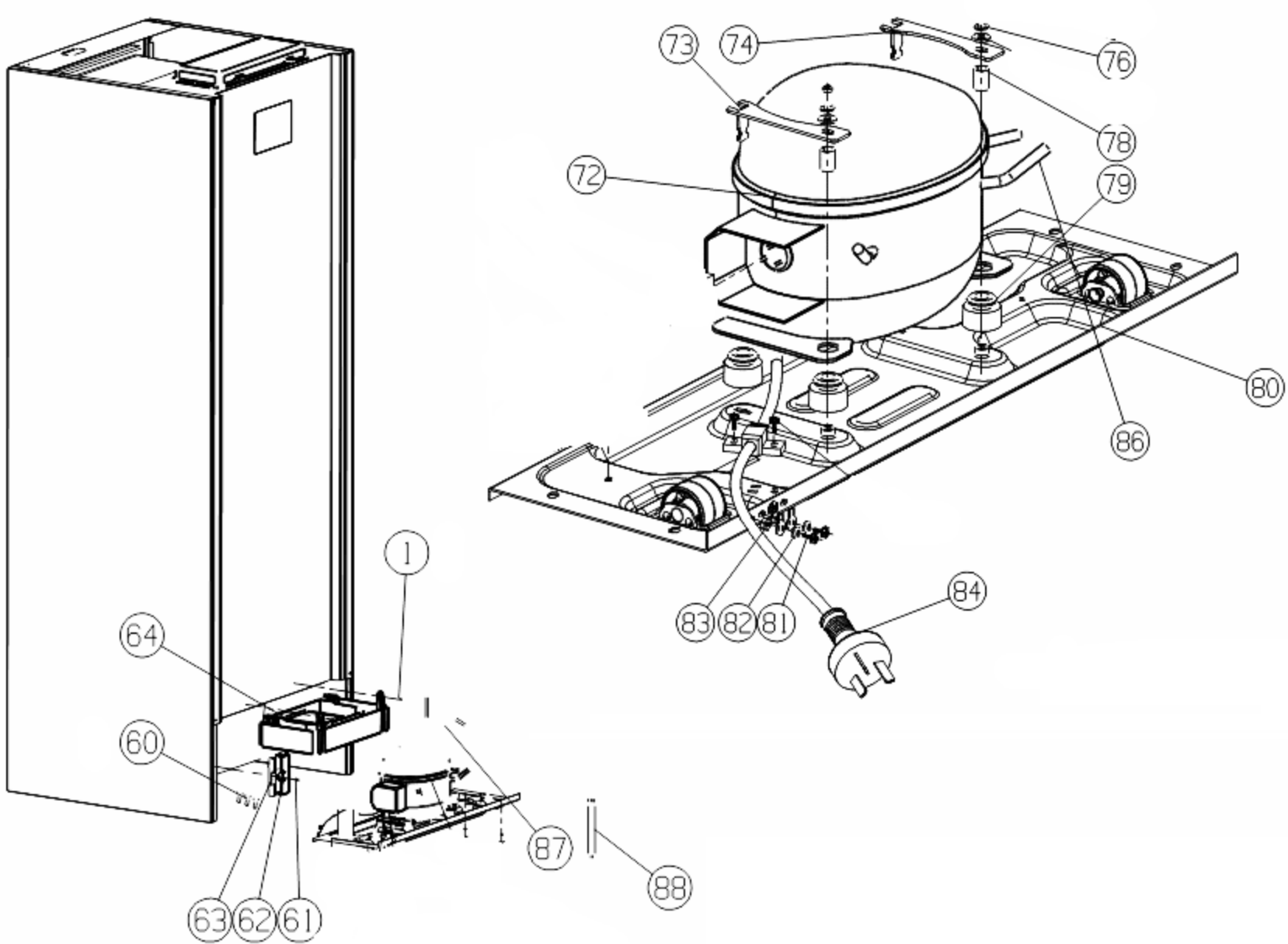
20

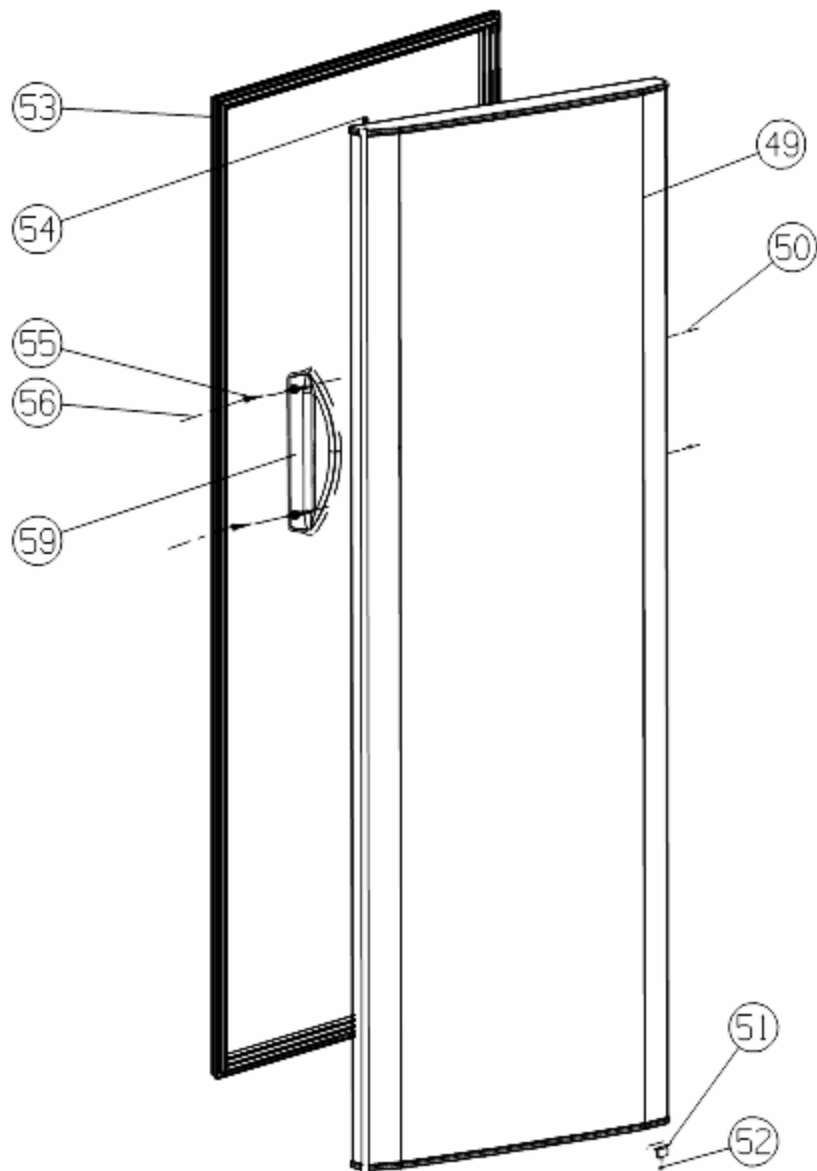
The diagram shows a technical drawing of a mechanical assembly. On the left, a rectangular component with a central slot and a protruding shaft is shown. A line connects this component to a circular callout labeled '20'. On the right, a fan-like component with three curved blades is shown. A line connects this component to a circular callout labeled '17'.

17

P09223013329







P09223013328