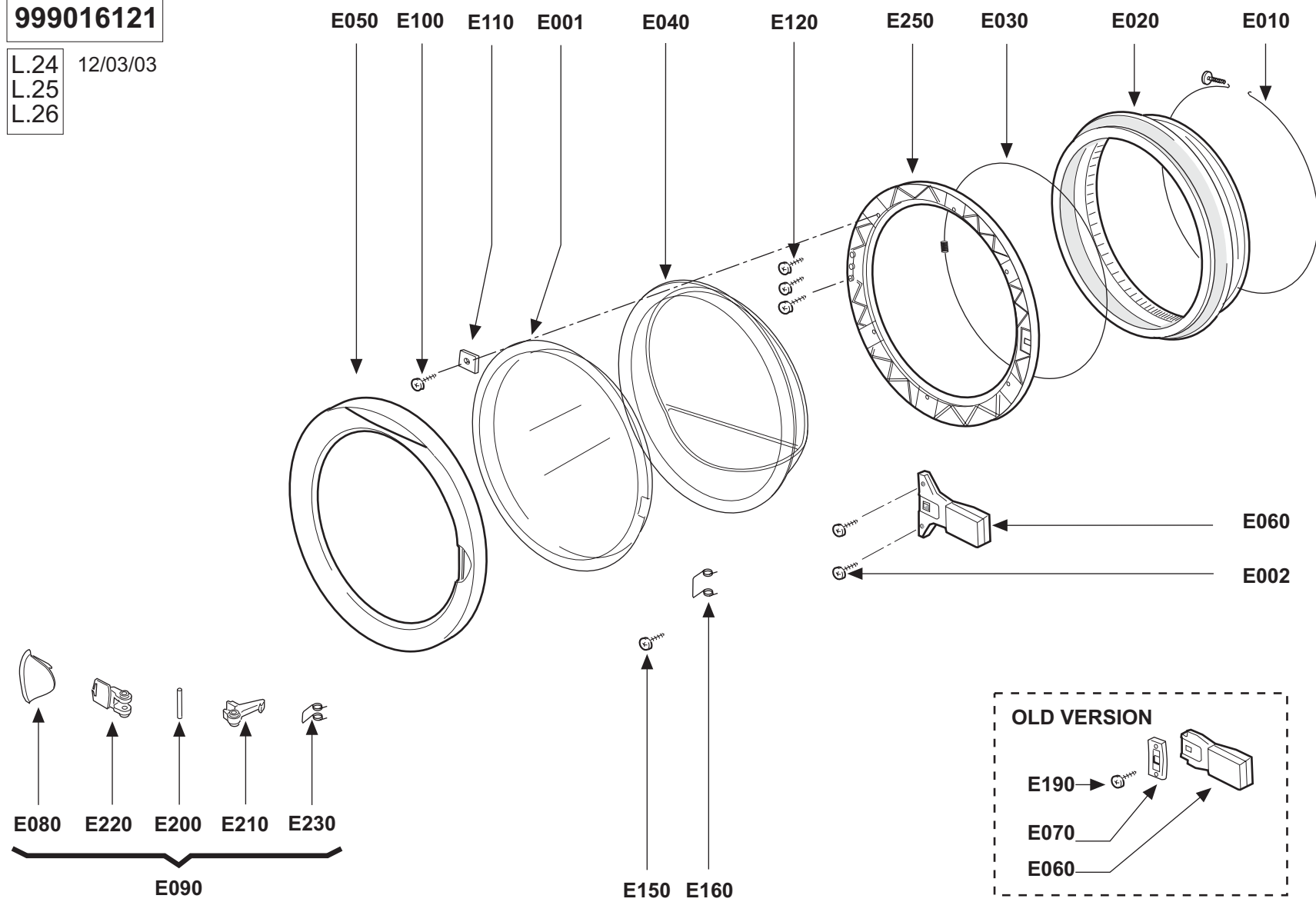
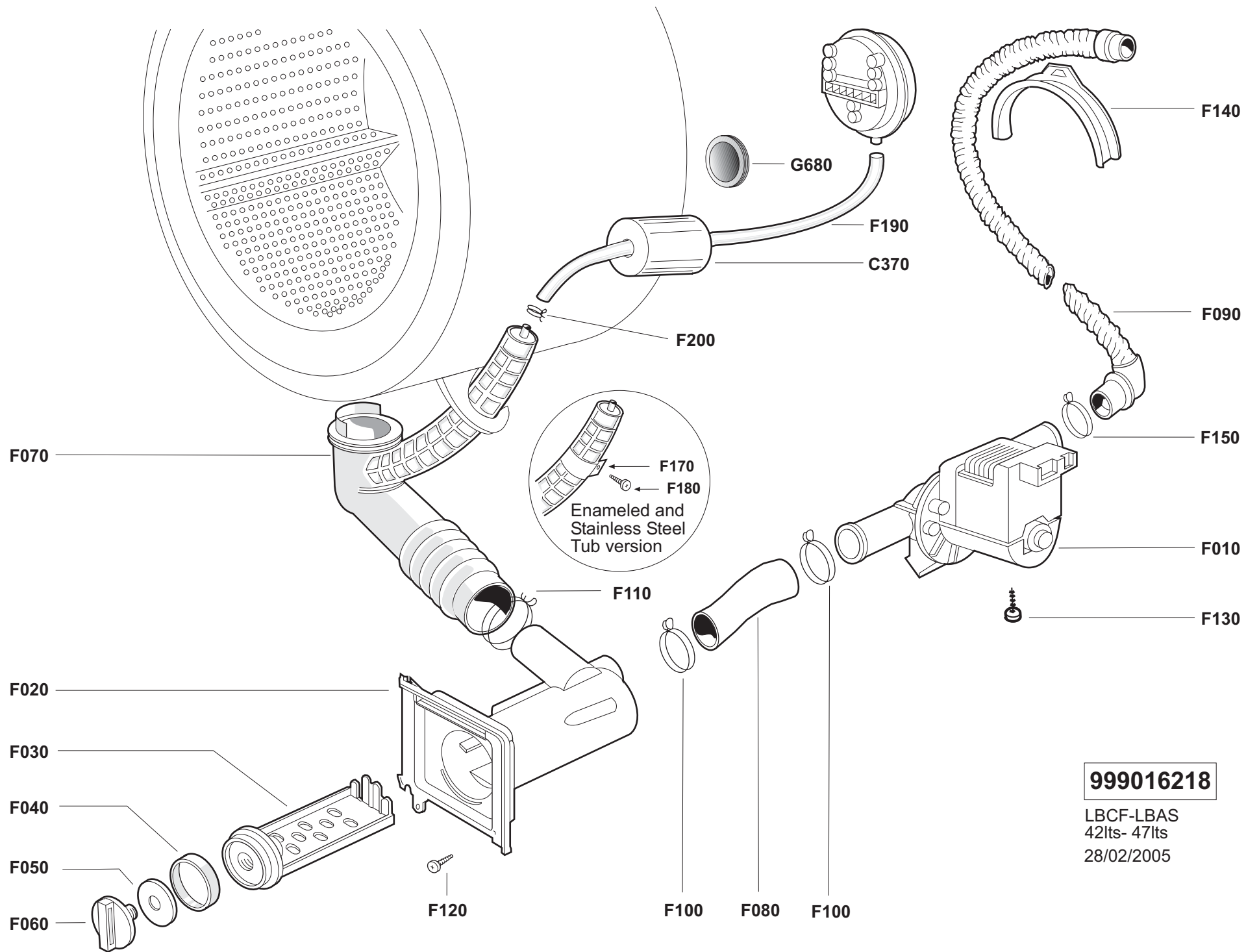


999016121

L.24 12/03/03
L.25
L.26





999016218

LBCF-LBAS
 42lts- 47lts
 28/02/2005

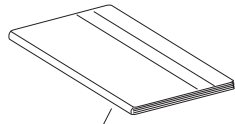
999016228

SHRINK PACKING FREE-STANDING

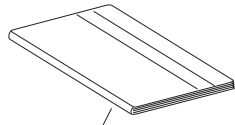
14/09/2006

Z290

Z310



Z330
INSTRUCTIONS
FOR USE

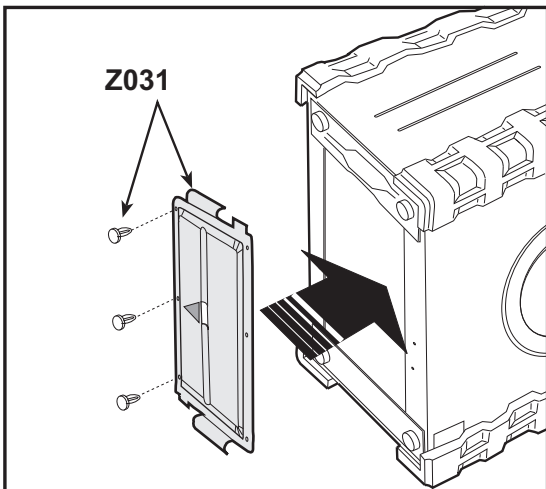


Z025
TECHNICAL DATAS
BOOKLET

Z300

Z024

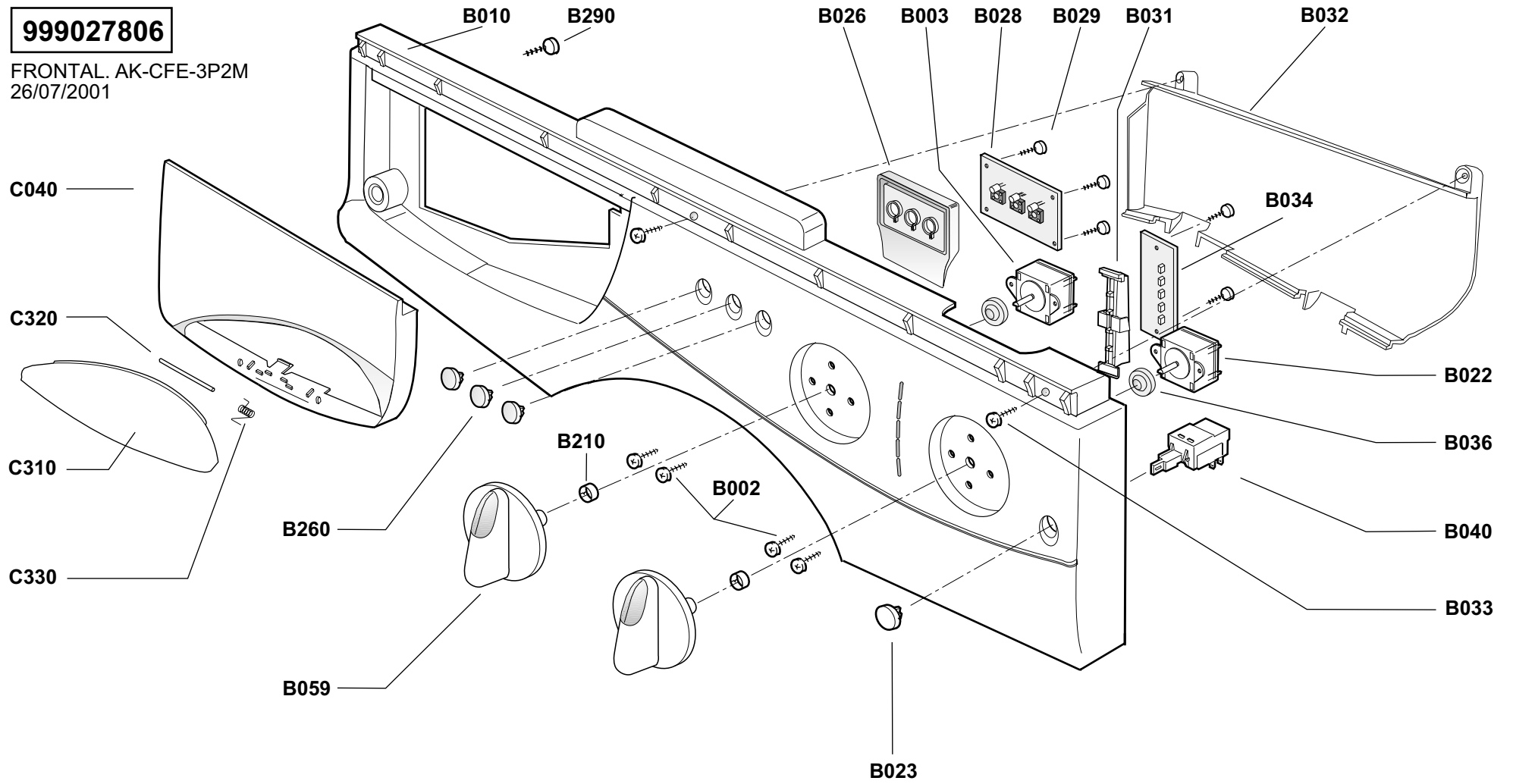
Z280

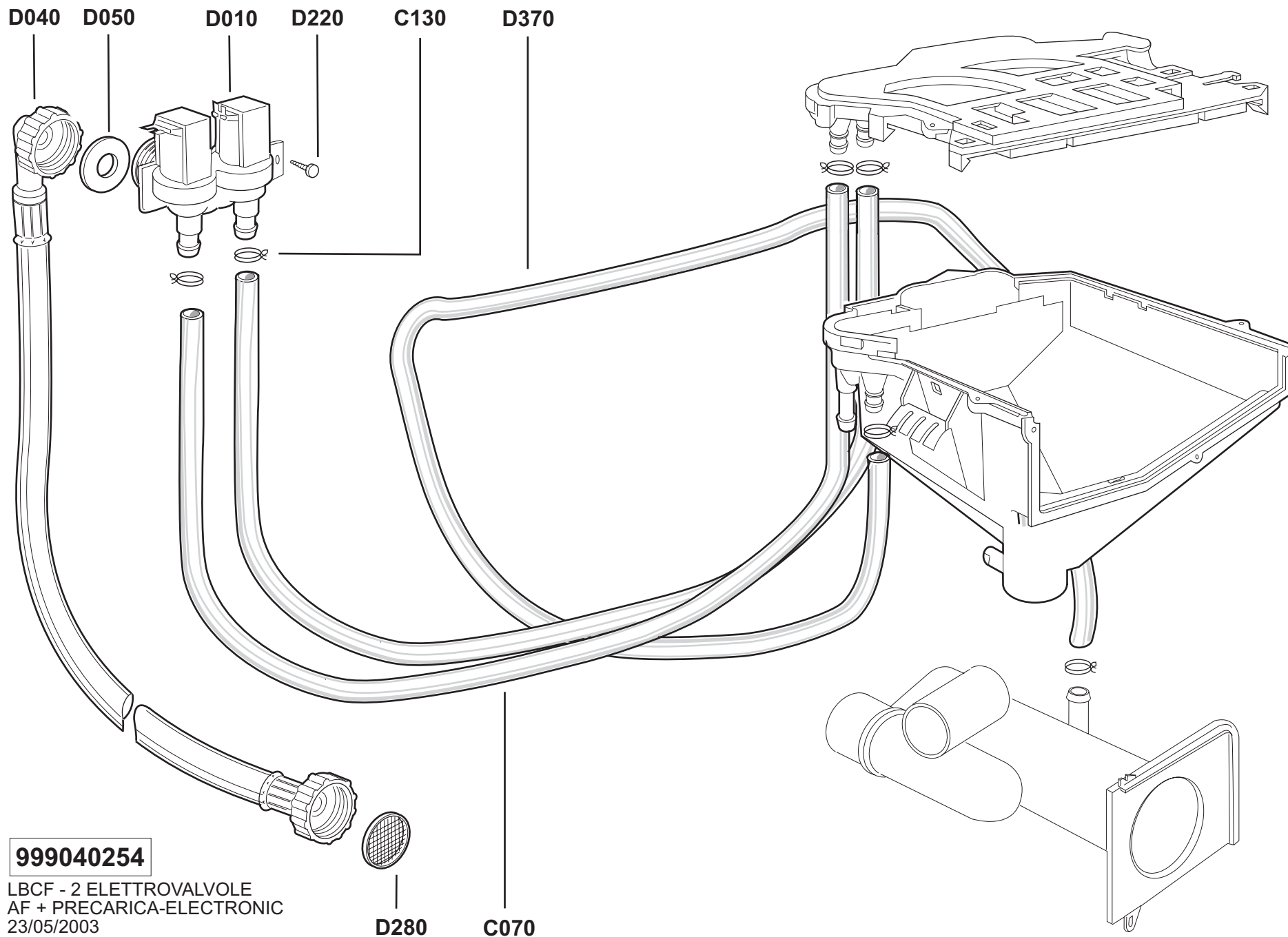


**Used only for Washing Machines
33 and 39 cm depth**

999027806

FRONTAL. AK-CFE-3P2M
26/07/2001



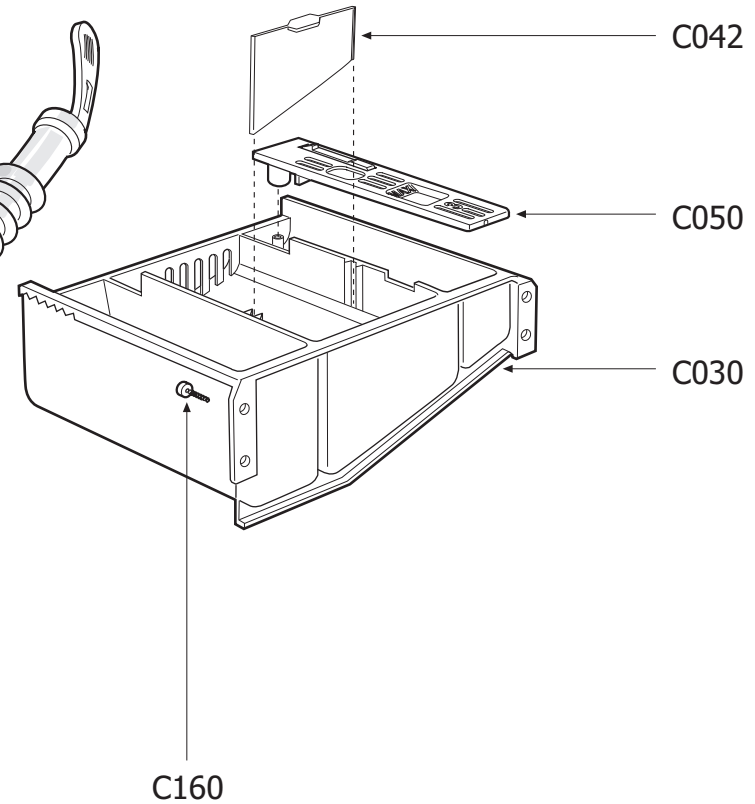
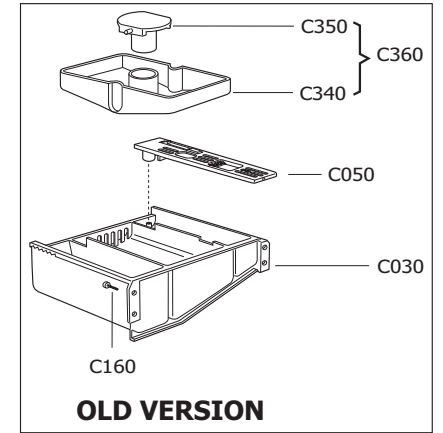
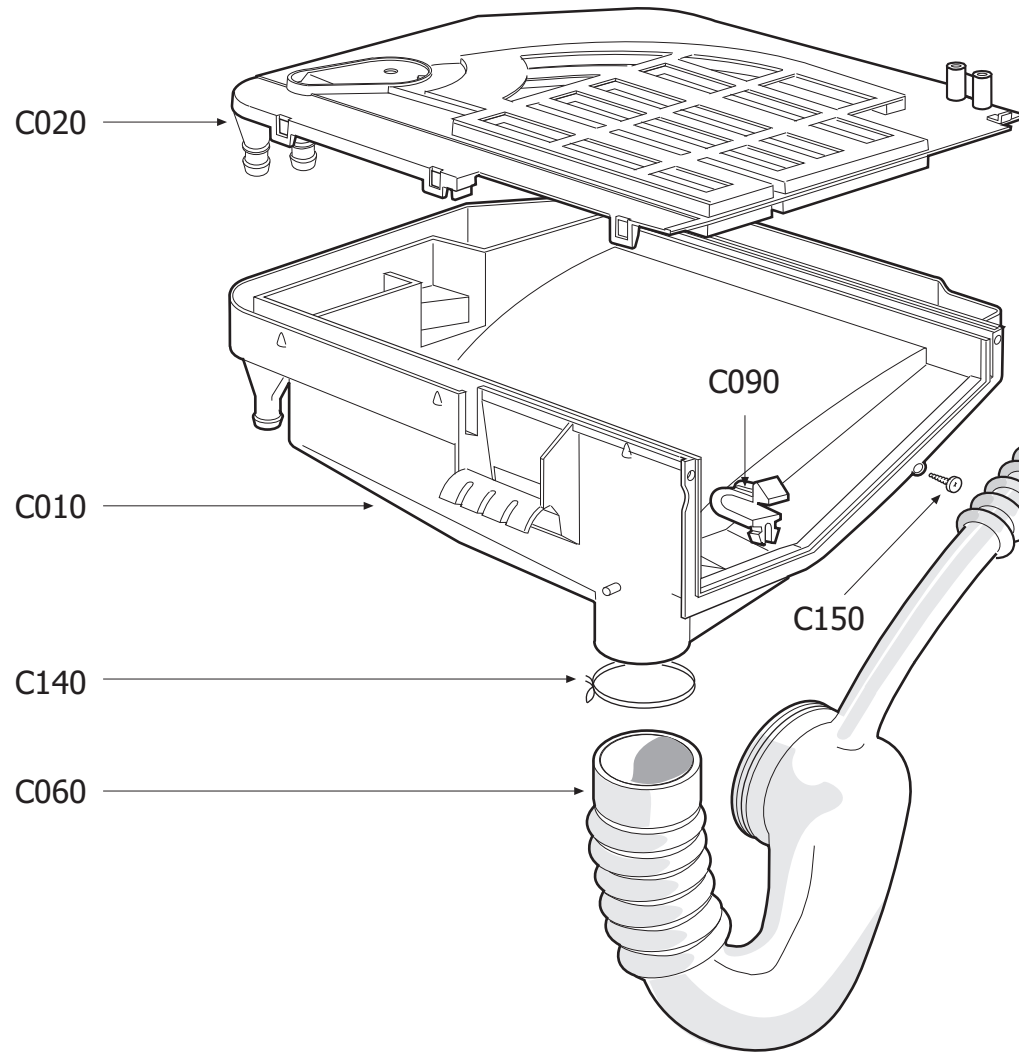


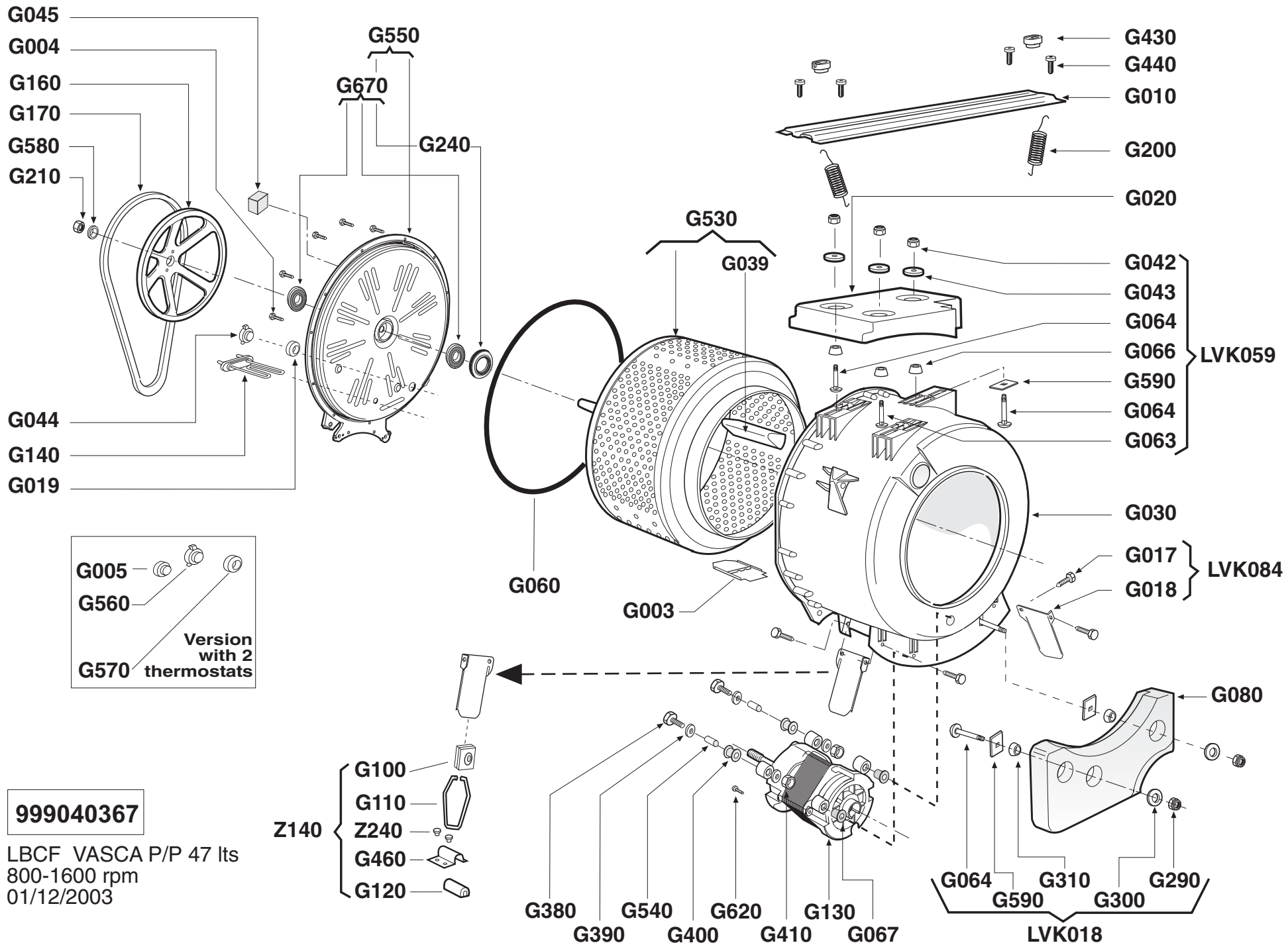
999040254

LBCF - 2 ELETTROVALVOLE
 AF + PRECARICA-ELECTRONIC
 23/05/2003

999040364

CFE with 2 Water Valve
30/07/2008





999045206

LB-CFE 47lt PP
Panel "T"
09/06/2008

