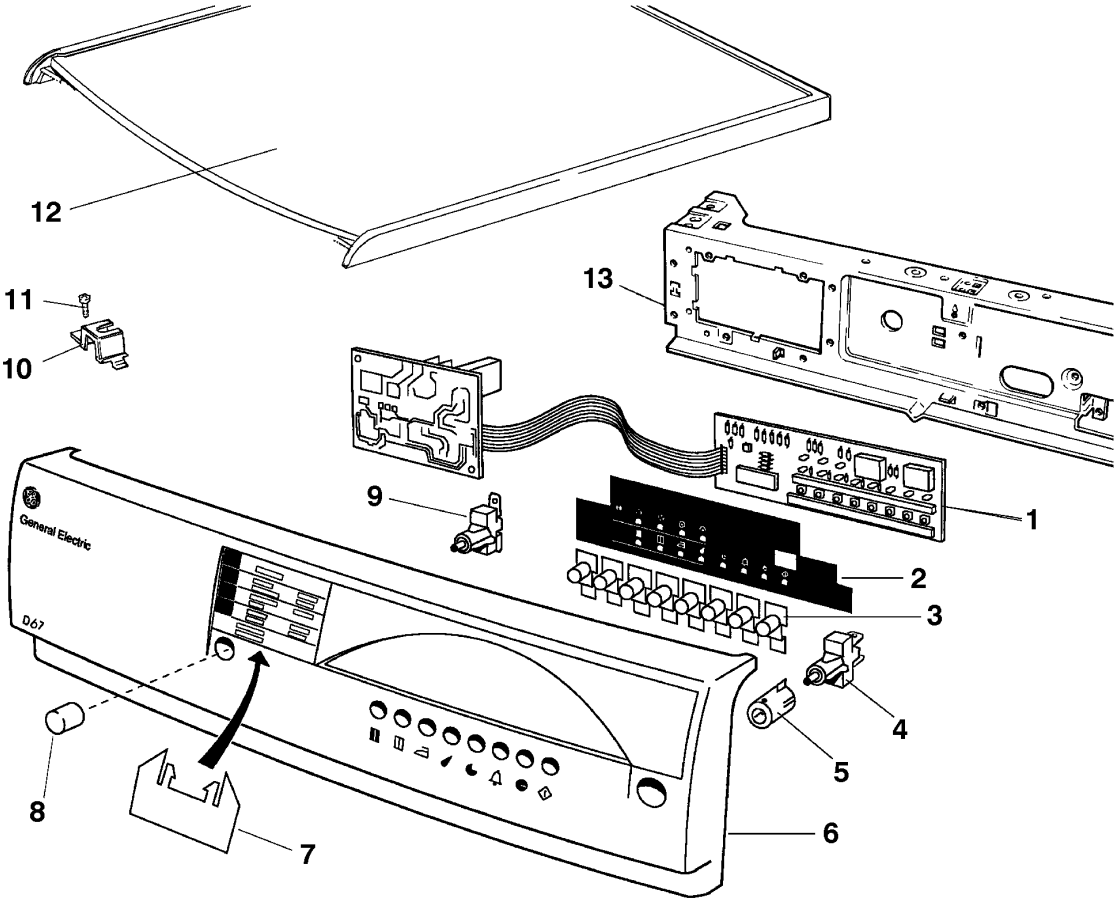


Item	Part No	Description
001	1701054	CONTROL
001	9900126	SCREW NO 4 3/16 P.PA
002	1701381	DISPLAY INSERT GE
003	1701380	OPTION BUTTON GE
003	1701417	OPTION BUTTON GREY
004	1701400	SWITCH
005	1602611	ON/OFF BUTTON
006	1701382	CONSOLE PANNEL & WINDOW
006	998700007	SCREW
007	1701453	LANGUAGE CARD PACK
007	1602756	PROGRAM CARDS-1 SET
008	1602610	OPTION BUTTON
009	1701334	SWITCH - HEAT
010	1602428	TOP COVER FIXING BRACKET - L/H
010	1602440	TOP COVER FIXING BRACKET - R/H
011	X245681	SCREW
012	1602609	TOP COVER ASM
013	1701346	CONSOLE BACKPLATE
013	9980148	SCREW
013	X245681	SCREW
013	9980451	SCREW NO 8X3/8
999	6100898	SCREW
999	1701393	TOP COVER REAR BRCT.

CONSOLE PANEL

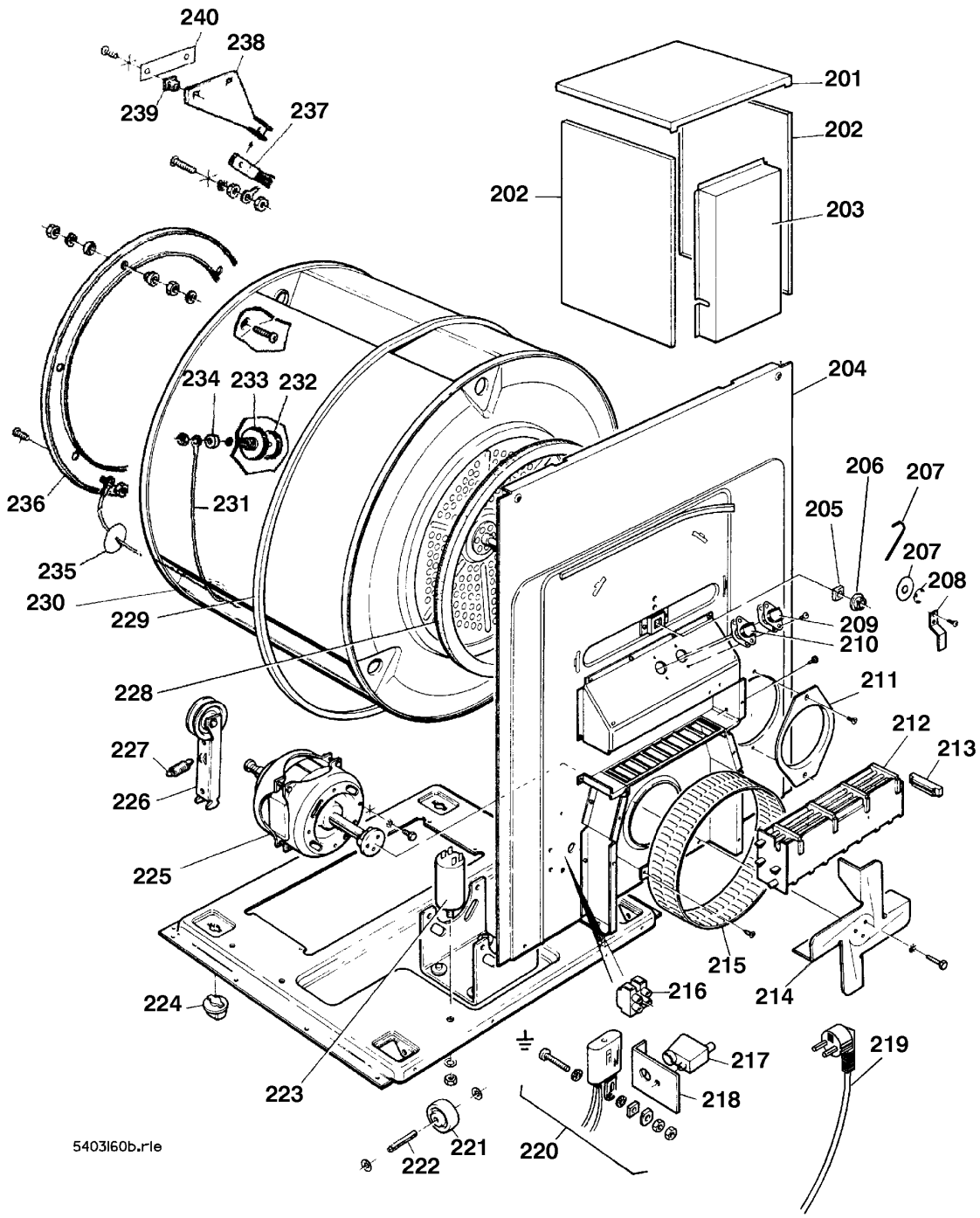


/td/5403160a.rle

Item	Part No	Description
016	1602577	LOWER FRONT MOULDING
017	1701335	KICKSTRIP BACKPLATE
018	9900158	SCREW - DOOR LATCH COVER
019	1602475	DOOR LATCH COVER
020	1602474	HINGE SUPPORT
021	1602473	DOOR HINGE
021	990205177	SCREW
022	1701884	FRNT PAN & SEAL&DUCT
023	1700154	FILTER
024	1700451	AIR DUCT
025	1740668	INSULATOR
025	1700441	THERMOSTAT
026	X378428	MICROSWITCH
027	1701330	MICROSWITCH LEVER
028	1740906	MICROSW LOCATOR
029	1701333	SPRING MICRO SW LEV
030	1701153	MICROSWITCH & BRACKET ASM
031	1602616	DOOR OUTER TRIM
032	1700454	DOOR BOWL
033	1602617	DOOR TRIM-INNER
033	99025177	NO PART DESCRIPTION AVAILABLE
034	1602638	HINGE BEARING TOP
035	1602614	HINGE COVER
036	1602637	HINGE BEARING BOTTOM
037	1602462	DOOR LATCH
038	1602636	HANDLE SPRING
039	1602619	DOOR HANDLE
039	1602618	DOOR HANDLE PAD
040	9900157	CIRCLIP (PIVOT PIN)
040	1602463	LATCH PIVOT PIN
041	530DDE6702	USER INSTR.DDE6702
999	X245608	SIDE PANEL WH -219

Item	Part No	Description
201	X409702	SCREW
201	1602609	TOP COVER ASM
202	X245681	SCREW
202	X245608	SIDE PANEL WH -219
203	1700458	OUTER BACK PANEL
203	X245681	SCREW
204	1701345	INNER REAR PANEL
204	X245681	SCREW
205	X245647	REAR BEARING
206	X245646	SHAFT COLAR
207	X245645	DRIVE PIN
207	1701527	E CLIP
207	9900182	FLAT WASHER
208	X245644	EARTH STRIP
208	9800009	ELECTRICALLY CONDUCTIVE GREASE
208	X409512	SCREW
209	1741124	1 SHOT CUT OUT (109C)
210	1740668	INSULATOR
210	X409512	SCREW
211	X245648	AIR DUCT RETAINING PLATE
211	9980970	SCREW 6X1/2"
212	1700880	ELEMENT ASSM
213	1740916	ELEMENT LOC. CERAMIC
213	X409512	SCREW
214	1700981	IMPELLER
214	9900112	SCREW M5 X 8 MM TAPTITE
215	1741121	IMPELLOR SHROUD
215	X245681	SCREW
216	1741018	2 WAY TERMINAL BLOCK
216	9900106	SCREW NO. 4 X 3/4
217	992043043	CABLE CLAMP
217	9980433	SCREW NO. 7 X 1
218	1740402	BRACKET - CABLE CLAMP
218	X245681	SCREW
219	1740778	MAINS LEAD & PLUG
220	9980509	CUP WASHER
220	9980781	NUT M4
220	1740650	SUPPRESSOR
220	160142	WASHER
220	9980510	WASHER M4
221	X245653	WHEEL
222	X245652	WHEEL AXLE
223	X245592	CAPACITOR
223	981146	NUT M8
224	179267	FOOT
225	1700994	MOTOR 318
225	9900112	SCREW M5 X 8 MM TAPTITE
226	X245677	JOCKEY WHEEL & BRACKET
227	1740909	JOCKEY WHEEL SPRING
228	981027	ADHESIVE
228	1700856	DRUM REAR SEAL
229	1700442	BELT
230	1700751	DRUM ASSEMBLY
231	1700761	SENSOR LINK
232	1700298	SENSOR
232	1740385	SENSOR HEAD
233	1740386	SENSOR HOLDER
234	9900047	SENSOR HOLDER
234	1740387	SENSOR SUPPORT
235	1740389	DRUM FRONT GROMMET
236	9900040	PECKER UNIT FIX SCREW
236	995204123	SCREW
236	1740383	SENSING STRIP INSUL.
236	9900047	SENSOR HOLDER
236	160142	WASHER
237	9981015	M4 REC PAN HD SCREW
237	9980781	NUT M4
237	1700762	SENSOR BRUSH
237	160142	WASHER
238	1701379	BRUSH & SUPPORT ASSY
240	9980232	FASTEX NUT
240	1740804	INSULATING STRIP

REAR PANEL, BASE & DRUM



5403160b.rle