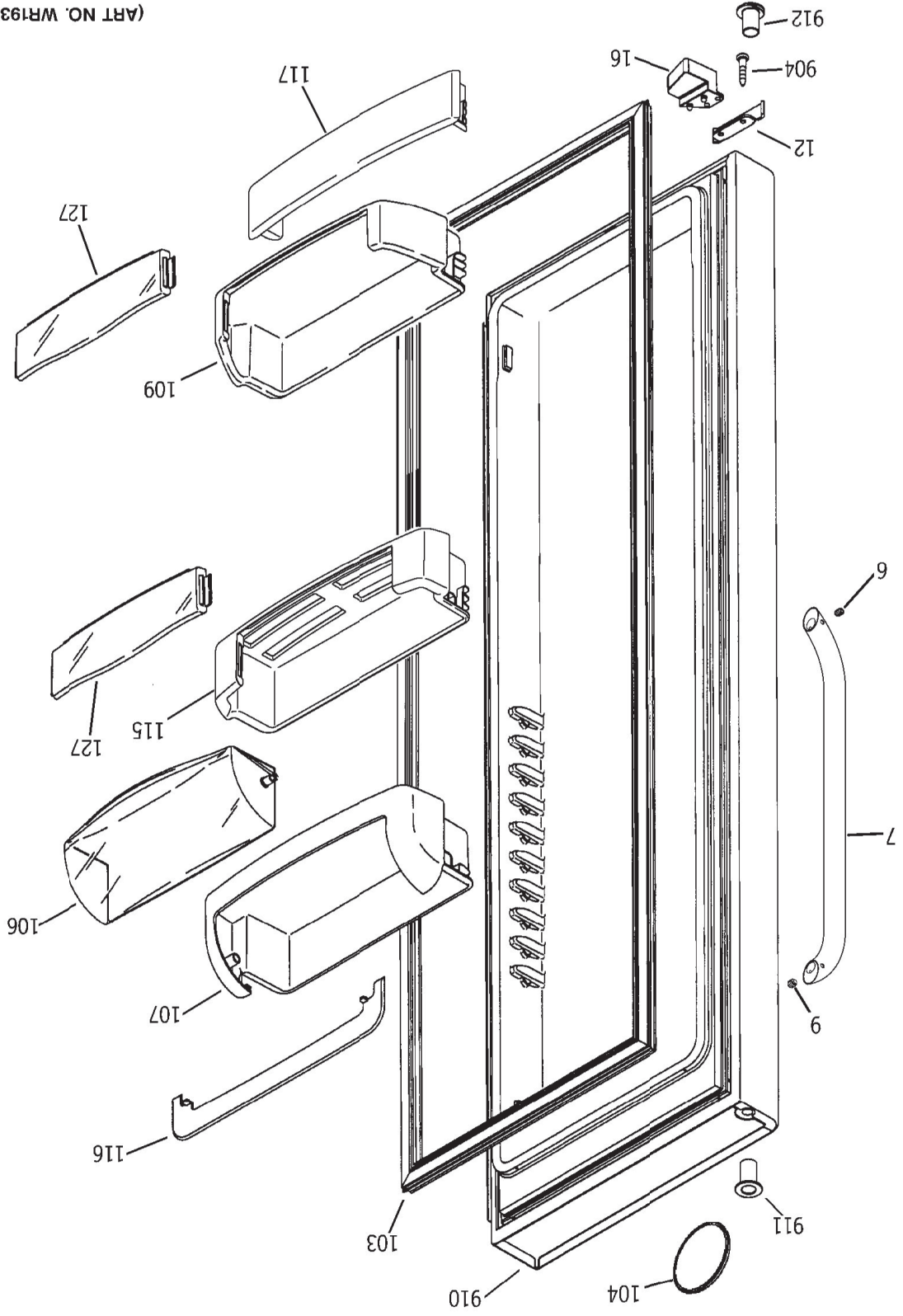
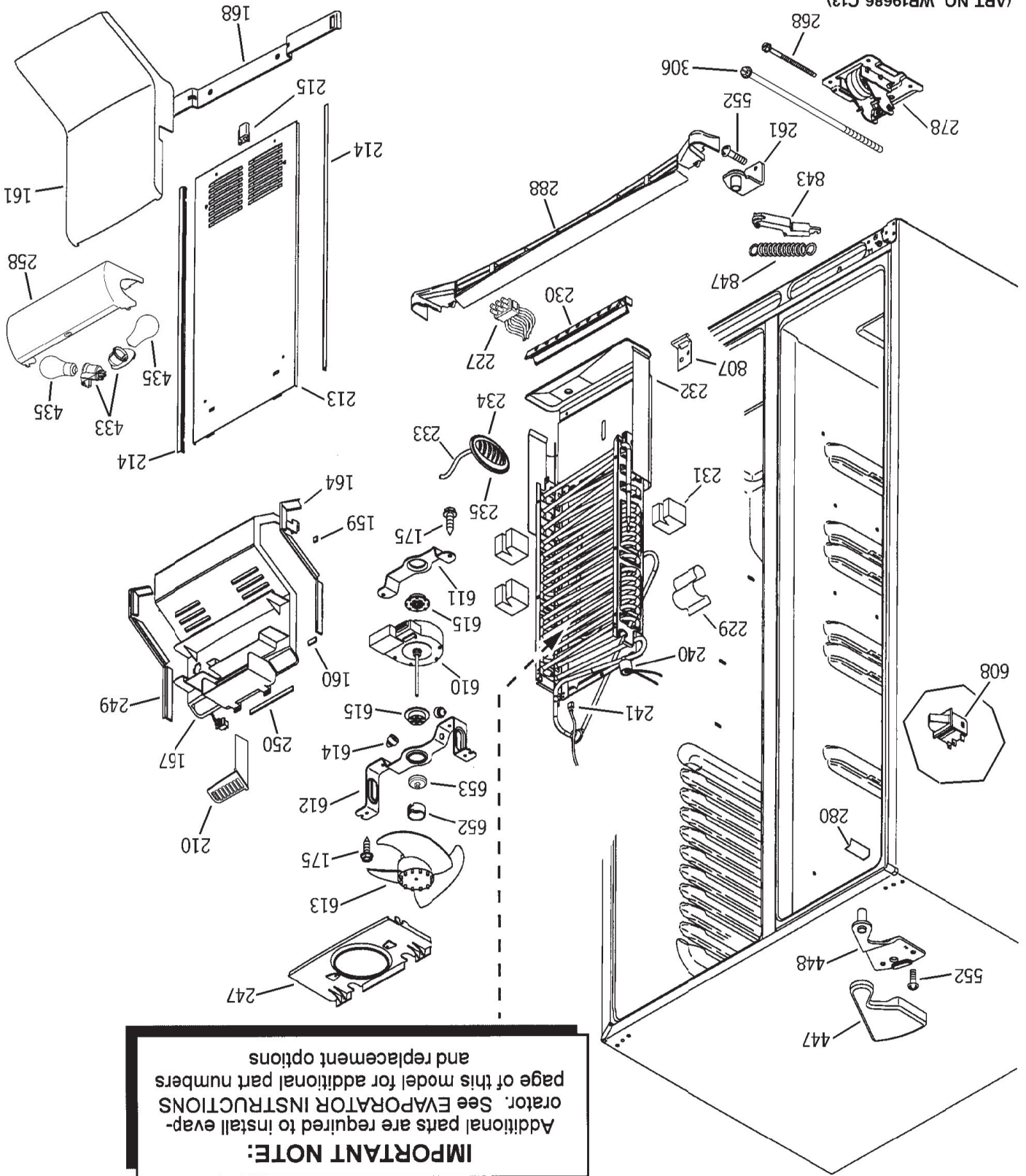


(ART NO. WR19394 C3)





IMPORTANT NOTE:
Additional parts are required to install evaporator. See EVAPORATOR INSTRUCTIONS page of this model for additional part numbers and replacement options

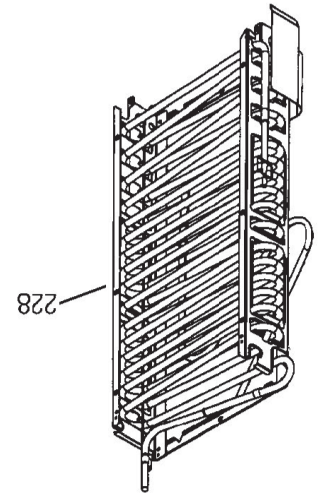
The heat shield kit is used to prevent damage to the refrigerator liner when brazing the evaporator into the sealed system. Refer to the instructions included in the heat shield kit. The kit comes with enough heat absorbing paste, solder and tape to complete four repairs.

HEAT SHIELD METHOD

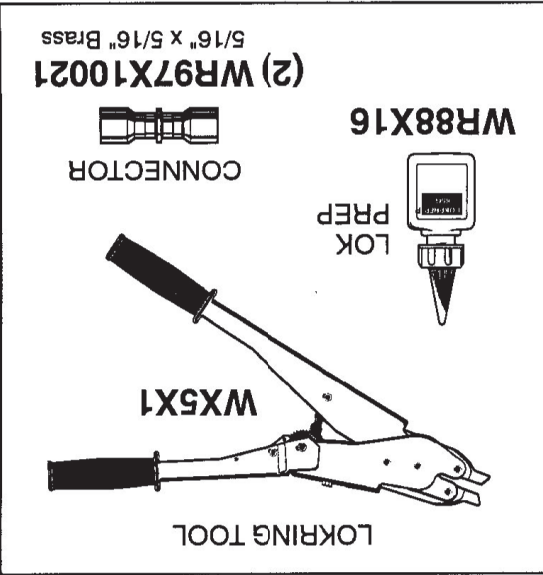
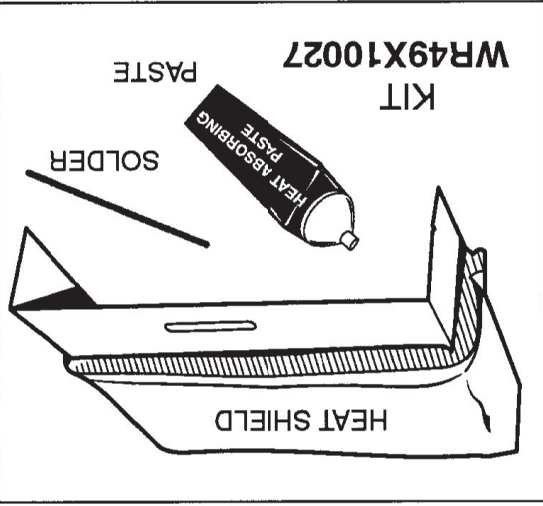
For additional information on how to use LokRling®, call 1-800-848-7722 & order publication # 31-9067 (LokRling repair procedures manual) and publication # 31-9066 (Lokring repair procedures VHS video tape).

LokRling® is a method of installing the evaporator in the freezer without the use of a torch. It utilizes a mechanical connection rather than a brazed connection. Apply a few drops of LokRep (a special cleaning and sealing solution), to the ends of the tubing that you wish to join together. The LokRling® tool compresses the connector to ensure a tight mechanical connection. The parts shown to the right are required for the LokRling® replacement method.

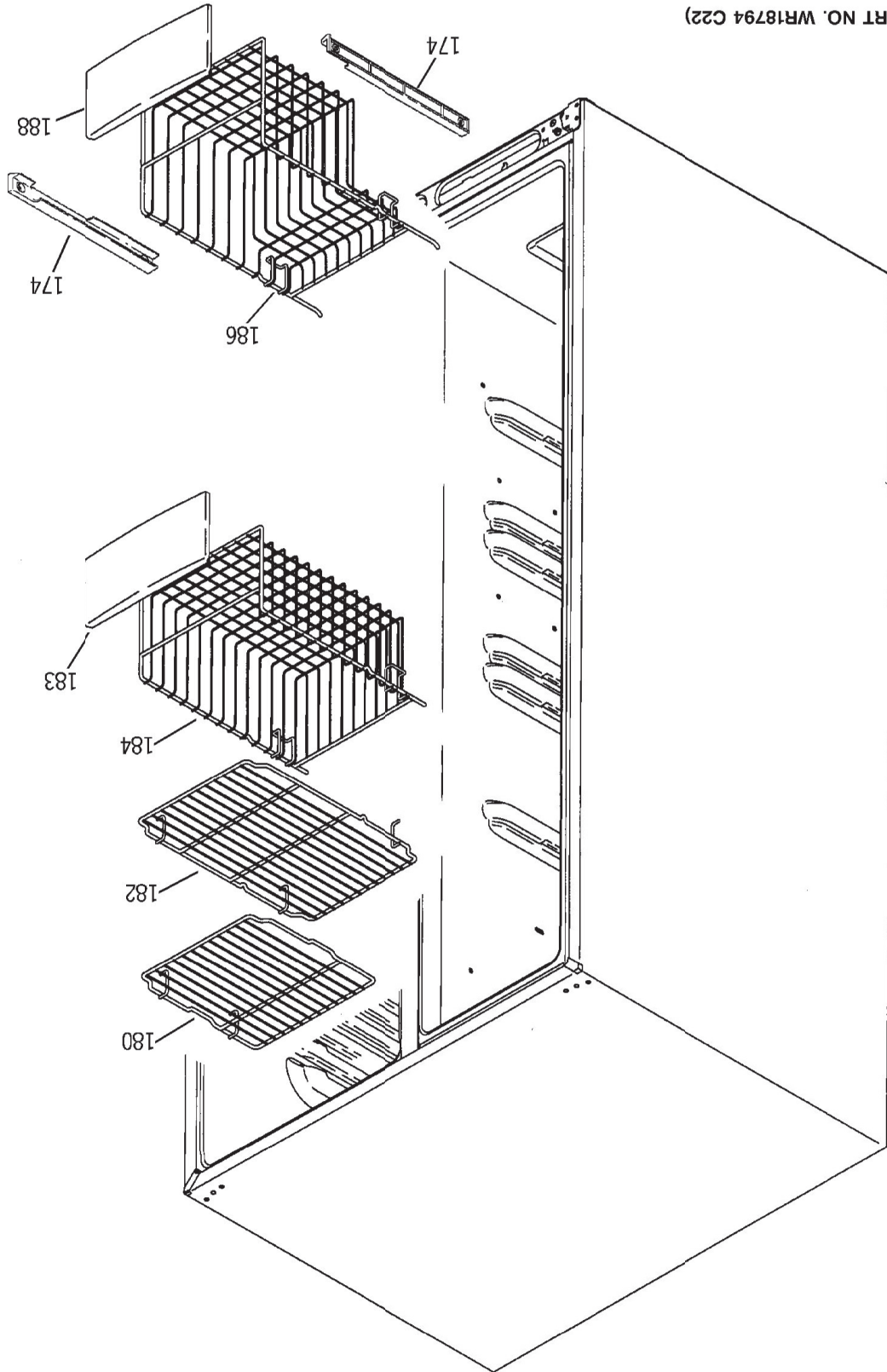
LOKRING® METHOD

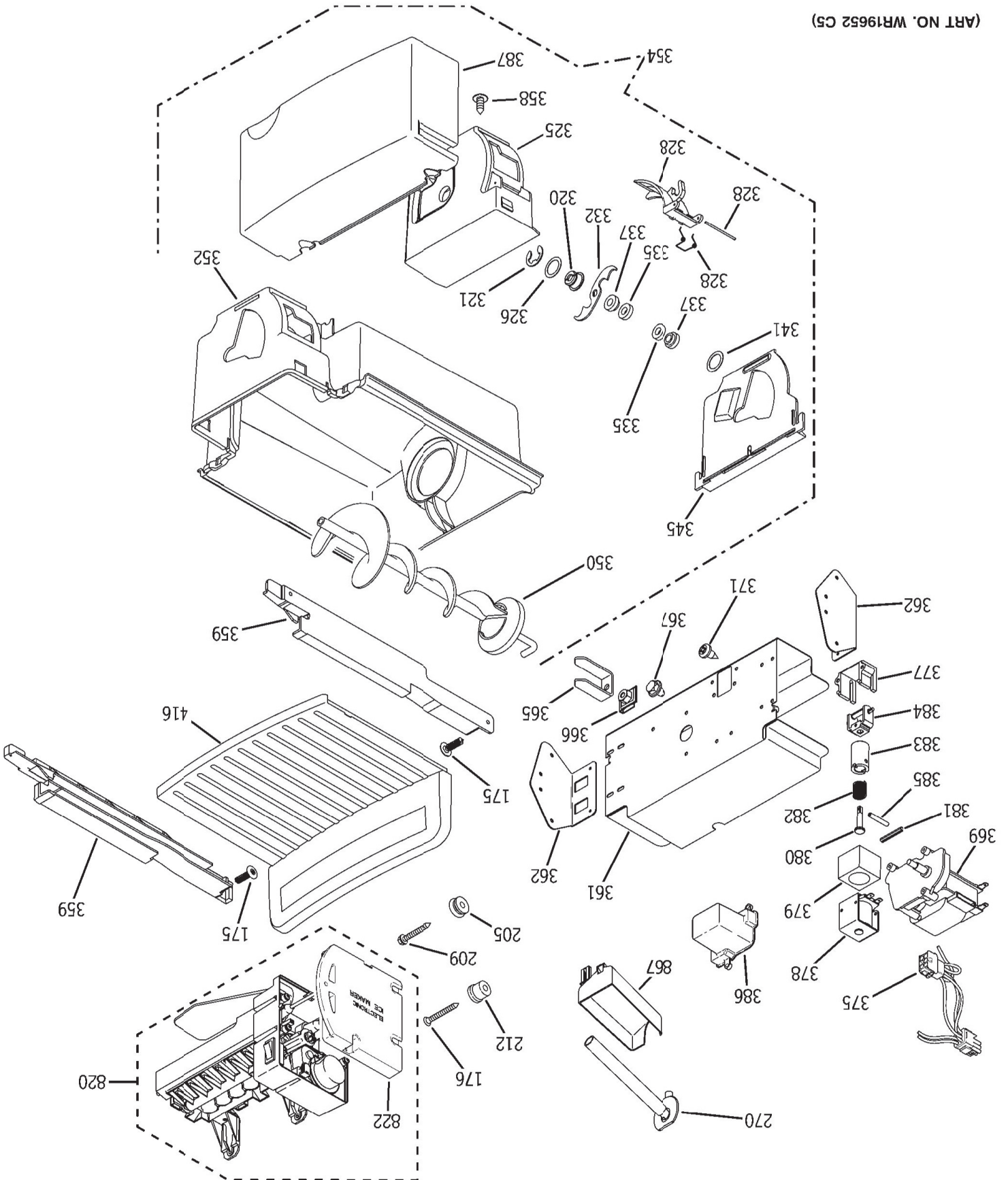


There are two approved evaporator replacement methods. The Lokring® method requires no brazing, by utilizing tight mechanical connections. The heat shield uses the traditional brazing method, but provides protection to the upper liner while brazing the evaporator connections in the freezer compartment. Always add a new filter drier when servicing the sealed system. Follow each step of the instructions included with the replacement evaporator.

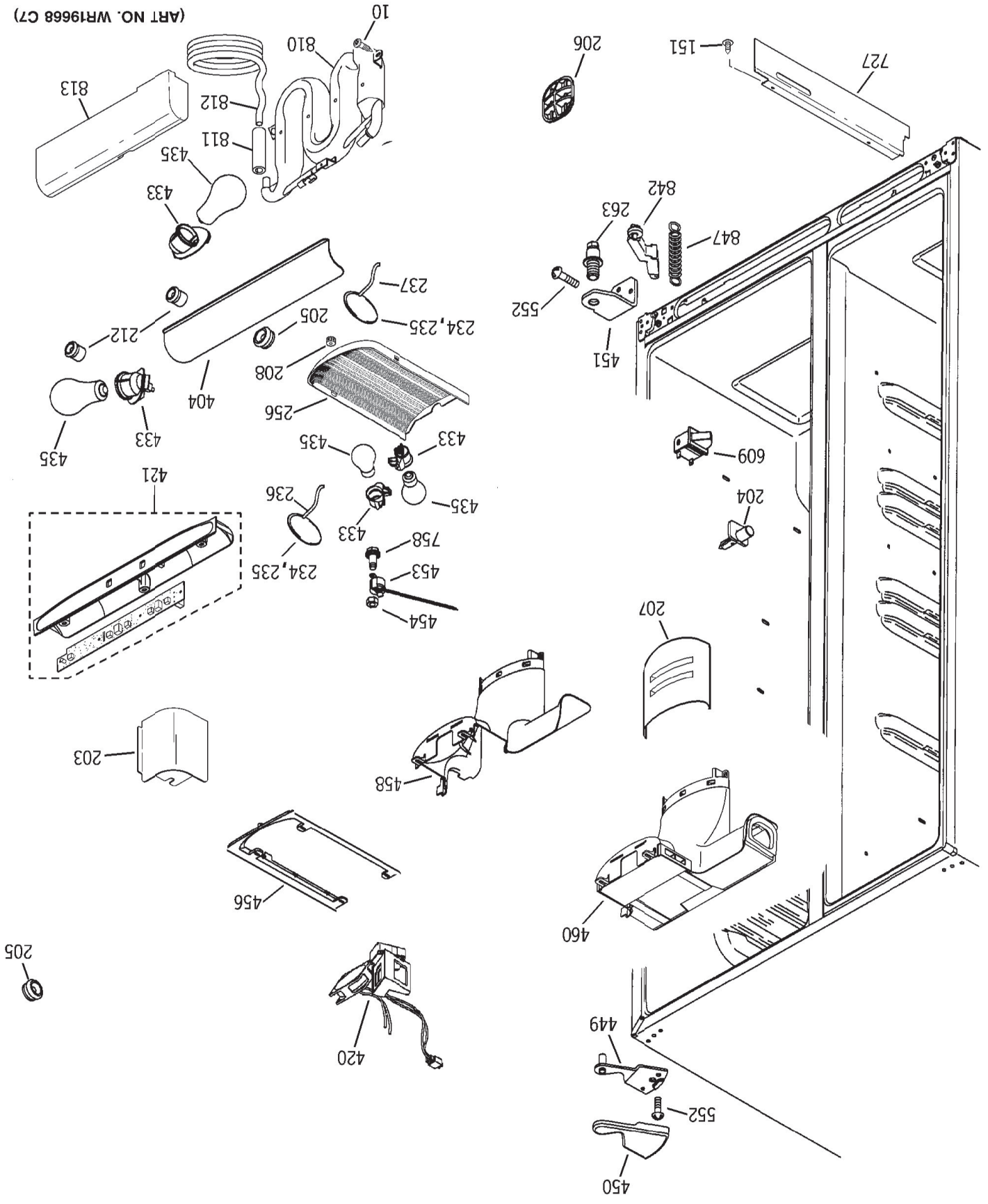


(ART NO. WR18794 C22)





(ART NO. WR19668 C7)



(ART NO. WR19651 C13)

